



US00D817735S

(12) **United States Design Patent**
Fitzsimmons

(10) **Patent No.:** **US D817,735 S**

(45) **Date of Patent:** **** May 15, 2018**

(54) **RETROFIT DISC FOR A VEHICLE SIDE WASHER**

(71) Applicant: **IWASH TECHNOLOGY LLC**,
Milwaukie, OR (US)

(72) Inventor: **Jeff R. Fitzsimmons**, Mulino, OR (US)

(73) Assignee: **IWASH TECHNOLOGY LLC**,
Milwaukie, OR (US)

(**) Term: **15 Years**

(21) Appl. No.: **29/592,739**

(22) Filed: **Feb. 1, 2017**

(51) **LOC (11) Cl.** **08-05**

(52) **U.S. Cl.**
USPC **D8/70**

(58) **Field of Classification Search**
USPC D8/70, 66, 20; D15/5, 138, 126;
D10/64; D32/5, 53, 4, 19; D25/11, 34;
D12/180; 474/152; 180/9.62, 193;
198/834; 305/199; 15/DIG. 2, 145, 53.3;
310/239; 83/835, 676, 698.41, 848, 855;
76/112, 115, 27
CPC .. F16H 55/30; F16H 55/171; F16H 2057/012;
F16H 55/17; A46B 15/0097; A46B
5/0095; B60S 3/06
See application file for complete search history.

(56) **References Cited**

U.S. PATENT DOCUMENTS

D437,762 S * 2/2001 Suzuki D8/70
D579,297 S * 10/2008 Jeiziner D8/70

D633,928 S * 3/2011 Nilsson D15/138
D651,874 S * 1/2012 Davidian D10/64
D697,778 S * 1/2014 Bozic D8/70
2002/0002892 A1* 1/2002 DiSabatino A01G 23/091
83/835
2002/0002971 A1* 1/2002 Spangenberg B23D 61/025
125/15
2002/0112589 A1* 8/2002 Lee B23D 61/026
83/835
2008/0017006 A1* 1/2008 Burke B23D 61/025
83/676

* cited by examiner

Primary Examiner — Cynthia Ramirez

Assistant Examiner — Gino Colan

(74) *Attorney, Agent, or Firm* — Renaissance IP Law
Group, LLP; David A. Crowther

(57) **CLAIM**

The ornamental design for a retrofit disc for a vehicle side washer, as shown and described.

DESCRIPTION

FIG. 1 is a top plan view of a retrofit disc for a vehicle side washer showing my new design, according to a first embodiment;

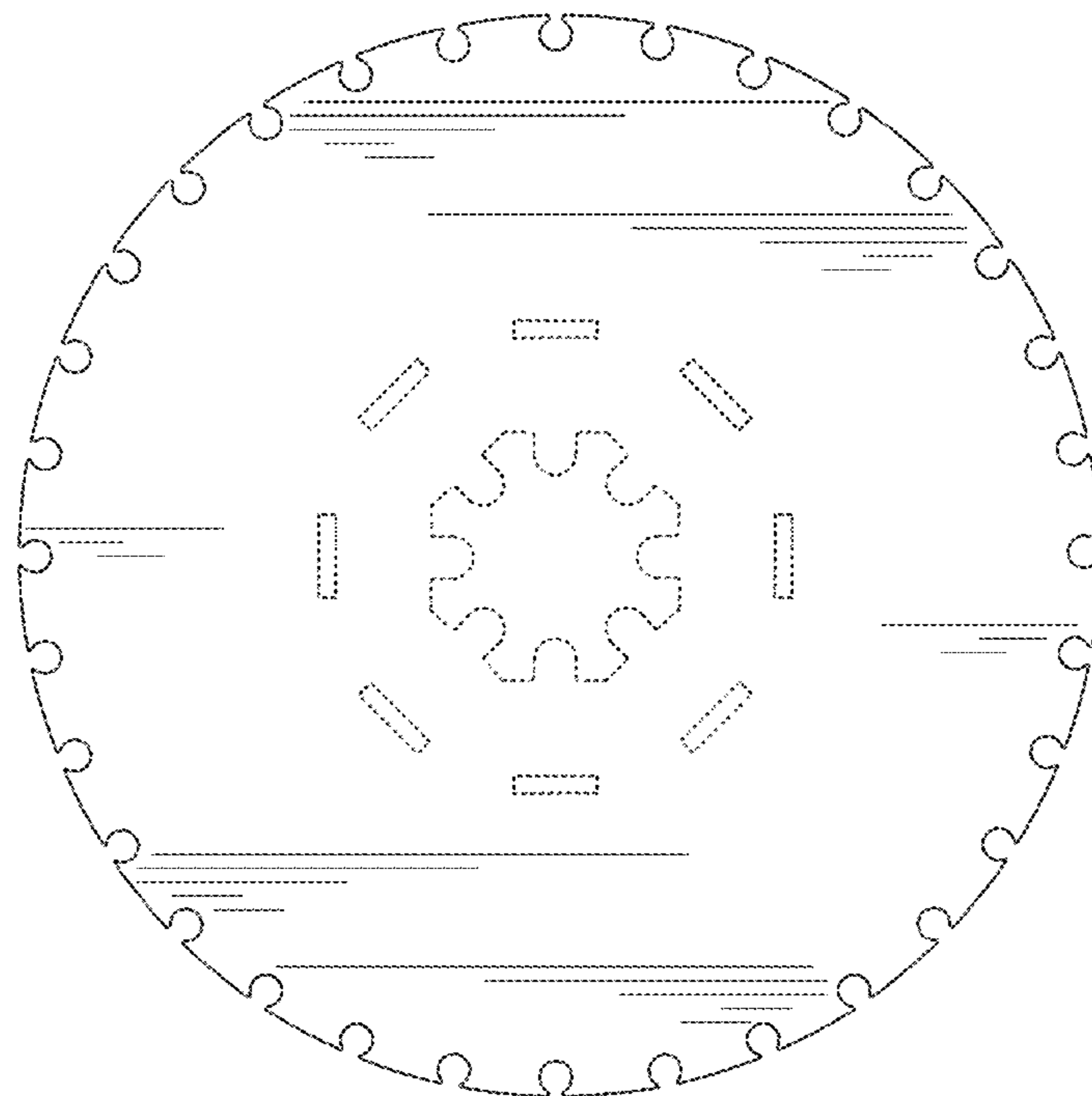
FIG. 2 is a side elevation view of FIG. 1, all the other sides being identical;

FIG. 3 is a top plan view of a retrofit disc for the vehicle side washer showing my new design, according to a second embodiment; and,

FIG. 4 is a side elevation view of FIG. 3, all the other sides being identical.

The broken lines illustrate portions of the retrofit disc for a vehicle side washer and form no part of the claimed design.

1 Claim, 2 Drawing Sheets



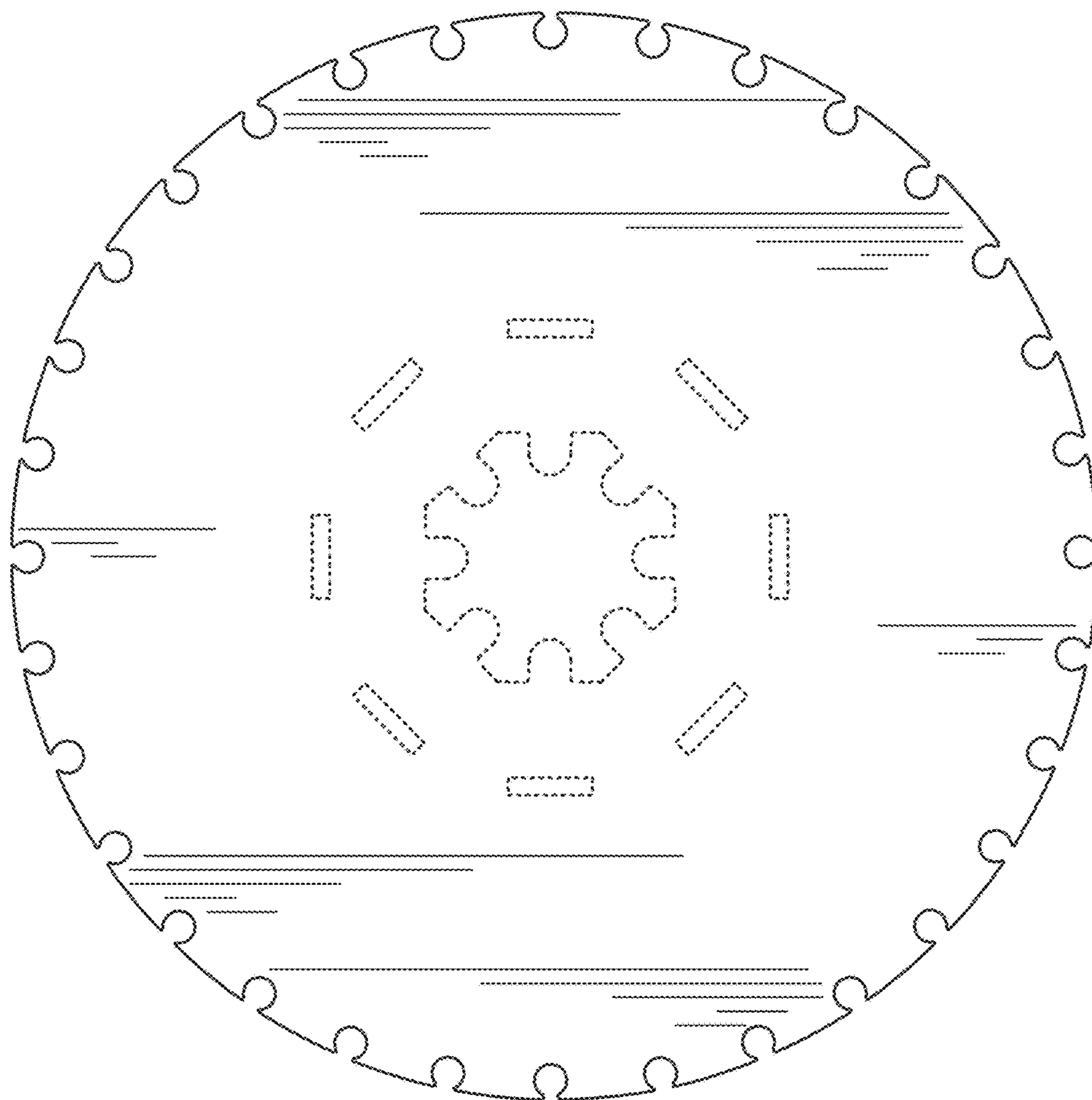


FIG. 1

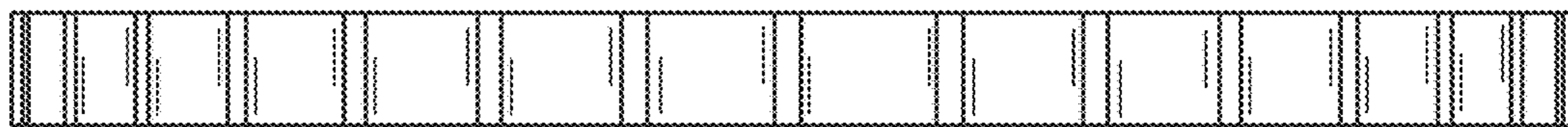


FIG. 2

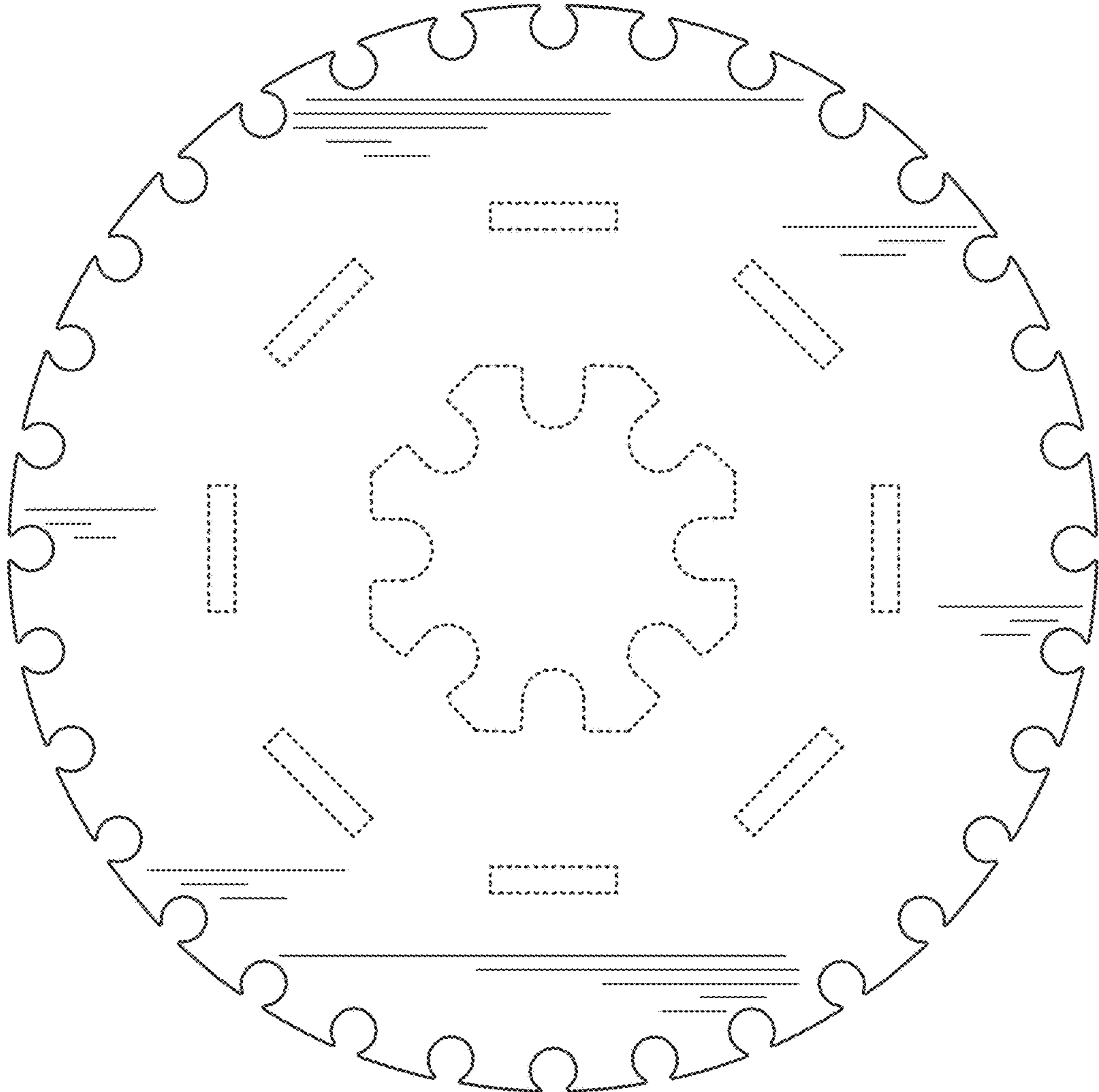


FIG. 3

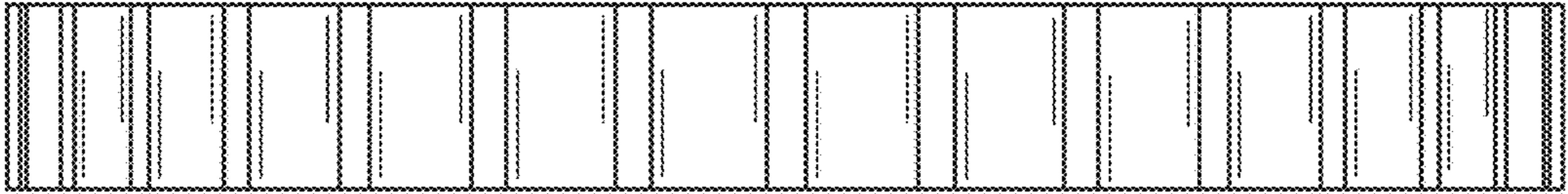


FIG. 4