



US00D817733S

(12) **United States Design Patent**  
**Ma**

(10) **Patent No.:** **US D817,733 S**

(45) **Date of Patent:** **\*\* May 15, 2018**

(54) **BOTTLE OPENER**

(71) Applicant: **Lifang Ma**, Huainan (CN)

(72) Inventor: **Lifang Ma**, Huainan (CN)

(73) Assignee: **Shenzhen Piskay Technology Co., LTD.**, Shenzhen, Guangdong (CN)

(\*\*) Term: **15 Years**

(21) Appl. No.: **29/565,076**

(22) Filed: **May 18, 2016**

(51) **LOC (11) Cl.** ..... **07-06**

(52) **U.S. Cl.**  
USPC ..... **D8/42**

(58) **Field of Classification Search**  
USPC ..... D8/14, 16, 18, 19, 33-43, 98, 88, 89,  
D8/107, 300, 301, 306-309, DIG. 10  
CPC .... B67B 7/00; B67B 7/04; B67B 7/14; B67B  
7/16; B67B 7/18; B67B 7/20; B67B 7/24;  
B67B 7/30; B67B 7/34; B67B 7/36;  
B67B 7/44  
See application file for complete search history.

(56) **References Cited**

**U.S. PATENT DOCUMENTS**

4,253,351	A	*	3/1981	Allen	.....	B67B 7/0441	81/3.29
D430,994	S	*	9/2000	Kilduff	.....	D8/39	
D441,265	S	*	5/2001	Kilduff	.....	B67B 7/0447	D8/39
D442,043	S	*	5/2001	Kao	.....	D8/33	
D442,045	S	*	5/2001	Kilduff	.....	B67B 7/0447	D8/39
D444,045	S	*	6/2001	Kay	.....	D8/39	

D446,098	S	*	8/2001	Kilduff	.....	B67B 7/0447	D8/39
D446,702	S	*	8/2001	Kilduff	.....	B67B 7/0447	D8/39
6,357,322	B1	*	3/2002	Dolan	.....	B67B 7/0447	81/3.29
D455,058	S	*	4/2002	Stirling	.....	D8/39	
D464,241	S	*	10/2002	Sun	.....	D8/39	
D465,710	S	*	11/2002	Kao	.....	D8/39	
D466,383	S	*	12/2002	Kehoe	.....	D8/39	
D467,141	S	*	12/2002	Li	.....	D8/39	
D467,142	S	*	12/2002	Li	.....	D8/39	
D467,143	S	*	12/2002	Kehoe	.....	D8/39	
D467,479	S	*	12/2002	Li	.....	D8/39	
D468,602	S	*	1/2003	Yu	.....	D8/39	
D471,777	S	*	3/2003	Yu	.....	D8/39	
D472,118	S	*	3/2003	Kehoe	.....	D8/39	
D476,206	S	*	6/2003	Kushner	.....	D8/39	
D476,541	S	*	7/2003	Kushner	.....	D8/39	
D477,973	S	*	8/2003	Yu	.....	D8/39	
D531,468	S	*	11/2006	Geringer	.....	D8/39	

\* cited by examiner

*Primary Examiner* — Elizabeth Albert

(57) **CLAIM**

The ornamental design for a bottle opener, as shown and described.

**DESCRIPTION**

FIG. 1 is a perspective view of a bottle opener showing my new design;

FIG. 2 is a right side elevational view thereof;

FIG. 3 is a left side elevational view thereof;

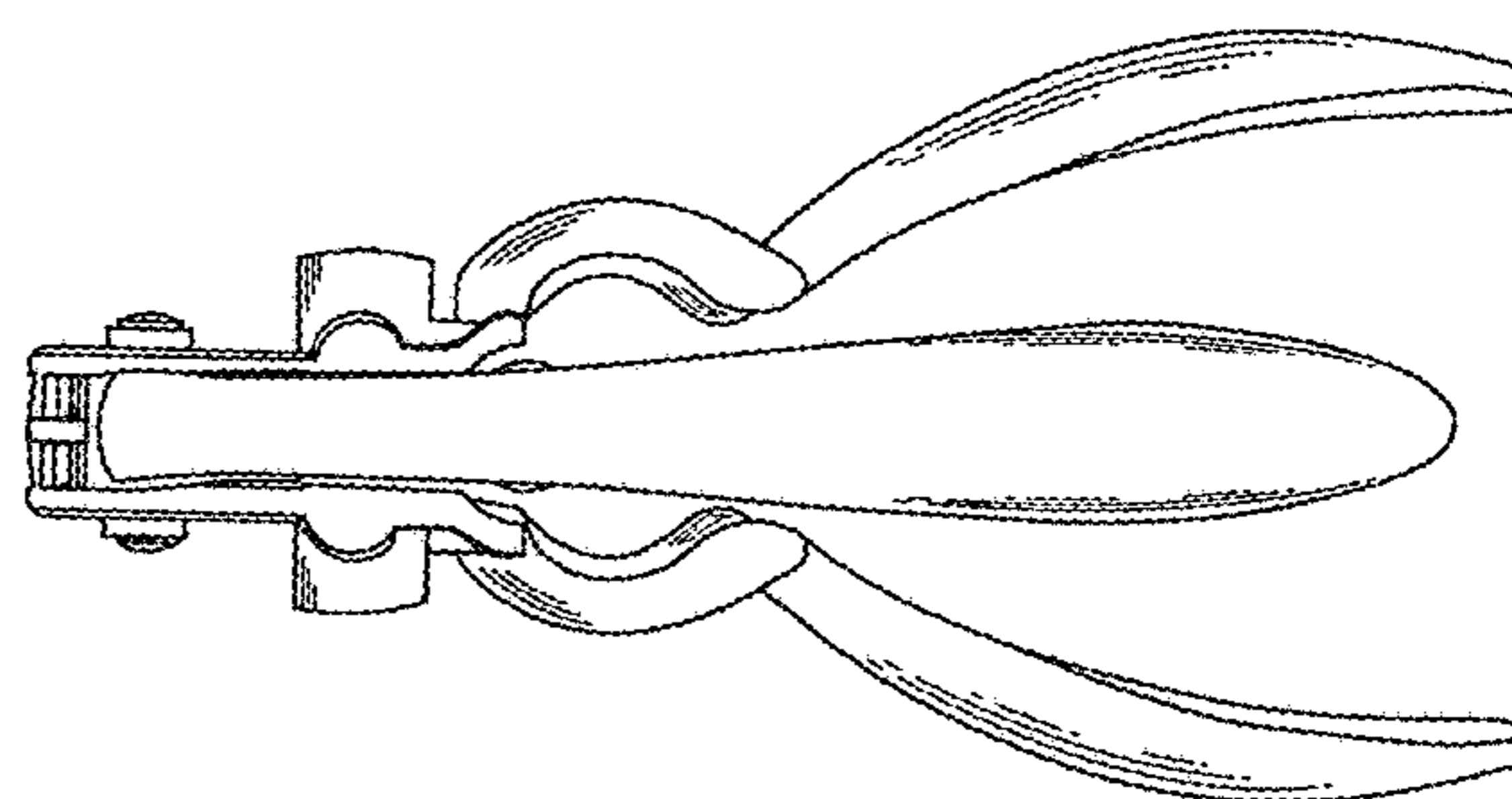
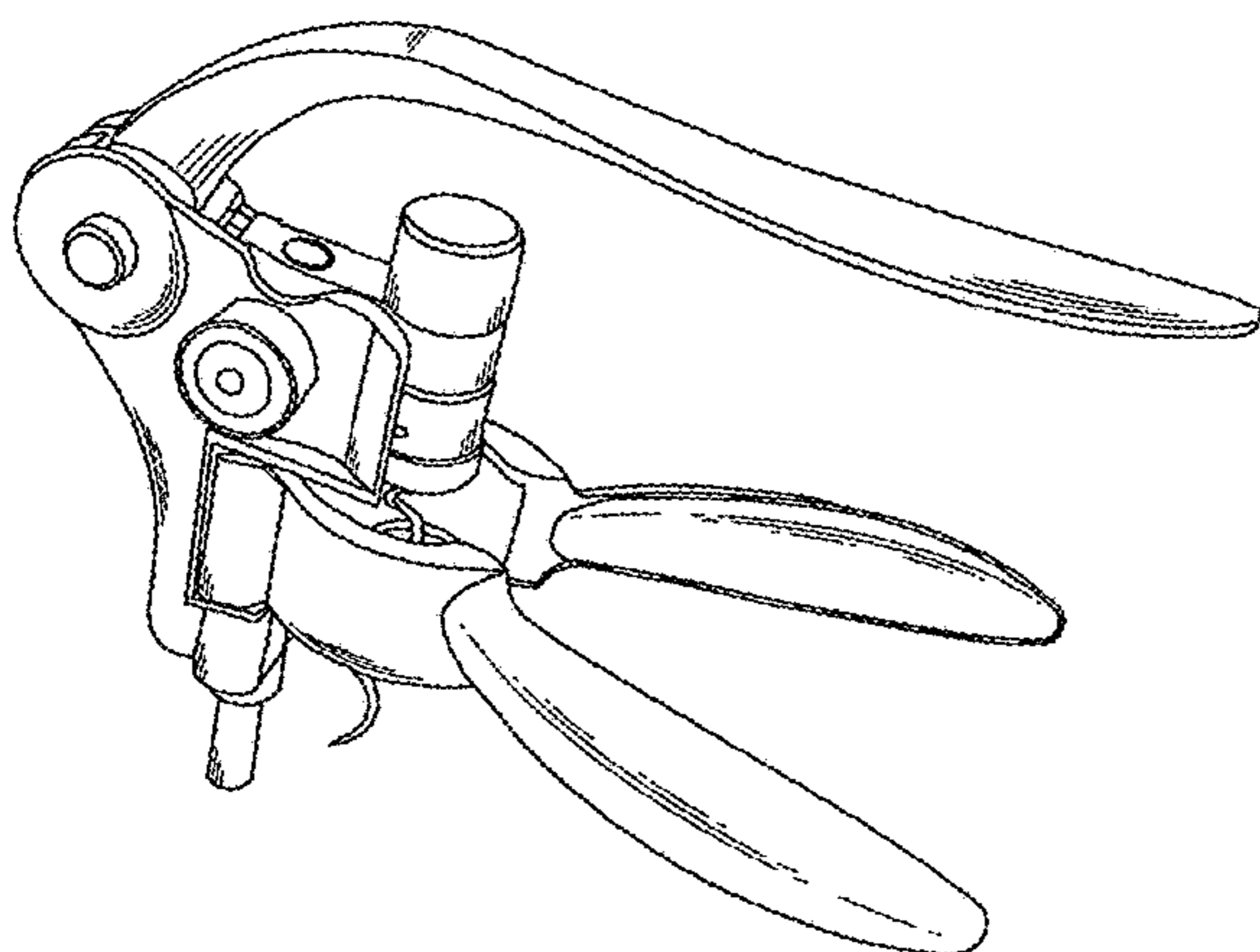
FIG. 4 is a front elevational view thereof;

FIG. 5 is a rear elevational view thereof;

FIG. 6 is a bottom plan view thereof; and,

FIG. 7 is a top plan view thereof.

**1 Claim, 7 Drawing Sheets**



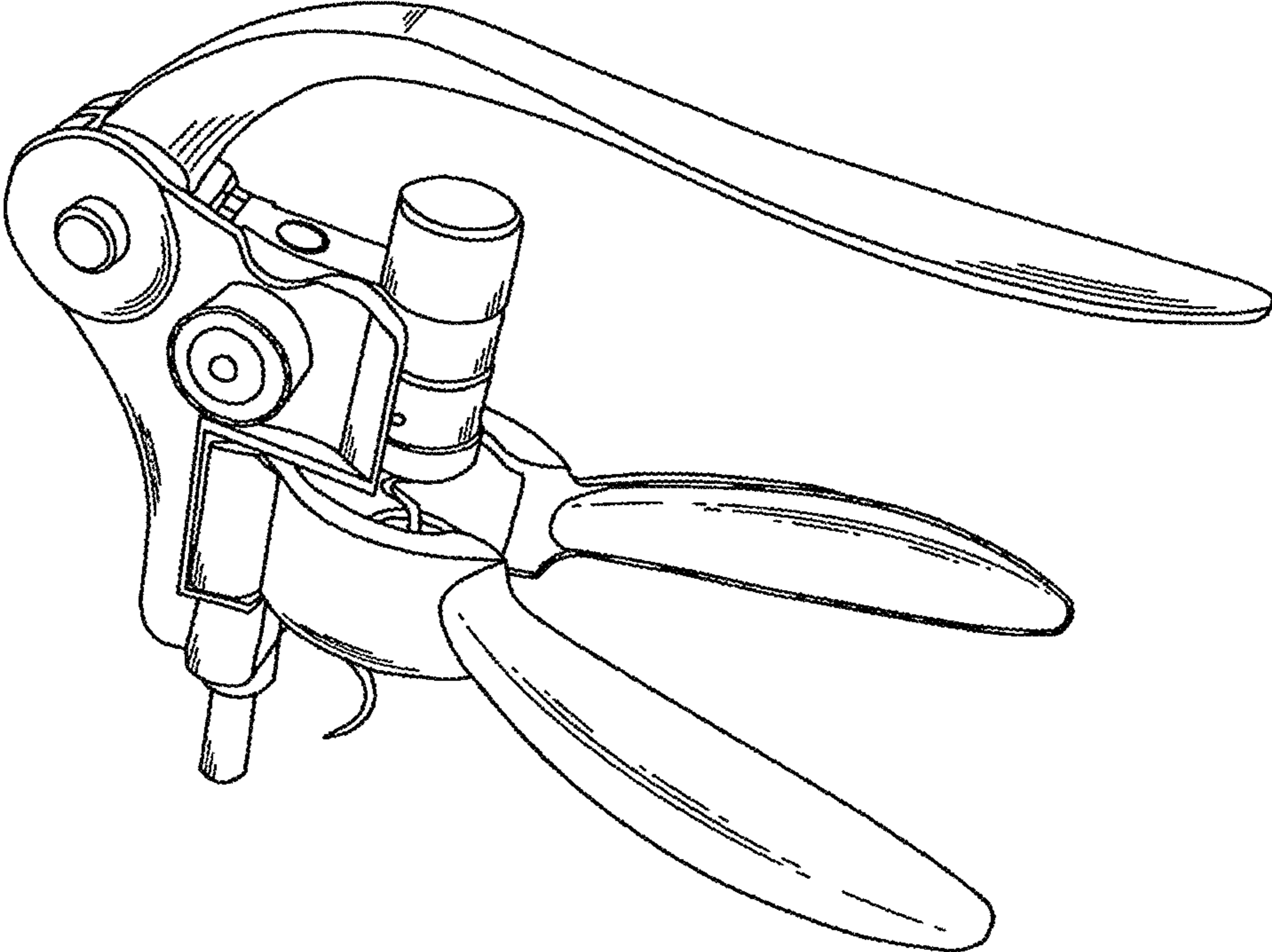


FIG.1

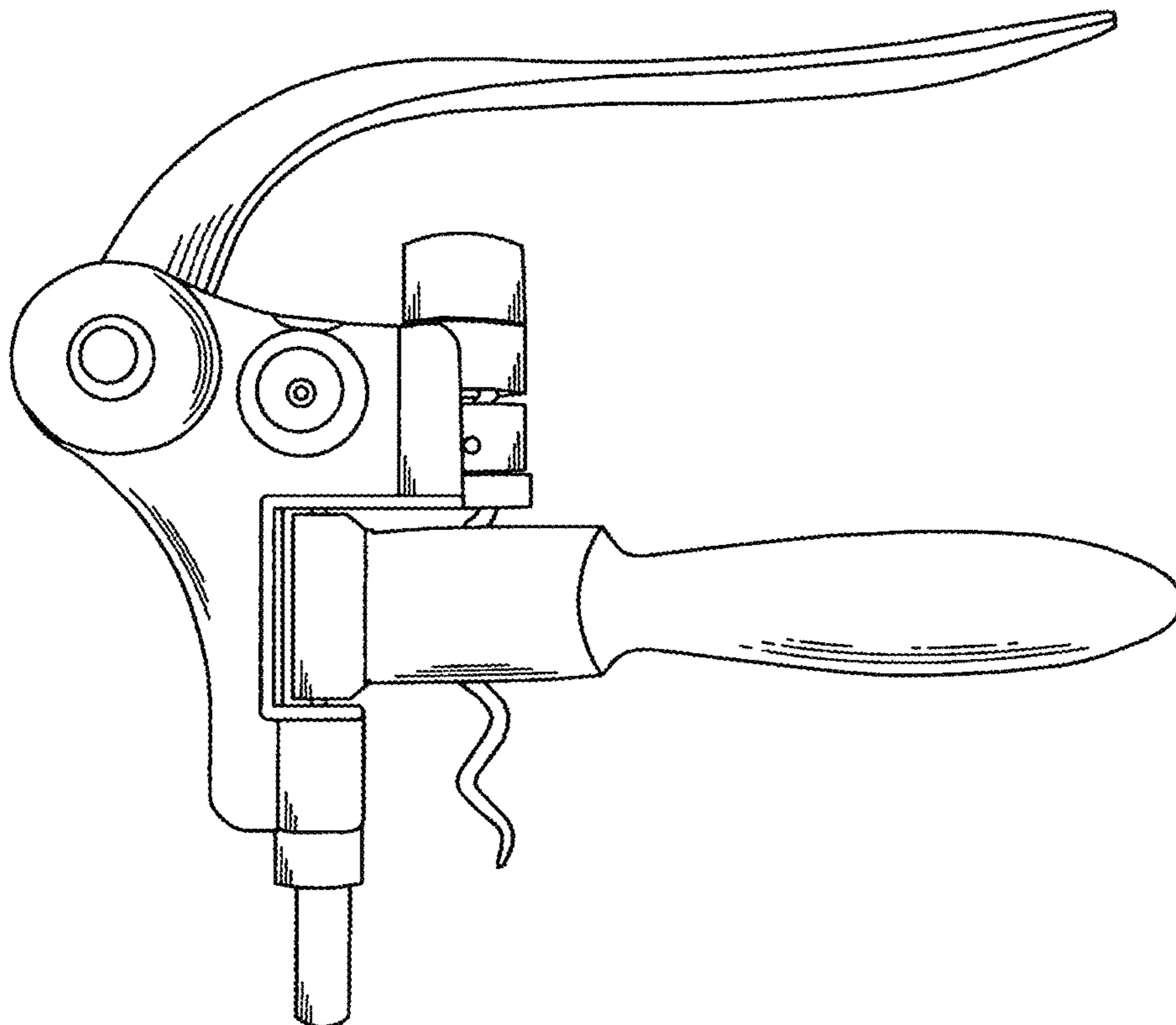


FIG.2

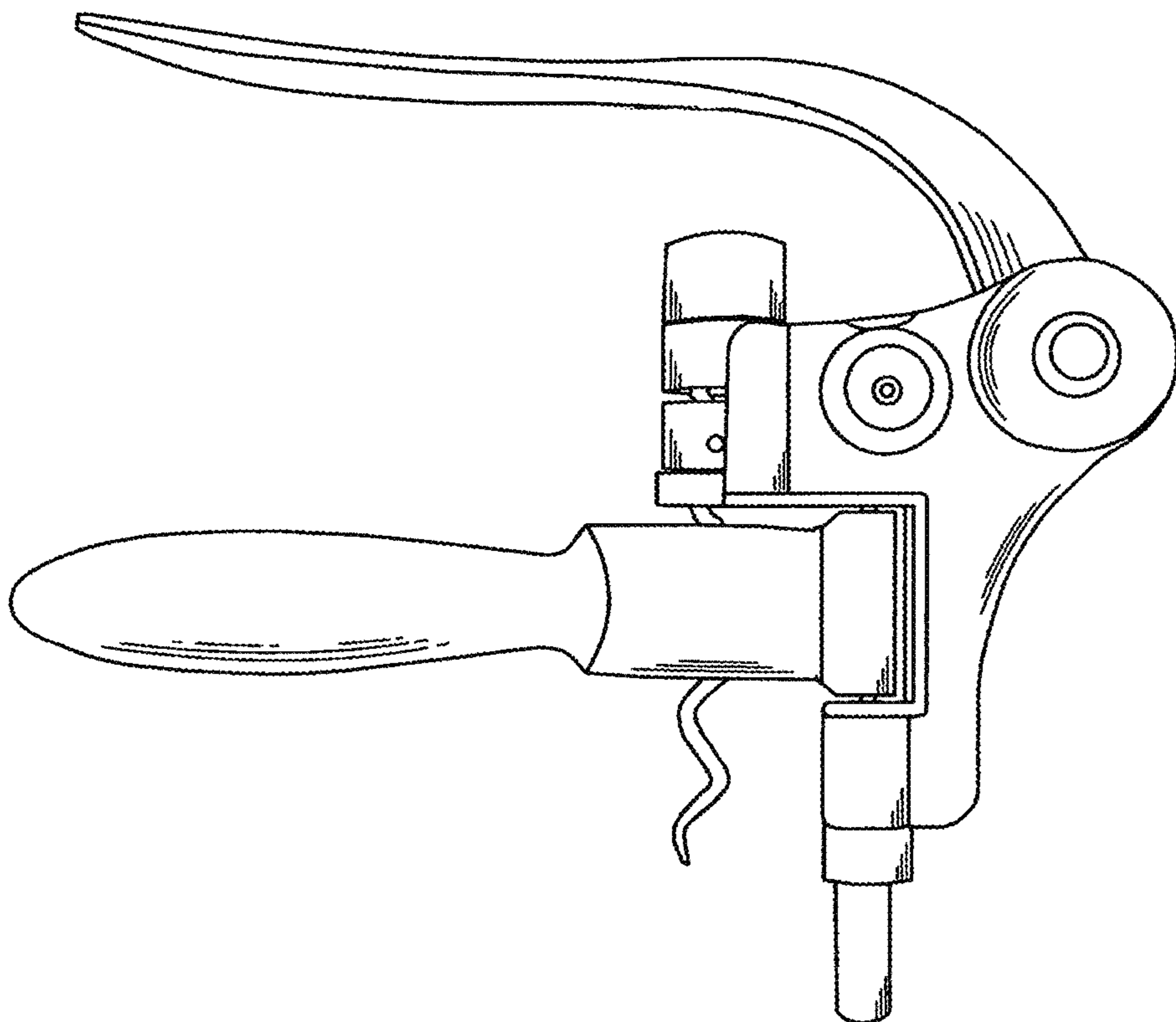


FIG.3

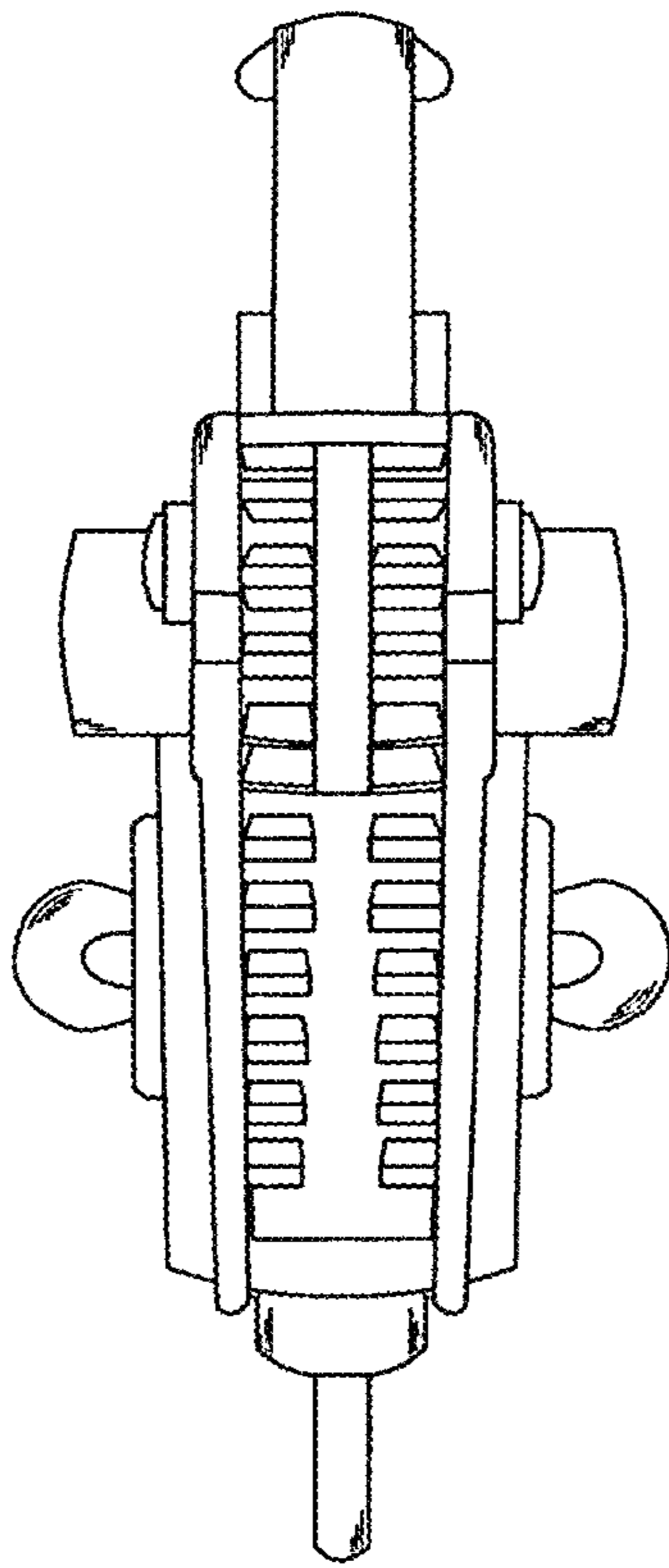


FIG.4

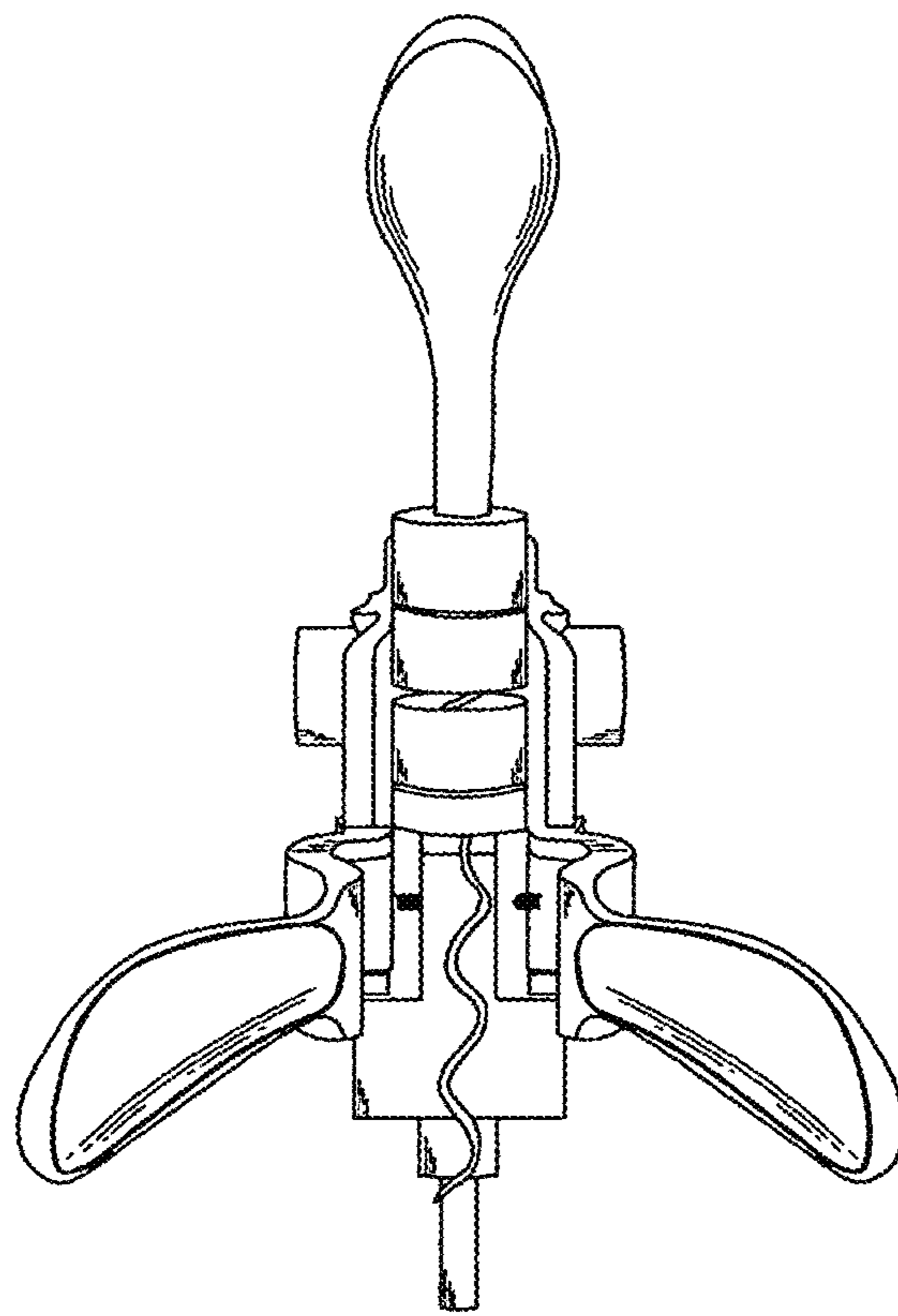


FIG.5

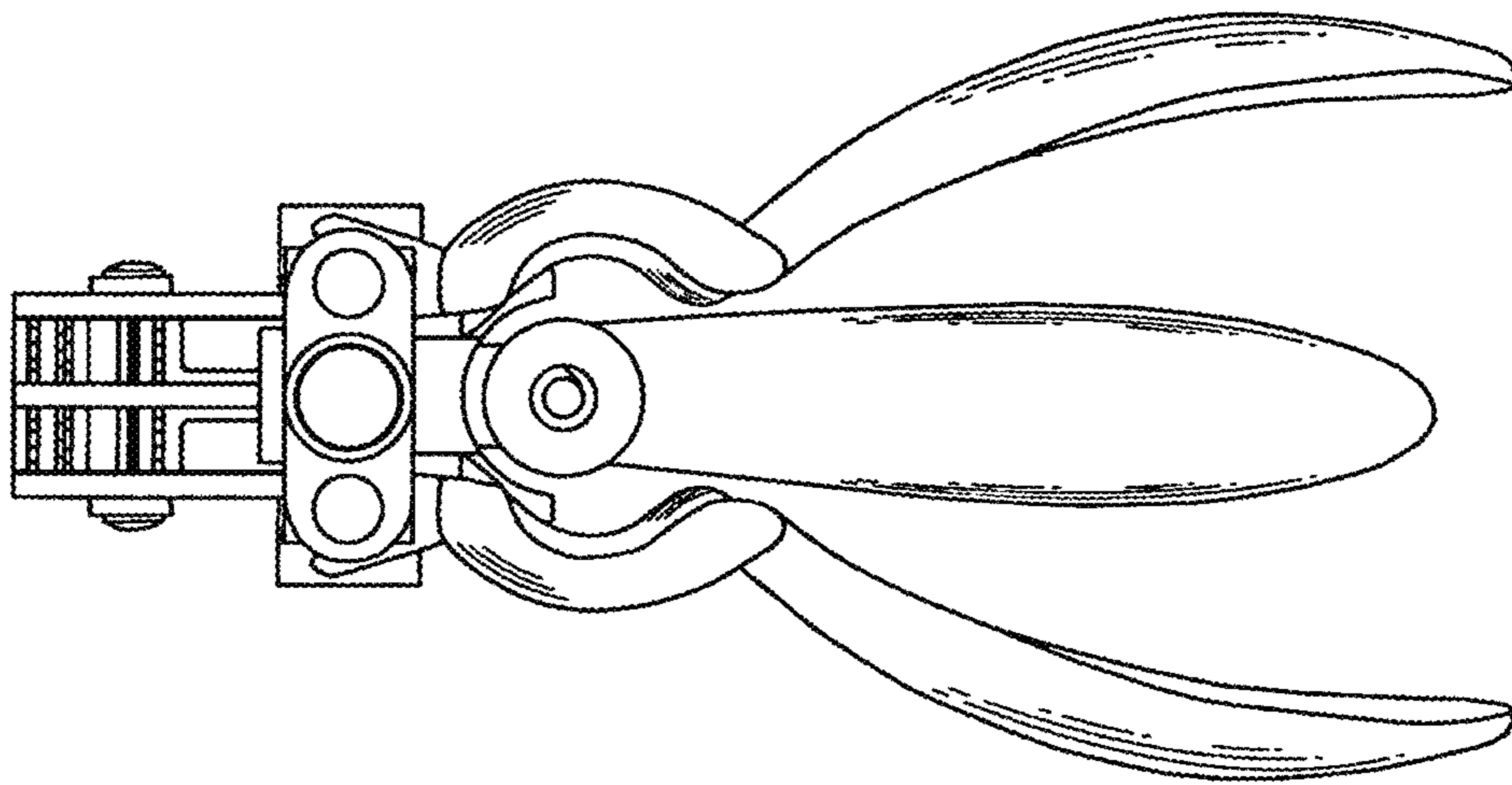


FIG.6

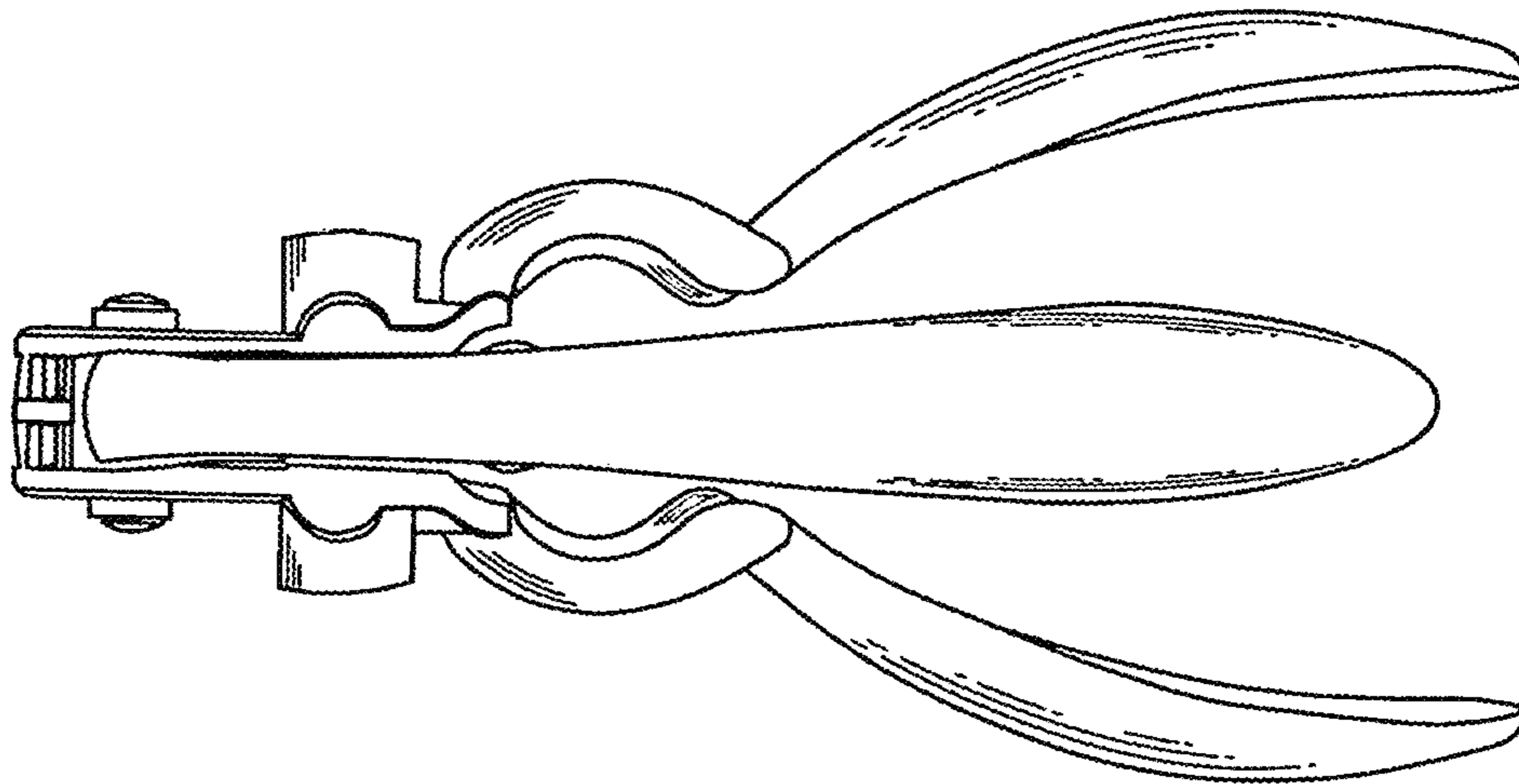


FIG.7



UNITED STATES PATENT AND TRADEMARK OFFICE  
**CERTIFICATE OF CORRECTION**

PATENT NO. : D817,733 S  
APPLICATION NO. : 29/565076  
DATED : May 15, 2018  
INVENTOR(S) : Lifang Ma

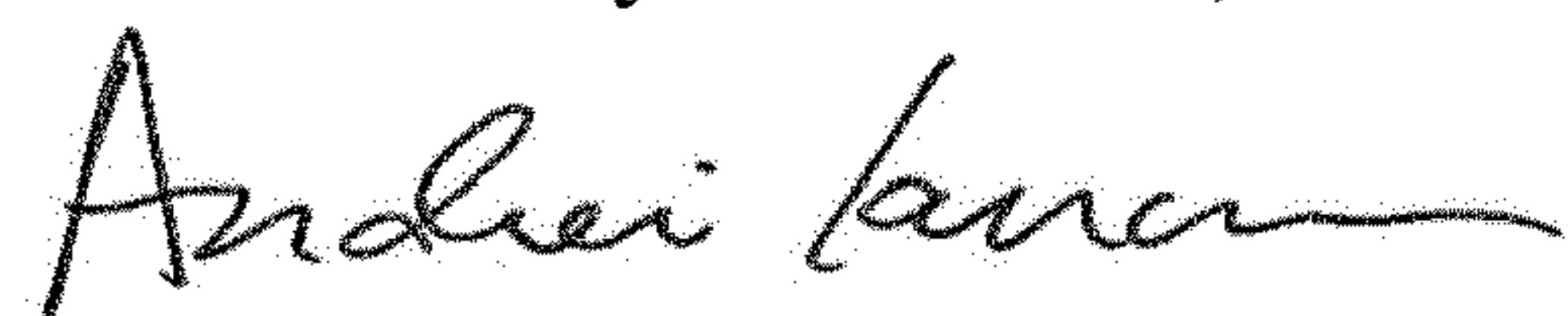
Page 1 of 1

It is certified that error appears in the above-identified patent and that said Letters Patent is hereby corrected as shown below:

On the Title Page

Item (73), Column 1, in "Assignee", Line 1, delete "Piskay" and insert -- Yiskay --, therefor.

Signed and Sealed this  
Second Day of October, 2018



Andrei Iancu  
*Director of the United States Patent and Trademark Office*