



US00D817729S

(12) **United States Design Patent** (10) **Patent No.:** **US D817,729 S**  
**Pendlebury** (45) **Date of Patent:** **\*\* May 15, 2018**

(54) **REVERSIBLE RAKE** 7,222,900 B1 \* 5/2007 Berto ..... A01D 9/00  
209/417  
(71) Applicant: **John Pendlebury**, Bellingham, MA D584,583 S \* 1/2009 Burks ..... D8/13  
(US) 7,510,225 B1 \* 3/2009 Stinnett ..... A01D 9/00  
15/405  
(72) Inventor: **John Pendlebury**, Bellingham, MA D600,519 S \* 9/2009 Walker ..... D8/13  
(US) 2008/0042457 A1 \* 2/2008 Berto ..... A01D 9/00  
294/55.5

(\*\*) Term: **15 Years**

\* cited by examiner

(21) Appl. No.: **29/592,139**

*Primary Examiner* — Sheryl Lane

(22) Filed: **Jan. 27, 2017**

(74) *Attorney, Agent, or Firm* — Daniel N. Smith

(51) **LOC (11) Cl.** ..... **08-01**

(57) **CLAIM**

(52) **U.S. Cl.**  
USPC ..... **D8/1**

The ornamental design for a reversible rake, as shown and described.

(58) **Field of Classification Search**  
USPC ..... D8/1, 13, 14  
CPC .. A01B 1/20; A01B 1/06; A01B 1/227; B25G  
1/00; A01D 11/06; A01D 9/00; A01D  
7/10; Y10T 403/7005; Y10T 403/46;  
A01K 1/0114; A01K 1/01  
See application file for complete search history.

**DESCRIPTION**

FIG. 1 illustrates an isometric top view of a reversible rake showing my new design;  
FIG. 2 illustrates a top view thereof;  
FIG. 3 illustrates a bottom side view thereof;  
FIG. 4 illustrates a left side view thereof;  
FIG. 5 illustrates a right side view thereof;  
FIG. 6 illustrates a front view thereof; and,  
FIG. 7 illustrates a rear view thereof.

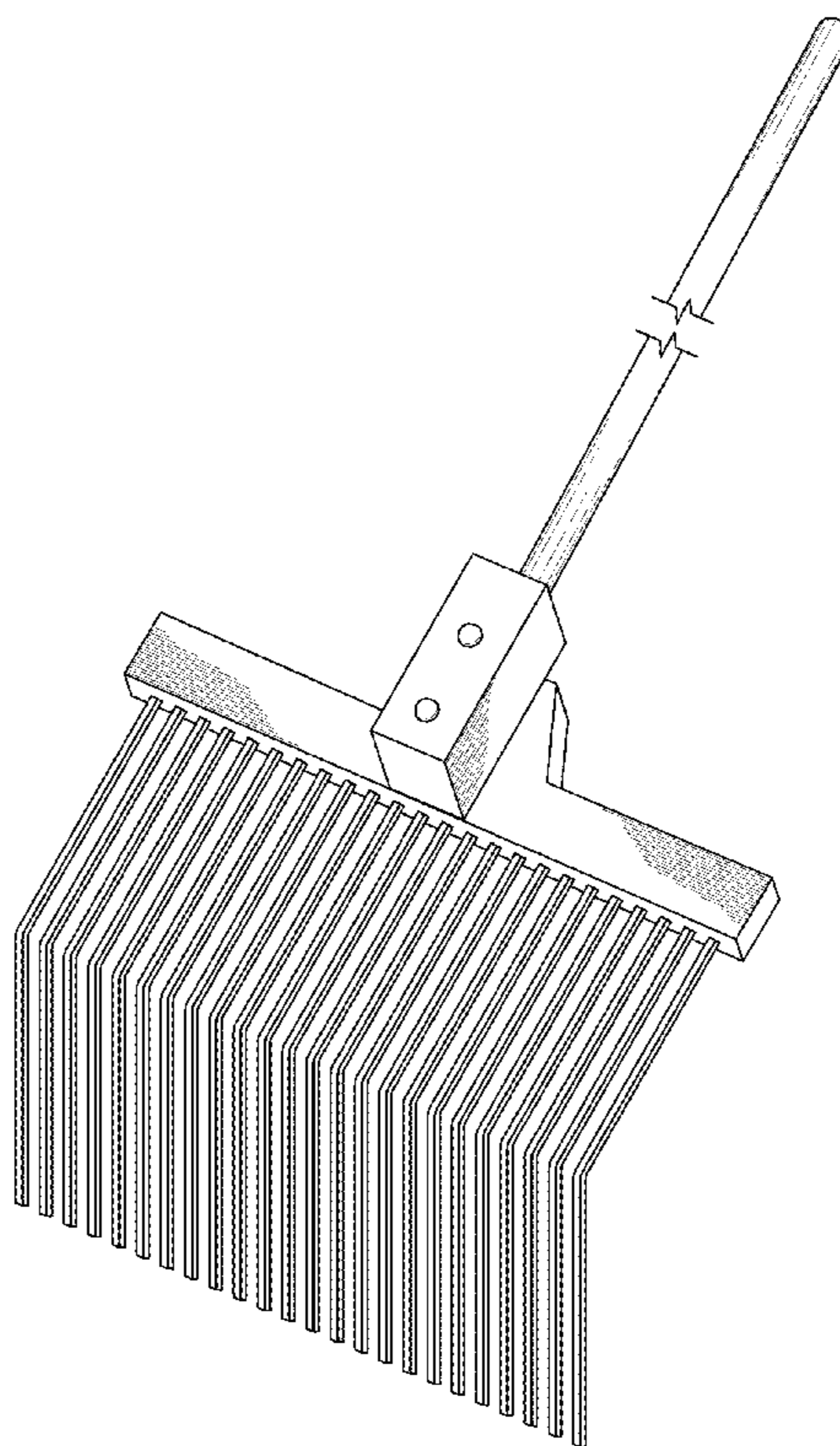
The handle of the rake is shown with a symbolic break. Any portions shown between the break lines form no part of the claimed design.

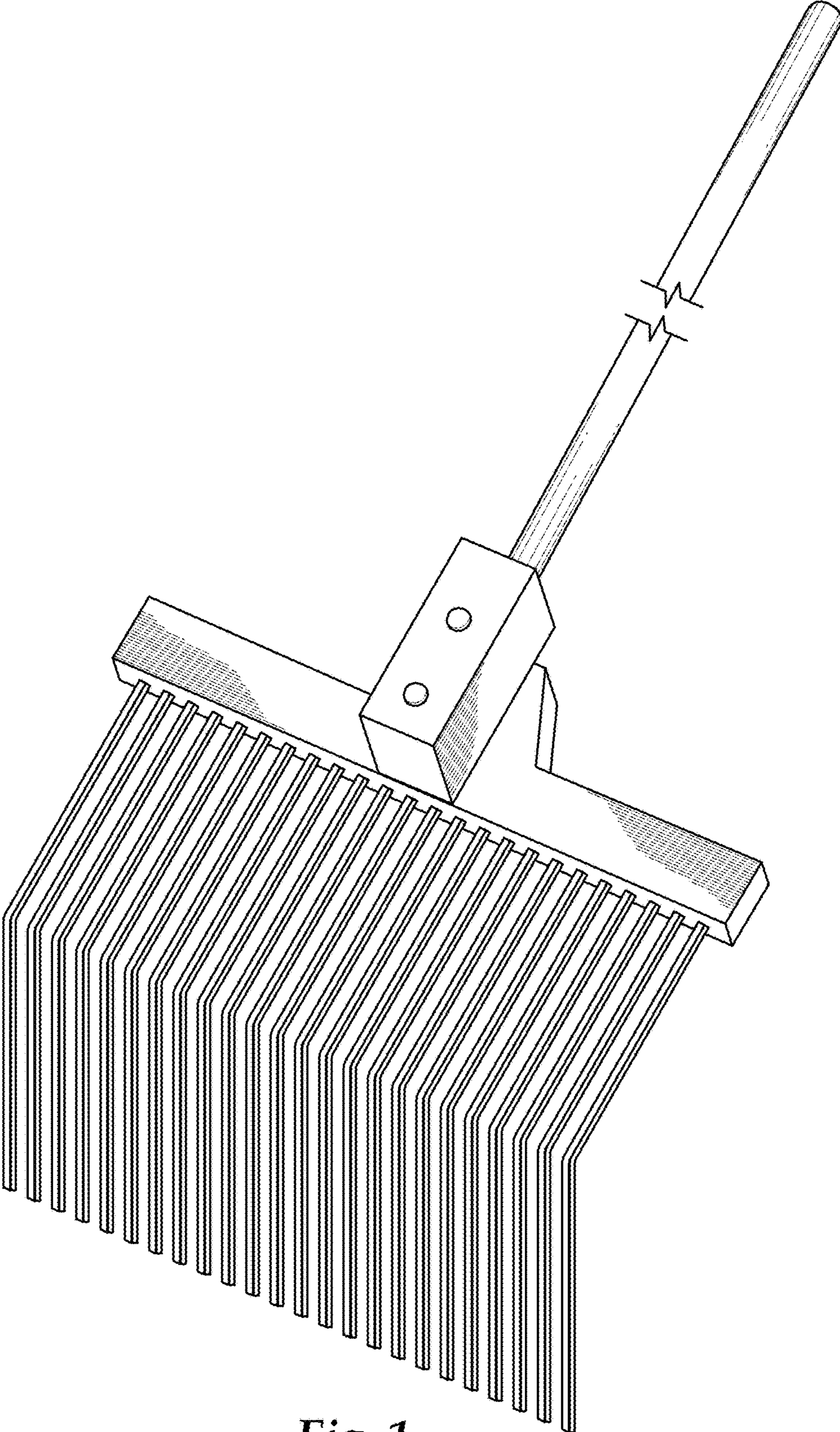
(56) **References Cited**

**U.S. PATENT DOCUMENTS**

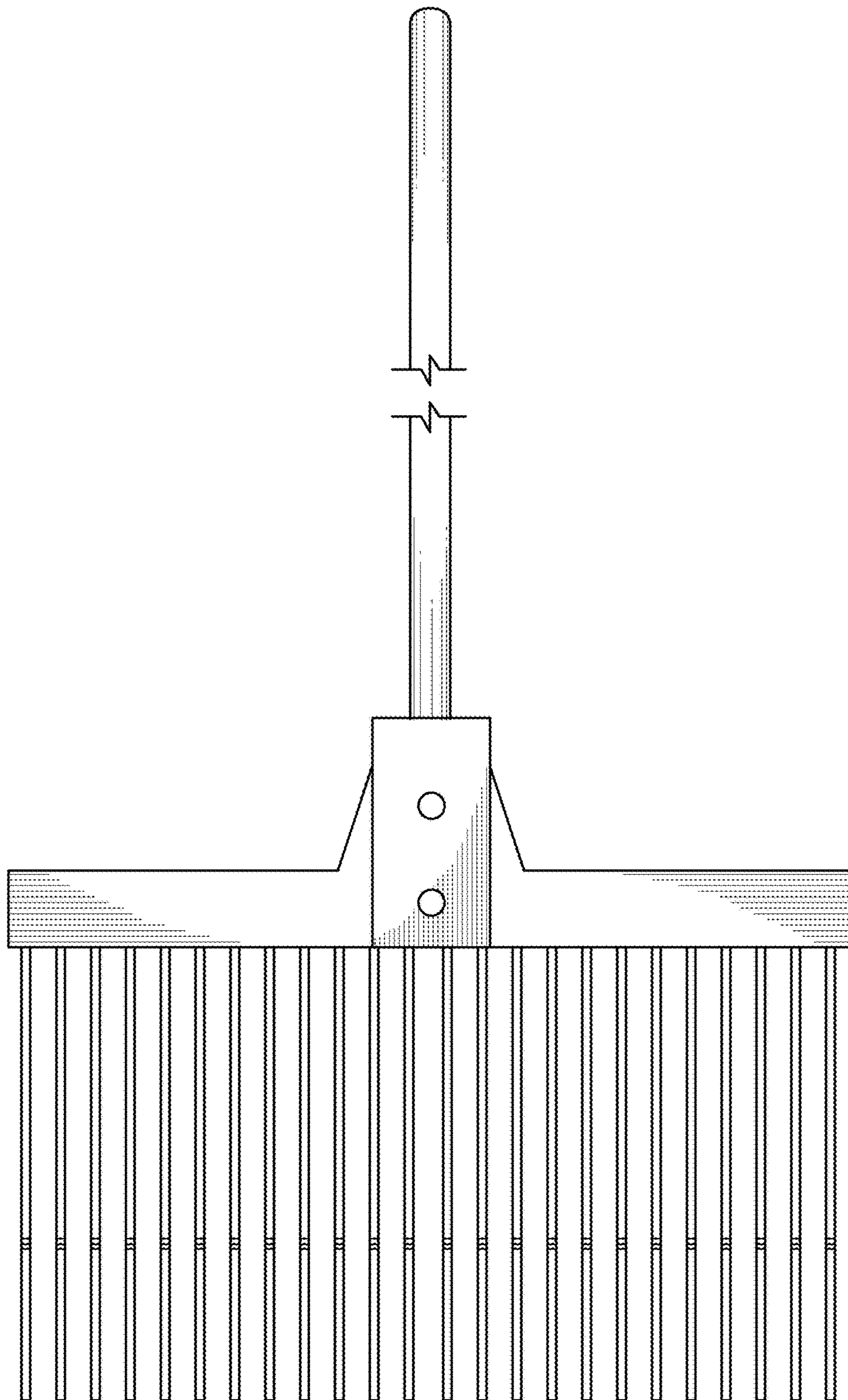
D271,936 S \* 12/1983 Fyffe ..... D8/13  
D319,953 S \* 9/1991 Machak ..... D8/14  
5,799,998 A \* 9/1998 Gitterman ..... A01K 1/01  
294/51  
6,494,514 B1 \* 12/2002 Stinnett ..... A01D 9/00  
15/405

**1 Claim, 5 Drawing Sheets**

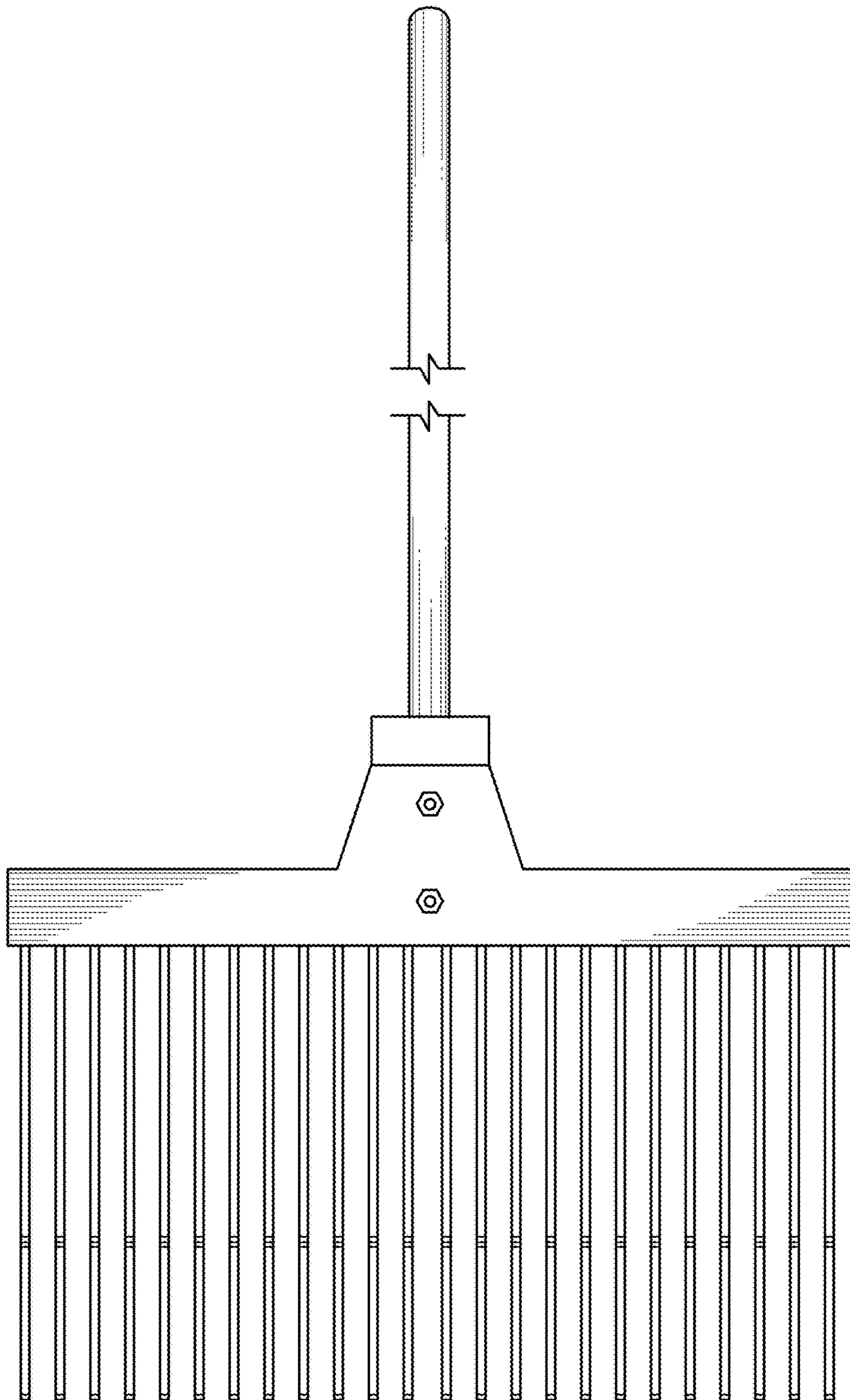




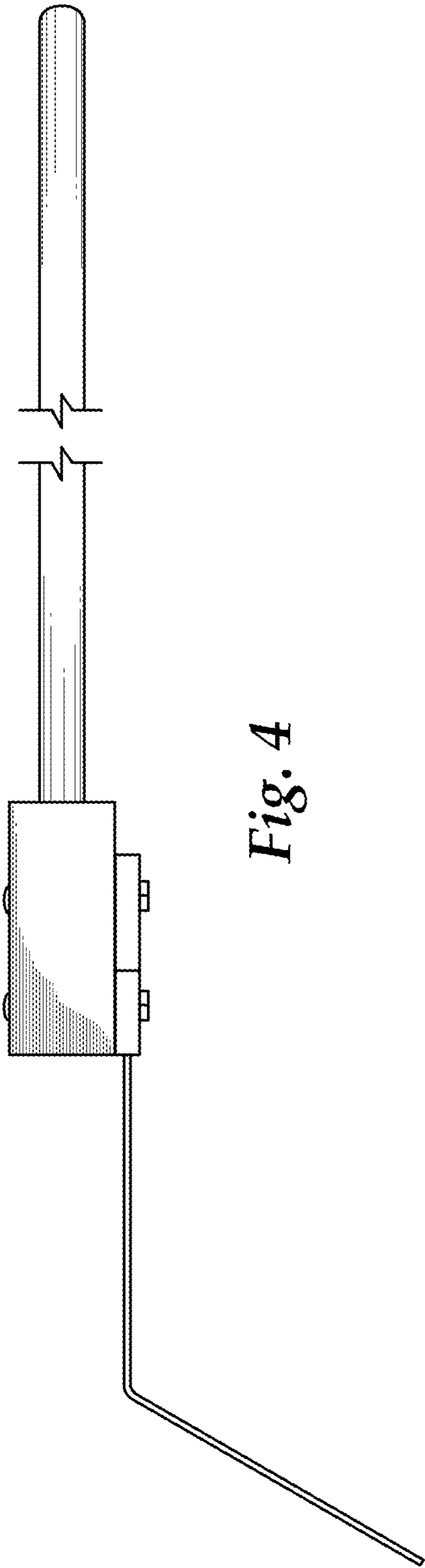
*Fig. 1*



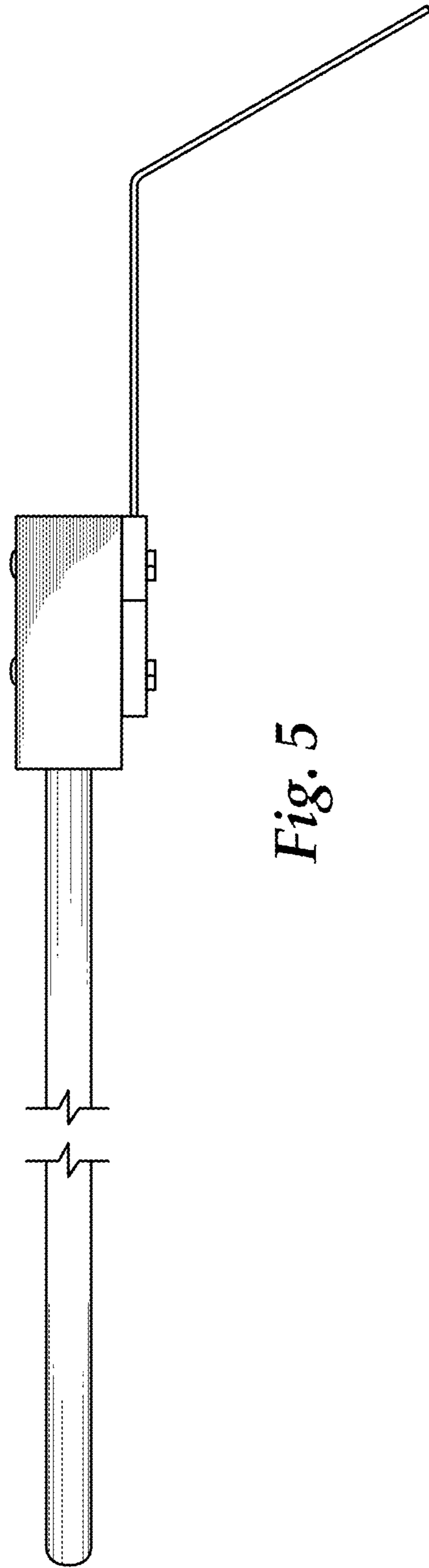
*Fig. 2*



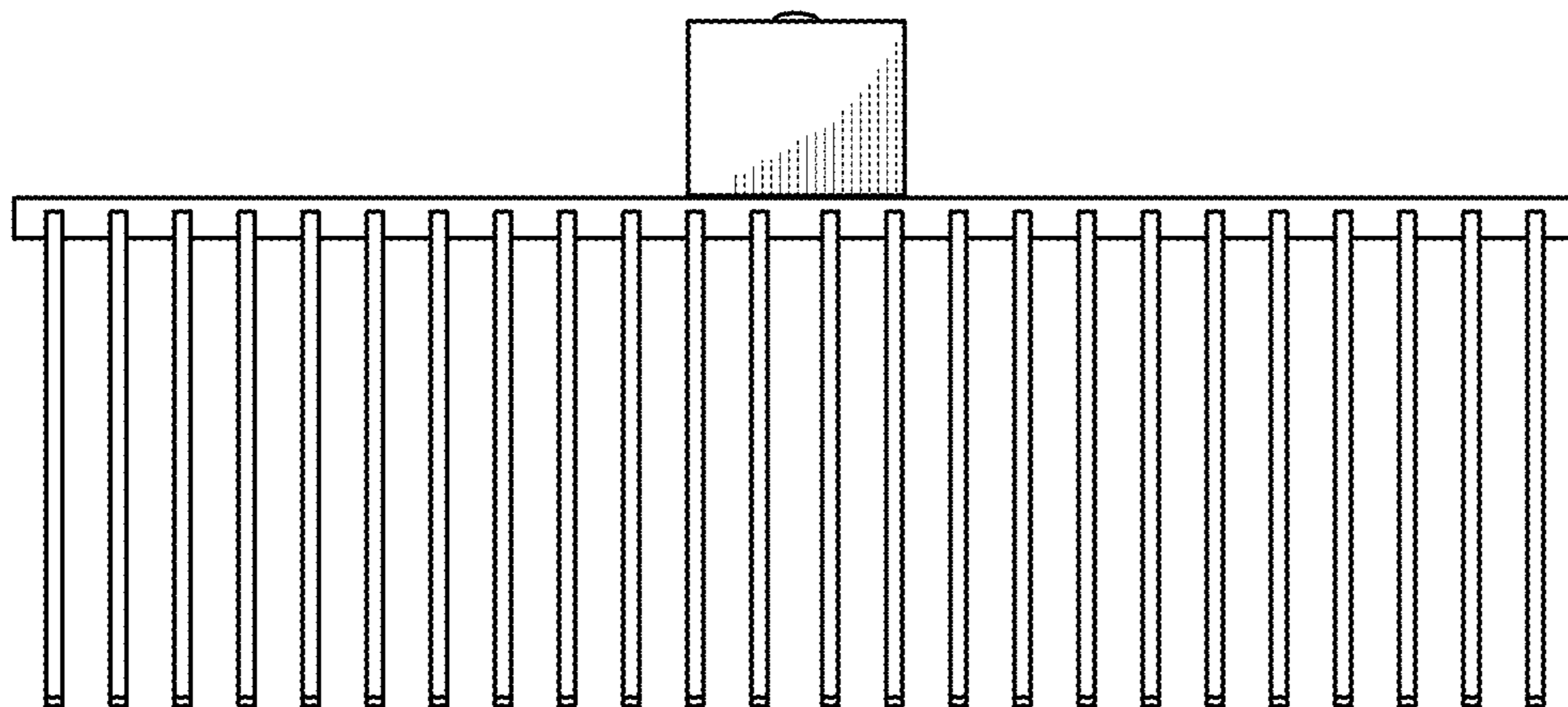
*Fig. 3*



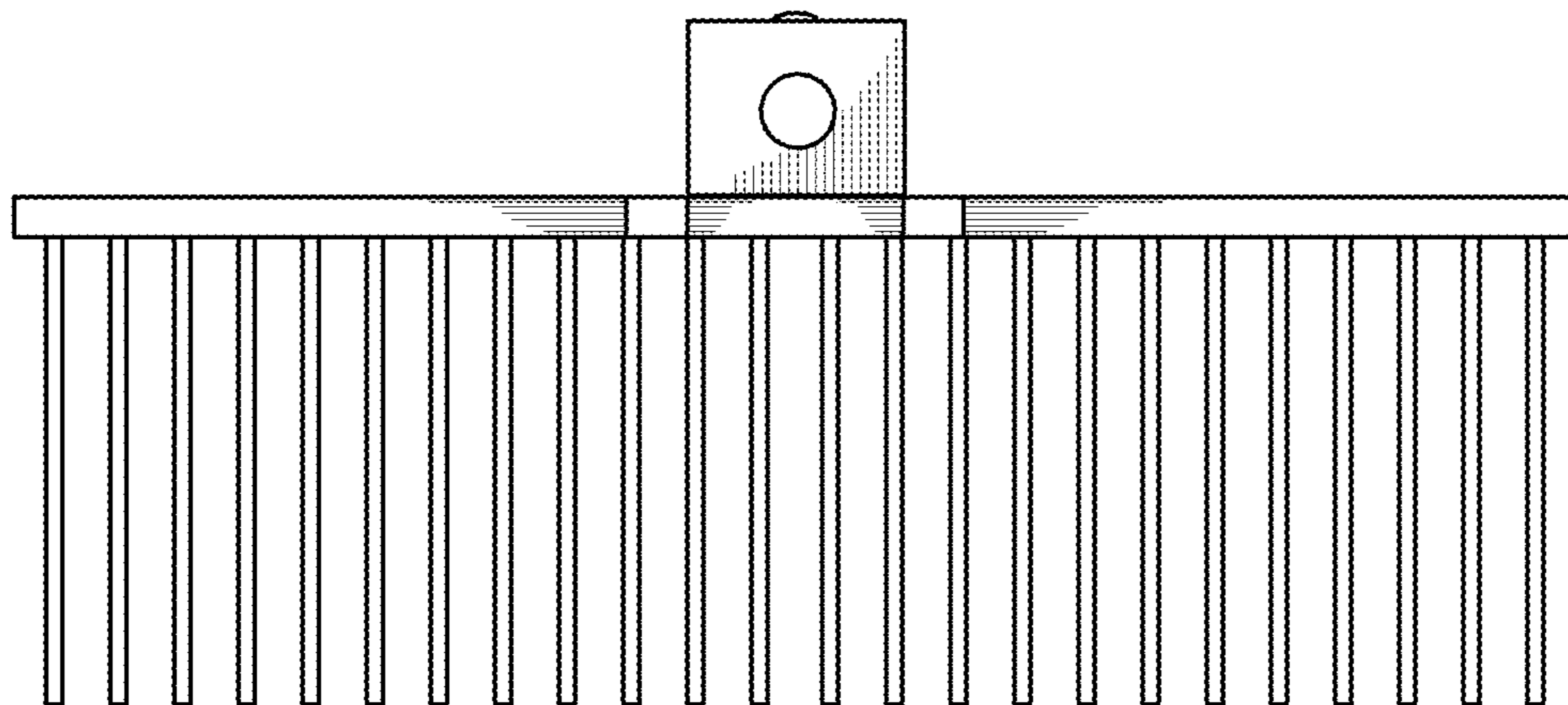
*Fig. 4*



*Fig. 5*



*Fig. 6*



*Fig. 7*