



US00D817724S

(12) **United States Design Patent** (10) **Patent No.:** **US D817,724 S**
Yeh (45) **Date of Patent:** **** May 15, 2018**

(54) **KNIFE SHEATH**
(71) Applicant: **Yun-Chin Yeh**, New Taipei (TW)
(72) Inventor: **Yun-Chin Yeh**, New Taipei (TW)
(**) Term: **15 Years**
(21) Appl. No.: **29/597,438**
(22) Filed: **Mar. 17, 2017**
(51) **LOC (11) Cl.** **07-99**
(52) **U.S. Cl.**
USPC **D7/638**; D3/220
(58) **Field of Classification Search**
USPC D7/637-638; 206/349; 224/232-233,
224/904, 912, 914; D8/93; 30/151, 138,
30/143, 298.4
CPC A45F 5/14; A45F 5/021; A45F 2200/0591;
B26B 29/025; Y10S 224/904
See application file for complete search history.

(56) **References Cited**
U.S. PATENT DOCUMENTS
D225,559 S * 12/1972 Bayley D3/220
D249,923 S * 10/1978 Bayly D7/638
D250,824 S * 1/1979 Bowers D3/220
D279,951 S * 8/1985 Winyard D7/638

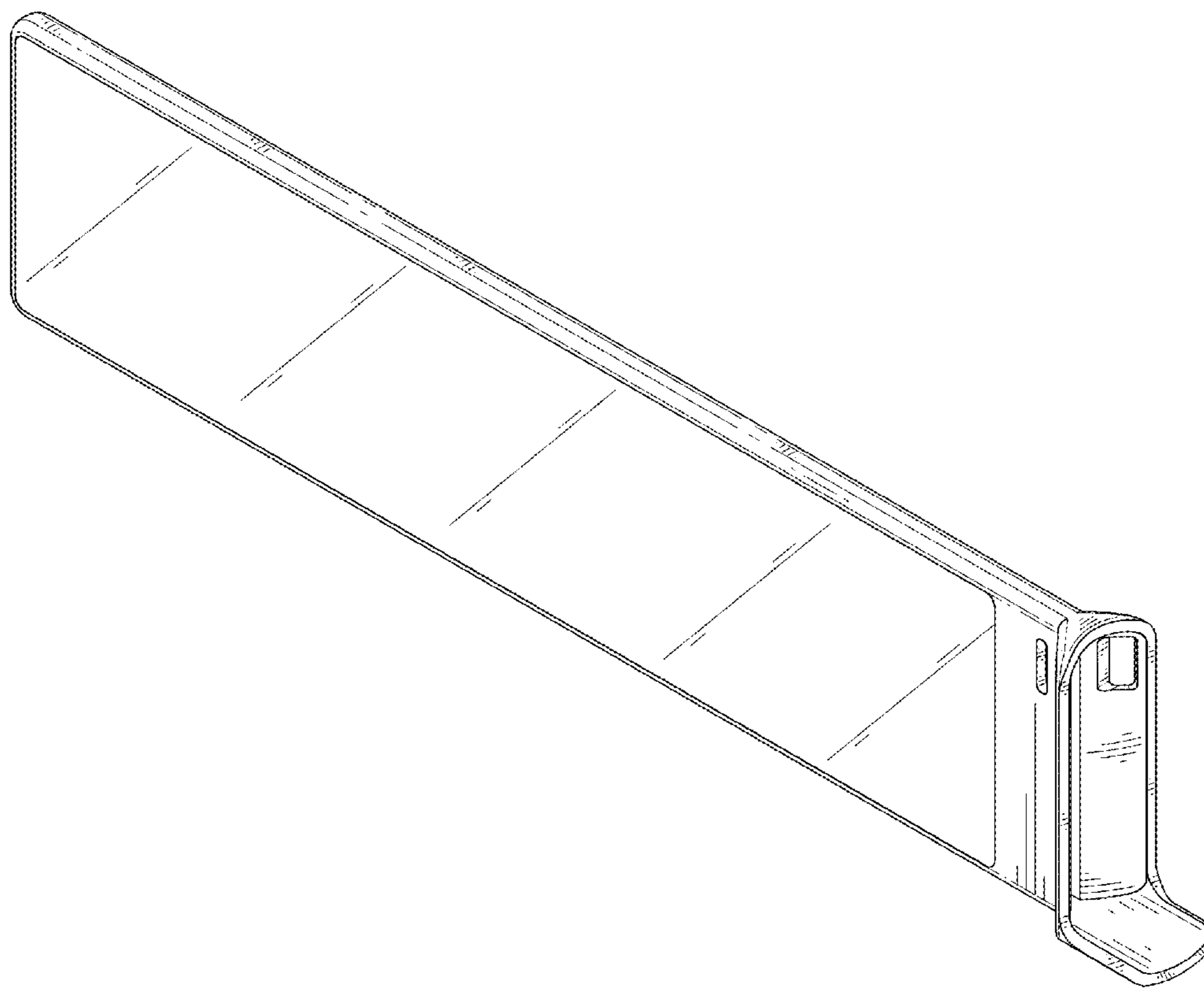
D303,731 S * 10/1989 Blochlinger D3/220
D433,882 S * 11/2000 Neshat D7/637
D476,394 S * 6/2003 Trbovich, Jr. D22/118
D591,040 S * 4/2009 Foster D3/220
D672,549 S * 12/2012 McLean D3/220
8,590,427 B2 * 11/2013 Murphy B26B 29/025
206/349
D746,585 S * 1/2016 Burge D3/220
D798,045 S * 9/2017 Astradsson D3/220

* cited by examiner
Primary Examiner — Catherine R Oliver-Garcia
(74) *Attorney, Agent, or Firm* — Law Offices of Steven W. Weinrieb

(57) **CLAIM**
The ornamental design for a knife sheath, as shown and described.

DESCRIPTION
FIG. 1 is a first perspective view of a knife sheath showing my new design;
FIG. 2 is a second perspective view thereof;
FIG. 3 is a front elevational view thereof;
FIG. 4 is a rear elevational view thereof;
FIG. 5 is a left side view thereof;
FIG. 6 is a right side view thereof;
FIG. 7 is a top plan view thereof; and,
FIG. 8 is a bottom plan view thereof.
The diagonal lines in FIGS. 1 and 3 indicate transparency.

1 Claim, 8 Drawing Sheets



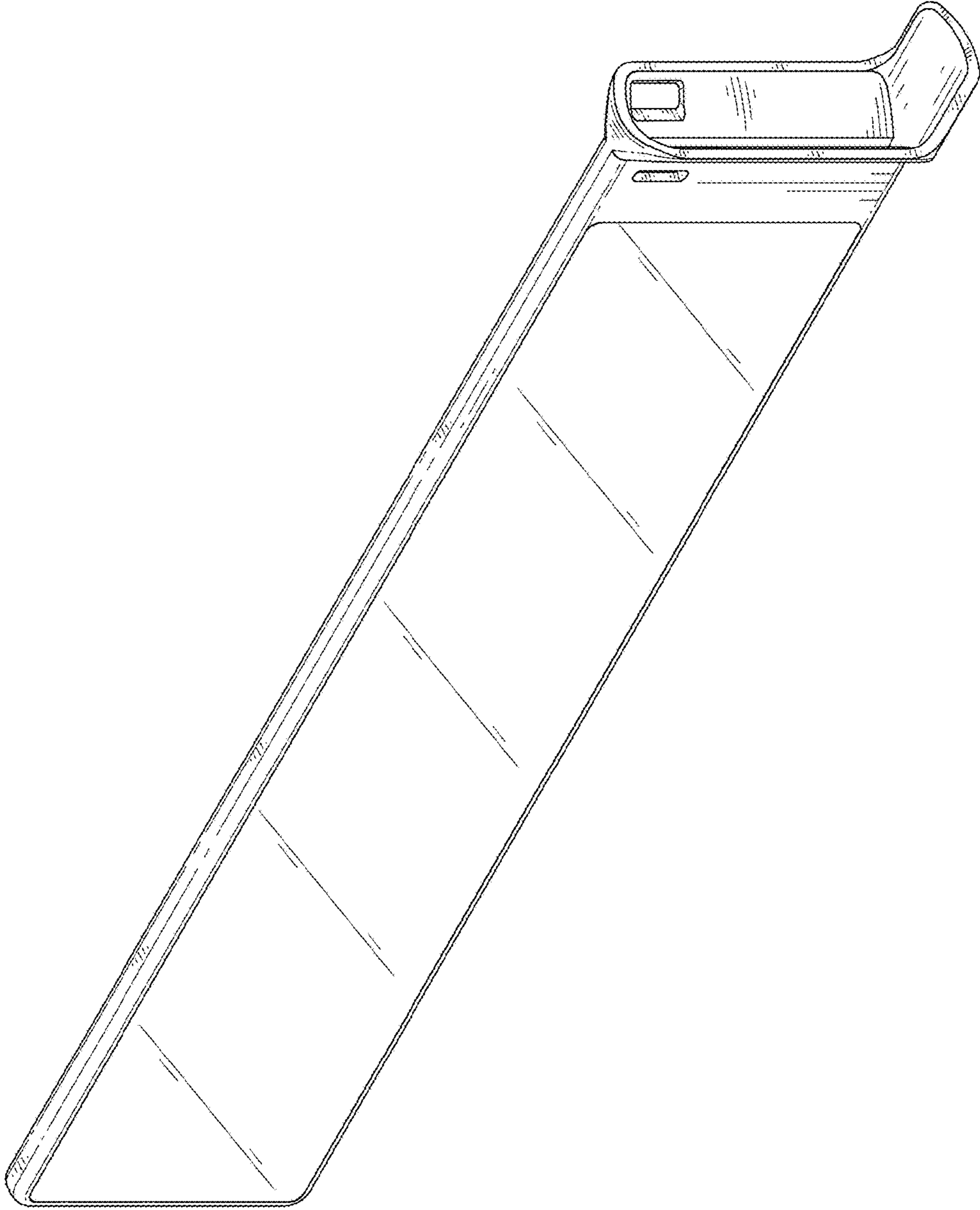


Fig. 1

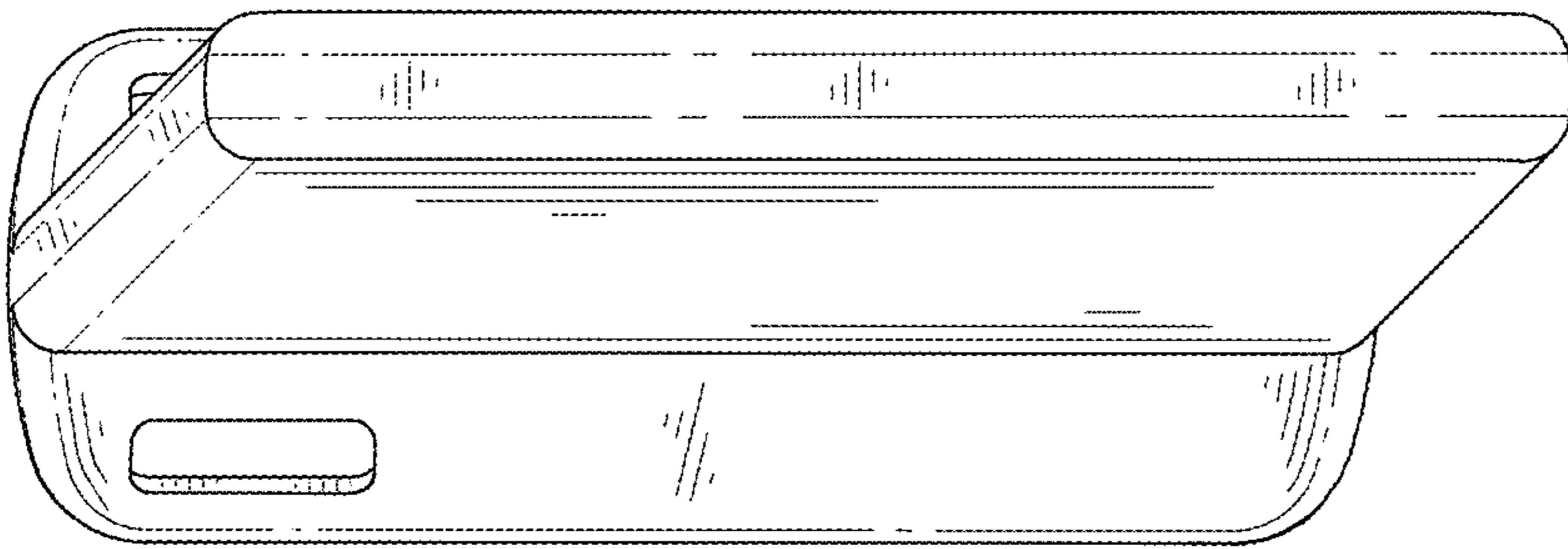


Fig. 2

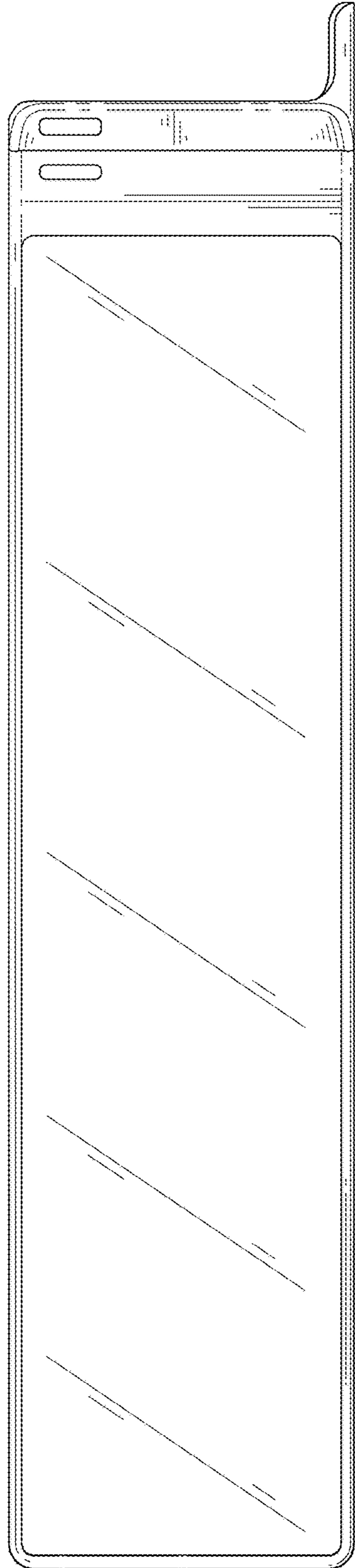


Fig. 3

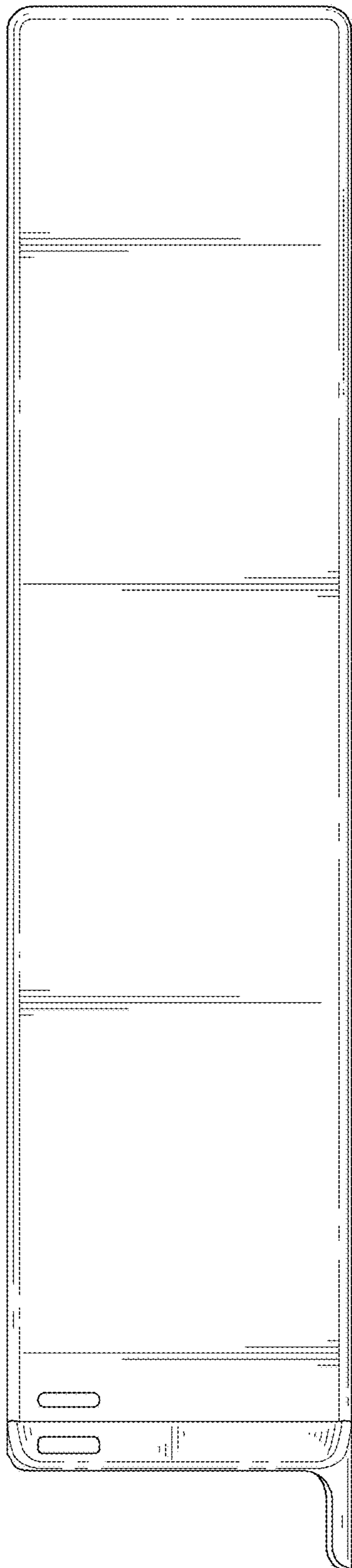


Fig. 4

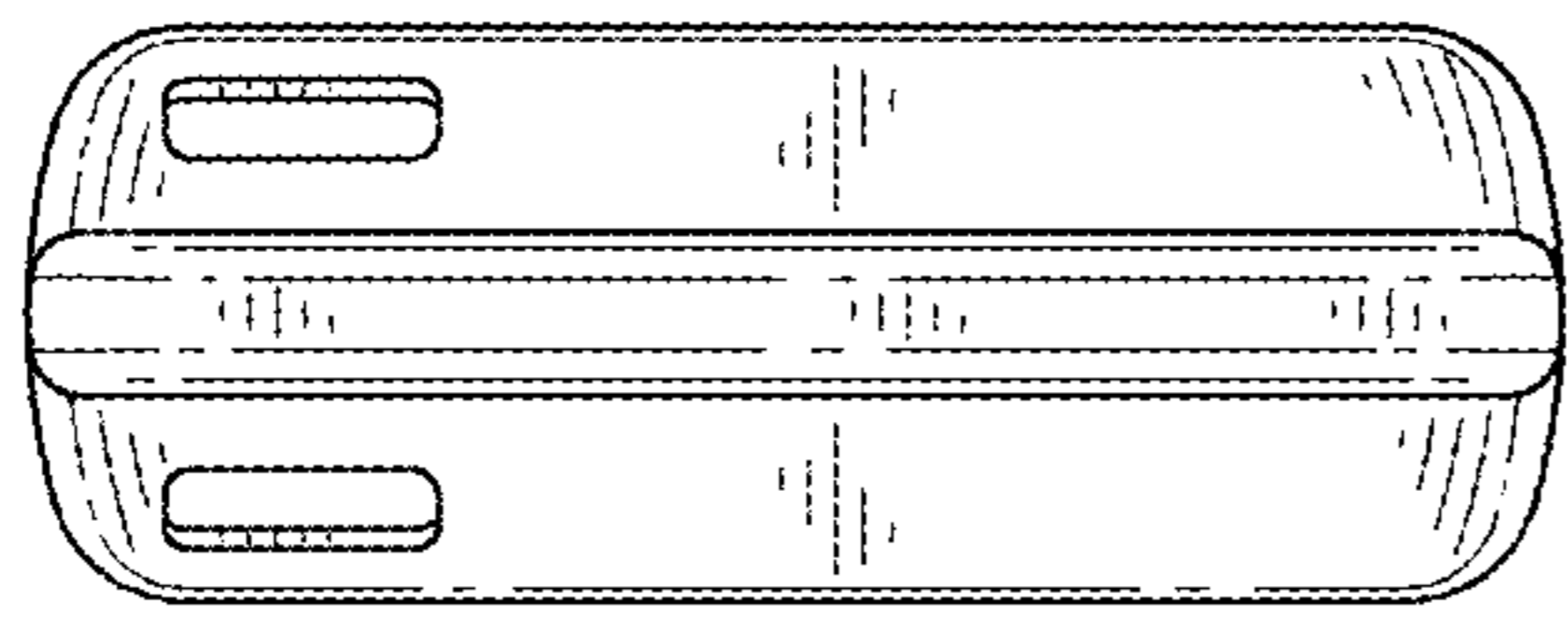


Fig. 5

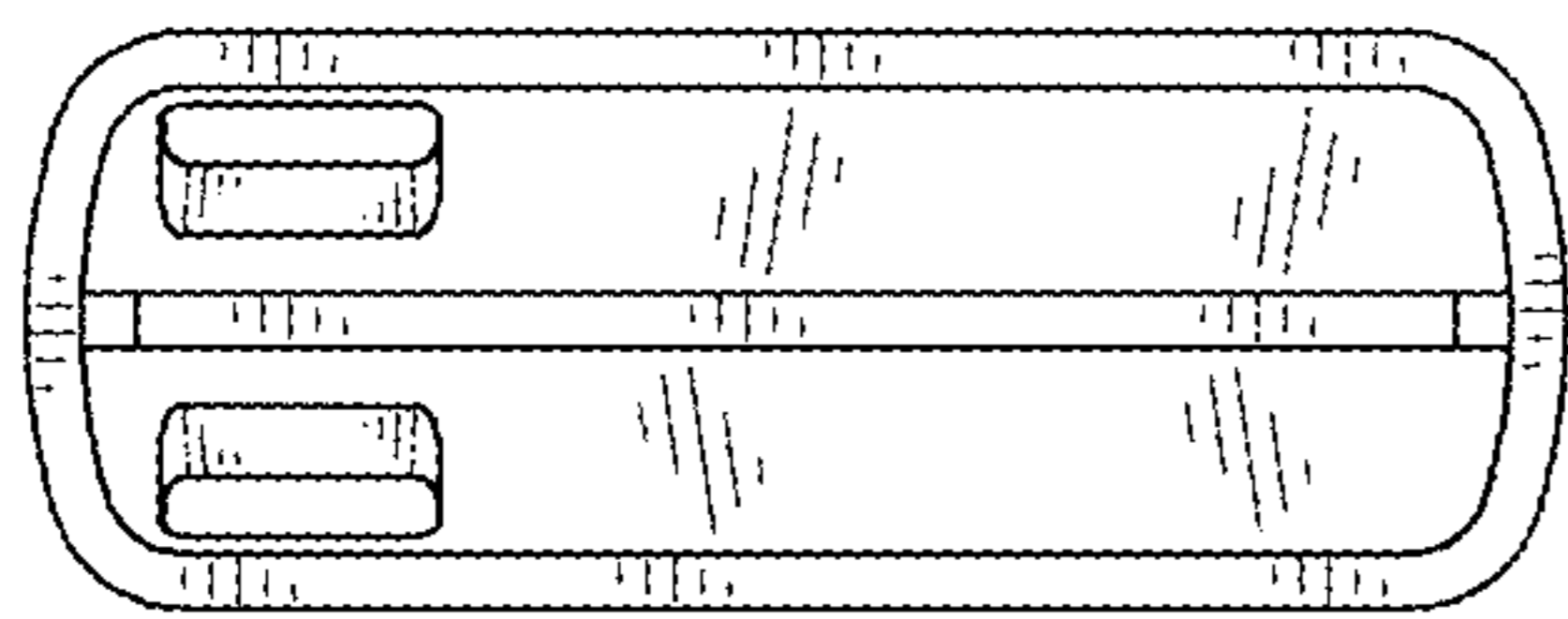


Fig. 6

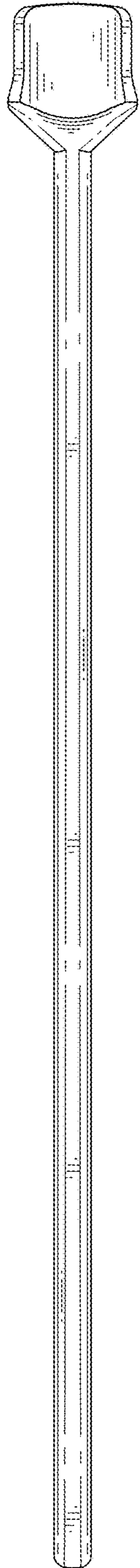


Fig. 7

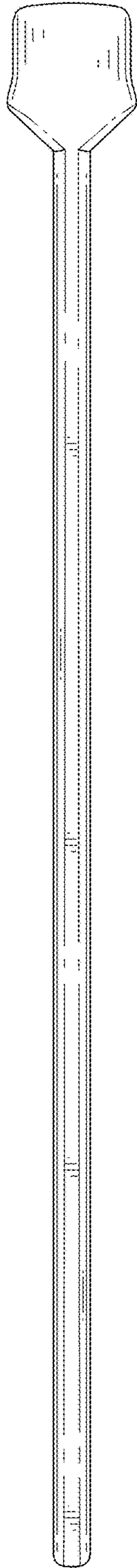


Fig. 8