



US00D817722S

(12) **United States Design Patent**  
**Bradley**

(10) **Patent No.:** **US D817,722 S**

(45) **Date of Patent:** **\*\* May 15, 2018**

(54) **COOLER**

(71) Applicant: **SWELL INDUSTRIES LLC,**  
Honolulu, HI (US)

(72) Inventor: **Todd Bradley,** Honolulu, HI (US)

(73) Assignee: **Swell Industries LLC,** Honolulu, HI  
(US)

(\*\*) Term: **15 Years**

(21) Appl. No.: **29/586,276**

(22) Filed: **Dec. 1, 2016**

(51) **LOC (11) Cl.** ..... **07-01**

(52) **U.S. Cl.**  
USPC ..... **D7/607**

(58) **Field of Classification Search**

USPC ..... D7/603-608, 709; D3/201, 232, 233,  
D3/273, 283, 291  
CPC ..... A45C 3/04; A45C 7/004; A45C 13/008;  
A45C 13/103; A45C 13/26; A45C 13/36;  
A45C 11/20; B60Q 7/005; B65D  
81/3897; B65D 81/38; B65D 81/3848;  
B65D 31/04; B65D 31/08; F25D 3/08;  
F25D 3/14; F25D 2331/804; A44C 11/20;  
A44B 19/301

See application file for complete search history.

(56) **References Cited**

**U.S. PATENT DOCUMENTS**

7,344,028 B2 \* 3/2008 Hanson ..... A45C 11/20  
206/545  
D575,059 S \* 8/2008 Cappiello ..... D3/283

D732,824 S \* 6/2015 Tzortzis ..... D3/288  
D783,371 S \* 4/2017 Burton ..... D3/290  
2004/0074936 A1 \* 4/2004 McDonald ..... A45C 11/20  
224/148.5

\* cited by examiner

*Primary Examiner* — Terry A Wallace

(74) *Attorney, Agent, or Firm* — McCoy Russell LLP

(57) **CLAIM**

The ornamental design for a cooler, as shown and described.

**DESCRIPTION**

FIG. 1 is a front perspective view of a cooler showing my new design.

FIG. 2 shows a front view of the cooler of FIG. 1.

FIG. 3 shows a back view of the cooler of FIG. 1.

FIG. 4 shows a right side view of the cooler of FIG. 1.

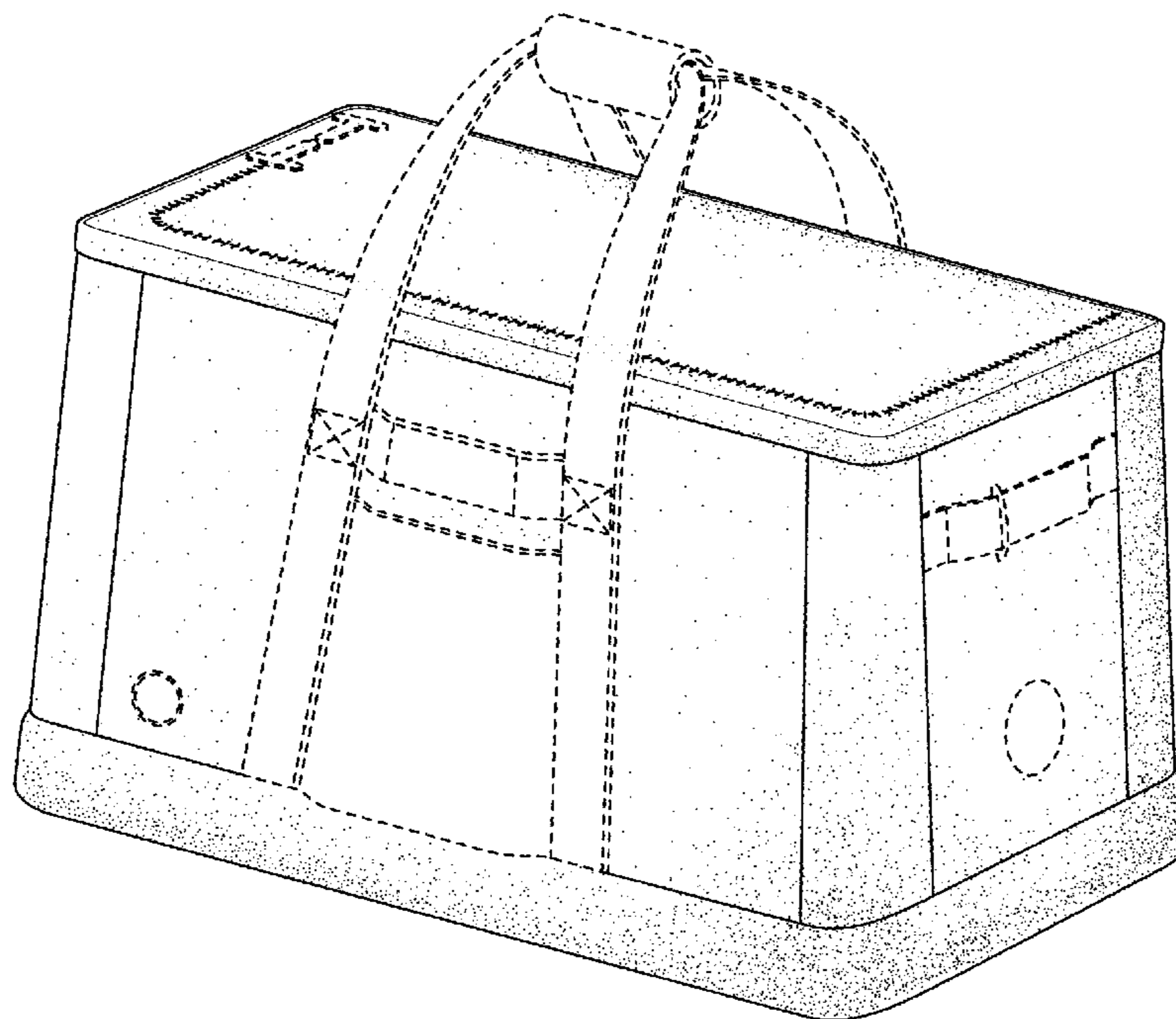
FIG. 5 shows a left side view of the cooler of FIG. 1.

FIG. 6 shows a top view of the cooler of FIG. 1; and,

FIG. 7 shows a bottom view of the cooler of FIG. 1.

The broken lines consisting of short dashes in FIGS. 1-7 are for illustrative purposes only and form no part of the claimed design. The broken lines consisting of vertical and horizontal dashes on the top of the cooler in FIGS. 1 and 6 represent a zipper that forms part of the claimed design.

**1 Claim, 7 Drawing Sheets**



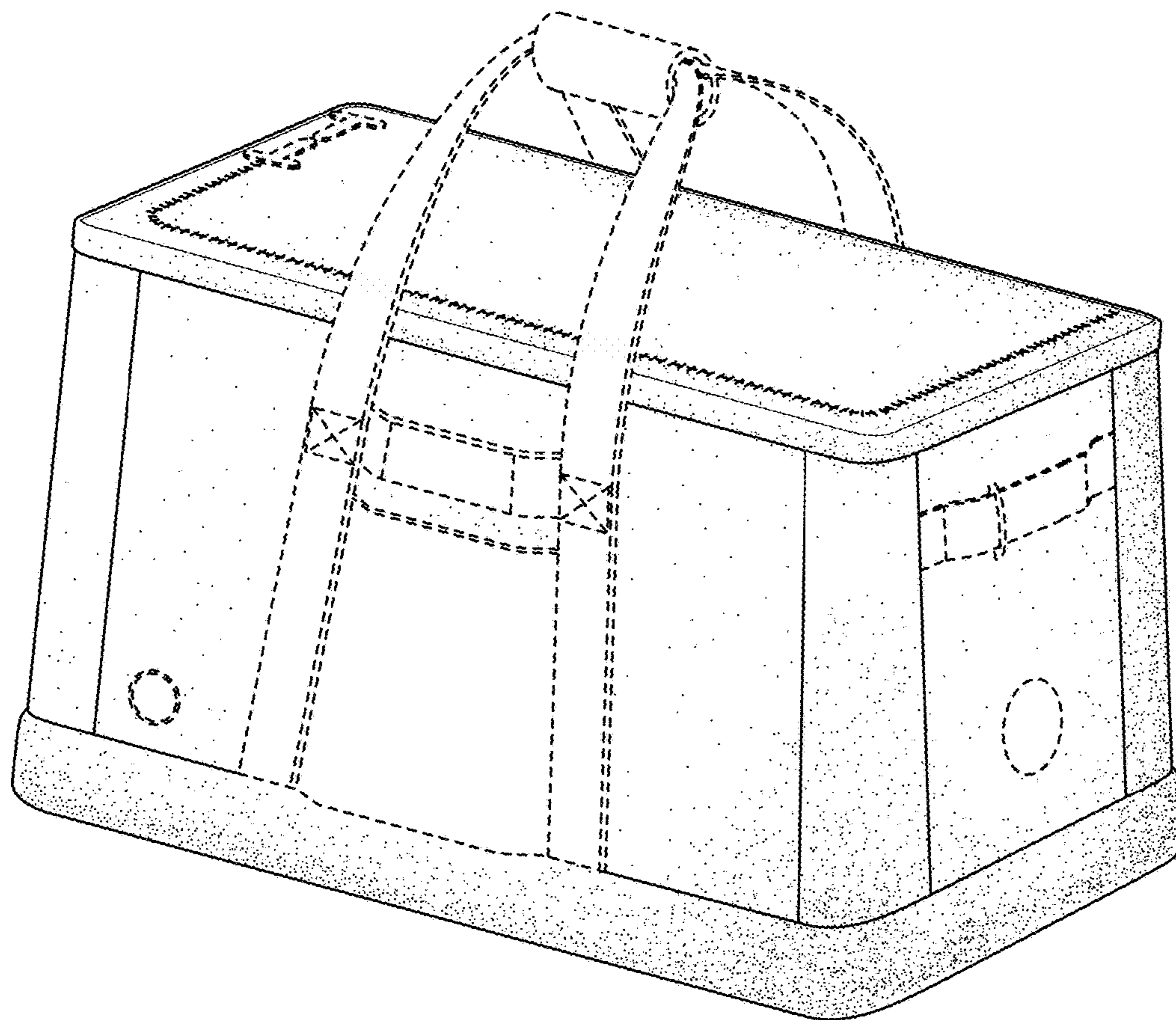


FIG. 1

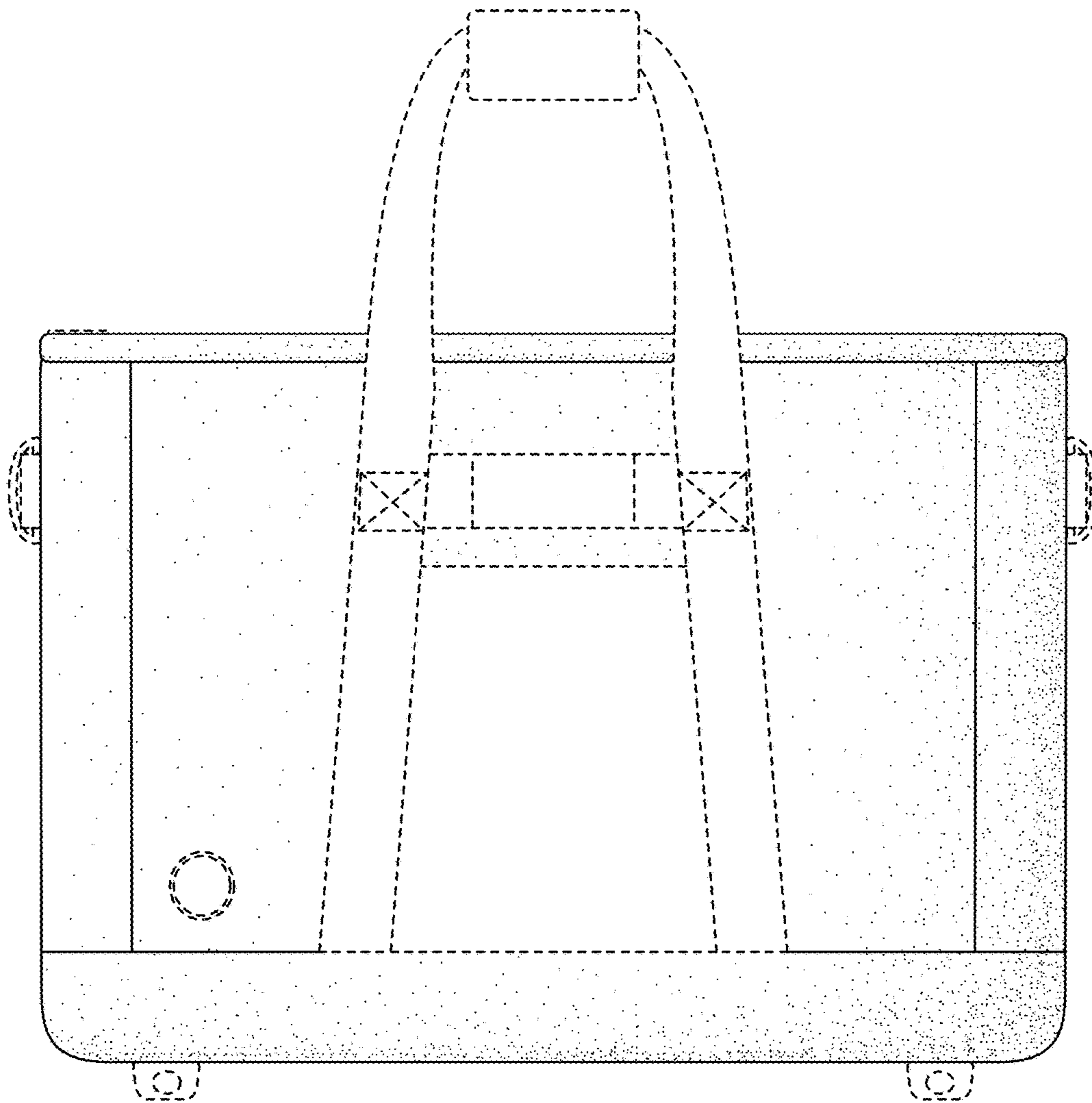


FIG. 2

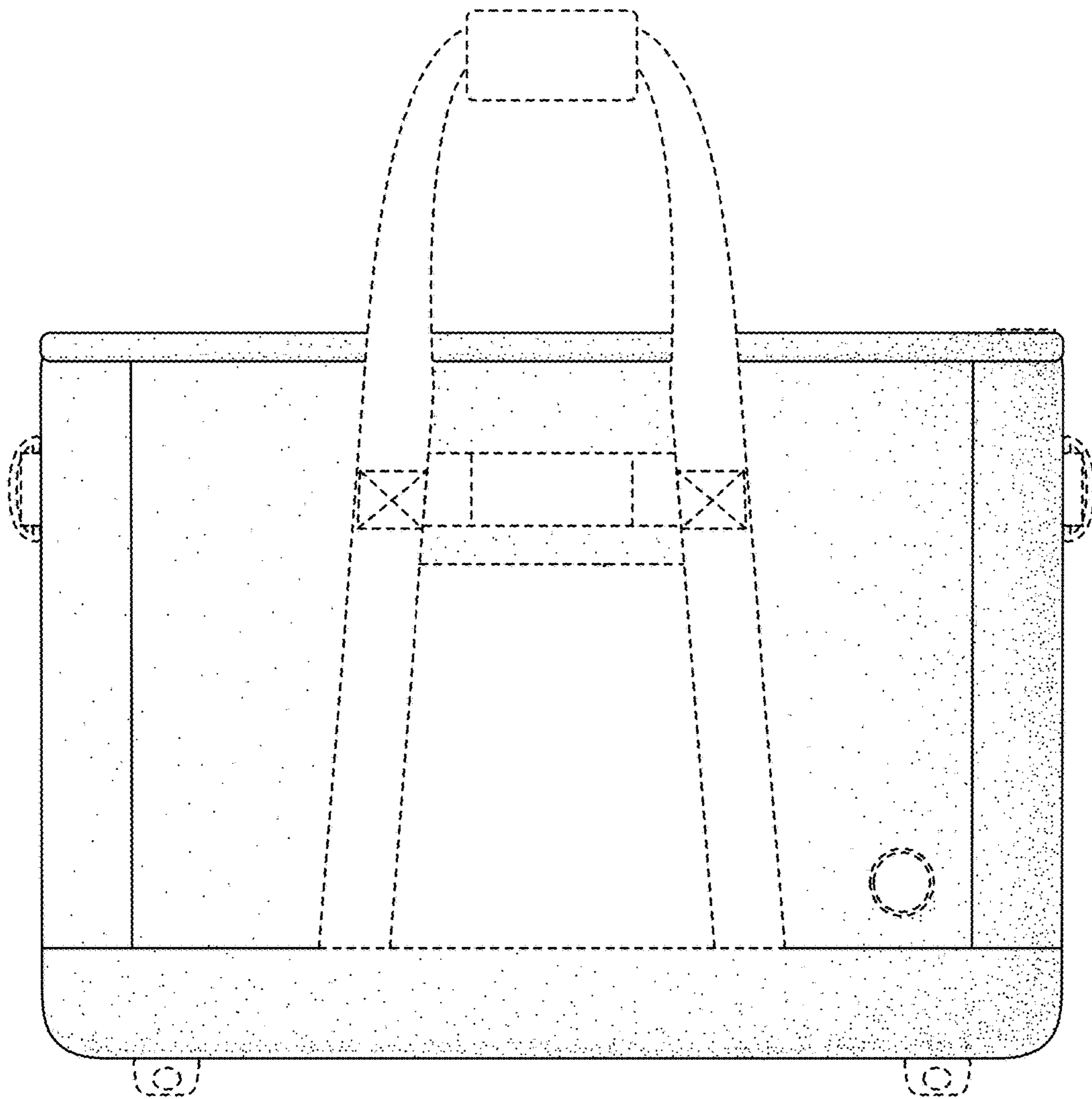


FIG. 3



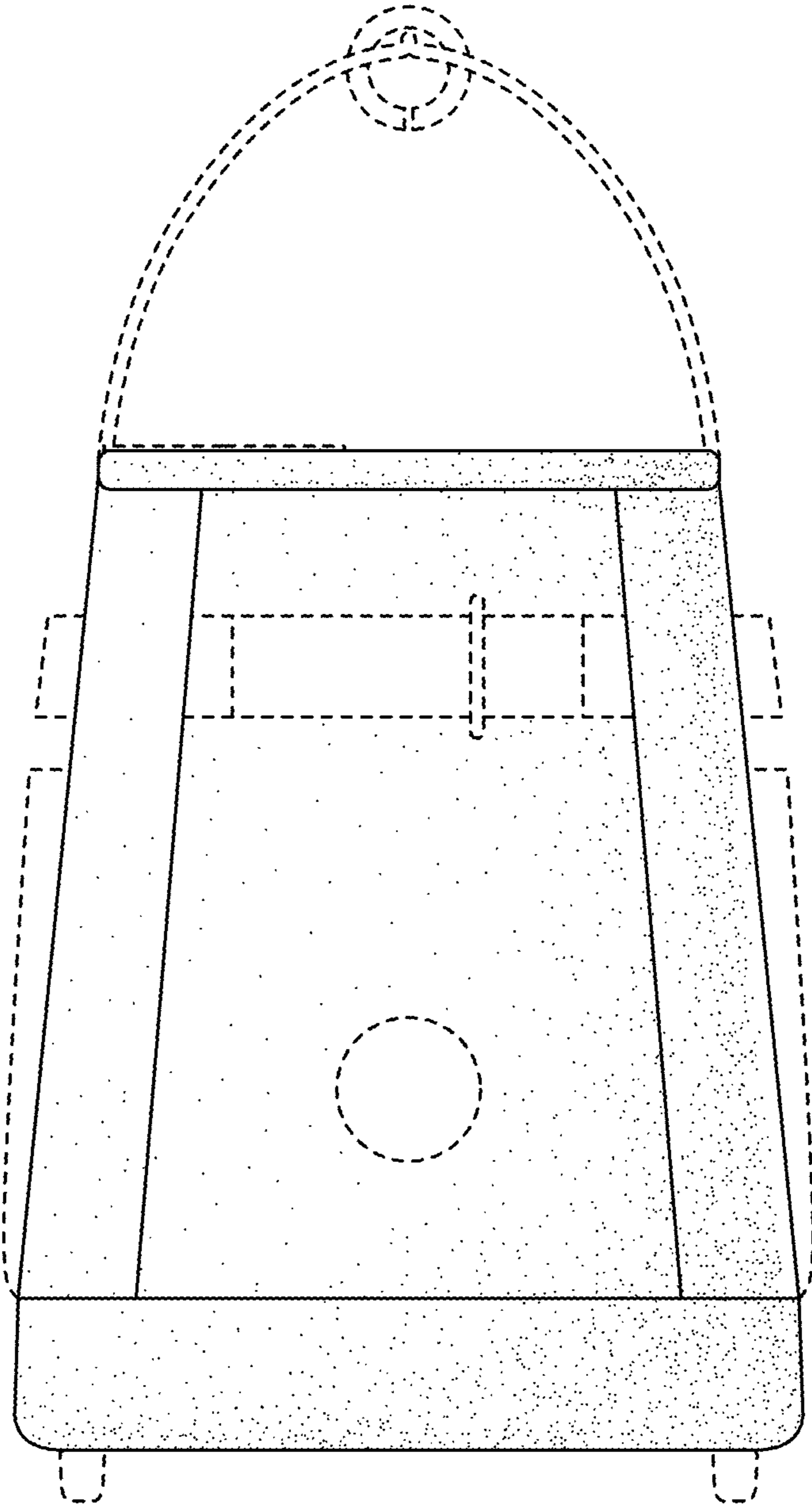


FIG. 4

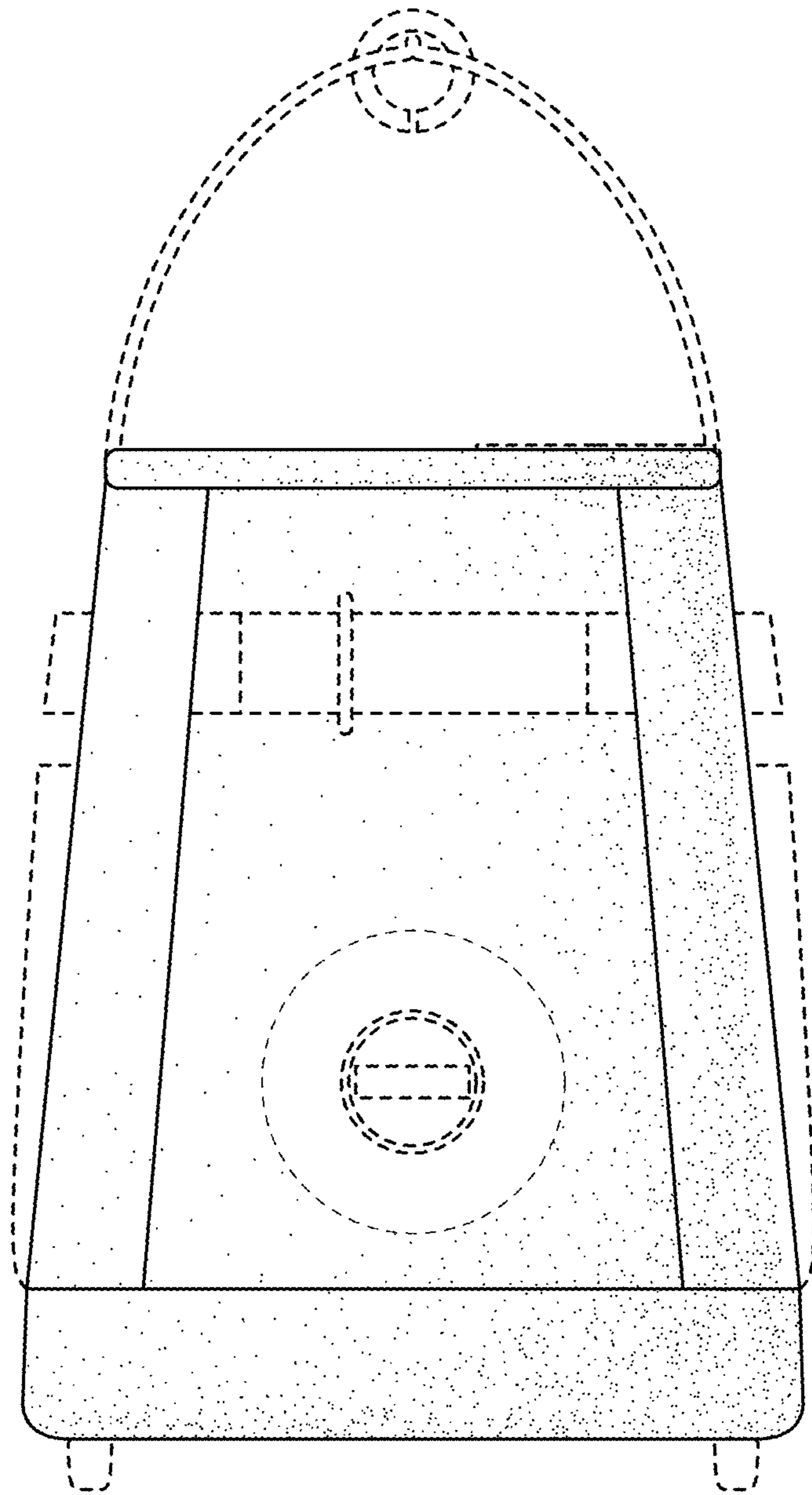


FIG. 5

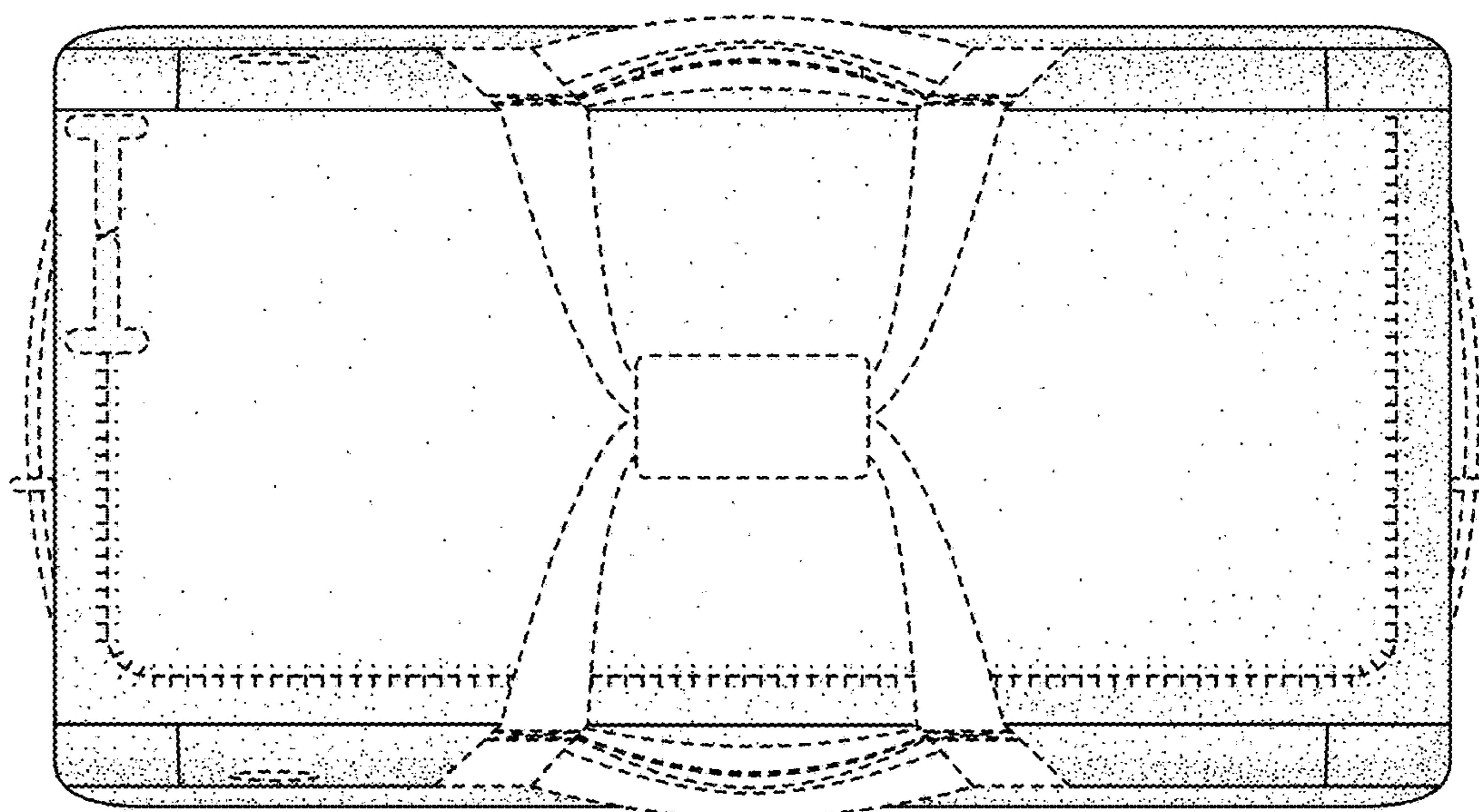


FIG. 6

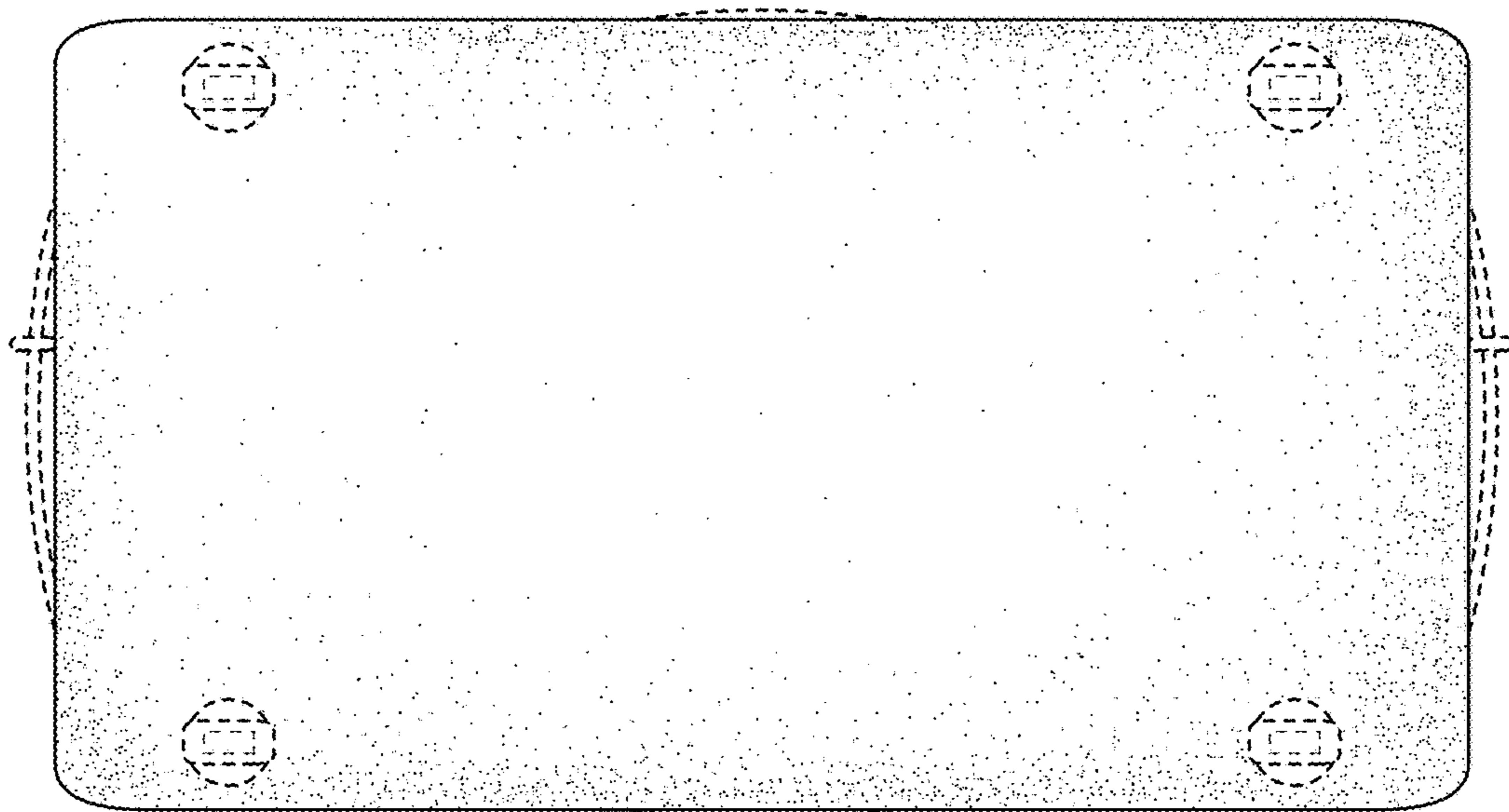


FIG. 7