



US00D817720S

(12) **United States Design Patent**  
**Hertaus**

(10) **Patent No.:** **US D817,720 S**  
(45) **Date of Patent:** **\*\* May 15, 2018**

(54) **TRAY HOLDER**

(71) Applicant: **Vision Home Products, Inc.**, Le Sueur, MN (US)

(72) Inventor: **Alan Hertaus**, Le Sueur, MN (US)

(73) Assignee: **VISION HOME PRODUCTS, INC.**, Le Sueur, MN (US)

(\*\*) Term: **15 Years**

(21) Appl. No.: **29/576,429**

(22) Filed: **Sep. 2, 2016**

(51) **LOC (11) Cl.** ..... **07-99**

(52) **U.S. Cl.**  
USPC ..... **D7/600.1**

(58) **Field of Classification Search**

USPC ... D7/600, 600.1-600.4, 392, 397, 589, 590, D7/596, 597, 601, 602, 609, 610, 612, D7/614, 615, 620-623, 628-632, D7/637-641, 701-708, 708.1, 709, 710; D3/304-315, 317, 319, 302, 316; D6/559, 560, 566, 567, 570, 571, 573, D6/574, 512, 705, 705.1, 705.2, 705.3, D6/705.4, 705.5, 705.6, 705.7, 706, 707, D6/707.1, 707.19, 707.15, 627, 628, 629, D6/631, 654, 654.11, 654.12, 654.13, D6/654.14, 654.15, 654.18, 654.19, 654.2, D6/654.22, 654.21, 655, 655.11, 655.12, D6/655.13, 655.14, 655.15, 655.17, D6/655.18, 655.19, 655.2, 655.22, 655.23, D6/691.9, 692.4, 692.5, 693.1, 693.2, D6/677, 677.1, 677.2, 677.5, 678.4, D6/708.2, 668.1; D19/75, 77, 78, 83, 86, D19/92; 206/511, 557, 560, 510, 513, 206/503, 566, 563, 564; 211/1, 10, 13.1, 211/69.1, 69.5, 70, 70.1, 70.6, 74, 77, 78, 211/85.1, 85.2, 85.4, 85.5, 85.31, 126.9, 211/126.11, 126.15, 129.1, 131.1, 133.2, 211/133.4, 134, 133.5, 133.6, 181.1, 182; 312/323, 330.1, 334.1, 334.27, 408, 410, 312/334.44, 325, 326, 327, 332.1, 333; 220/485, 493, 491

CPC ..... A45D 33/22; B65D 2203/00; B65D 7/20; B65D 83/00; B65D 21/00; B65D 85/305; B65D 85/30; A47G 7/02; A47B 88/00; A47B 88/0003; A47B 88/0007; A47B 88/0014; A47B 88/20; A47B 88/202; A47B 88/04; A47B 88/0466; A47B 88/0418; A47B 81/007; A47B 2088/0444; A47J 31/3642; A47J 47/16; A47J 47/00; A47J 31/44; A47J 31/36

See application file for complete search history.

(56) **References Cited**

U.S. PATENT DOCUMENTS

3,405,810 A \* 10/1968 Rogus ..... B65D 21/048  
206/507  
D307,033 S \* 4/1990 Kirchner ..... D18/59

(Continued)

*Primary Examiner* — Shannon W Morgan

(74) *Attorney, Agent, or Firm* — Haugen Law Firm PLLP

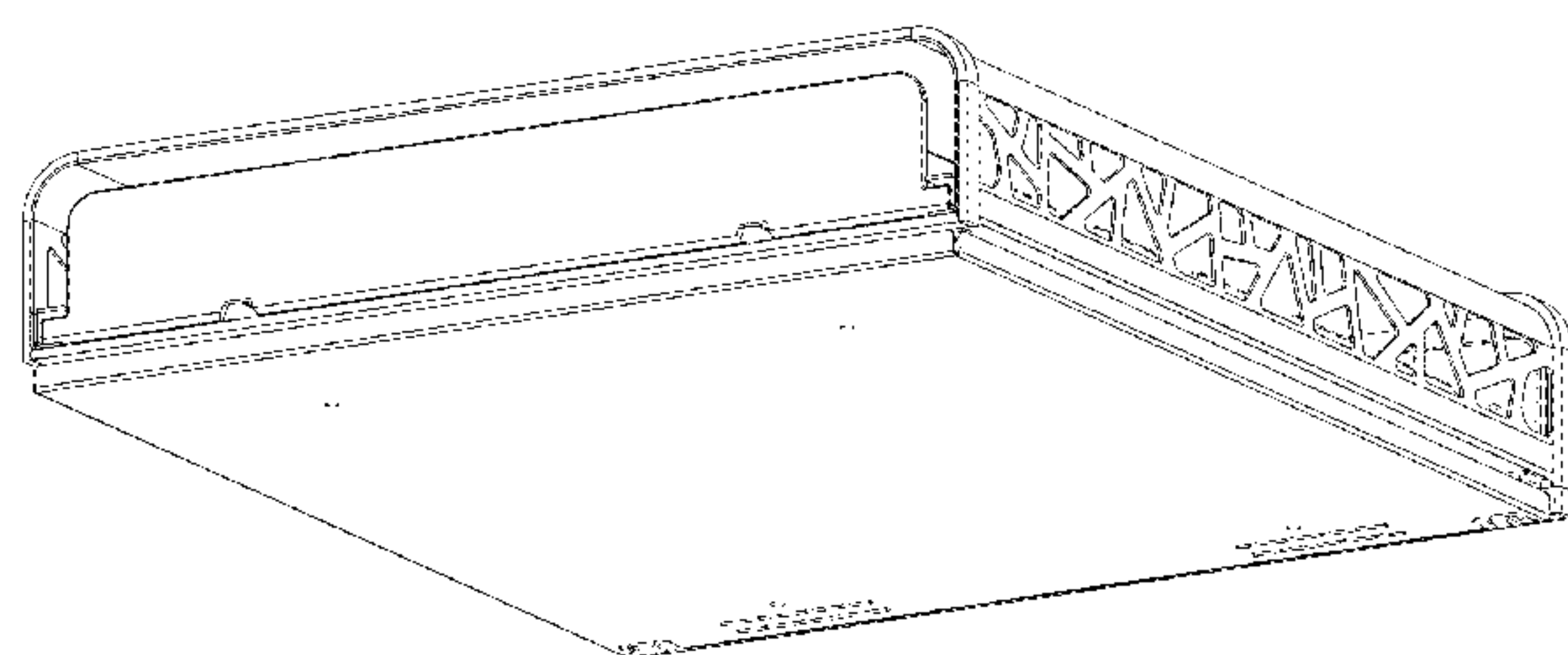
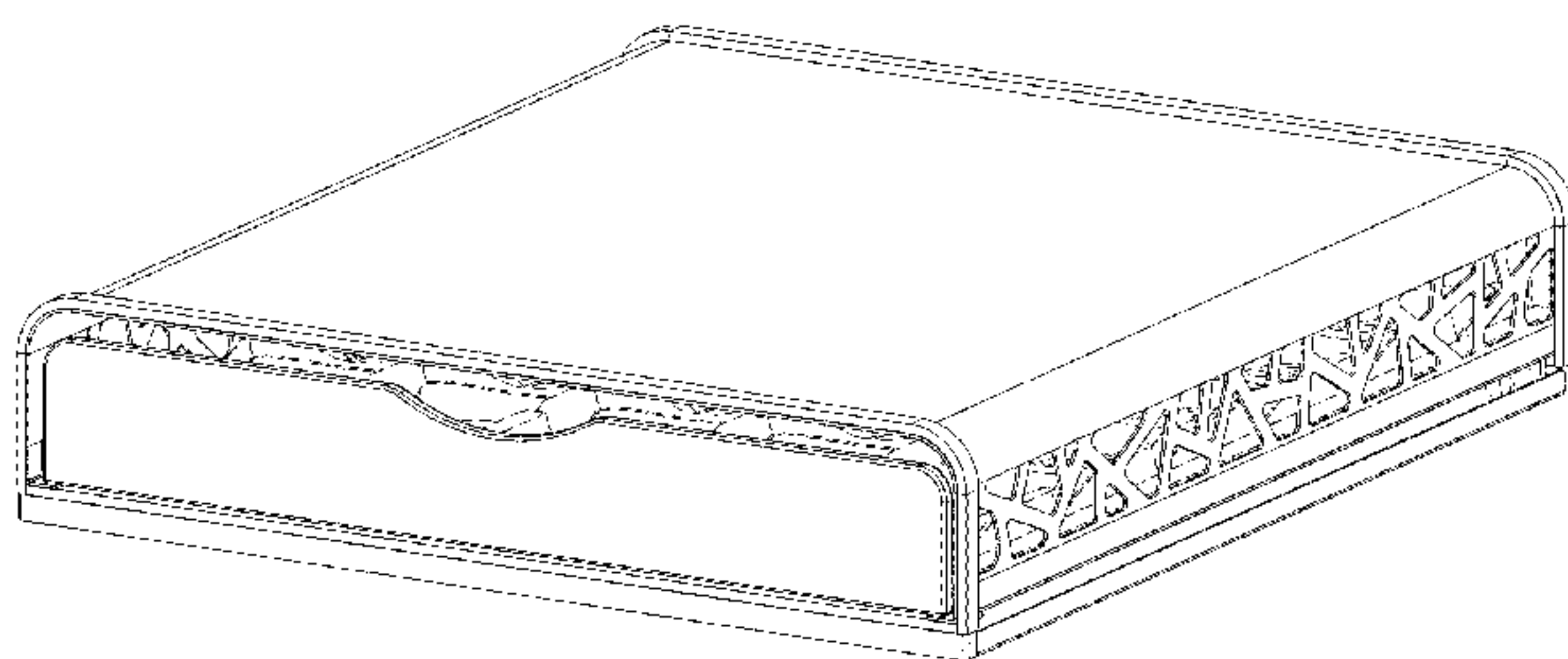
(57) **CLAIM**

The ornamental design for a tray holder, as shown and described.

**DESCRIPTION**

FIG. 1 is a front top right-side perspective view of a tray holder showing the new design; FIG. 2 is a front view thereof; FIG. 3 is a back view thereof; FIG. 4 is a left side view thereof; FIG. 5 is a right side view thereof; FIG. 6 is a top view thereof; FIG. 7 is a bottom view thereof; and, FIG. 8 is a bottom back left perspective view thereof. The broken lines in FIGS. 1-5, and 7-8 depict portions of the tray holder that form no part of the claimed design.

**1 Claim, 8 Drawing Sheets**



(56)

References Cited

U.S. PATENT DOCUMENTS

D319,473 S \* 8/1991 Aaldenberg ..... D19/86  
 D337,127 S \* 7/1993 Aaldenberg ..... D19/86  
 D479,273 S \* 9/2003 Chang ..... D19/86  
 D480,111 S \* 9/2003 White ..... D19/86  
 D628,444 S \* 12/2010 Snider ..... D7/600.1  
 D628,445 S \* 12/2010 Snider ..... D7/600.1  
 D644,491 S \* 9/2011 Snider ..... D7/600.1  
 D659,481 S \* 5/2012 Tiemann ..... D7/600.1  
 D660,088 S \* 5/2012 Tiemann ..... D7/600.1  
 D661,951 S \* 6/2012 Tiemann ..... D7/600.1  
 D665,230 S \* 8/2012 Snider ..... D7/600.1  
 D665,848 S \* 8/2012 Lee ..... D19/92  
 D674,213 S \* 1/2013 Hertaus ..... D6/663  
 D676,715 S \* 2/2013 Tsai ..... D7/600.1  
 D679,954 S \* 4/2013 Snider ..... D7/600.1  
 D680,380 S \* 4/2013 Tiemann ..... D7/600.1  
 D682,039 S \* 5/2013 Tiemann ..... D7/600.4  
 D684,404 S \* 6/2013 Hertaus ..... D6/705  
 D686,464 S \* 7/2013 Tiemann ..... D7/600.1

D688,902 S \* 9/2013 Hertaus ..... D6/663  
 D692,265 S \* 10/2013 Hertaus ..... D6/705.6  
 D701,431 S \* 3/2014 Tsai ..... D7/600.1  
 D701,733 S \* 4/2014 Tiemann ..... D7/600.1  
 D703,002 S \* 4/2014 Tiemann ..... D7/600.1  
 D703,003 S \* 4/2014 Tiemann ..... D7/600.1  
 D703,005 S \* 4/2014 Tiemann ..... D7/600.1  
 D708,907 S \* 7/2014 Tiemann ..... D7/600.1  
 D708,909 S \* 7/2014 Tiemann ..... D7/600.1  
 D734,101 S \* 7/2015 Greenspon ..... D7/600.1  
 D755,574 S \* 5/2016 Lee ..... D7/600.1  
 D764,236 S \* 8/2016 Hertaus ..... D7/600.1  
 D775,830 S \* 1/2017 Duvigneau ..... D3/304  
 D782,868 S \* 4/2017 Lien ..... D14/125  
 D787,186 S \* 5/2017 Thurbin ..... D3/313  
 2014/0069913 A1\* 3/2014 Tsai ..... B65D 7/20  
 220/4.01  
 2014/0091695 A1\* 4/2014 Sabounjian ..... A47J 31/3642  
 312/348.3  
 2014/0217876 A1\* 8/2014 Tsai ..... A47B 88/16  
 312/334.44

\* cited by examiner

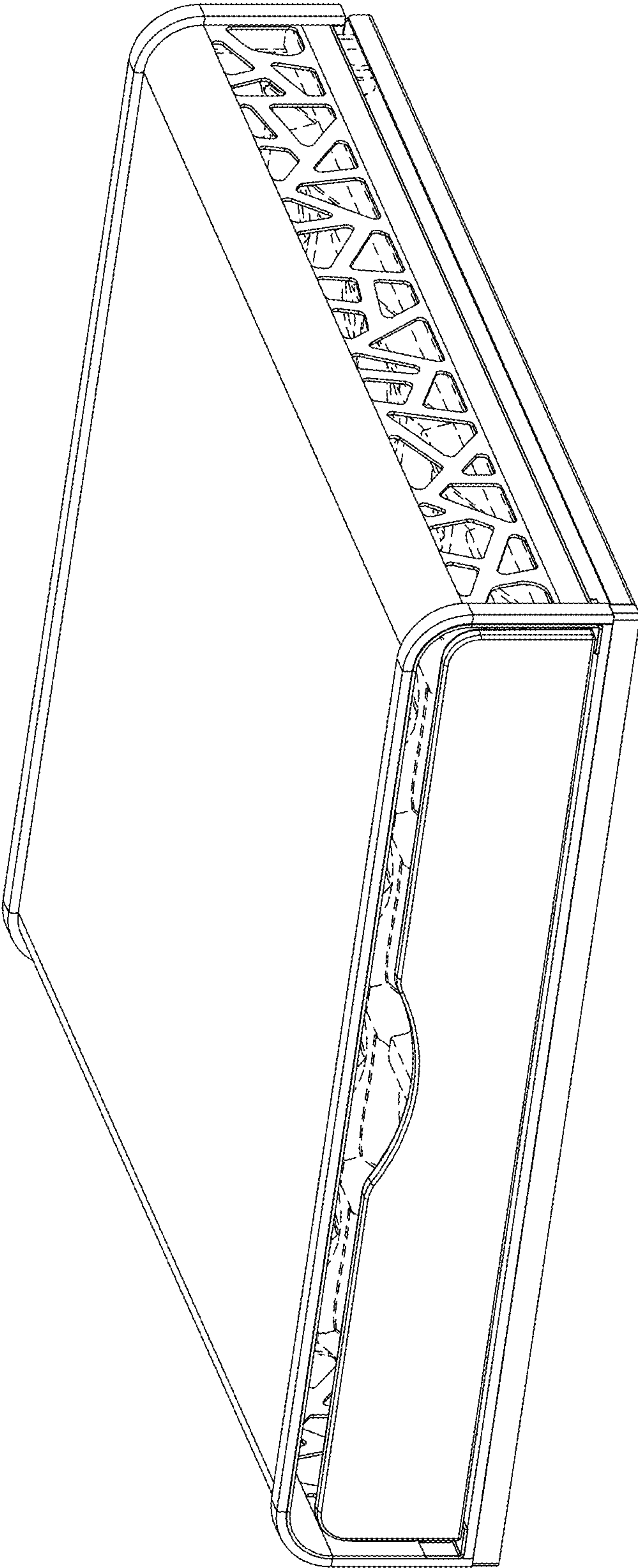


FIG. 1

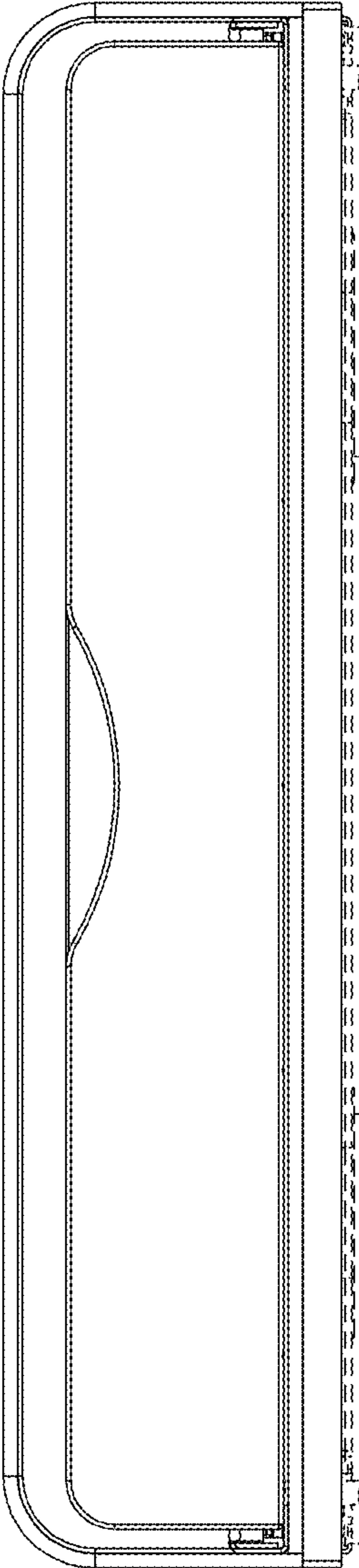


FIG. 2



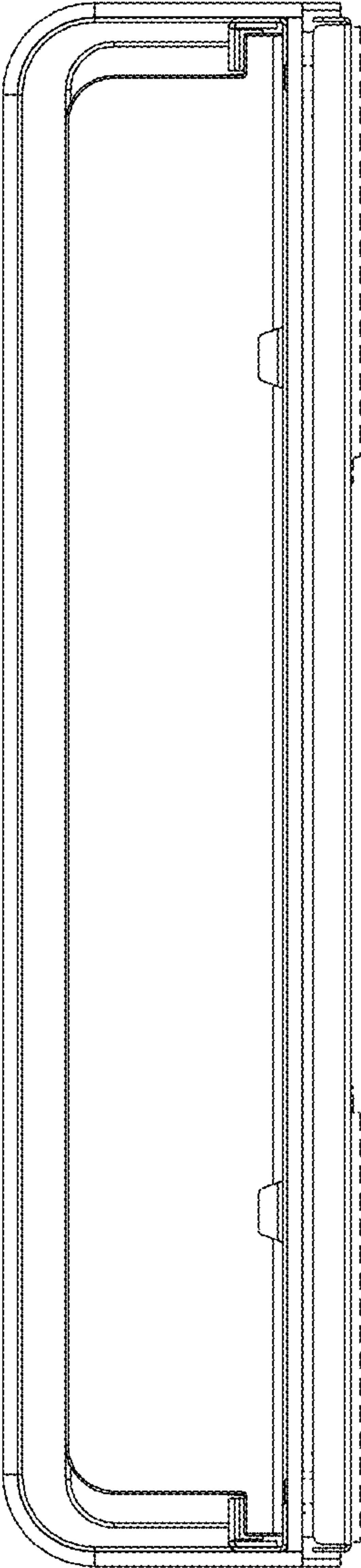


FIG. 3

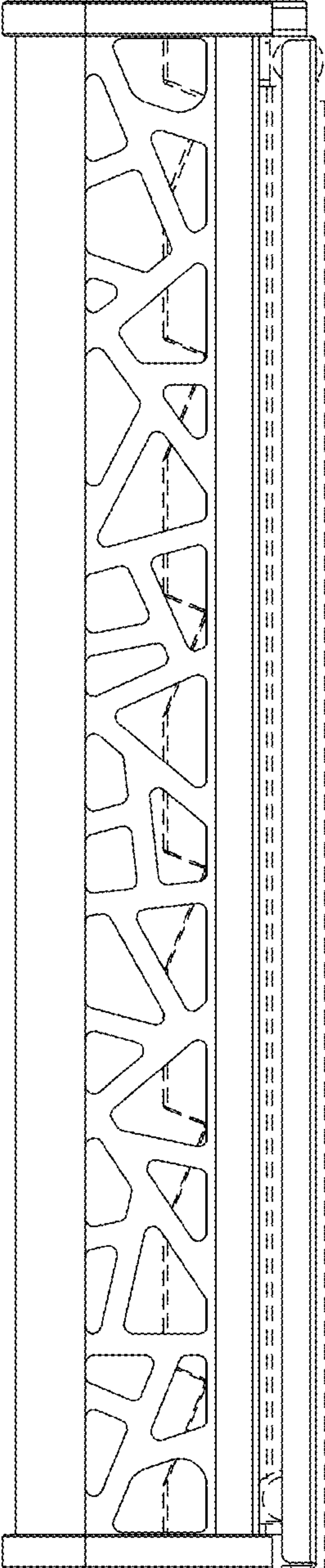


FIG. 4

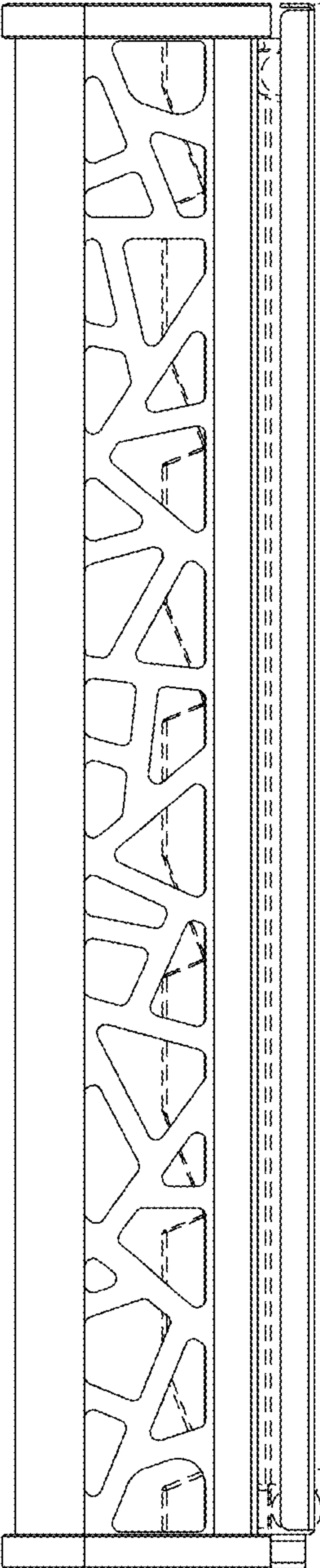


FIG. 5

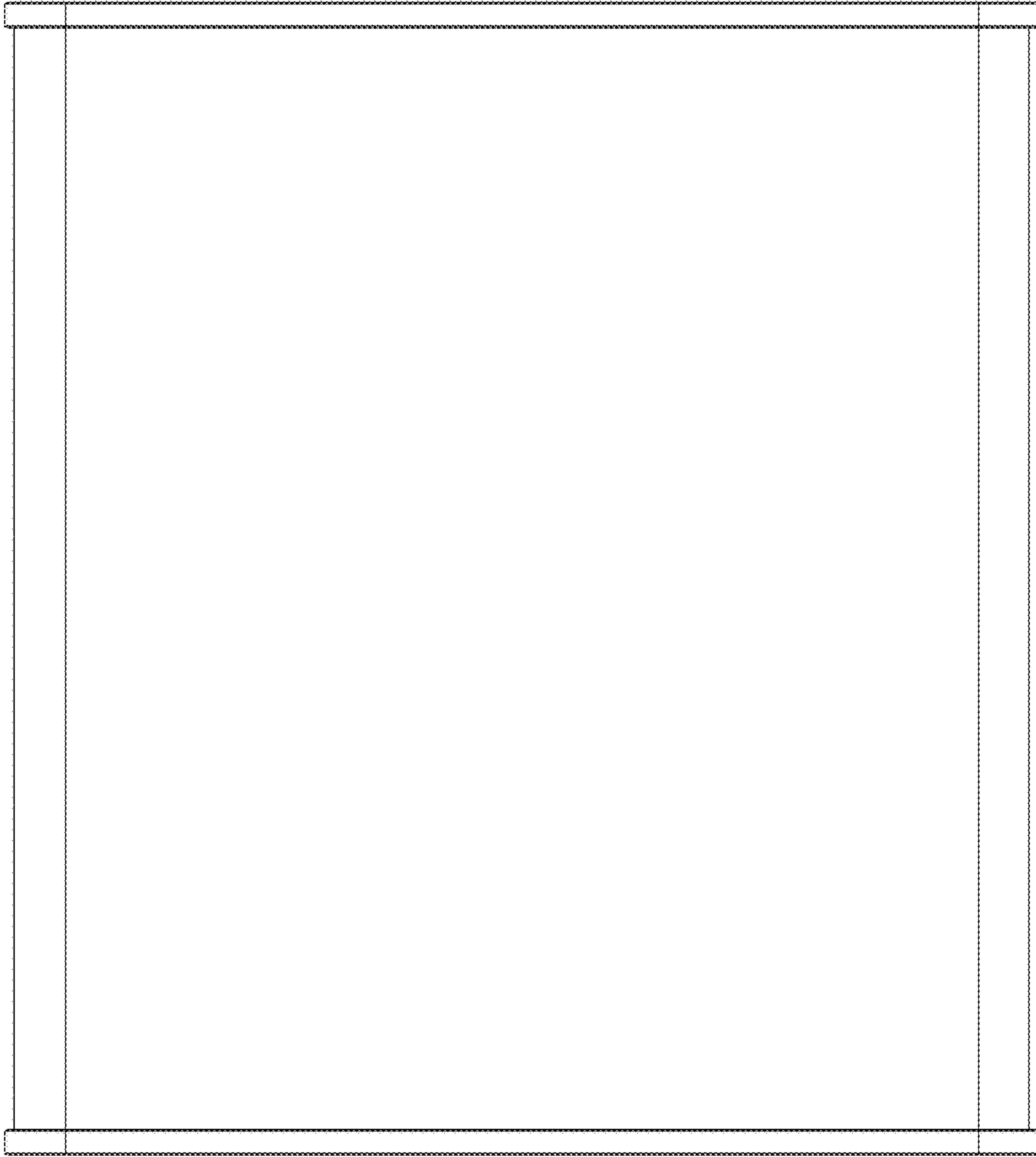


FIG. 6



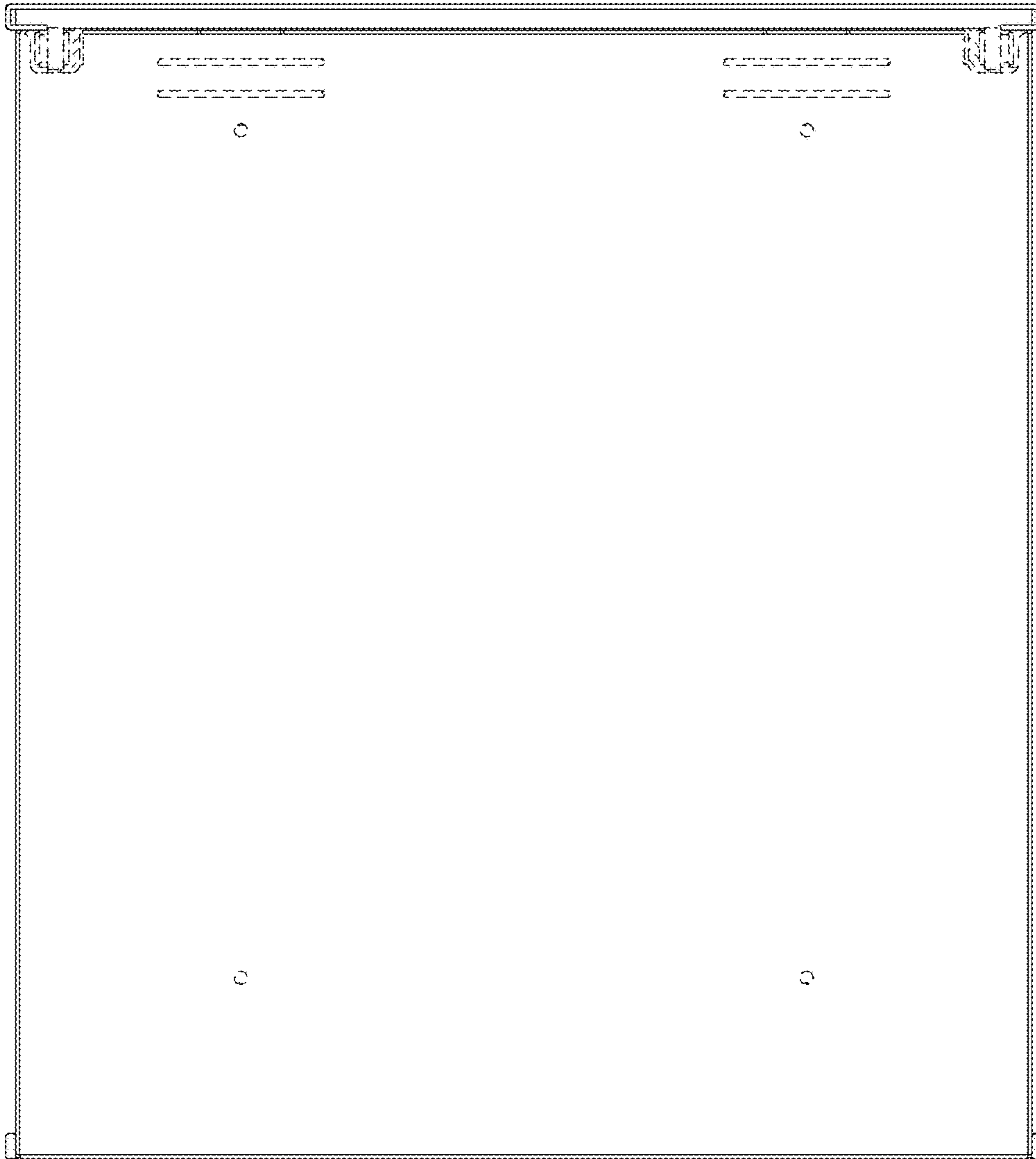


FIG. 7

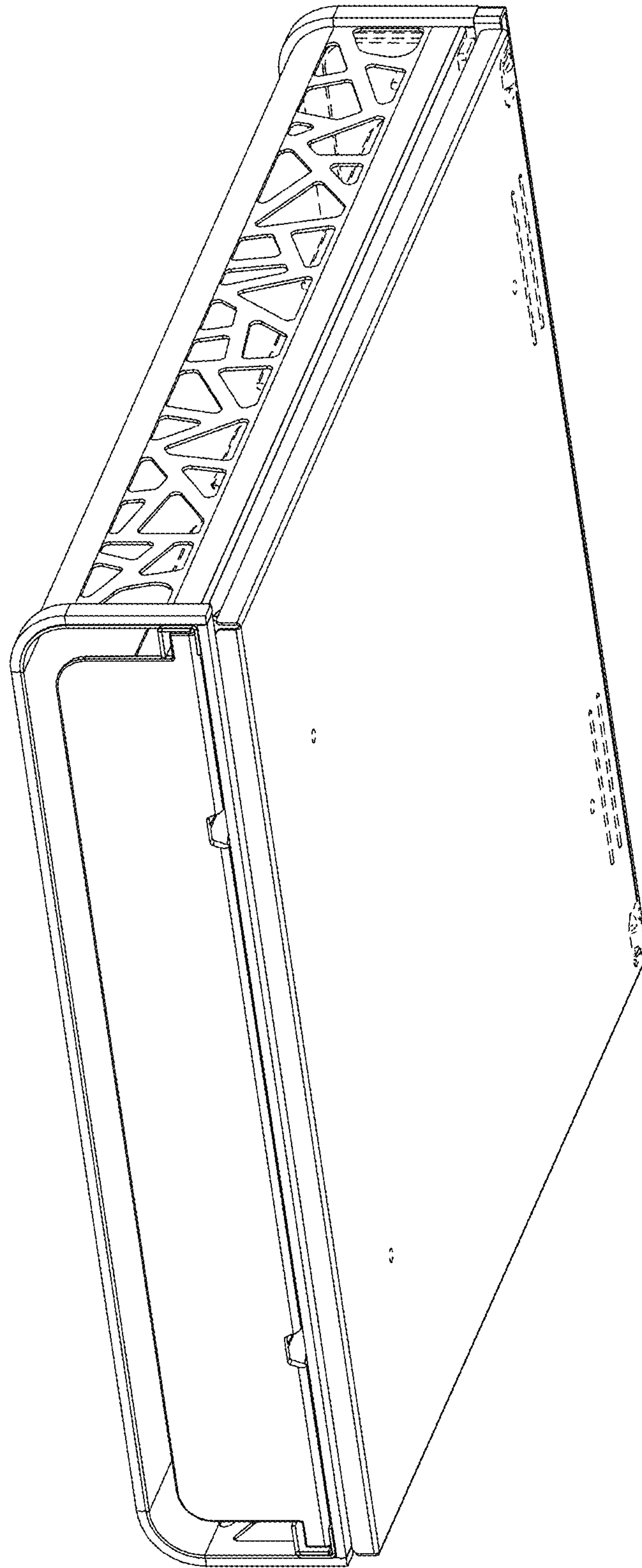


FIG. 8