



US00D817718S

(12) **United States Design Patent**  
**Furneaux et al.**

(10) **Patent No.:** **US D817,718 S**

(45) **Date of Patent:** **\*\* May 15, 2018**

(54) **INSULATED COCKTAIL GLASS**

(71) Applicant: **Sovaro Coolers, LLC**, Roswell, GA (US)

(72) Inventors: **Todd McLean Furneaux**, Rosewell, GA (US); **Michael Thuma**, La Grange, IL (US); **Michael R. Vogler**, Oswego, IL (US)

(73) Assignee: **Sovaro Coolers, LLC**, Roswell, GA (US)

(\*\*) Term: **15 Years**

(21) Appl. No.: **29/592,983**

(22) Filed: **Feb. 3, 2017**

(51) **LOC (11) Cl.** ..... **07-01**

(52) **U.S. Cl.**  
USPC ..... **D7/532; D7/523; D7/608**

(58) **Field of Classification Search**  
USPC ..... D7/507, 509, 510, 511, 523, 527, 529, D7/531, 532, 533, 534, 535, 536, 608, D7/300, 300.1, 300.2, 552.1, 319, 393, D7/394, 387, 391, 392.1, 396.2; D34/39; D9/503, 907, 531, 435, 436, 454, 449, D9/443; 220/592.16, 592.17, 495.03, 220/705-710  
CPC ..... A47G 19/22; A47G 19/2205; A47G 19/2222; A45F 3/16; A45F 3/20; B67D 7/06; B67D 1/0004; B65D 25/14  
See application file for complete search history.

(56) **References Cited**

**U.S. PATENT DOCUMENTS**

D70,329 S \* 6/1926 Johnson ..... 220/710.5  
D256,669 S \* 9/1980 Mitchell ..... D9/428

D489,501 S *	5/2004	Dretzka	.....	D34/1
D559,039 S *	1/2008	Freeman	.....	D7/509
D574,192 S *	8/2008	Schosser	.....	D7/509
D596,074 S *	7/2009	Bodum	.....	D11/155
D622,548 S *	8/2010	Jensen	.....	D7/509
D667,151 S *	9/2012	Arslanian	.....	D26/9
D672,481 S *	12/2012	Arslanian	.....	D26/22
D681,459 S *	5/2013	Ramsey	.....	D9/452
D682,088 S *	5/2013	de Urquijo Carmona	....	D9/428
D682,104 S *	5/2013	Ramsey	.....	D9/452
D688,098 S *	8/2013	Miller	.....	D7/523
D714,589 S *	10/2014	Uchida	.....	D7/523
D770,231 S *	11/2016	Hume	.....	D7/523
D795,017 S *	8/2017	Freeman	.....	D7/584

\* cited by examiner

*Primary Examiner* — Marianne Pandozzi

*Assistant Examiner* — Jae Liang

(74) *Attorney, Agent, or Firm* — McHale & Slavin, P.A.

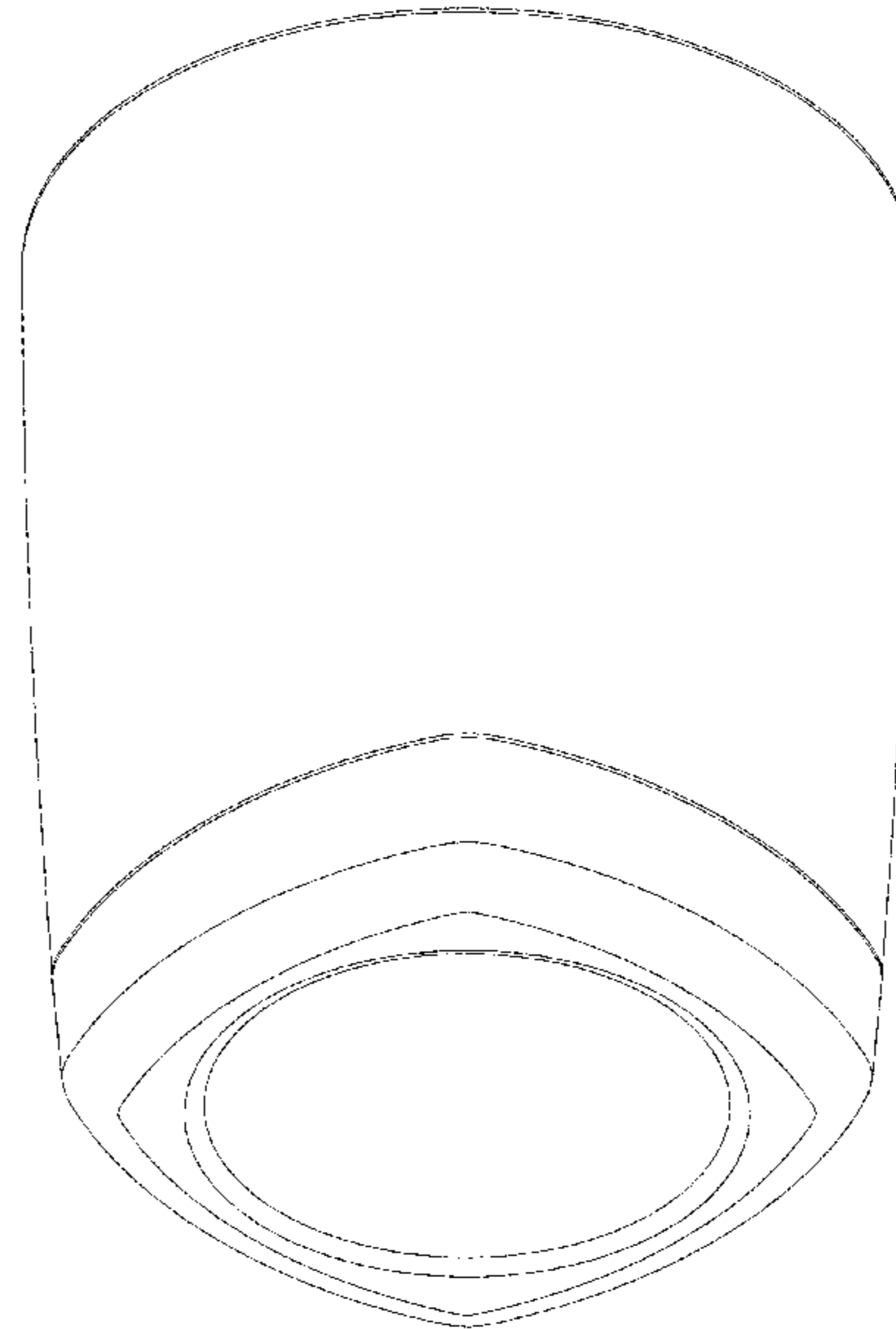
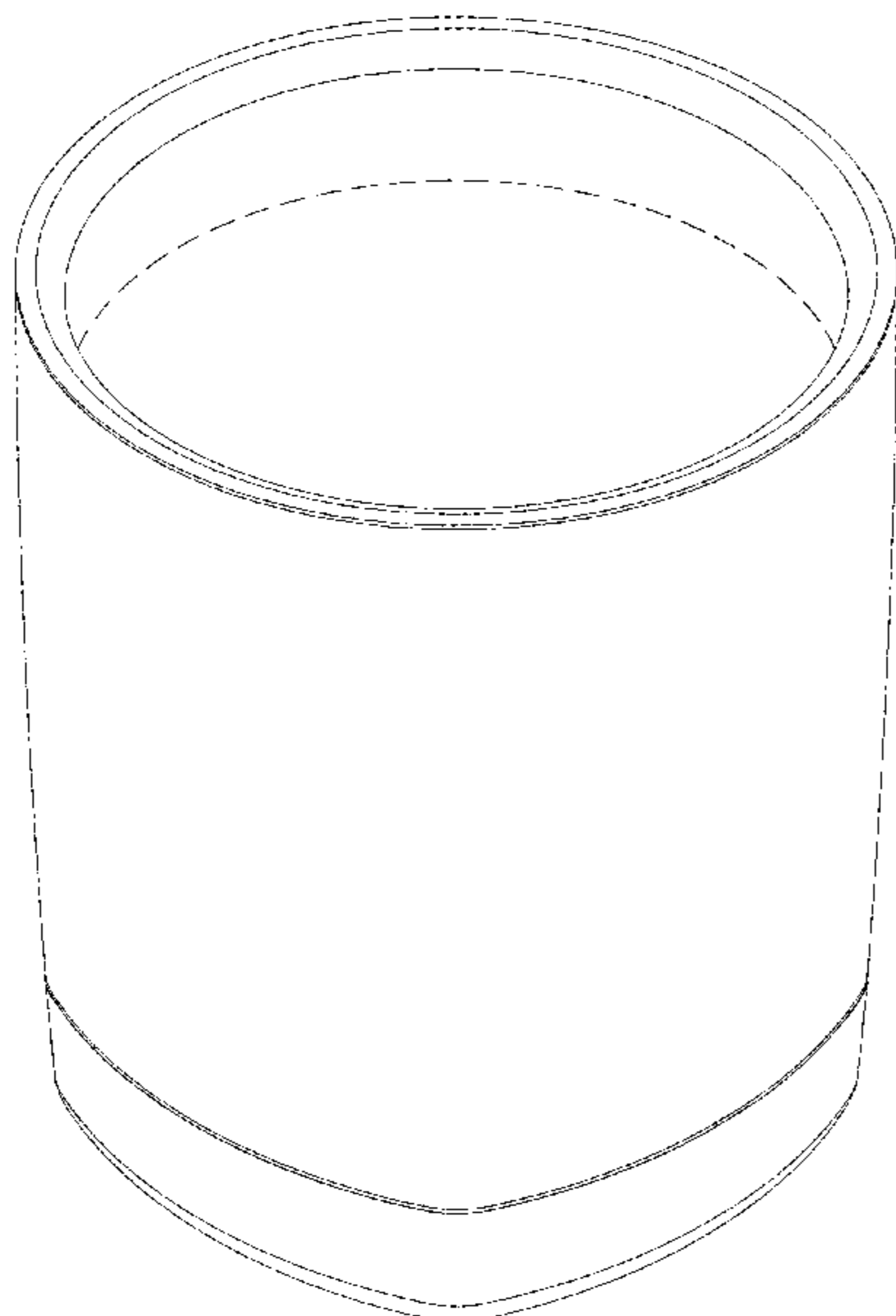
(57) **CLAIM**

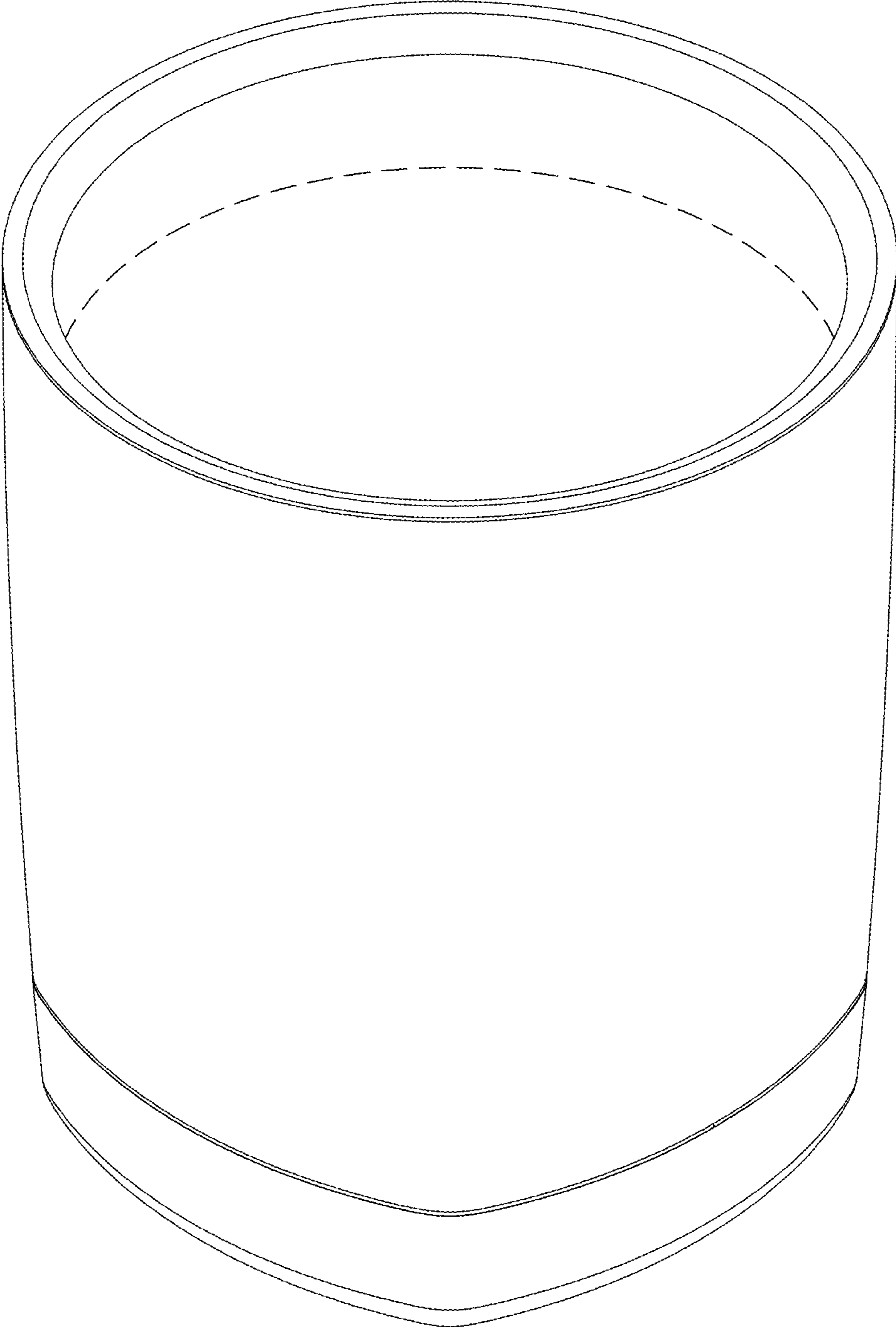
The ornamental design for an insulated cocktail glass, as shown and described.

**DESCRIPTION**

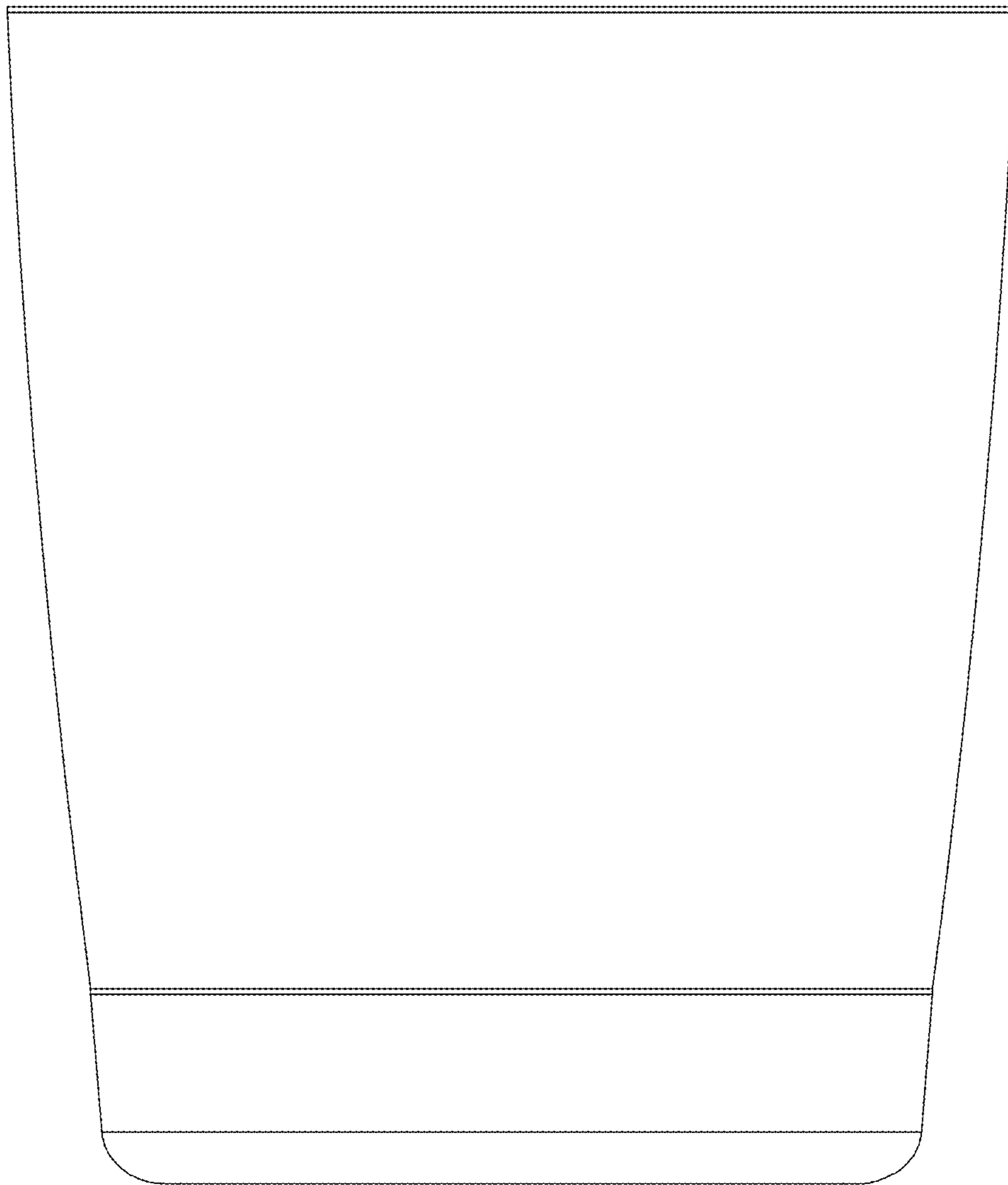
FIG. 1 is a top left isometric view of an insulated cocktail glass showing our new design;  
FIG. 2 is a front view thereof;  
FIG. 3 is a rear view thereof;  
FIG. 4 is a left side view thereof;  
FIG. 5 is a right side view thereof;  
FIG. 6 is a bottom view thereof;  
FIG. 7 is a top view thereof;  
FIG. 8 is a top right isometric view thereof; and,  
FIG. 9 is a bottom isometric view thereof.  
The broken lines in the drawings depict portions of the insulated cocktail glass that form no part of the claimed design.

**1 Claim, 9 Drawing Sheets**

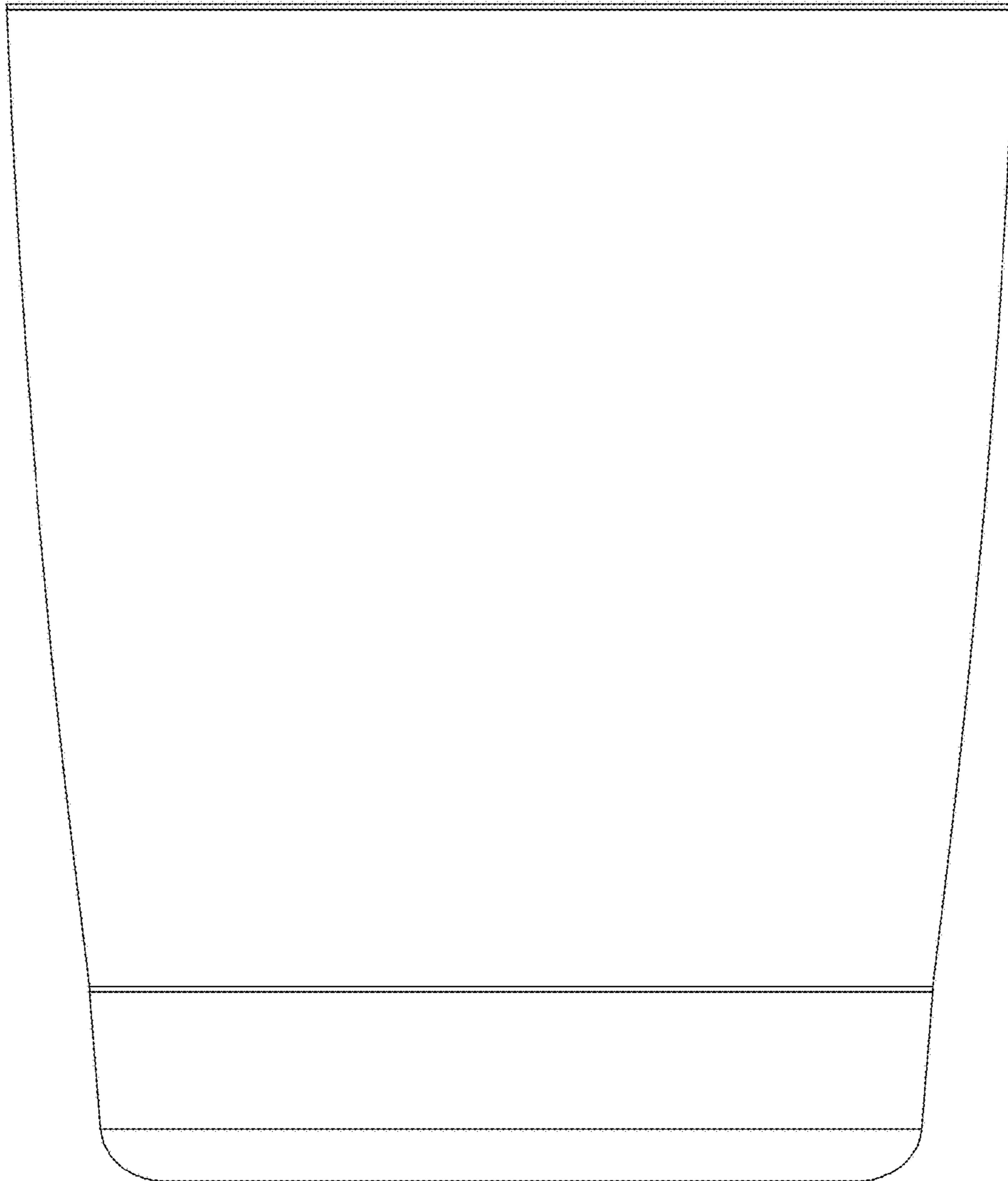




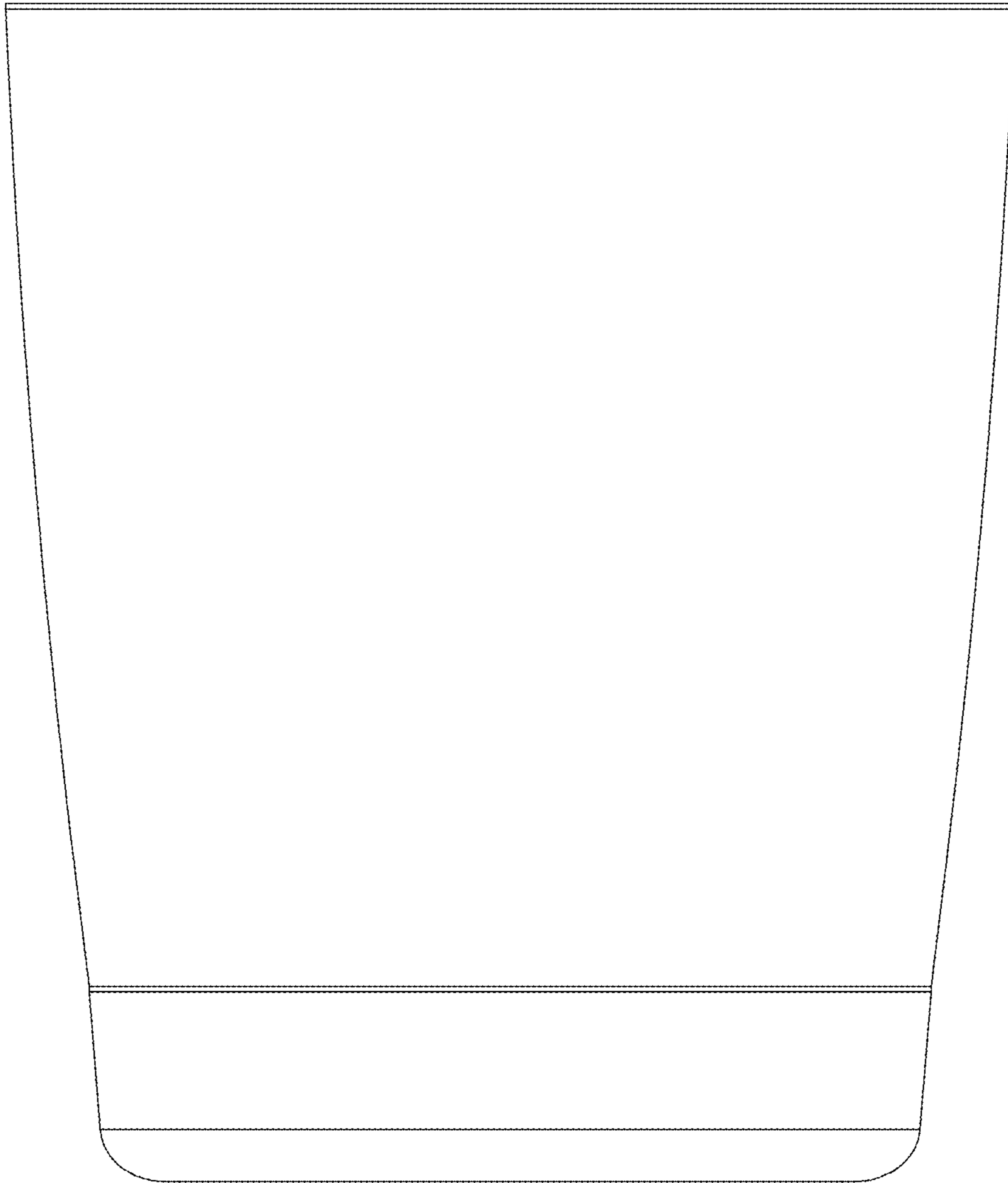
*Fig. 1*



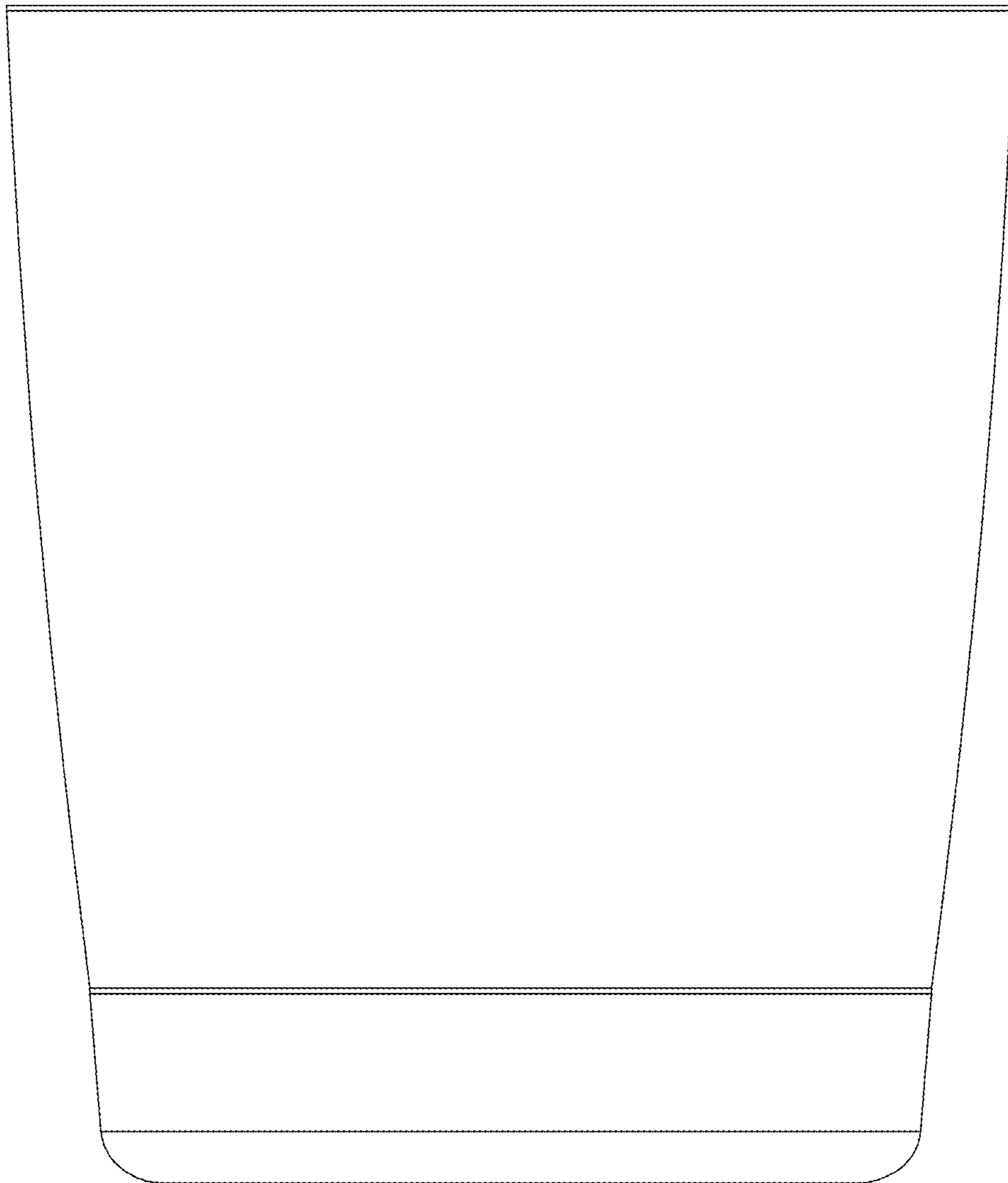
*Fig. 2*



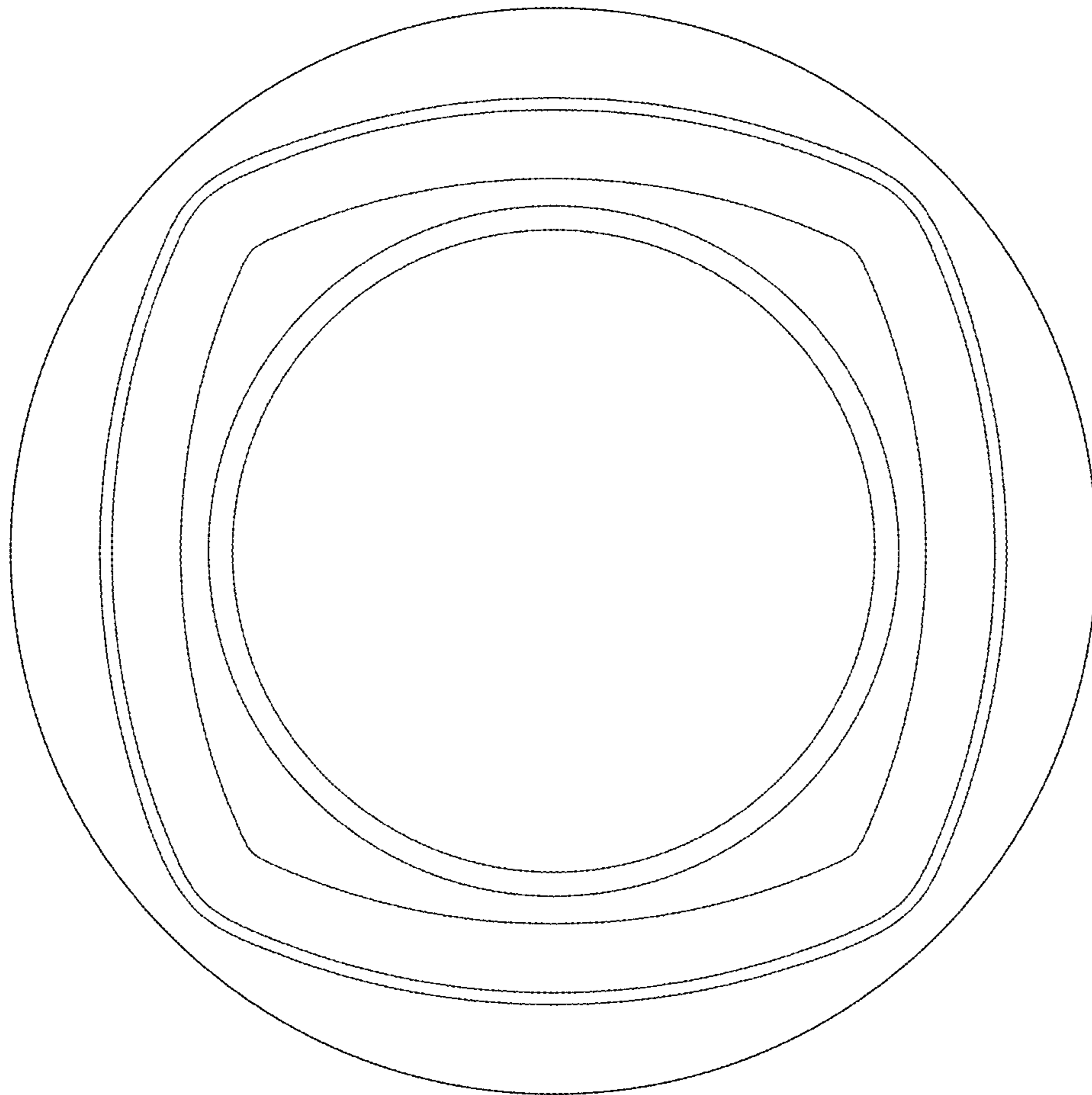
*Fig. 3*



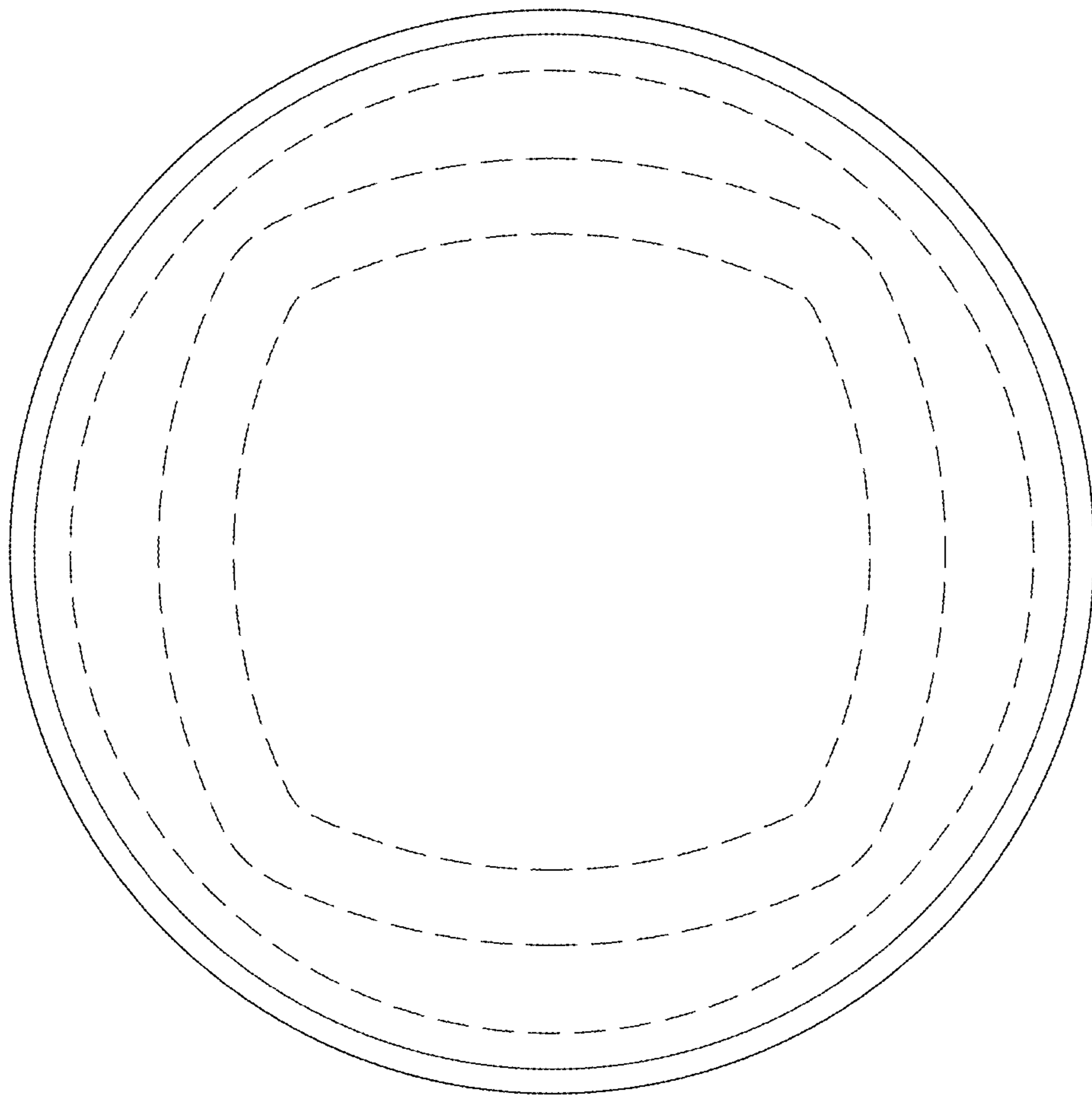
*Fig. 4*



*Fig. 5*

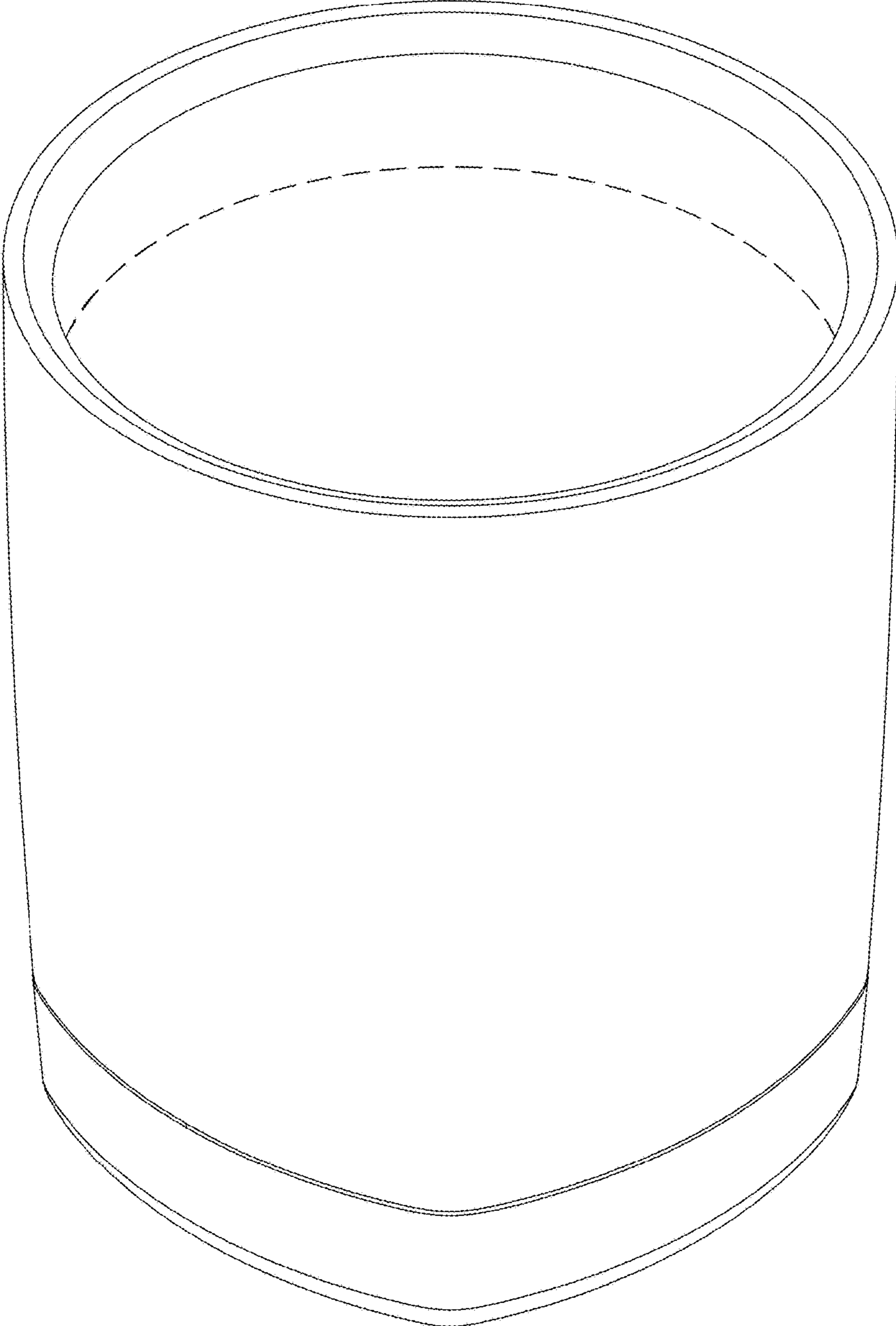


*Fig. 6*

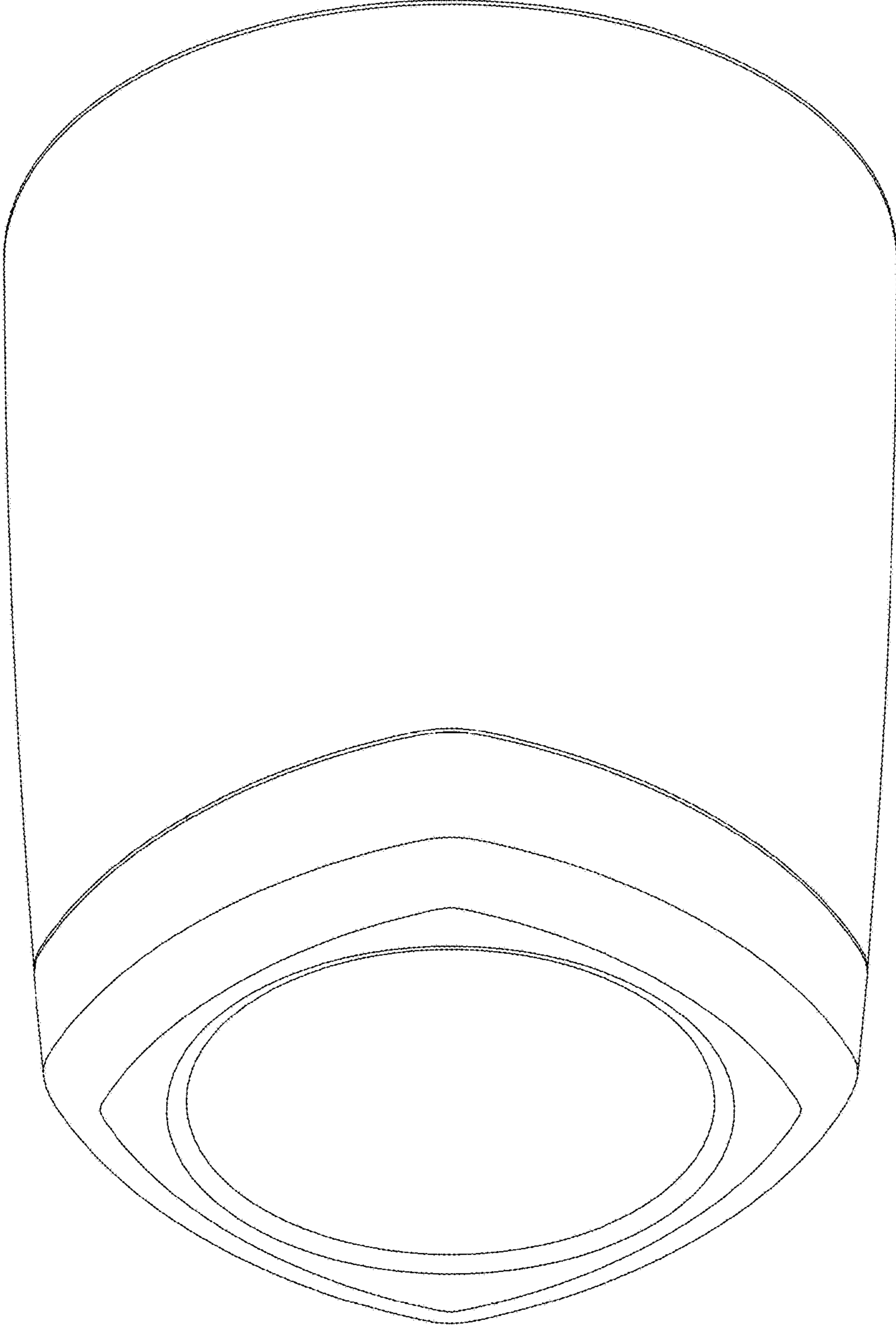


*Fig. 7*





*Fig. 8*



*Fig. 9*