



US00D817717S

(12) **United States Design Patent**
Eriksen

(10) **Patent No.:** **US D817,717 S**
(45) **Date of Patent:** **** May 15, 2018**

(54) **CUP**

FOREIGN PATENT DOCUMENTS

(71) Applicant: **Flavour Creations Pty Ltd**, Tennyson (AU)

EP 1561406 10/2005
WO 2015138885 9/2015

(72) Inventor: **Bernadette Mary Eriksen**, Tennyson (AU)

OTHER PUBLICATIONS

(73) Assignee: **Flavour Creations Pty Ltd**, Queensland (AU)

Food Packaging Design Accessibility Guidelines, Arthritis Australia, Published prior to Sep. 2, 2015.

(**) Term: **15 Years**

* cited by examiner

(21) Appl. No.: **29/559,635**

Primary Examiner — Daniel D Bui
Assistant Examiner — Andrew Kerr

(22) Filed: **Mar. 30, 2016**

(74) *Attorney, Agent, or Firm* — Renner, Otto, Boisselle & Sklar, LLP

(51) **LOC (11) Cl.** **07-01**

(57) **CLAIM**

(52) **U.S. Cl.**

The ornamental design for a cup, as shown and described.

USPC **D7/531; D7/523**

DESCRIPTION

(58) **Field of Classification Search**

USPC D07/510, 511, 523, 529, 531, 532, D07/533-536, 608, 300.1, 591, 392.1, D07/396.2; D09/503, 504, 516-575
CPC A47G 19/22; A47G 19/2205; A47G 19/2266; A47G 19/2272; A45F 3/16
See application file for complete search history.

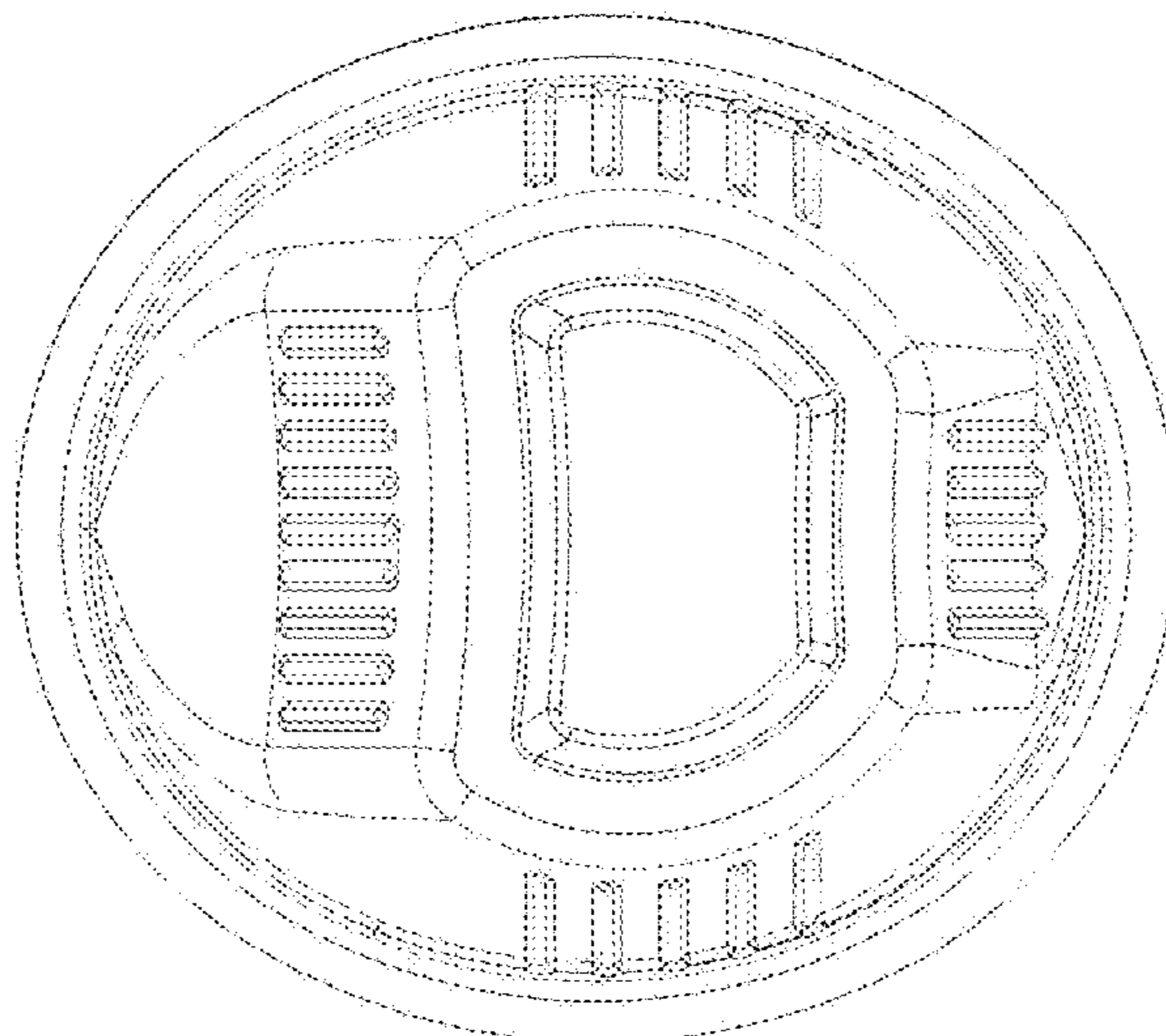
FIG. 1 is a top plan view of a cup showing my new design; FIG. 2 is a bottom plan view of the cup of FIG. 1; FIG. 3 is a front plan view of the cup of FIG. 1; FIG. 4 is a rear plan view of the cup of FIG. 1; FIG. 5 is a right side plan view of the cup of FIG. 1; FIG. 6 is a left side plan view of the cup of FIG. 1; FIG. 7 is an isometric view of the cup of FIG. 1; FIG. 8 is a perspective view of the cup of FIG. 1; FIG. 9 is a top plan view of another embodiment of a cup showing my new design; FIG. 10 is a bottom plan view of the cup of FIG. 9; FIG. 11 is a front plan view of the cup of FIG. 9; FIG. 12 is a rear plan view of the cup of FIG. 9; FIG. 13 is a right side plan view of the cup of FIG. 9; FIG. 14 is a left side plan view of the cup of FIG. 9; FIG. 15 is an isometric view of the cup of FIG. 9; and, FIG. 16 is a perspective view of the cup of FIG. 9.

(56) **References Cited**

U.S. PATENT DOCUMENTS

5,323,928 A 6/1994 Stevens
D711,195 S * 8/2014 Cornu D10/46.2
D716,648 S * 11/2014 Tan D9/416
8,925,760 B1 * 1/2015 Baker A47G 19/2266
220/713
D738,213 S * 9/2015 Agassi D9/449
D739,038 S * 9/2015 Perry D24/224
D747,187 S * 1/2016 Cochran D9/416
D753,482 S * 4/2016 Serrano D9/428

1 Claim, 8 Drawing Sheets



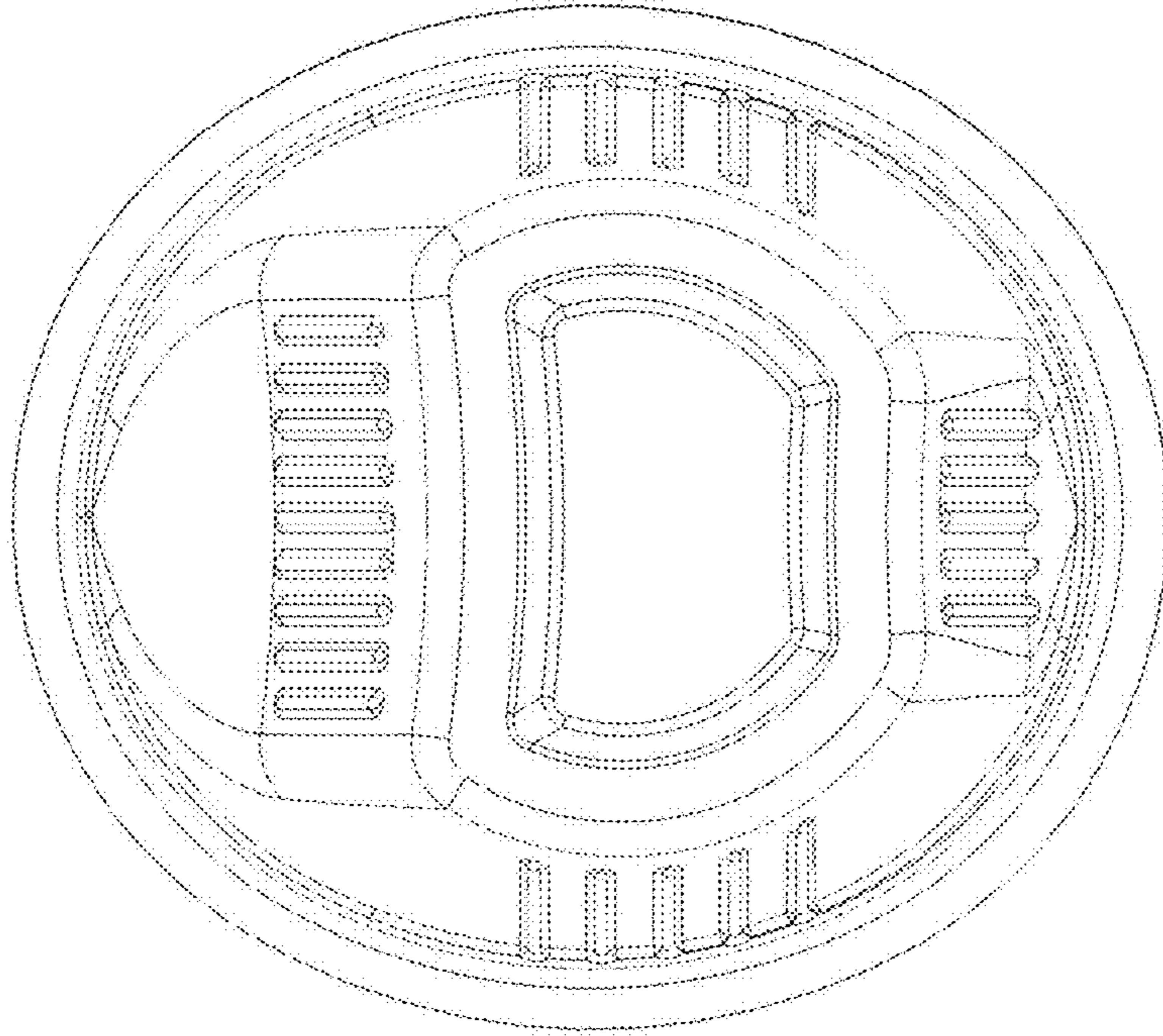


FIGURE 1

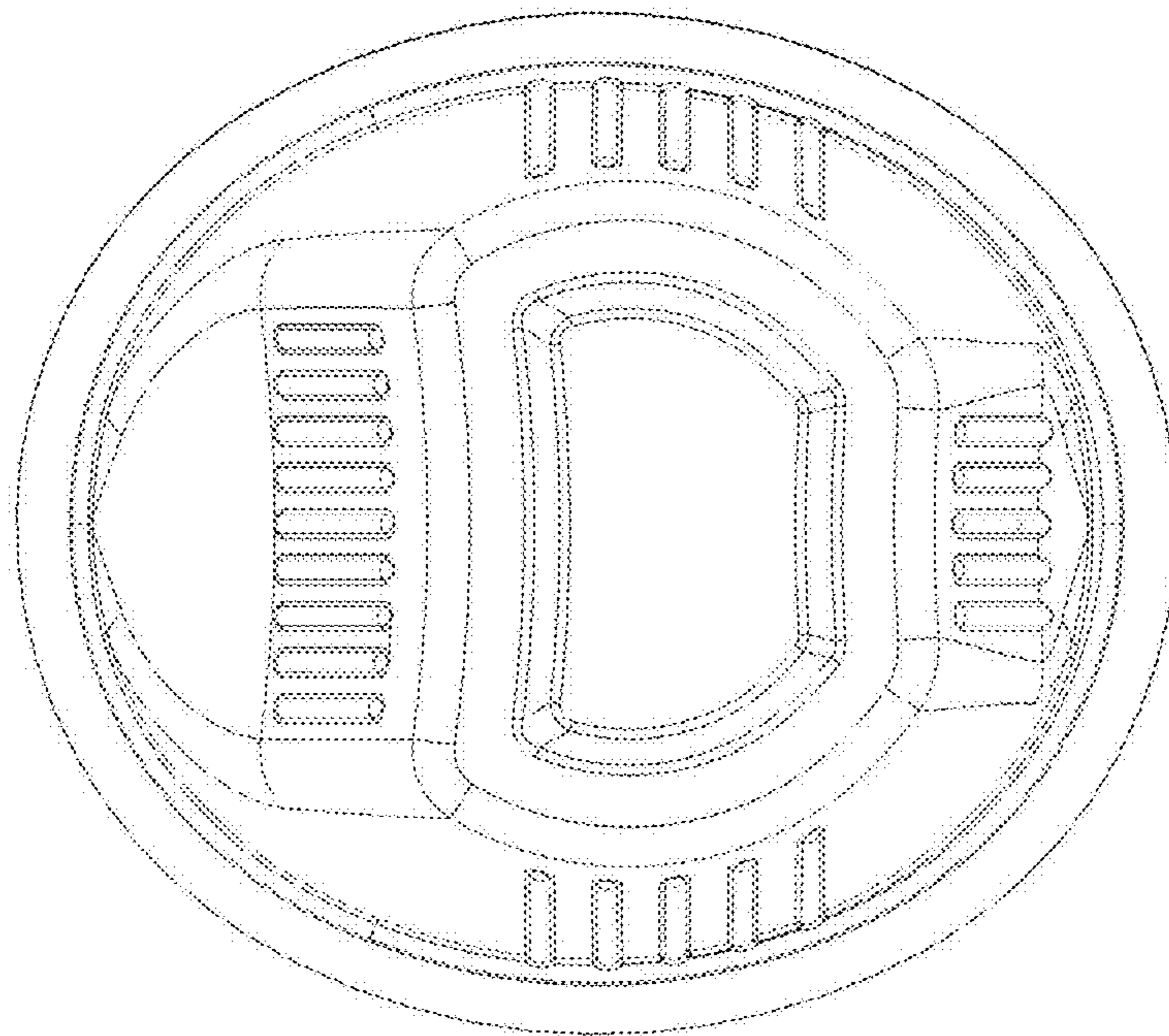


FIGURE 2

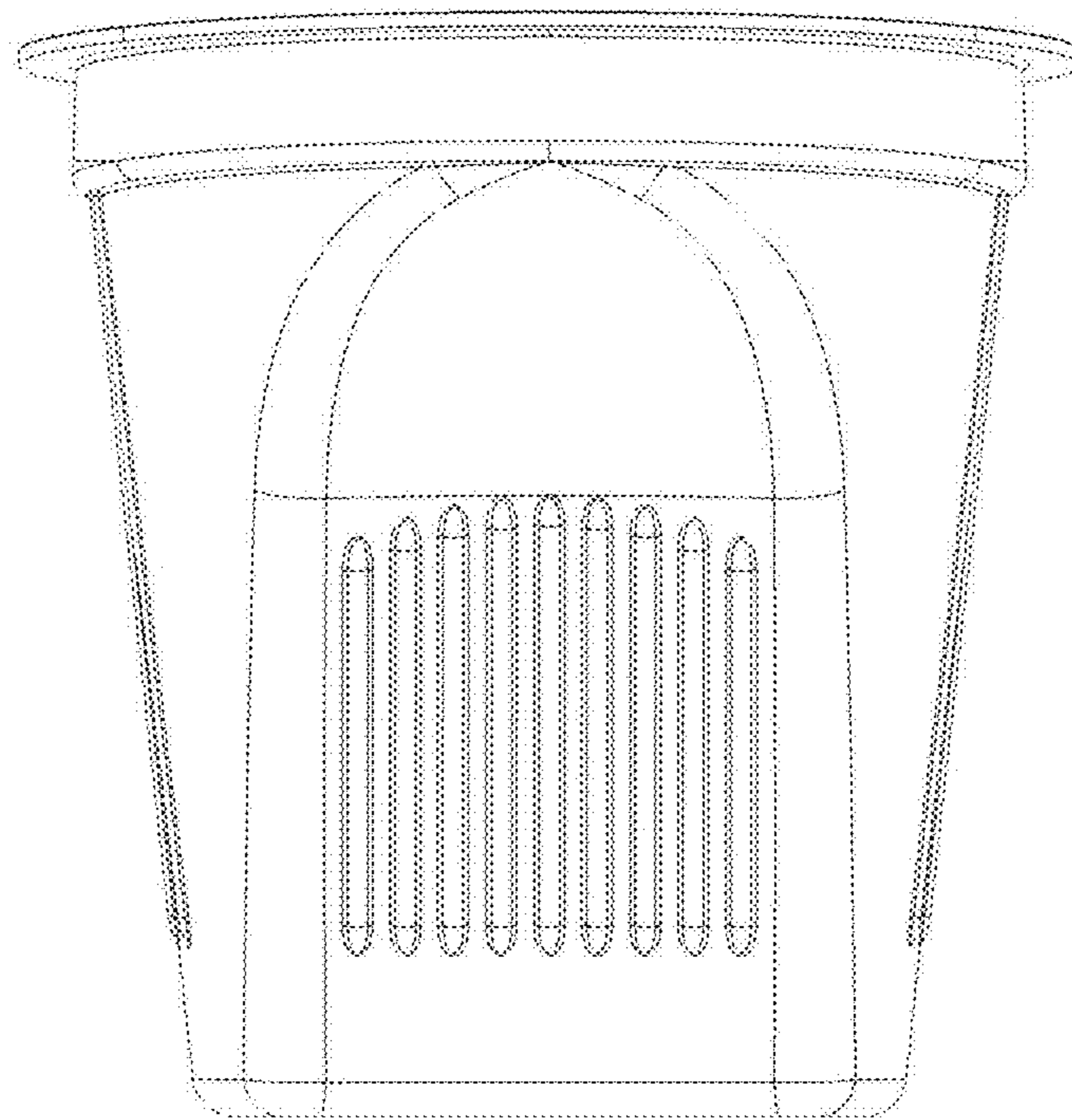


FIGURE 3

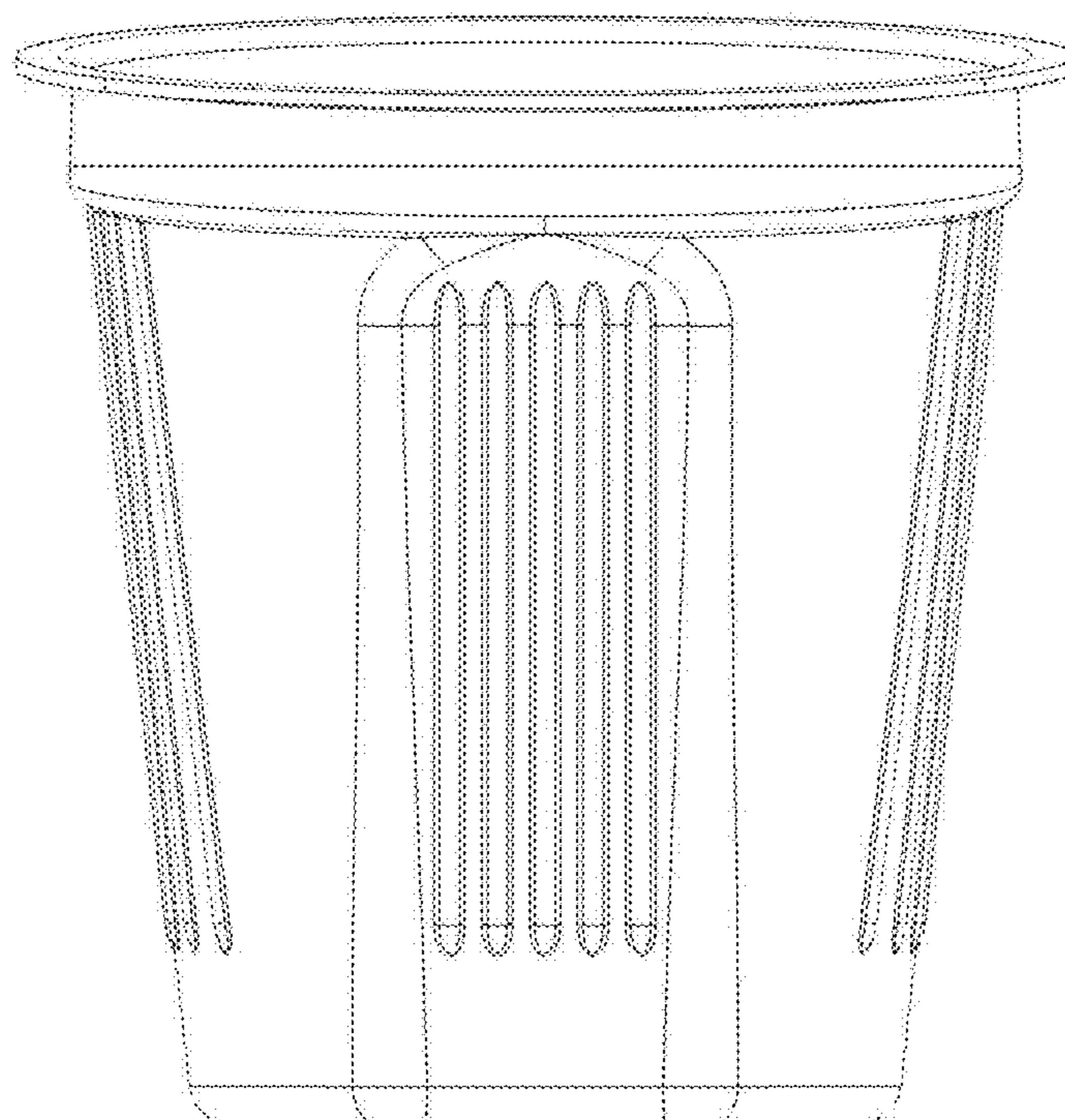


FIGURE 4

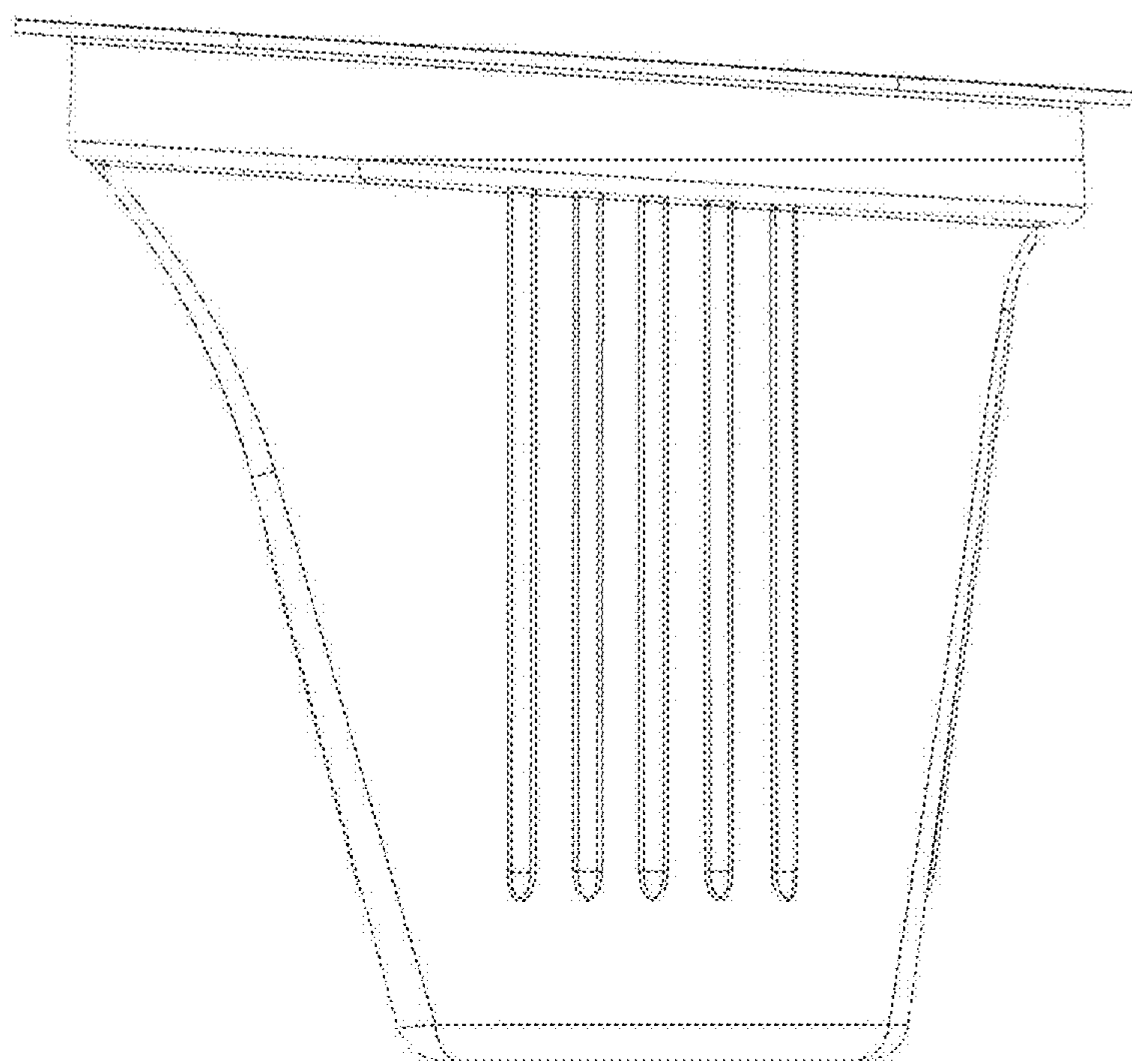


FIGURE 5

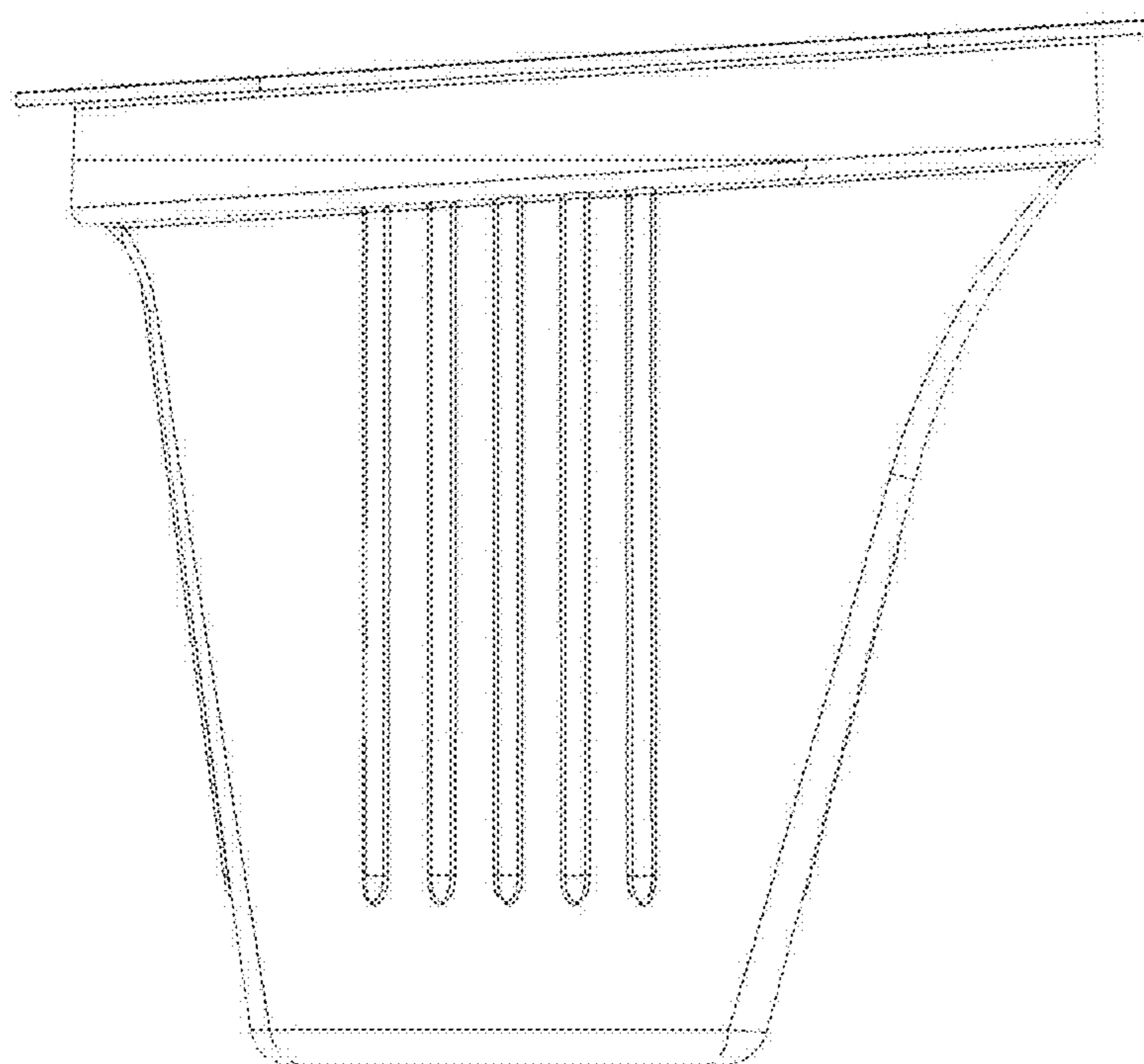


FIGURE 6

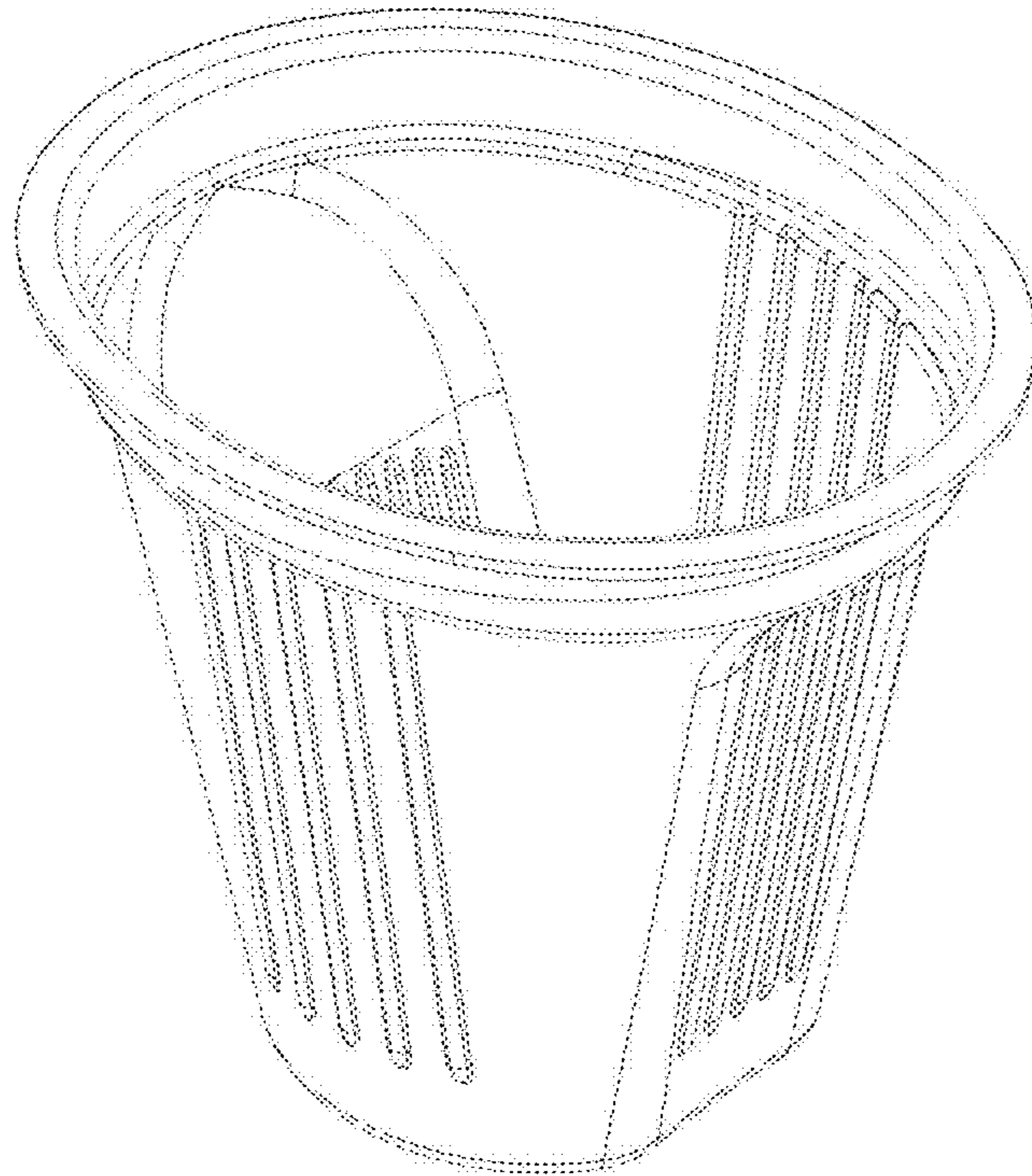


FIGURE 7

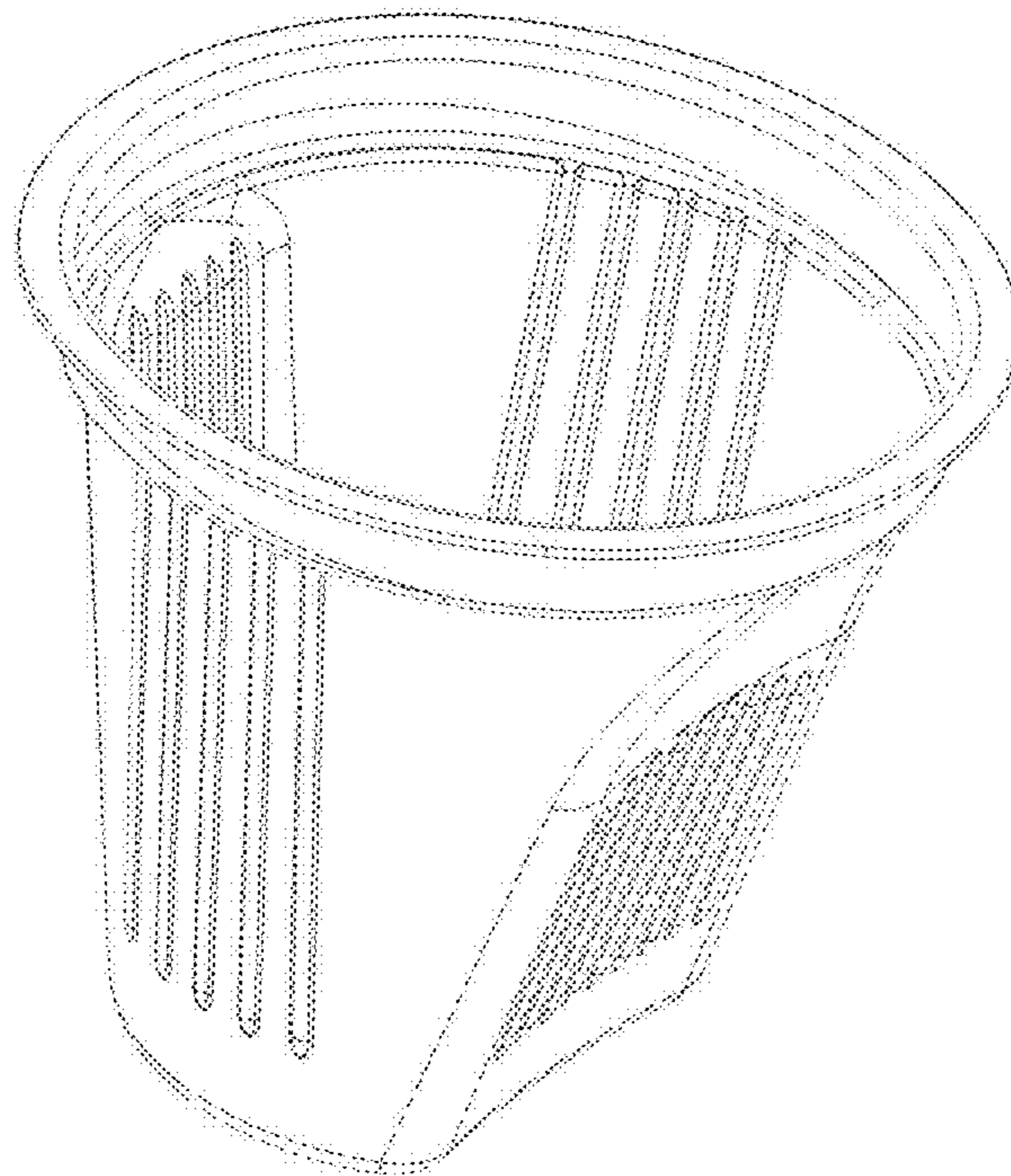


FIGURE 8

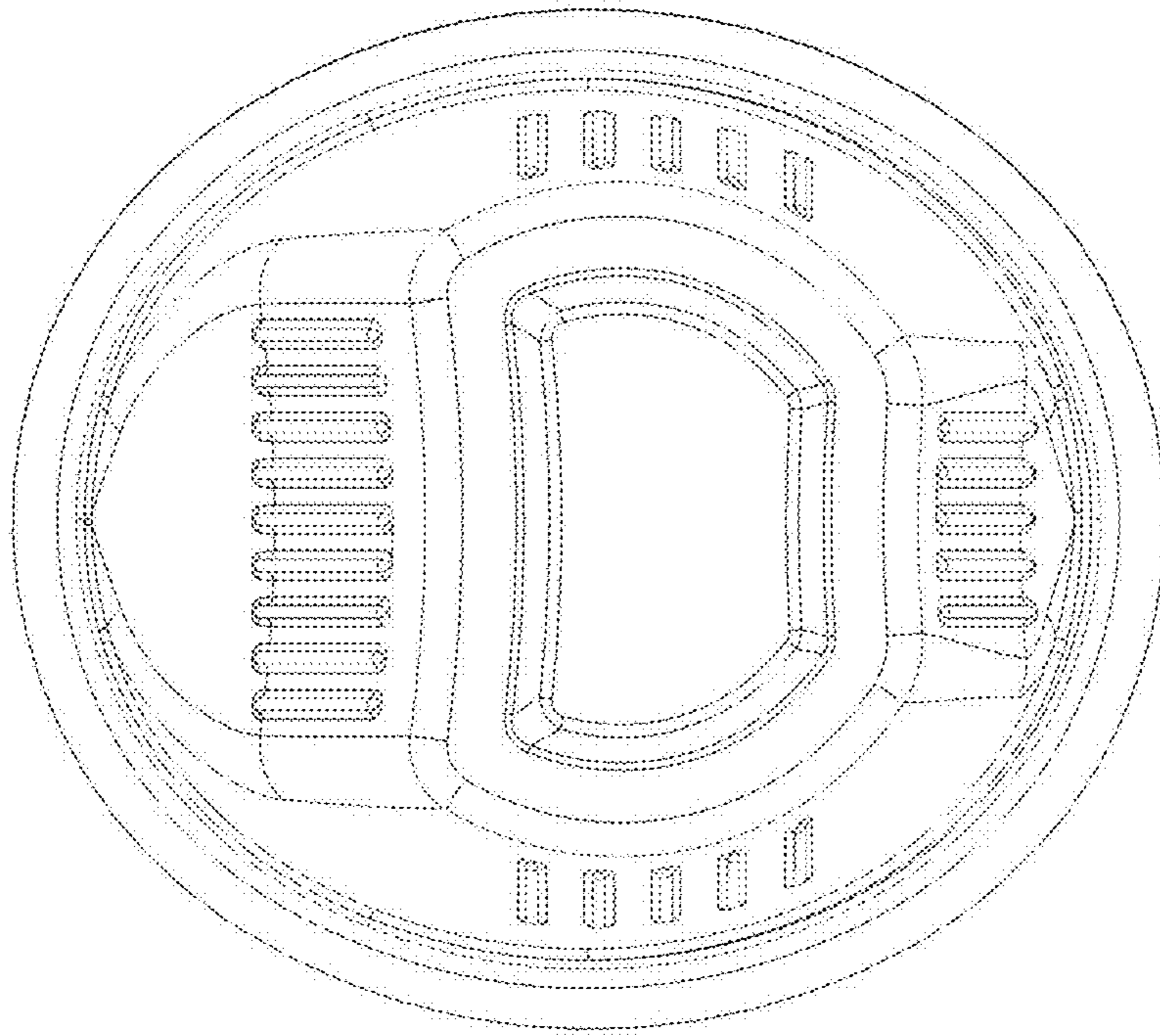


FIGURE 9

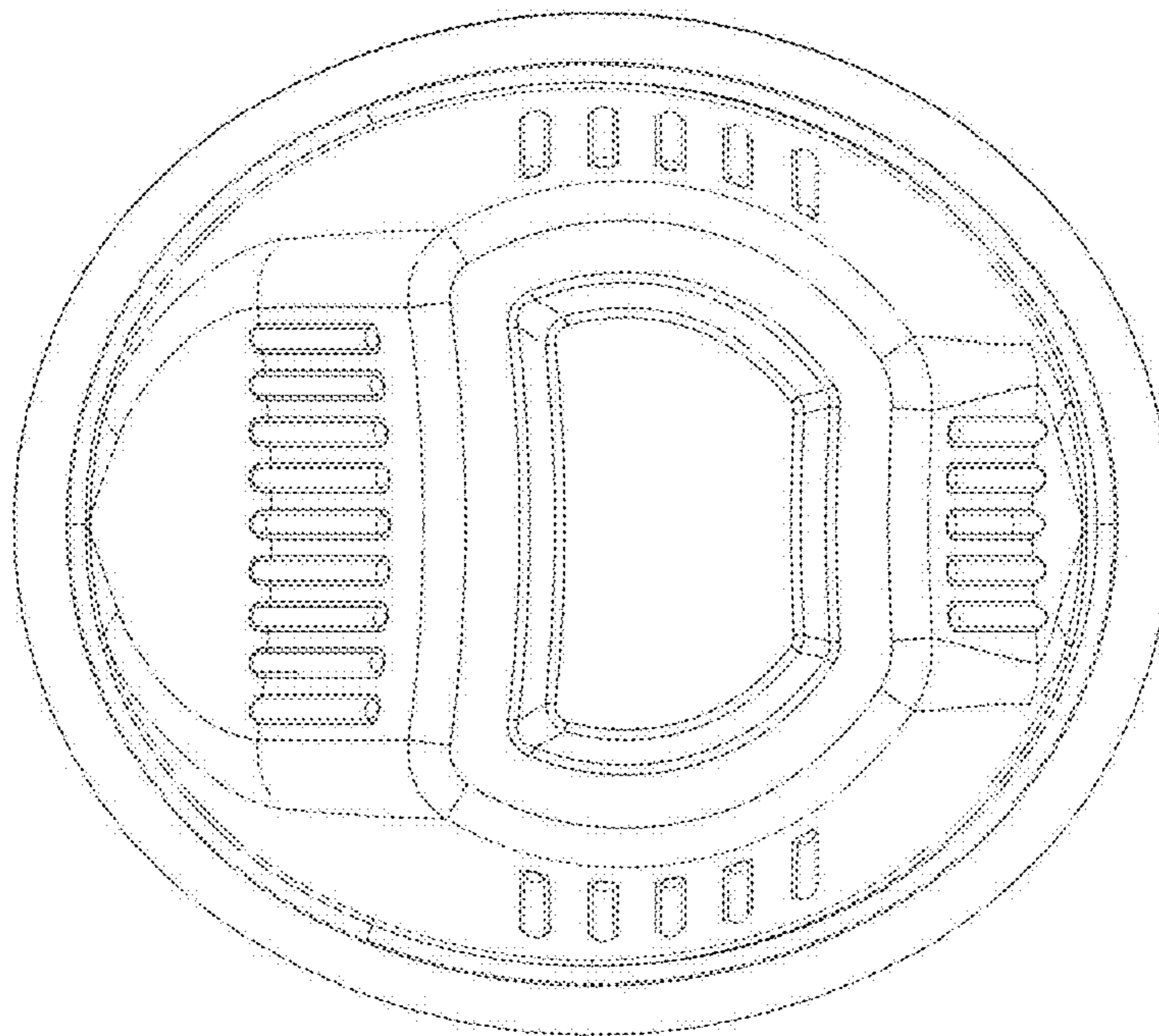


FIGURE 10

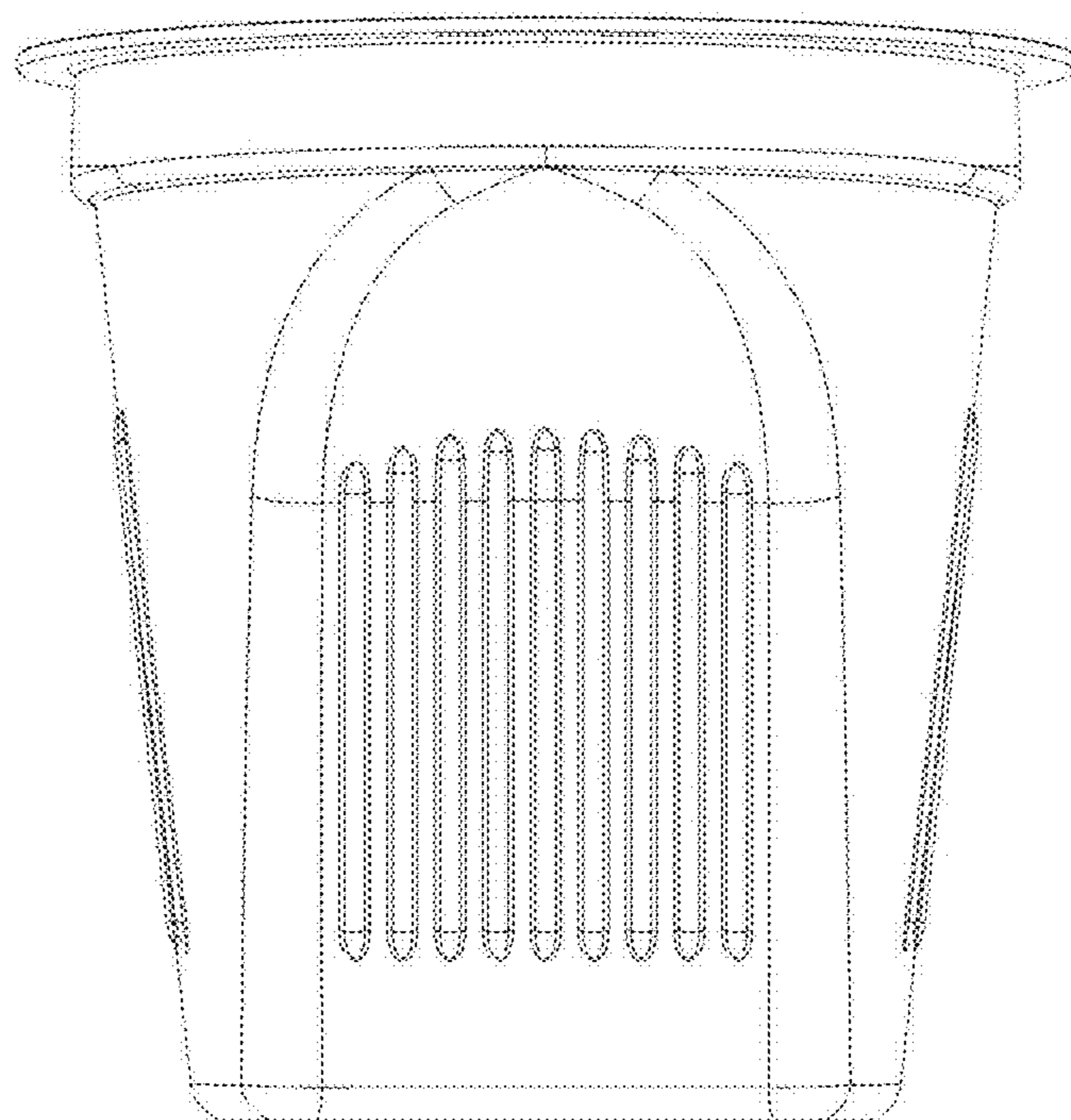


FIGURE 11

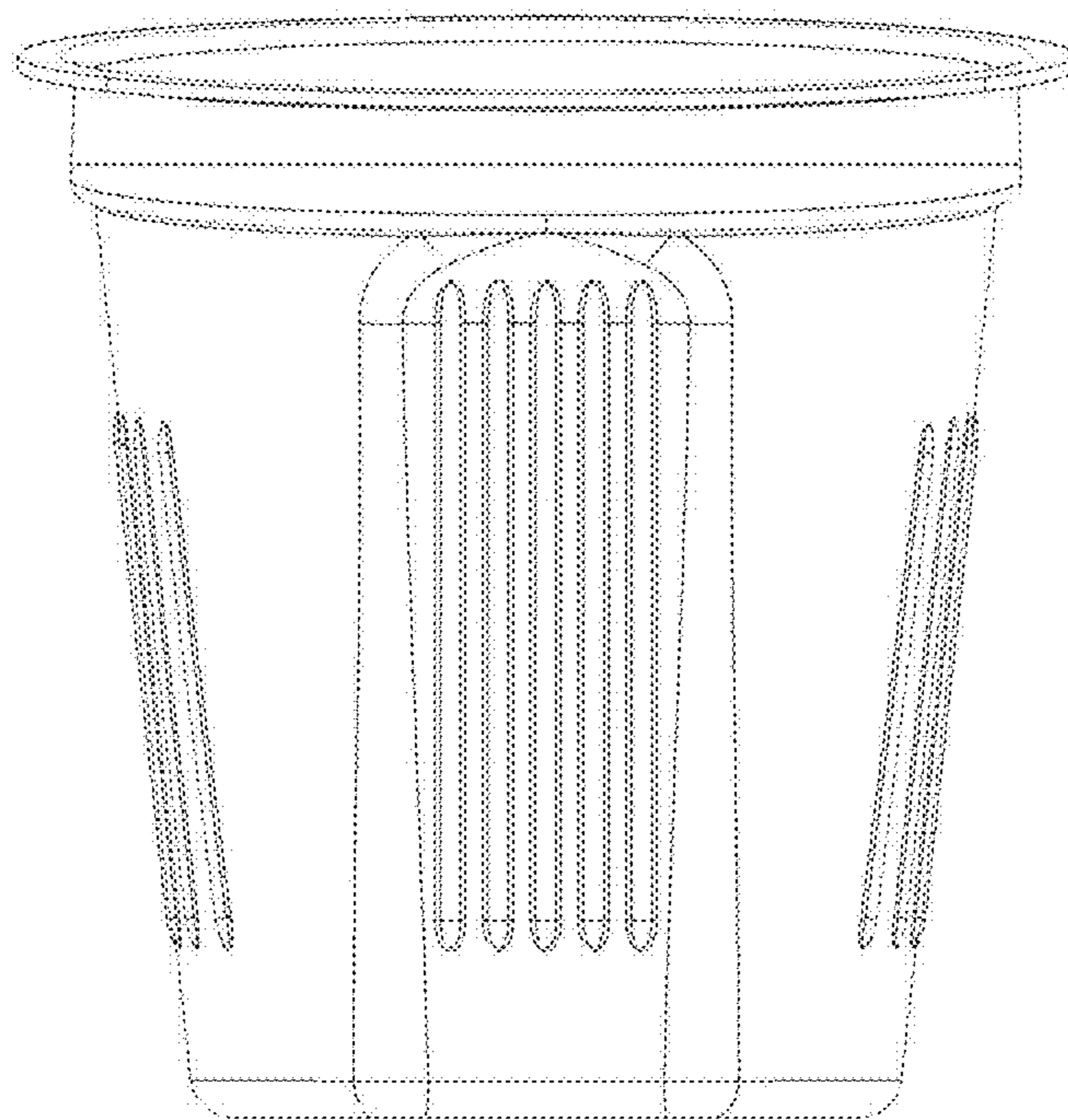


FIGURE 12

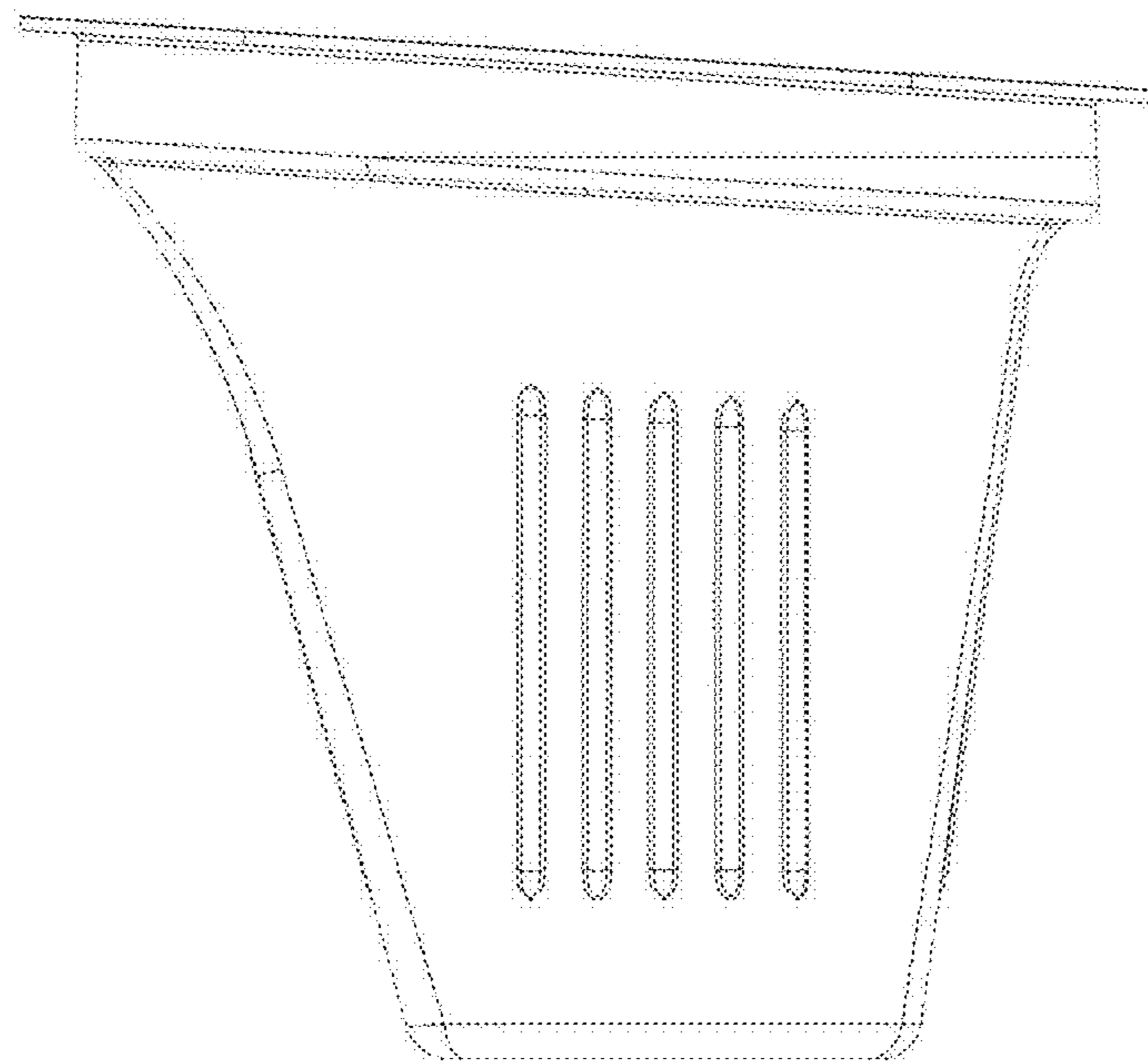


FIGURE 13

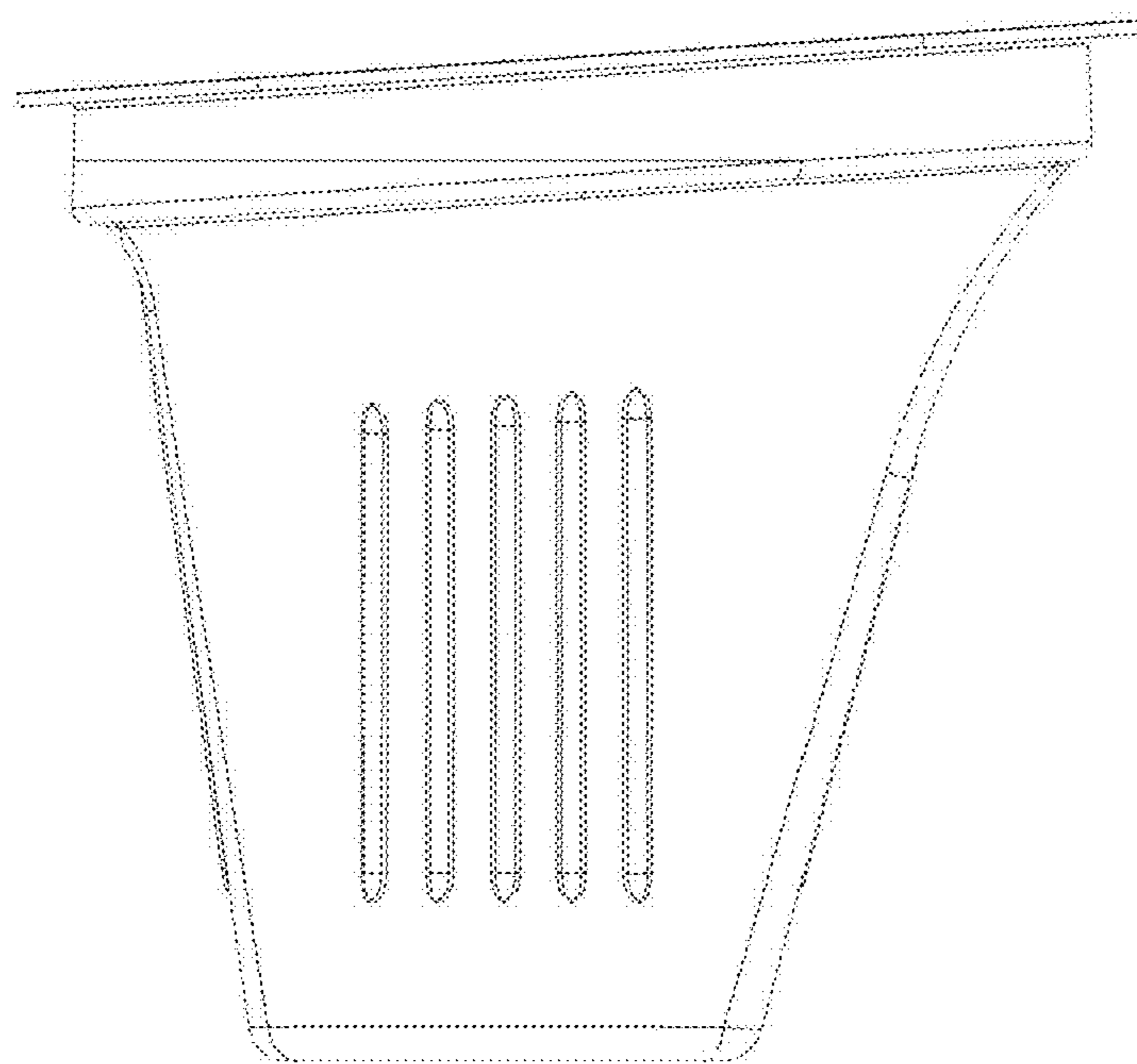


FIGURE 14

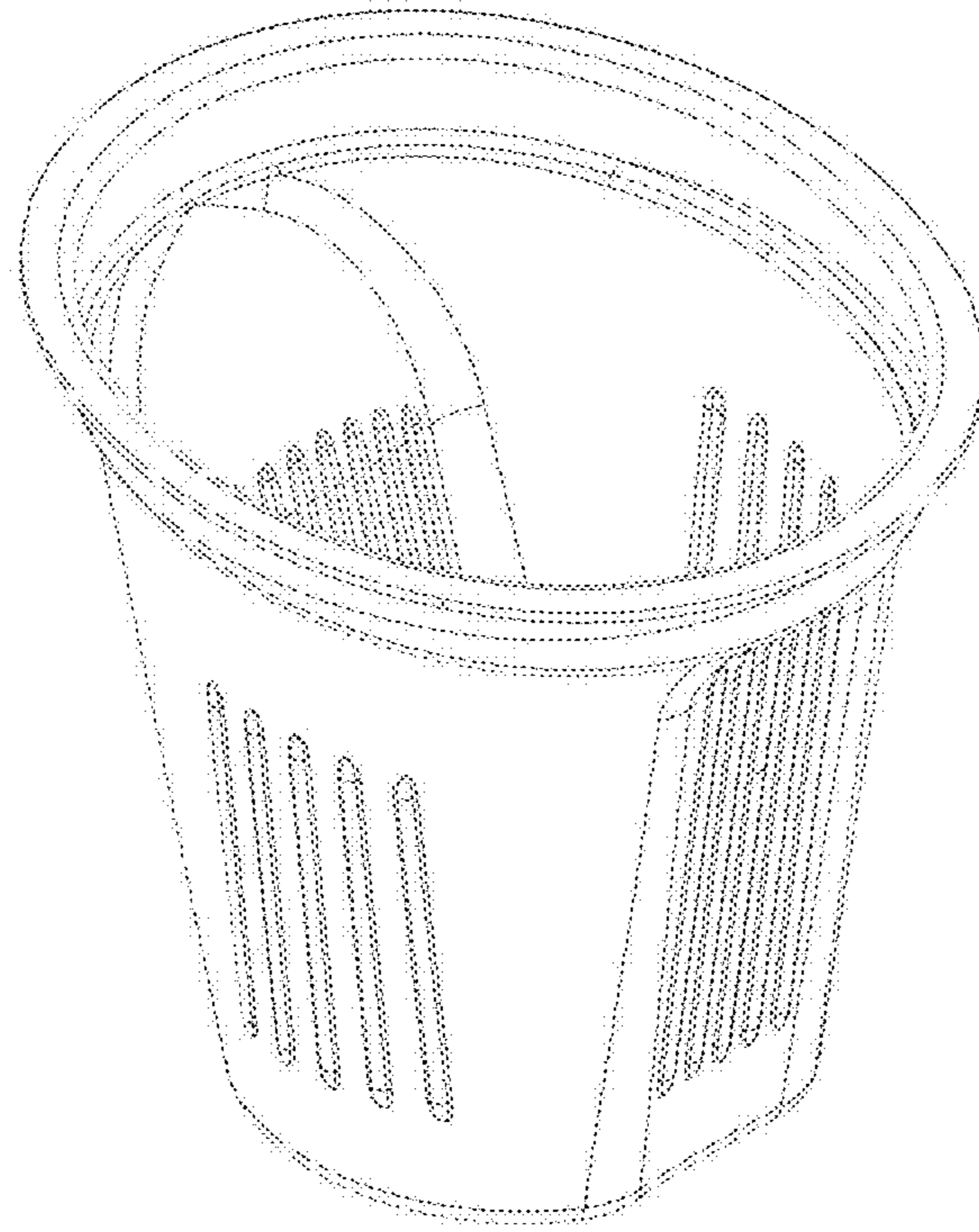


FIGURE 15

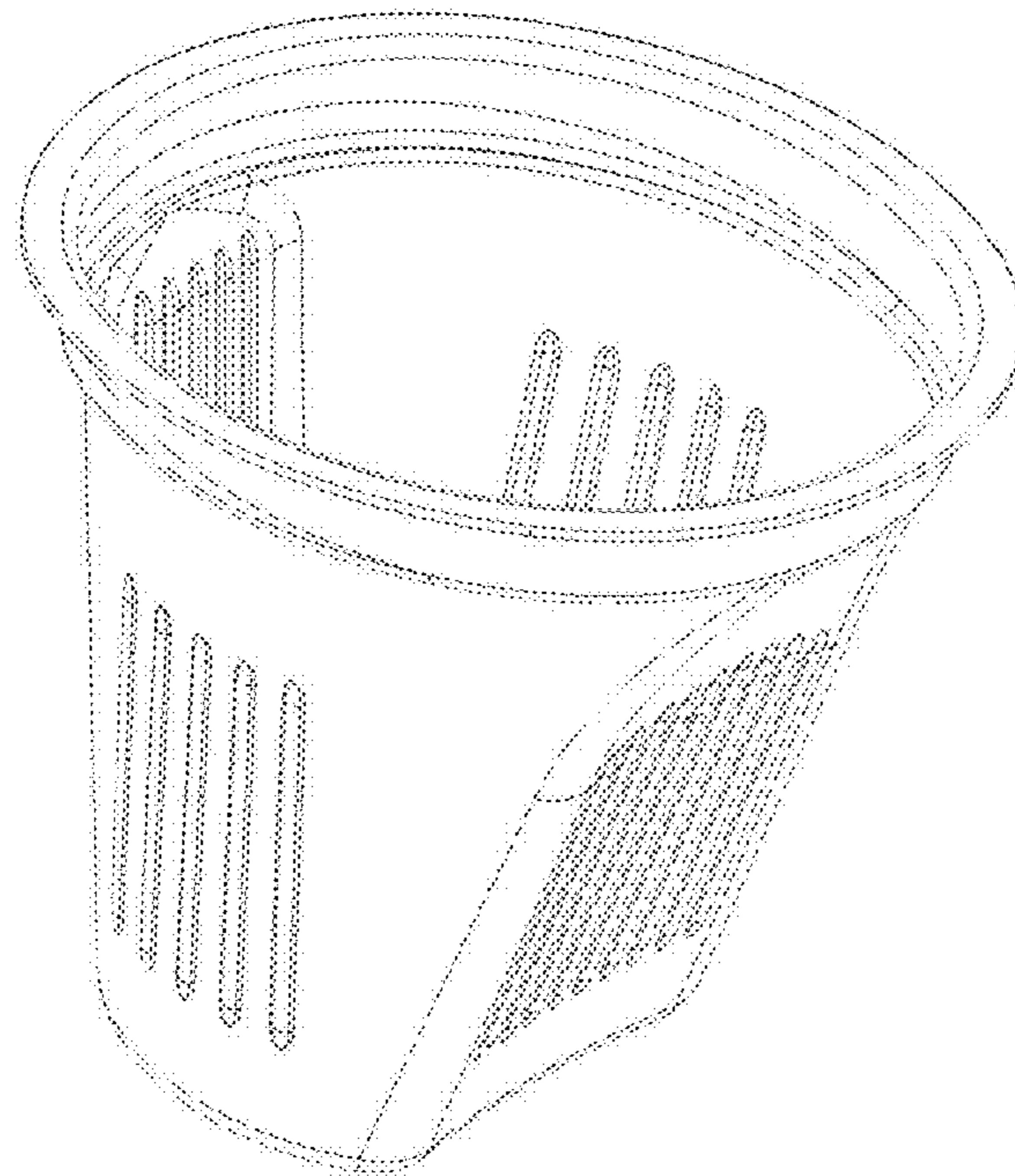


FIGURE 16