



US00D817716S

(12) **United States Design Patent** (10) **Patent No.:** **US D817,716 S**
Dewey (45) **Date of Patent:** **** May 15, 2018**

(54) **BEER MUG**

(71) Applicant: **STANLEY STEIN LLC**, Wheeling, IL (US)

(72) Inventor: **Roger Dewey**, Wheeling, IL (US)

(73) Assignee: **THE HOCKEY CUP, LLC**, Wheeling, IL (US)

(**) Term: **15 Years**

(21) Appl. No.: **29/570,598**

(22) Filed: **Jul. 10, 2016**

(51) **LOC (11) Cl.** **07-01**

(52) **U.S. Cl.**
USPC **D7/515; D7/532; D7/536**

(58) **Field of Classification Search**
USPC D7/507, 509, 505, 510, 511, 512, 514, D7/151, 518, 521, 300, 300.1, 529, 532, D7/533, 534, 536, 515; D21/405, 406, D21/411; 220/592.16, 592.17; D24/197; D11/160, 152, 95
CPC B65D 1/36; B65D 25/10; B65D 47/066; A61J 9/00; A47J 43/27; A47G 19/22; A47G 19/2222

See application file for complete search history.

(56) **References Cited**

U.S. PATENT DOCUMENTS

D5,977 S 7/1872 Hobbs
D7,342 S 1/1874 Bakewell
D37,297 S 1/1905 Maddock
D167,545 S 4/1952 Smith
D243,074 S * 1/1977 Kulp D10/113.3
D244,337 S * 5/1977 Sirisky D7/515

(Continued)

FOREIGN PATENT DOCUMENTS

CA 169440 2/2017
CA 171797 2/2017

(Continued)

OTHER PUBLICATIONS

Human Stanley Mug (Hockey), <https://www.lookhuman.com/design/81265stanleymughockey?special=Welcome10&gclid=CJzmxOCQ8cwCFYKBaQodx4UM6g>.

(Continued)

Primary Examiner — Marianne Pandozzi

Assistant Examiner — Jae Liang

(74) *Attorney, Agent, or Firm* — Law Offices of Konrad Sherinian, LLC

(57) **CLAIM**

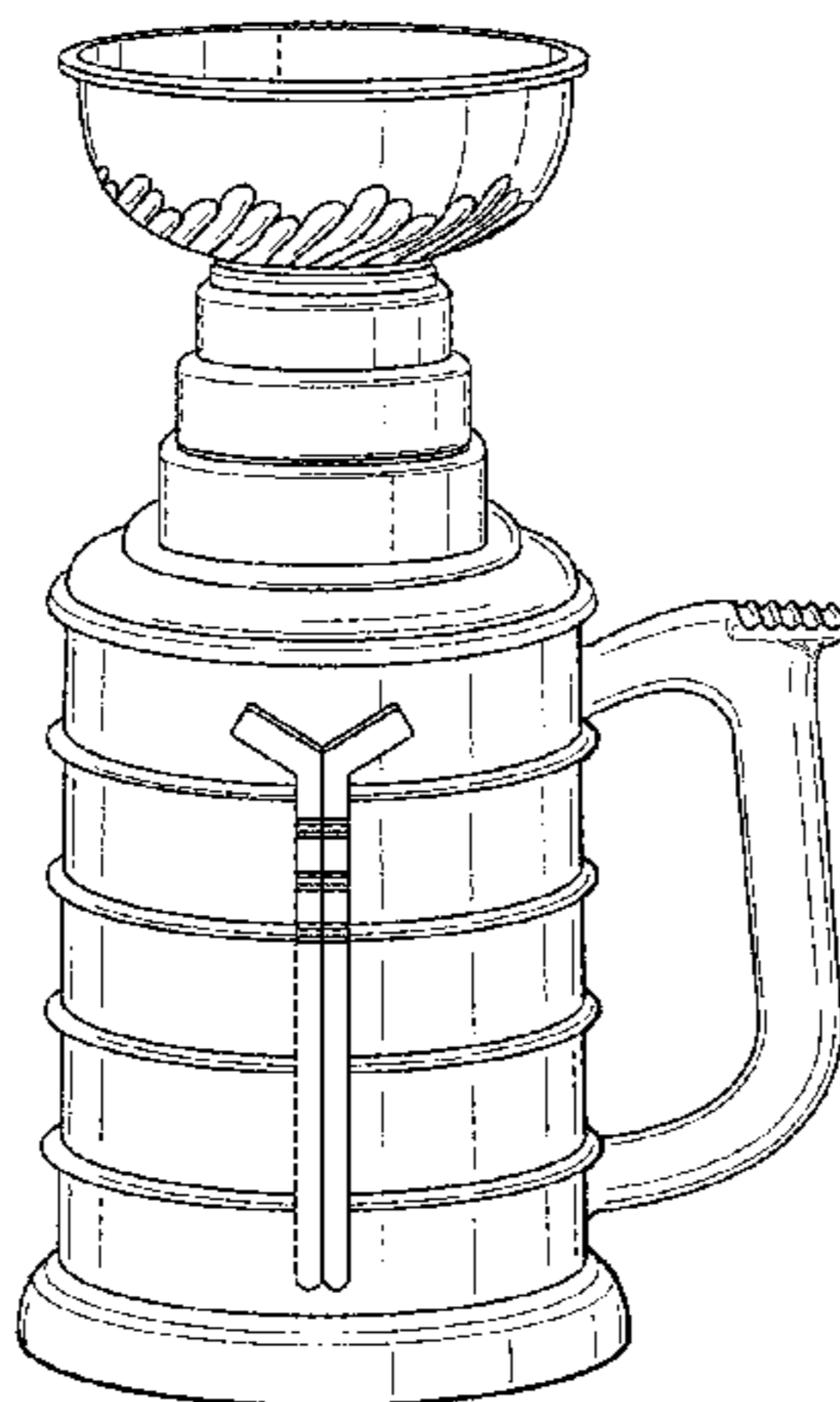
The ornamental design for a beer mug, as shown and described.

DESCRIPTION

FIG. 1 is a front perspective view of a first embodiment of a beer mug showing my new design; FIG. 2 is a rear perspective view thereof; FIG. 3 is a rear side view thereof; FIG. 4 is a front side view thereof; FIG. 5 is a right side view thereof; FIG. 6 is a left side view thereof; FIG. 7 is a top view thereof; FIG. 8 is a bottom view thereof; FIG. 9 is a front perspective view of a second embodiment of a beer mug; FIG. 10 is a rear perspective view thereof; FIG. 11 is a rear side view thereof; FIG. 12 is a front side view thereof; FIG. 13 is a right side view thereof; FIG. 14 is a left side view thereof; FIG. 15 is a top view thereof; and, FIG. 16 is a bottom view thereof.

The broken lines in the drawings depict portions of the beer mug that form no part of the claimed design.

1 Claim, 6 Drawing Sheets



(56)

References Cited

U.S. PATENT DOCUMENTS

4,618,066 A * 10/1986 Vail A47J 41/00
206/217

D292,463 S 10/1987 Petrsek

D331,684 S 12/1992 Trombley

5,398,842 A * 3/1995 Sokolski A47G 19/2272
220/367.1

D369,277 S 4/1996 Lin

D369,945 S * 5/1996 Mulyanto D7/318

D373,290 S 9/1996 Ballin

D376,731 S 12/1996 Lin

D381,559 S * 7/1997 Browne D7/512

D388,509 S * 12/1997 Hsiao D23/328

D419,868 S 2/2000 DeVore

D426,750 S 6/2000 Madden-Askew

D434,313 S * 11/2000 Tiroto D9/600

D451,762 S 12/2001 Tessmer

D454,033 S 3/2002 Miller

D456,215 S 4/2002 DuBow

D461,367 S * 8/2002 Scott D7/515

6,527,137 B1 * 3/2003 Kleckauskas A47G 19/2227
215/388

D473,753 S 4/2003 Hanson

D503,073 S * 3/2005 Lapsker D7/523

D506,356 S * 6/2005 Norris D7/510

D506,643 S * 6/2005 Norris D7/532

D553,911 S 10/2007 Bodum

D588,409 S * 3/2009 Kleckauskas D7/507

D588,410 S * 3/2009 Kleckauskas D7/507

D620,314 S * 7/2010 Dorsey D7/507

D650,236 S * 12/2011 Schmidt D7/533

D667,272 S 9/2012 Fishman

D668,148 S 10/2012 Sory

D720,187 S * 12/2014 Romley D7/532

D731,856 S * 6/2015 Hill A47G 19/2266
D7/532

FOREIGN PATENT DOCUMENTS

CA 171798 2/2017

CA 171799 2/2017

OTHER PUBLICATIONS

Legends of Hockey NHL Trophies Stanley Cup Trustees, https://www.hhof.com/htmlSilverware/silver_stTrustees.shtml.

Stanley Cup Beer Mug on The Hunt, <https://www.thehunt.com/thehunt/7z54Erstanleycupbeermug>.

NHL Stanley Cup Wedding Cake, HUDSONCAKERY.COM/2010/07/nhl-stanley-cup-wedding-cake/.

BarStool Sports, <http://barstoolsports.com>.

The Stanley Cup by RiksStuff, http://www.cafepress.com/+the_stanley_cup_stein,1277577652.

San Jose Sharks, http://sharks.nhl.com/club/microhome.htm?location=/sports_bar.

The Canley Cup Beer Pop Can Topper NHL Playoffs. <http://www.ebay.com/itm/TheCanleyCupBeerPopCanTopperNHLPlayoffsColaBeerCanLidRARE/251935847647?nma=true&si=BqTM0jcYcbsw91tL...>

The Canley Cup "Turn Your Can Into The Ultimate Trophy" Beer Can Topper RARE, <http://www.ebay.com/itm/TheCanleyCupTurnYourCanIntoTheUltimateTrophybeercantopper-RARE/1315102815>.

Chicago Blackhawks Sports Inflatable Stanley Cup, <https://www.pinterest.com/pin/87468417737288075/>.

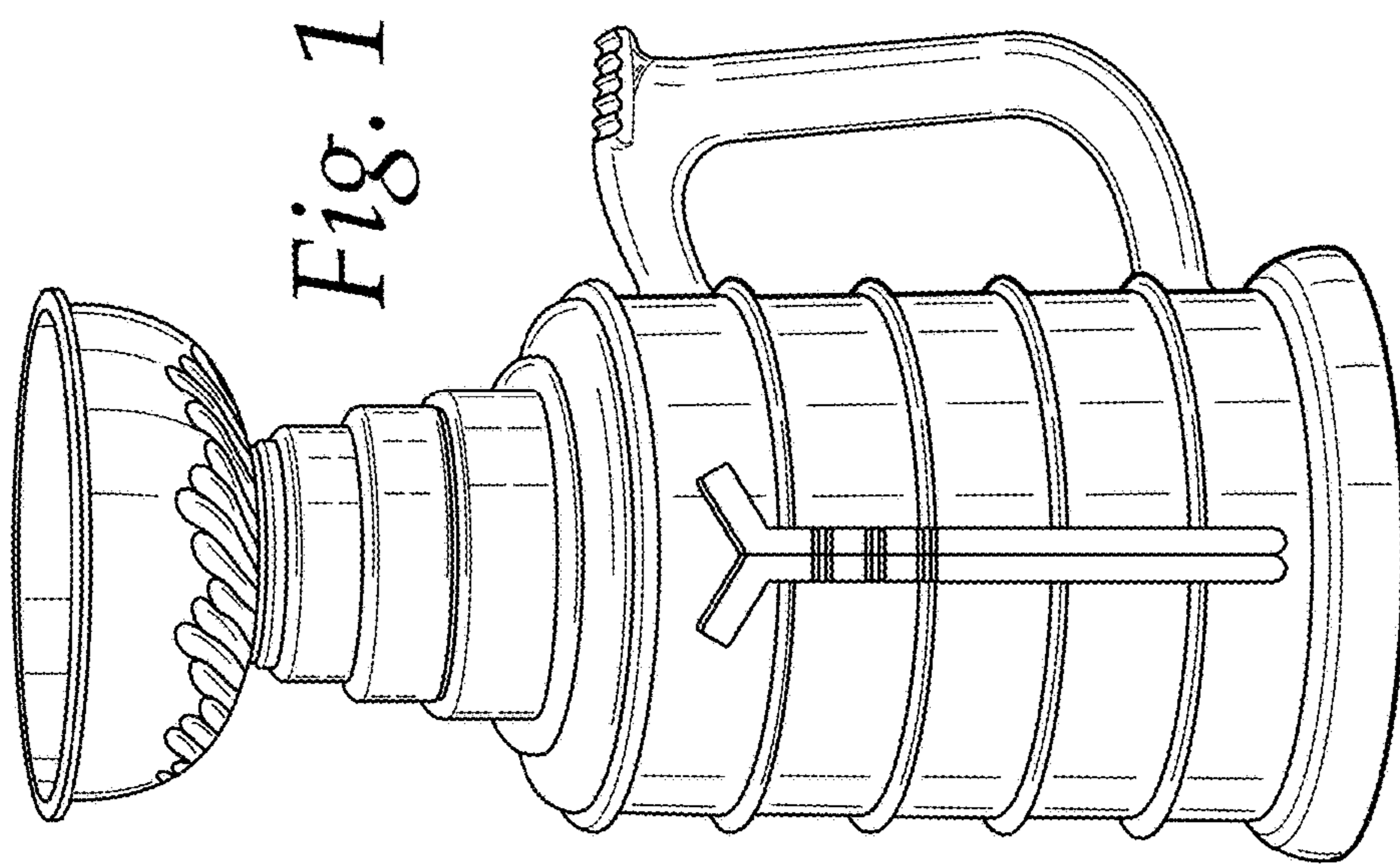
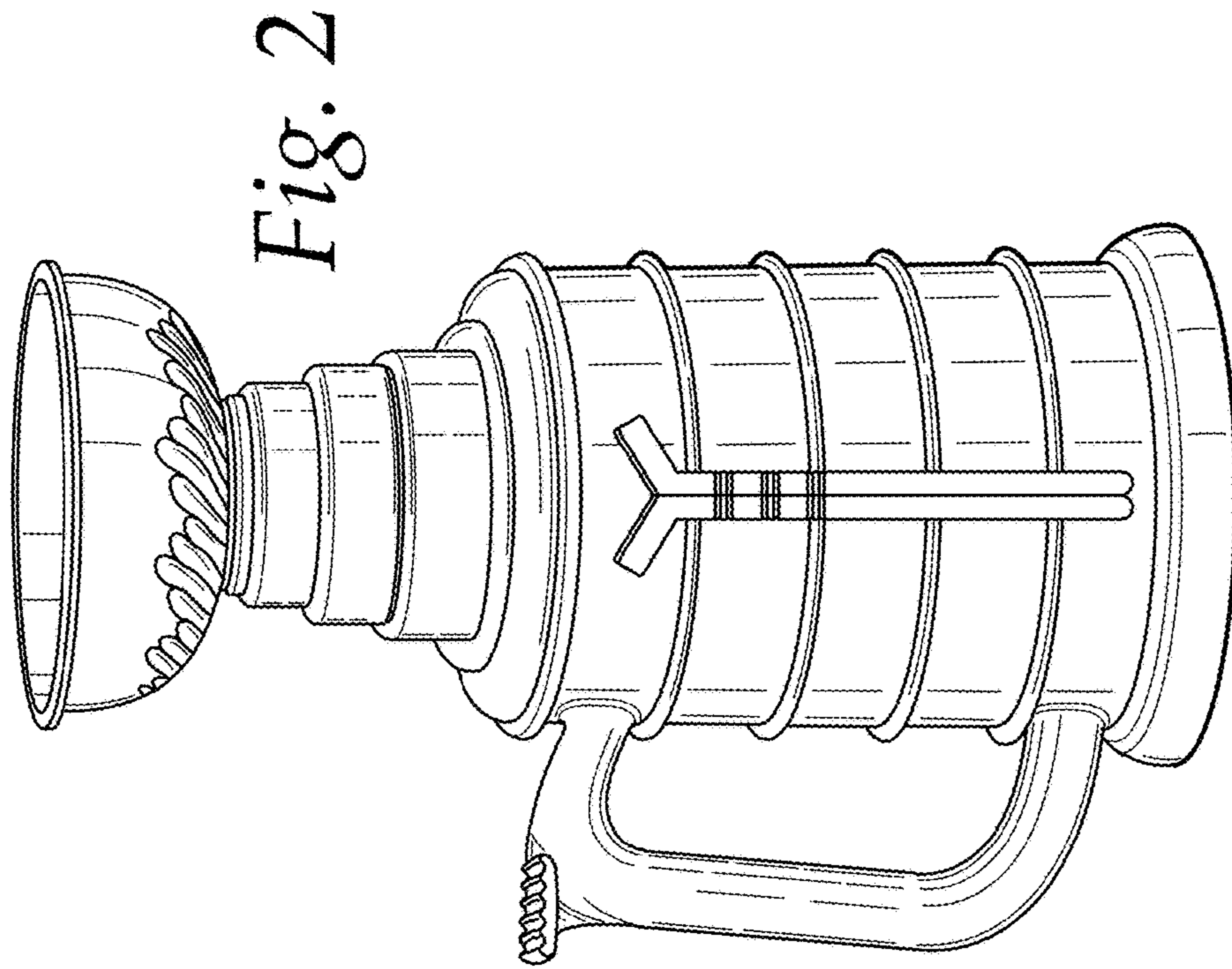
Stick This: DIY Mini Stanley Cup Replica, <https://www.pinterest.com/pin/449445237784243532/>.

Cups—Champion Hockey Cup, <https://www.questawards.com/products/cups-economical-champion-cup>.

Stanleycup on the hunt, www.thehunt.com/tags/stanleycup.

Hockey stanley cup trophy low poly—3D Models, <https://3docean.net/item/hockey-stanley-cup-trophy-low-poly/16874509>.

* cited by examiner



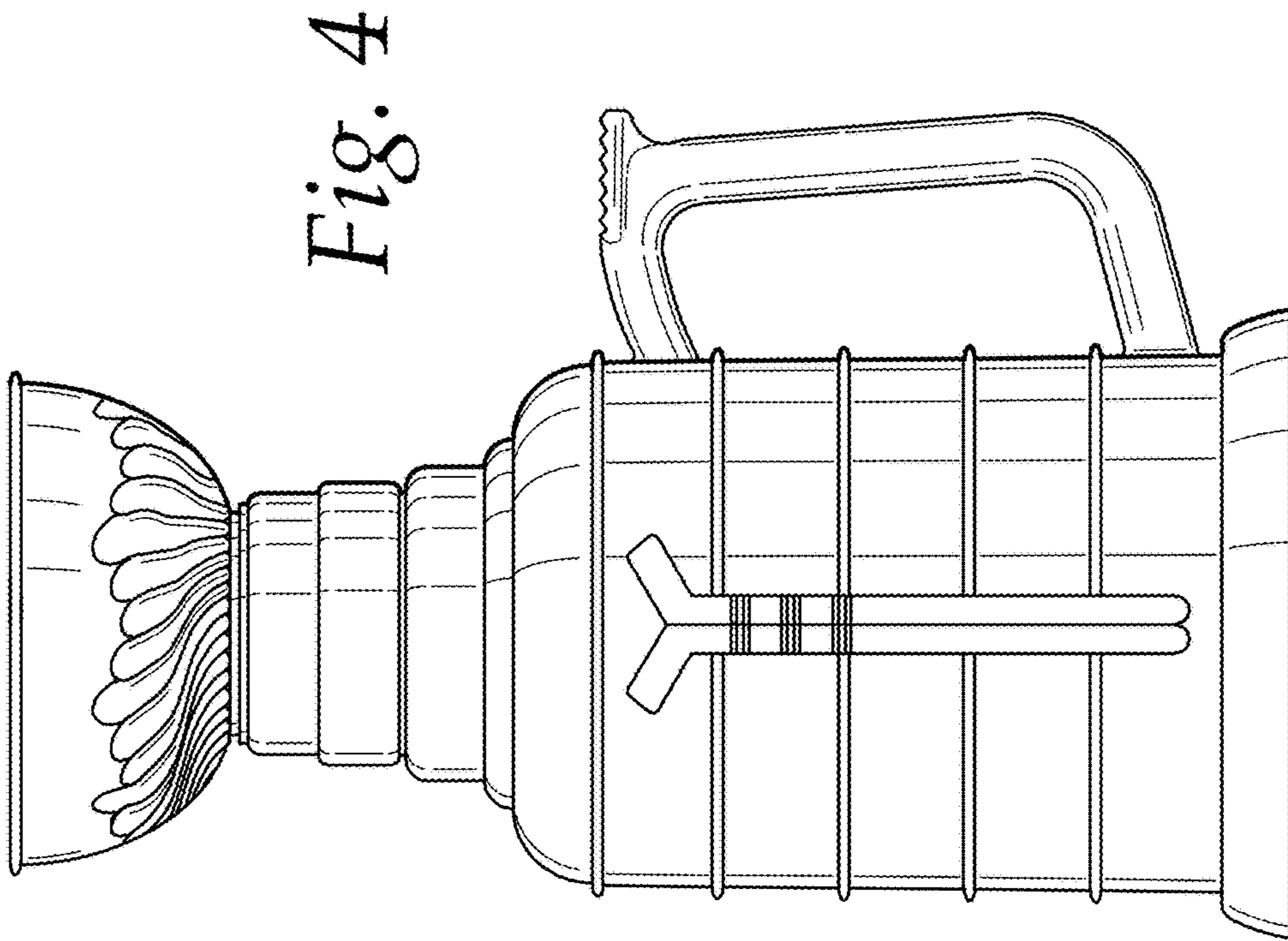


Fig. 4

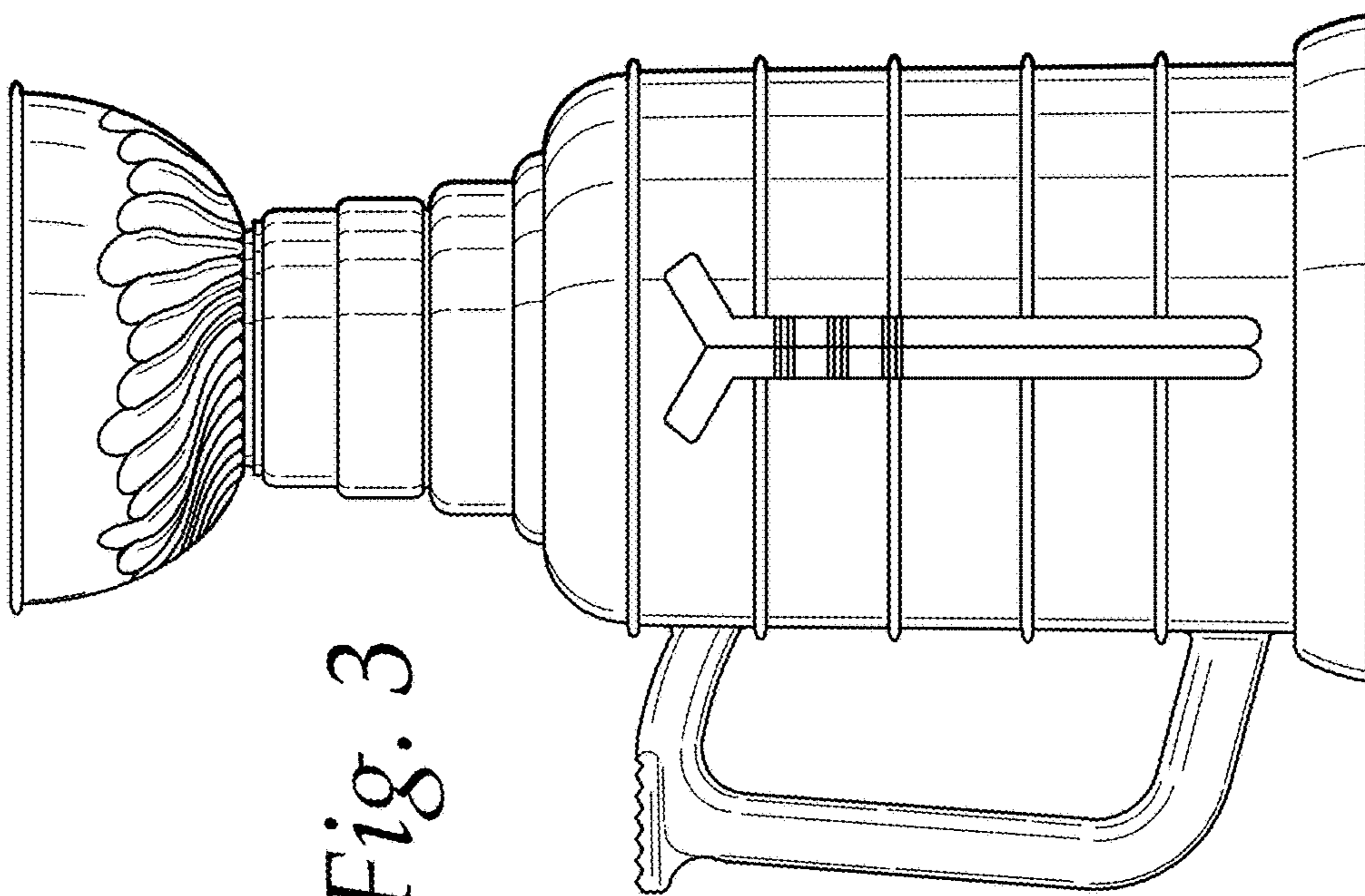


Fig. 3

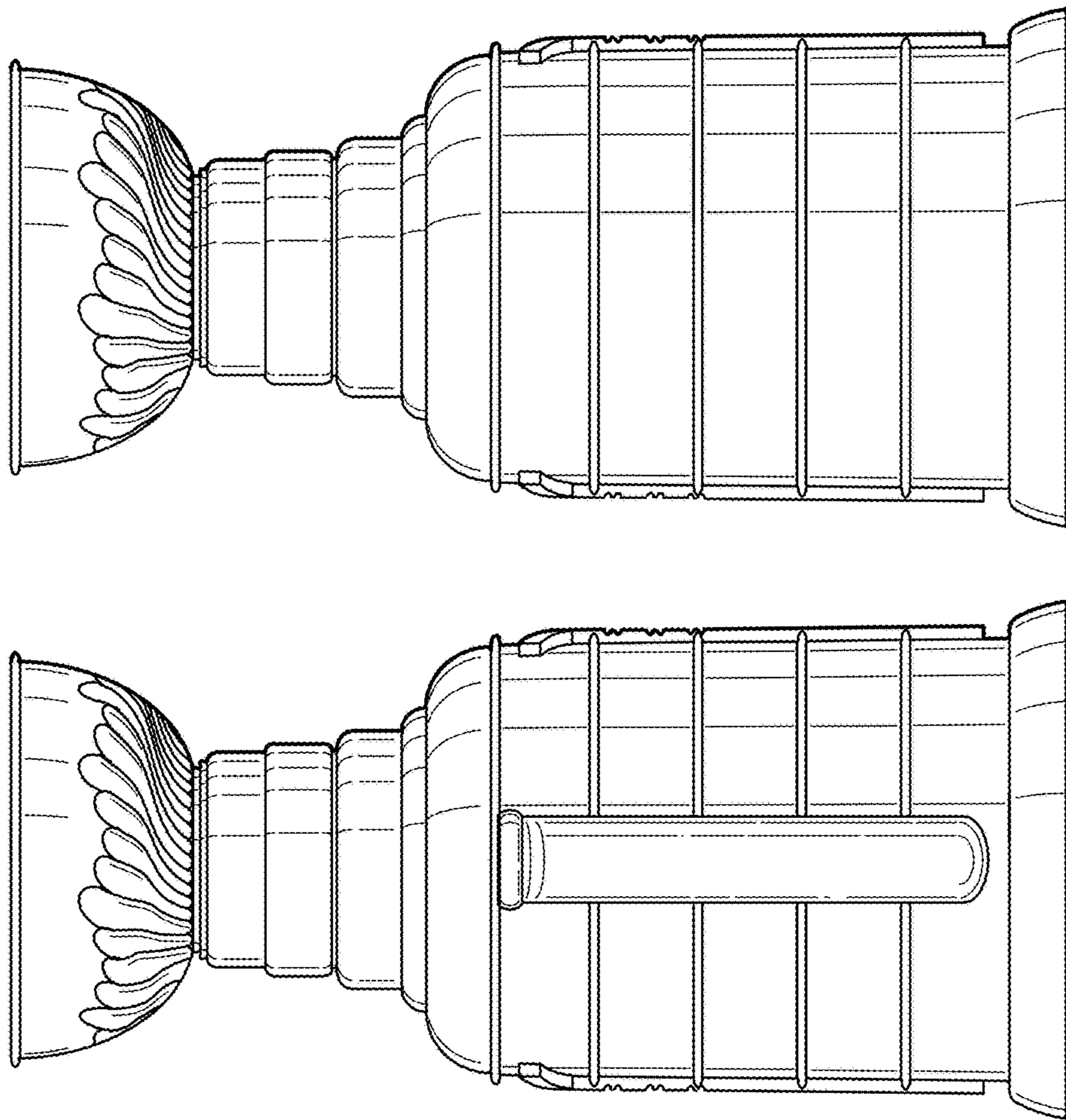


Fig. 6

Fig. 5

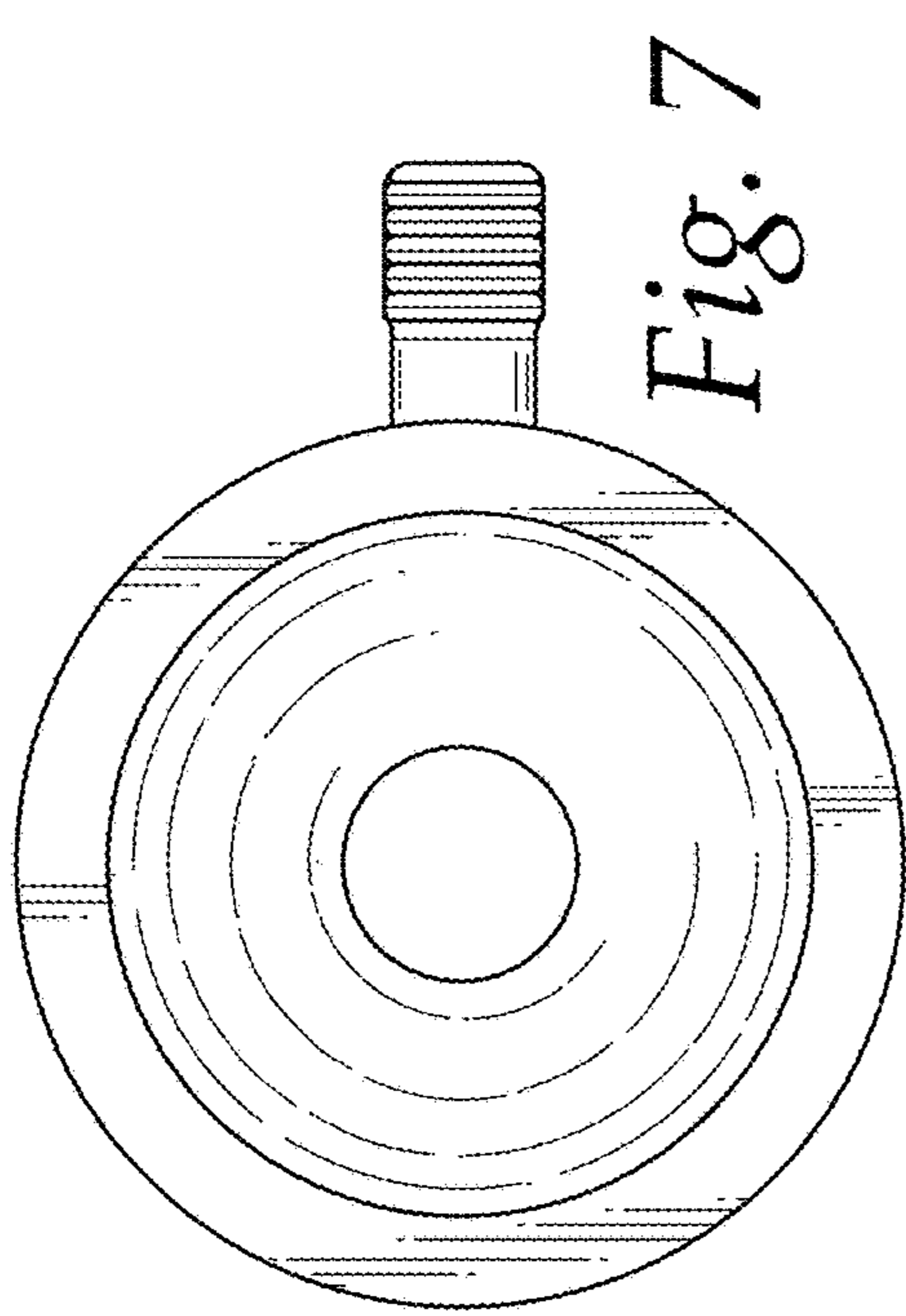


Fig. 7

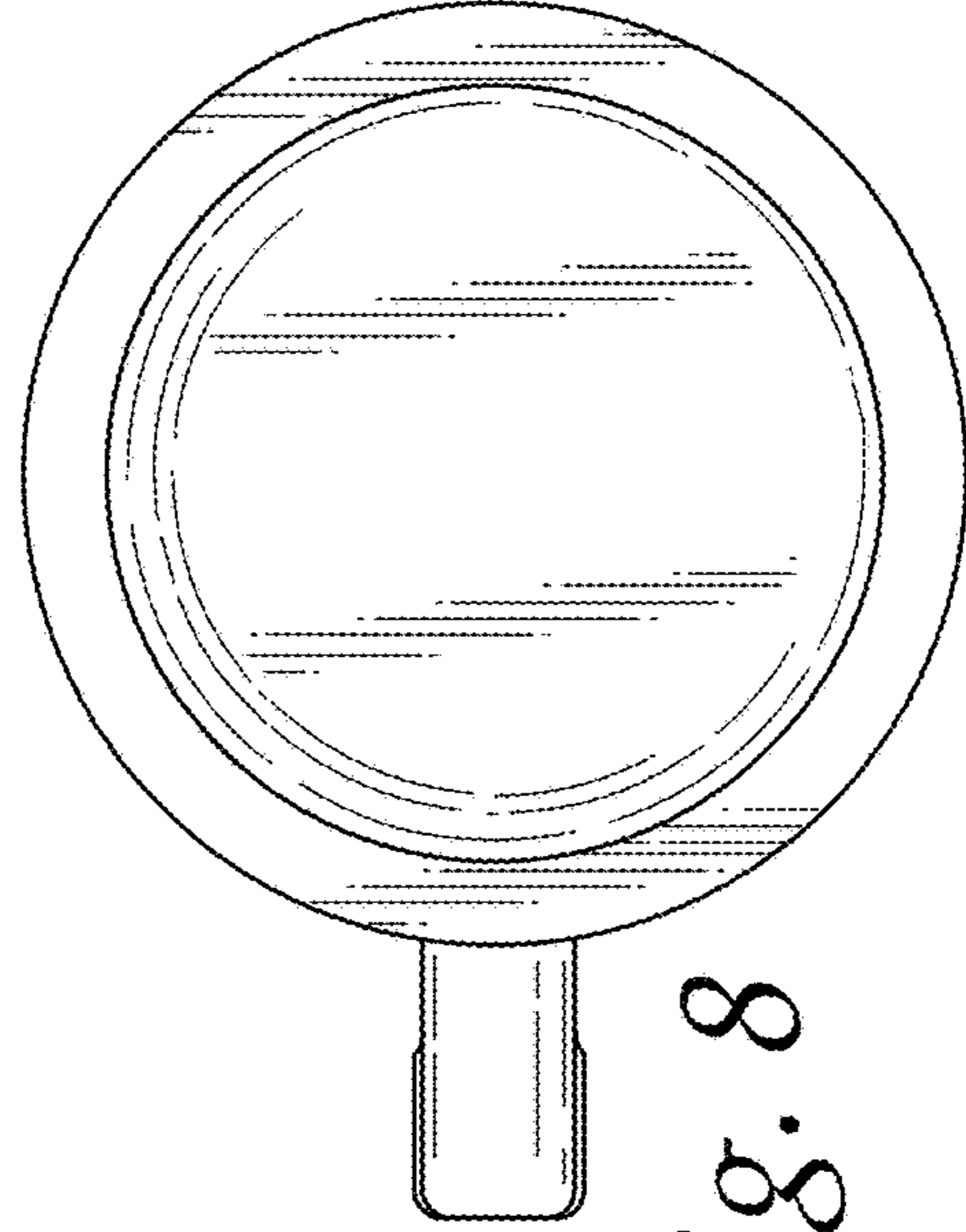
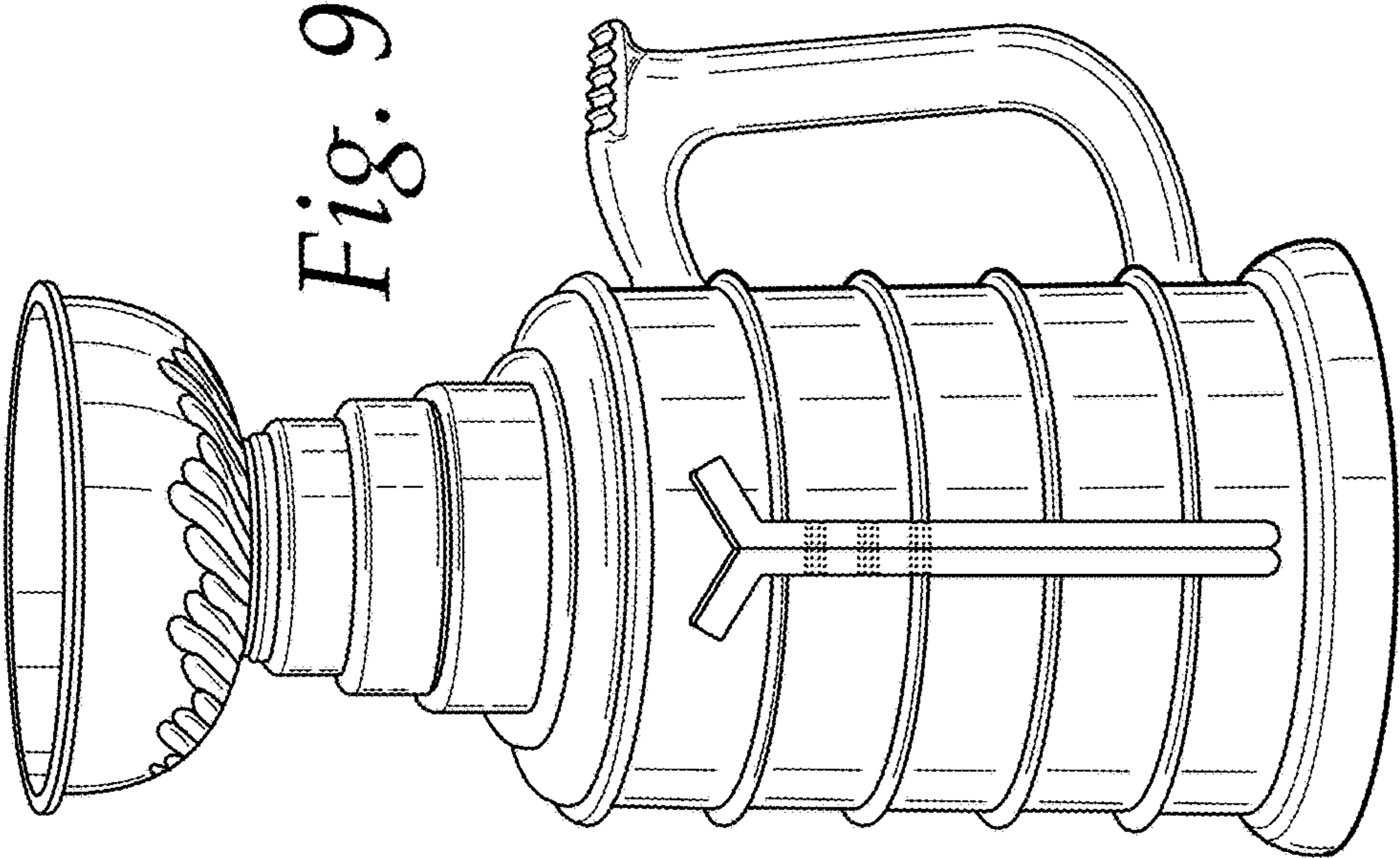
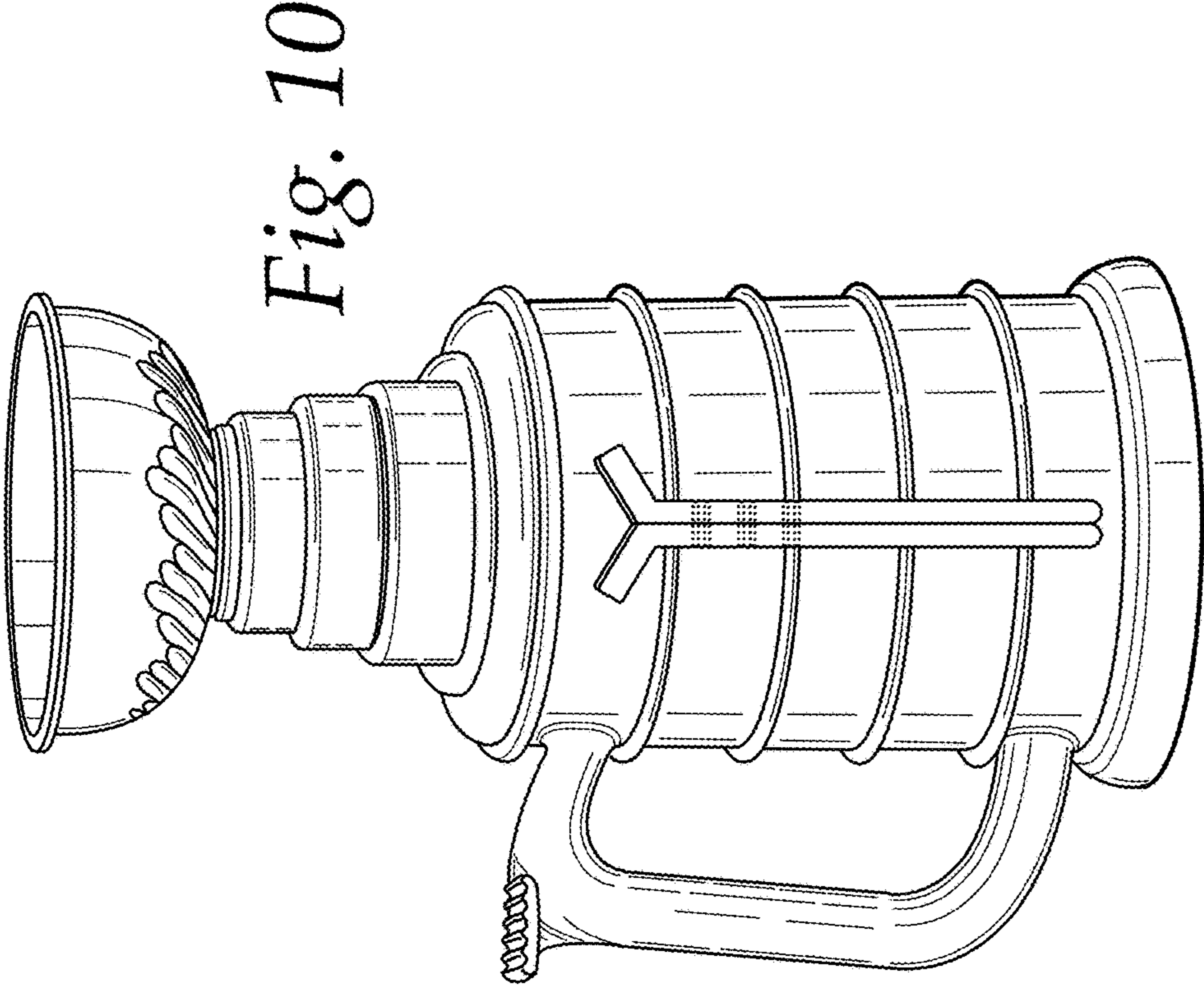


Fig. 8



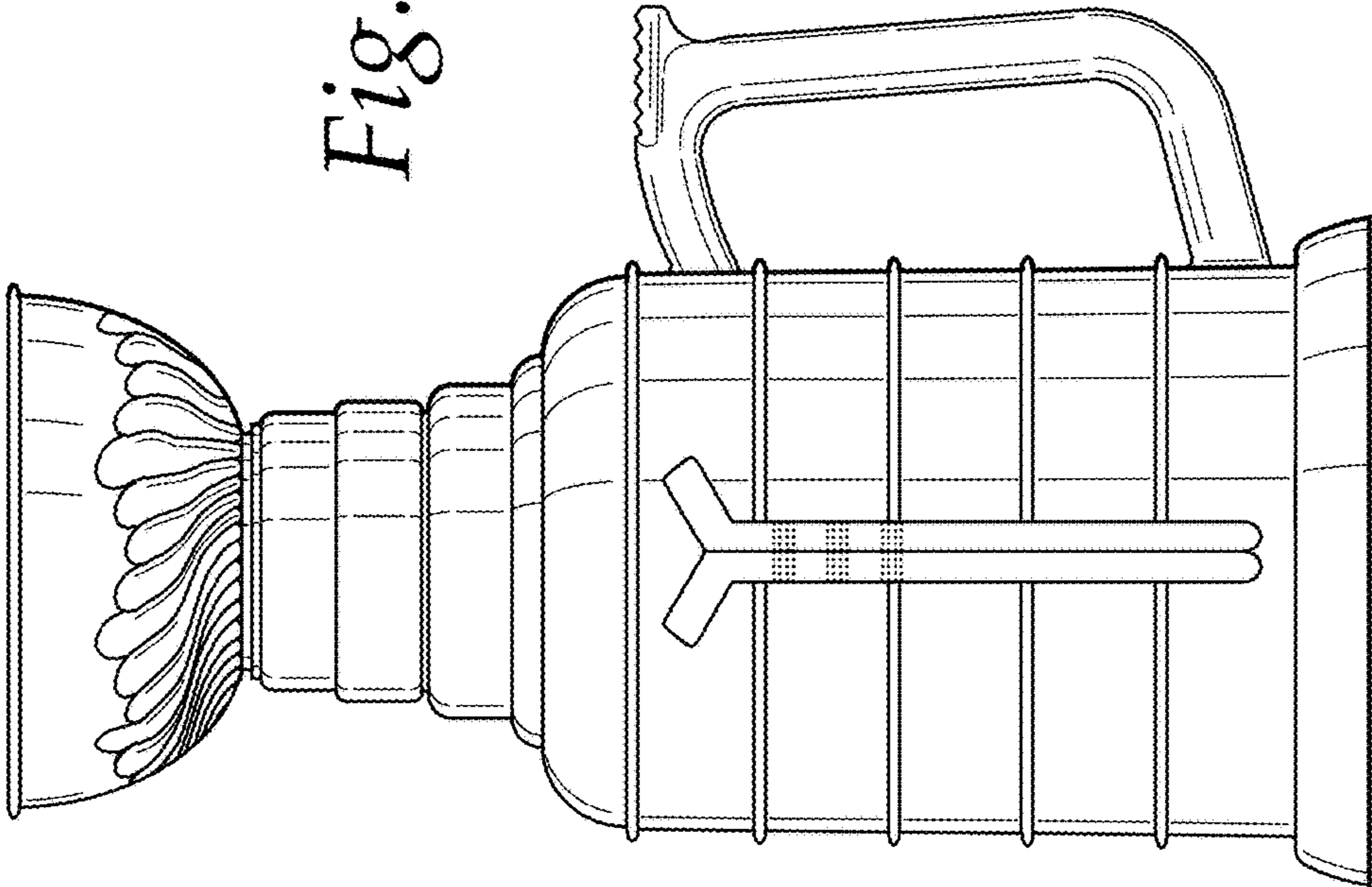


Fig. 12

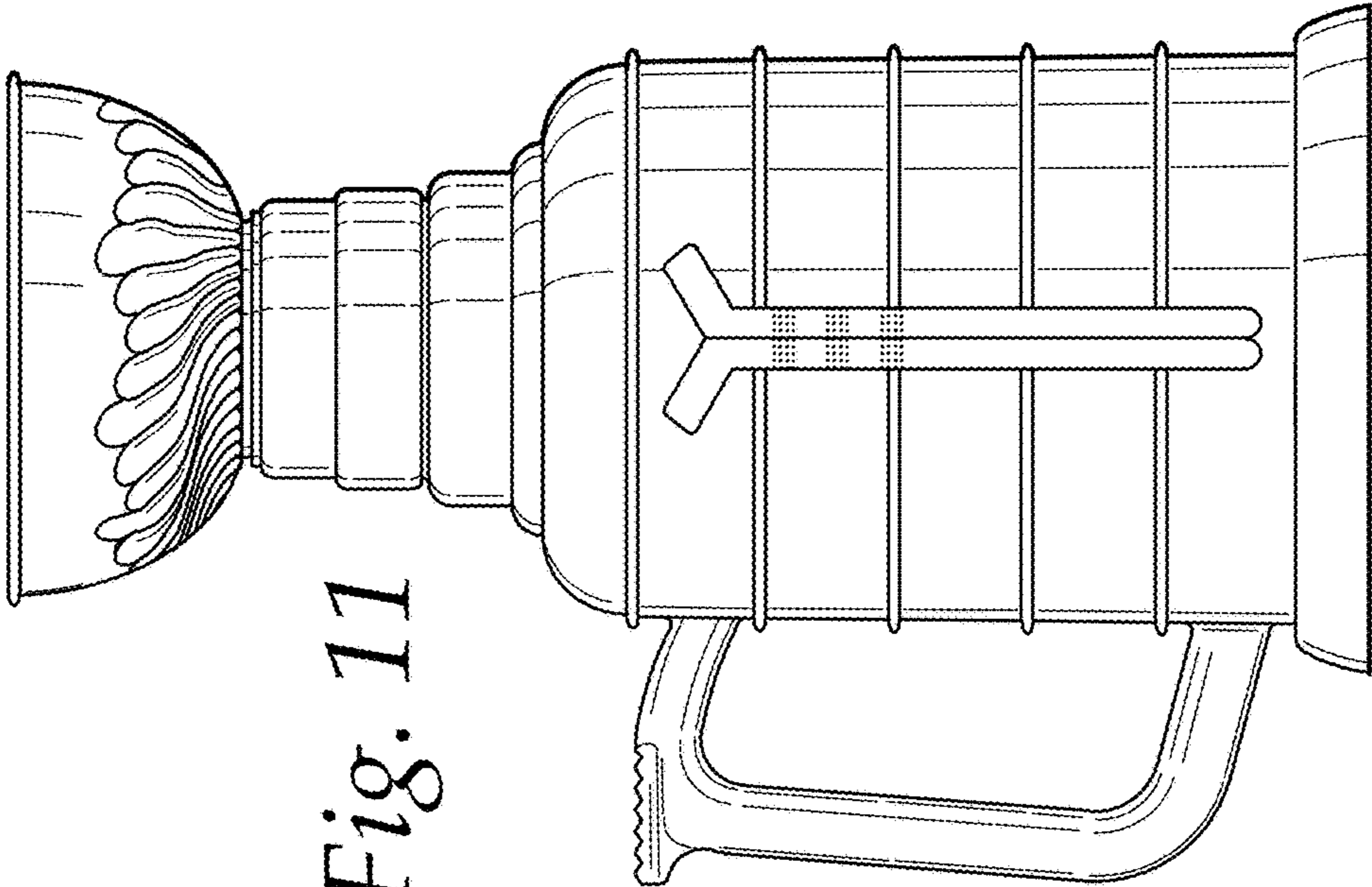


Fig. 11

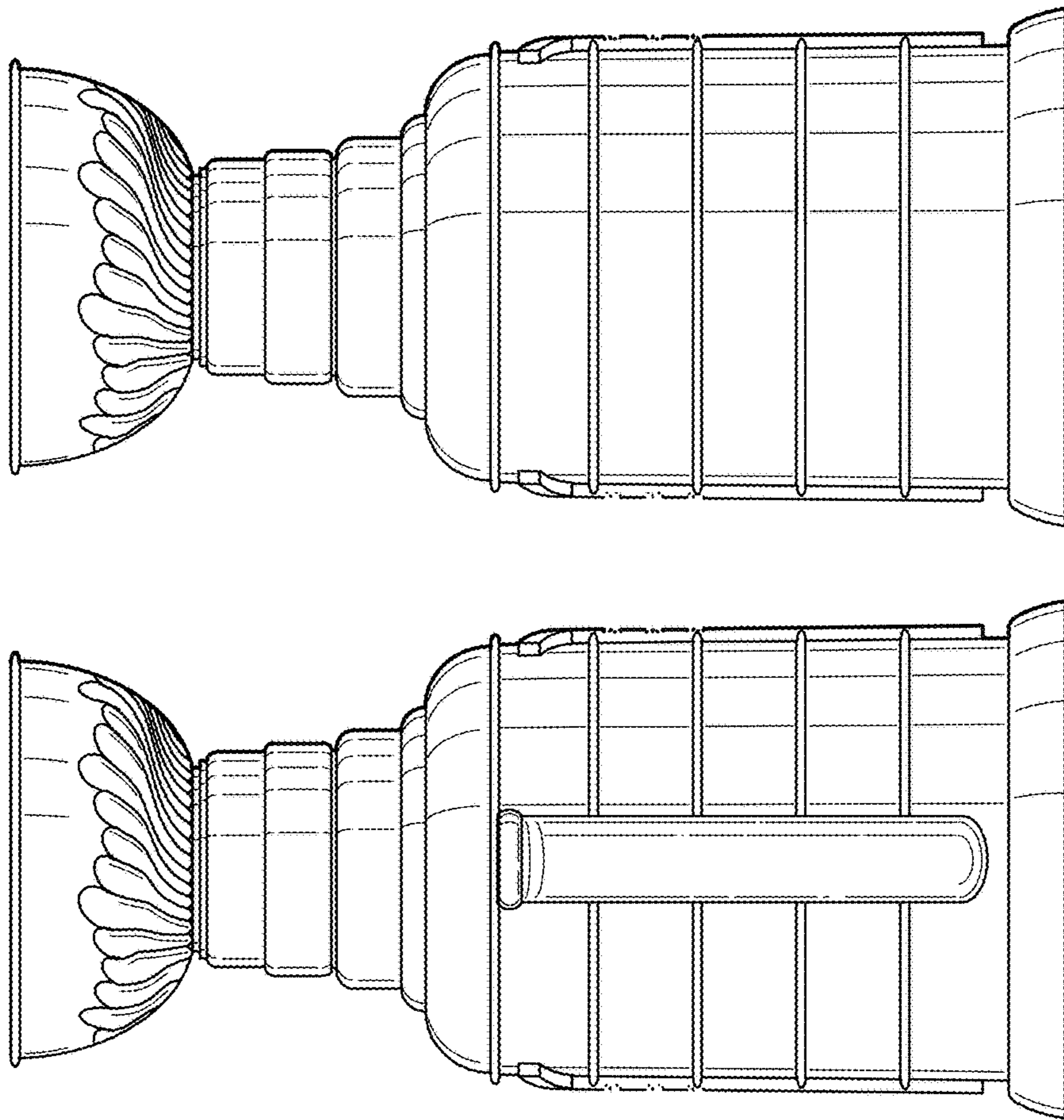


Fig. 13

Fig. 14

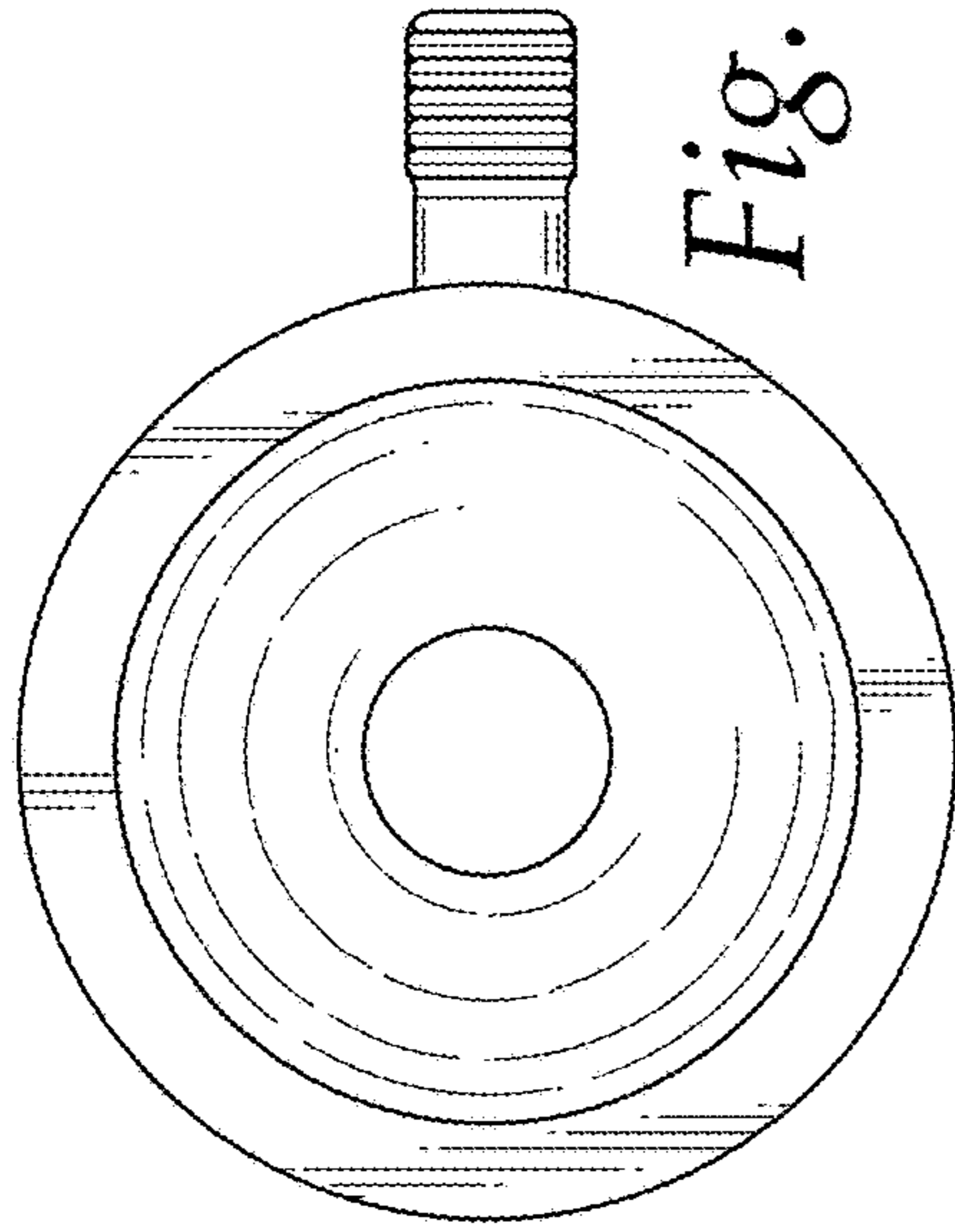


Fig. 15

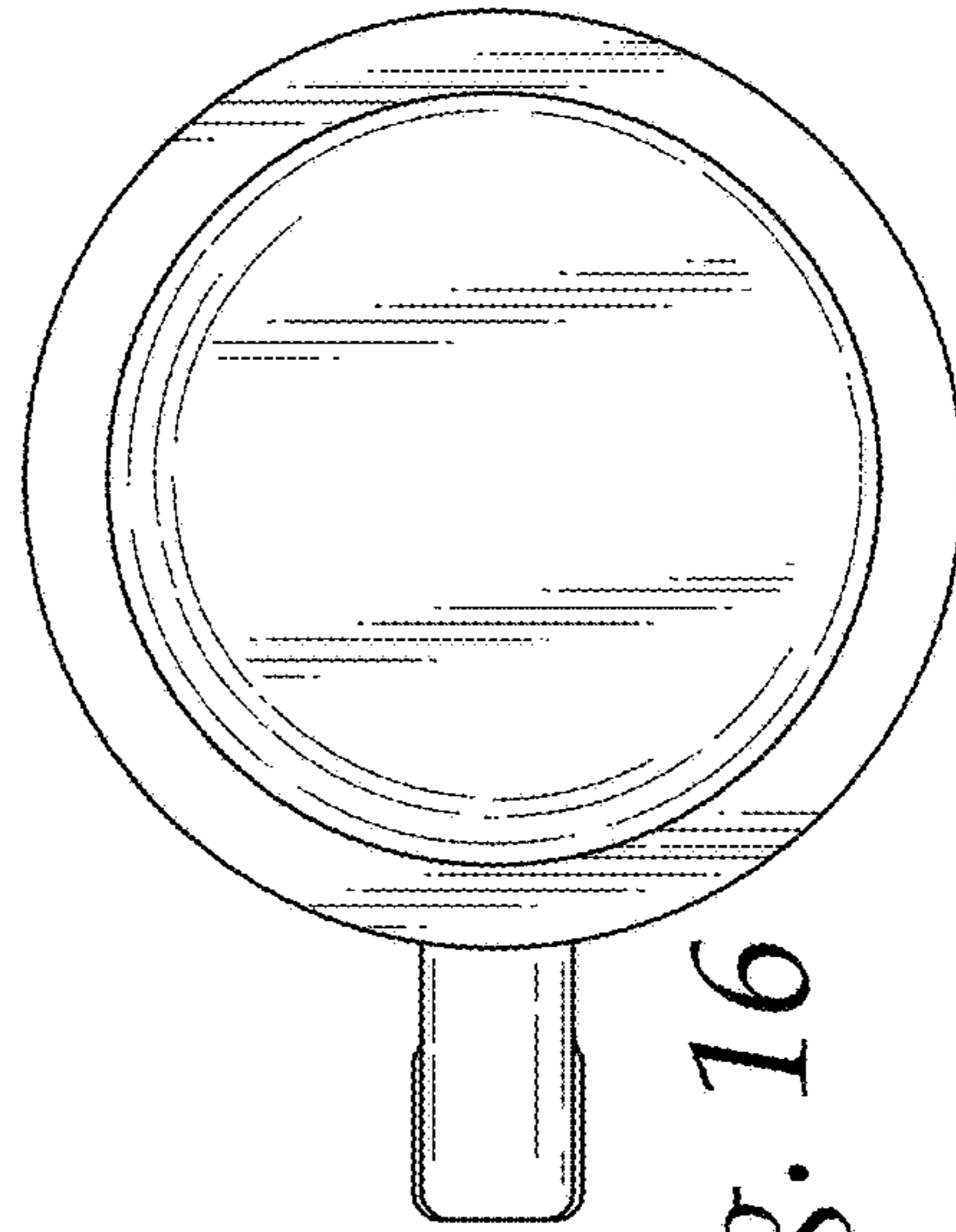


Fig. 16