



US00D817713S

(12) **United States Design Patent**  
**Lin**

(10) **Patent No.:** **US D817,713 S**

(45) **Date of Patent:** **\*\* May 15, 2018**

(54) **WATER BOTTLE**

(71) Applicant: **Yitong Lin**, Fujian (CN)

(72) Inventor: **Yitong Lin**, Fujian (CN)

(\*\*) Term: **15 Years**

(21) Appl. No.: **29/596,366**

(22) Filed: **Mar. 8, 2017**

(51) **LOC (11) Cl.** ..... **07-01**

(52) **U.S. Cl.**

USPC ..... **D7/510**; D7/511; D7/532; D7/536

(58) **Field of Classification Search**

USPC ..... D7/505, 507, 509, 510, 511, 512, 523,  
D7/532, 533, 536, 396.6, 387, 320, 321,  
D7/300.2, 213, 608, 393, 624.1, 543, 591,  
D7/593, 642, 654, 656, 653, 549, 544,  
D7/553.6; D3/202; D24/197; D9/695,  
D9/698, 522, 454, 439, 435, 434, 436,  
D9/531, 517, 707, 708, 709, 528, 549,  
D9/678, 636, 639, 640, 443, 772, 754,  
D9/534; D23/266; 220/495.03, 705;  
215/397, 396

CPC .... B65D 47/066; B65D 1/0223; B65D 33/00;  
B65D 33/16; A47G 19/2272; A47G  
19/2205; A47G 19/2266; A47J 41/02;  
B29C 49/04

See application file for complete search history.

(56) **References Cited**

**U.S. PATENT DOCUMENTS**

D451,023 S \* 11/2001 Kitamura ..... D9/449  
D455,611 S \* 4/2002 Kitamura ..... D7/608  
D533,061 S \* 12/2006 Li ..... D9/443  
D589,743 S \* 4/2009 Pearson ..... D7/392  
D596,460 S \* 7/2009 Nezu ..... D7/510

D699,516 S \* 2/2014 Kim ..... D7/510  
D703,538 S \* 4/2014 Paredes ..... D9/500  
D758,790 S \* 6/2016 Boroski ..... D7/392.1  
D766,655 S \* 9/2016 Neace, Jr. .... D7/397  
D770,222 S \* 11/2016 Boroski ..... D7/392.1  
D778,118 S \* 2/2017 Du ..... D7/608  
D780,578 S \* 3/2017 Lane ..... D7/396.2  
D786,018 S \* 5/2017 Willows ..... D7/509  
D795,012 S \* 8/2017 Rummel ..... D7/510  
D808,723 S \* 1/2018 Guthrie ..... D7/511  
2008/0061091 A1\* 3/2008 Mailliard ..... A45F 5/02  
224/148.6  
2011/0089059 A1\* 4/2011 Lane ..... B65D 47/08  
206/222  
2013/0319966 A1\* 12/2013 Lane ..... B65D 43/26  
215/237  
2014/0217056 A1\* 8/2014 Parekh ..... A45F 3/16  
215/228  
2015/0225141 A1\* 8/2015 Mackenzie ..... B65D 47/0871  
215/237

\* cited by examiner

*Primary Examiner* — Marianne Pandozzi

*Assistant Examiner* — Jae Liang

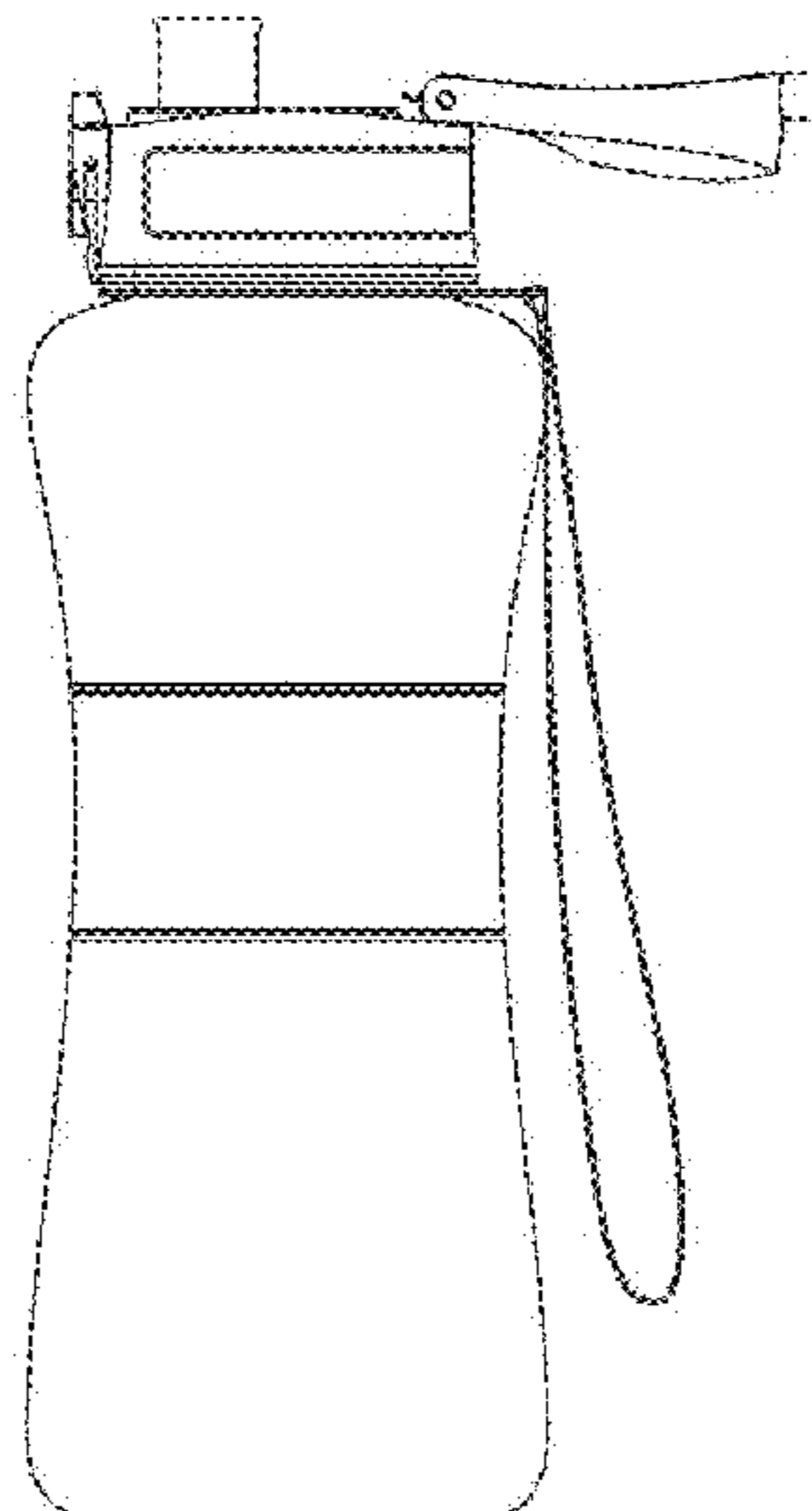
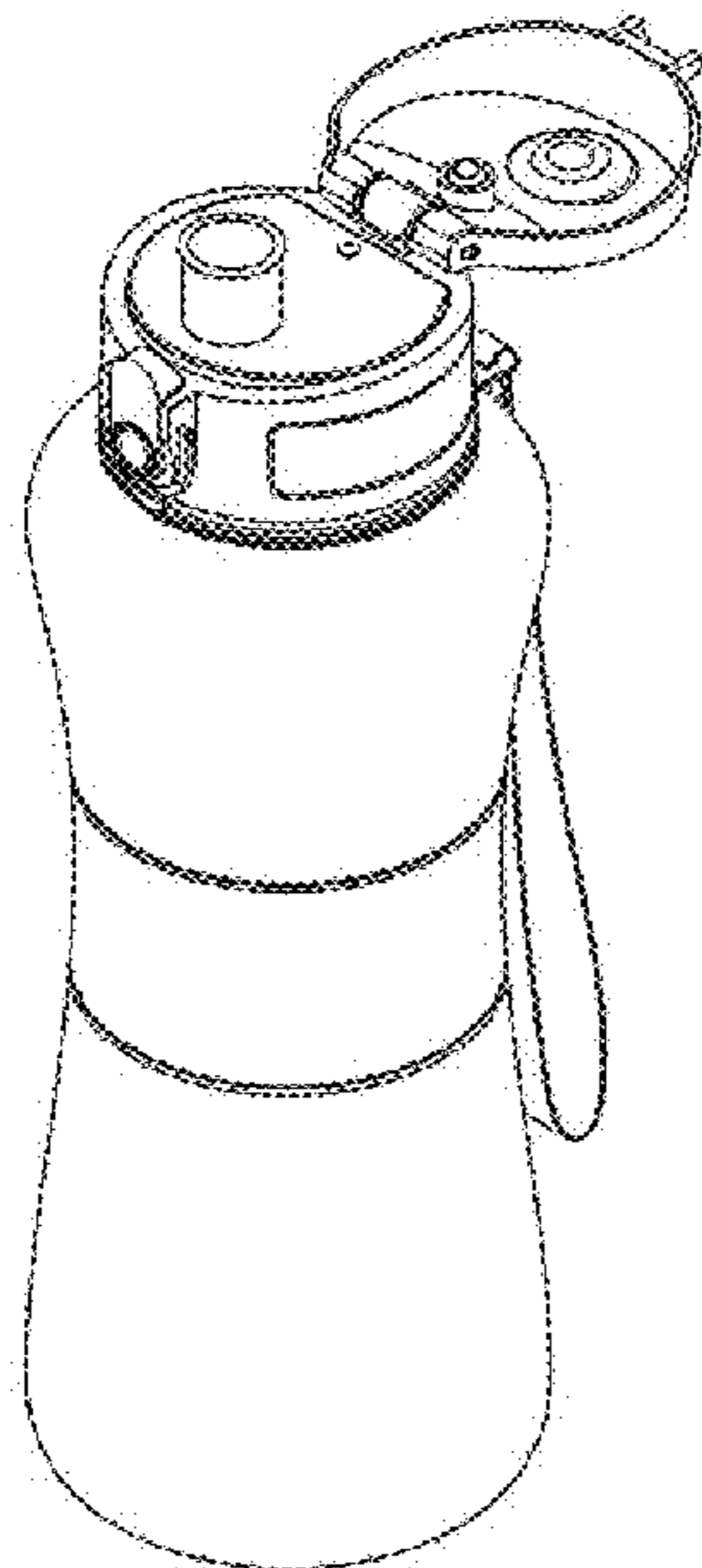
(57) **CLAIM**

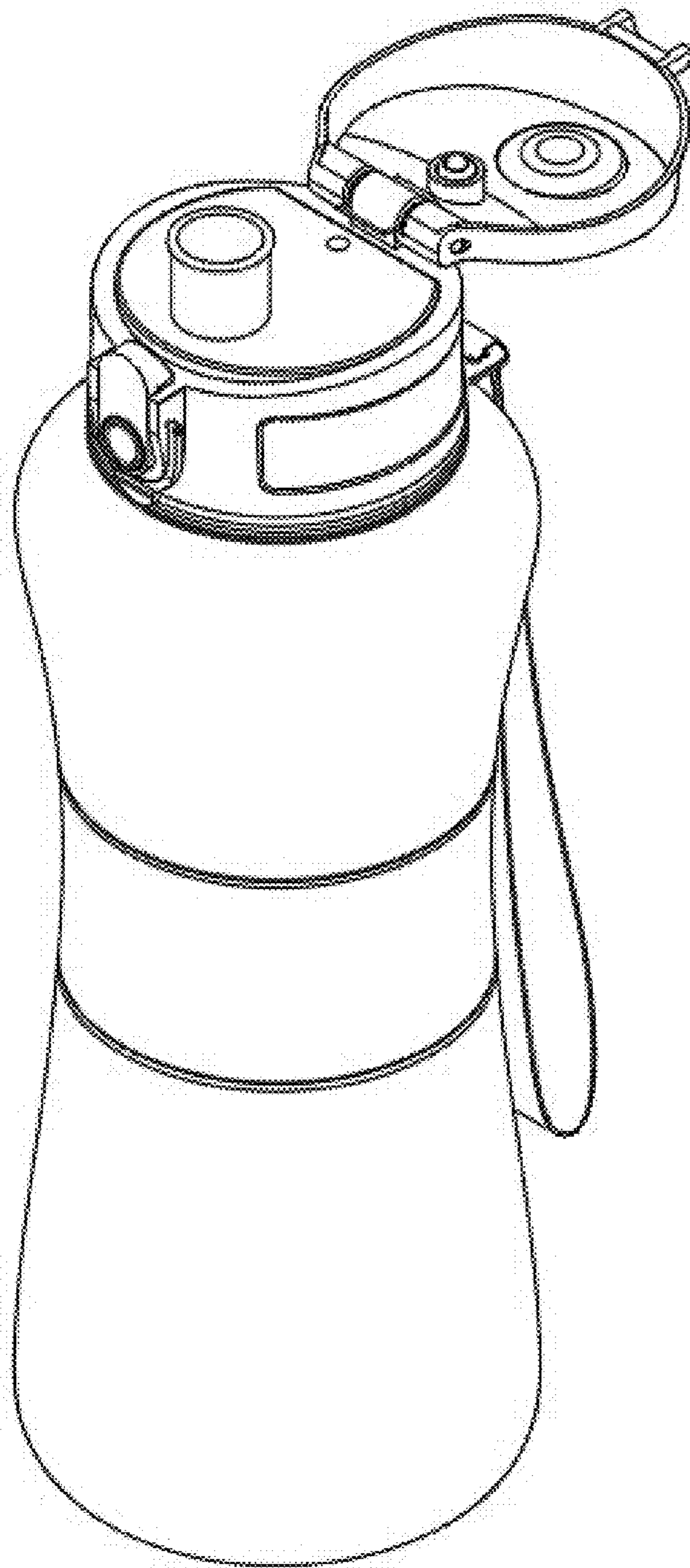
The ornamental design for a water bottle, as shown and described.

**DESCRIPTION**

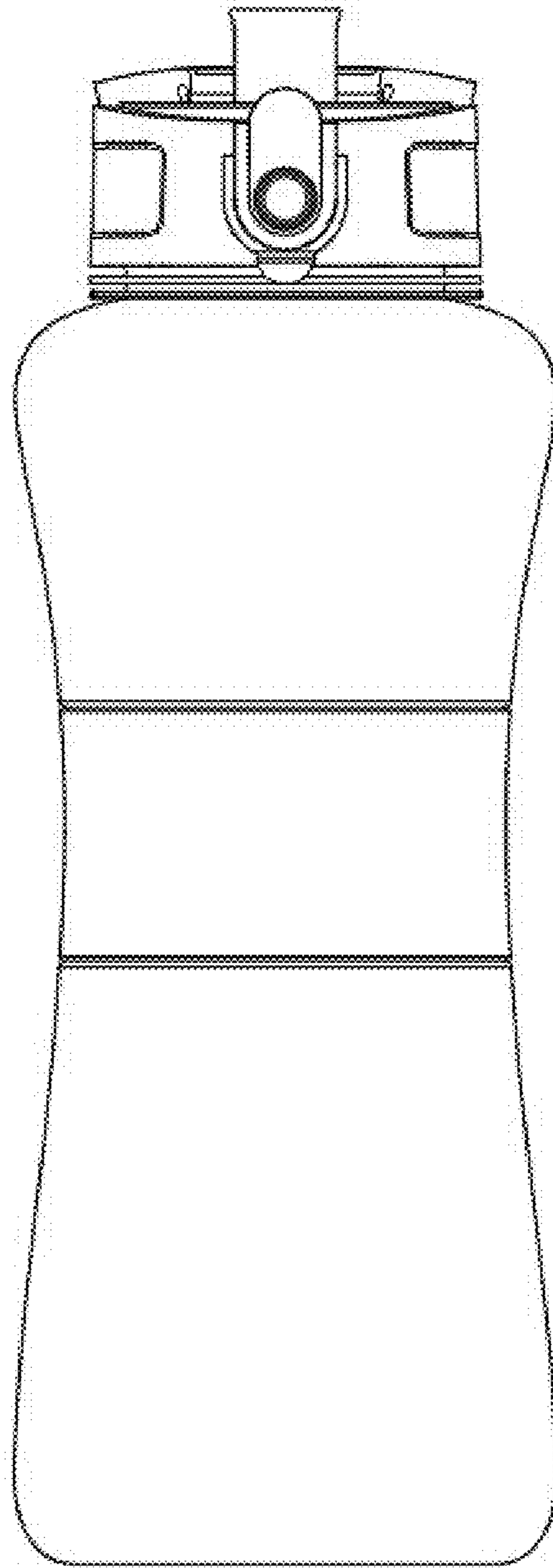
FIG. 1 is a perspective view of a water bottle showing my new design;  
FIG. 2 is a front elevational view thereof;  
FIG. 3 is a rear elevational view thereof;  
FIG. 4 is a right side view thereof;  
FIG. 5 is a left side view thereof;  
FIG. 6 is an enlarged bottom plan view thereof; and,  
FIG. 7 is an enlarged top plan view thereof.

**1 Claim, 6 Drawing Sheets**

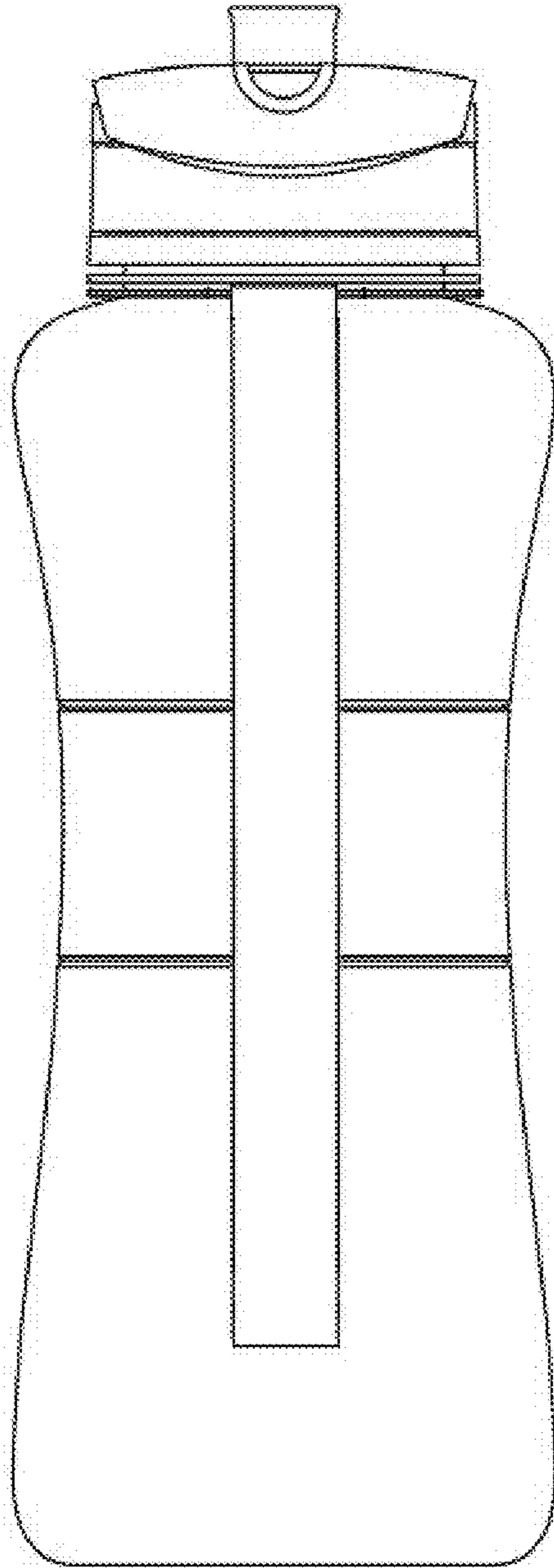




**FIG. 1**

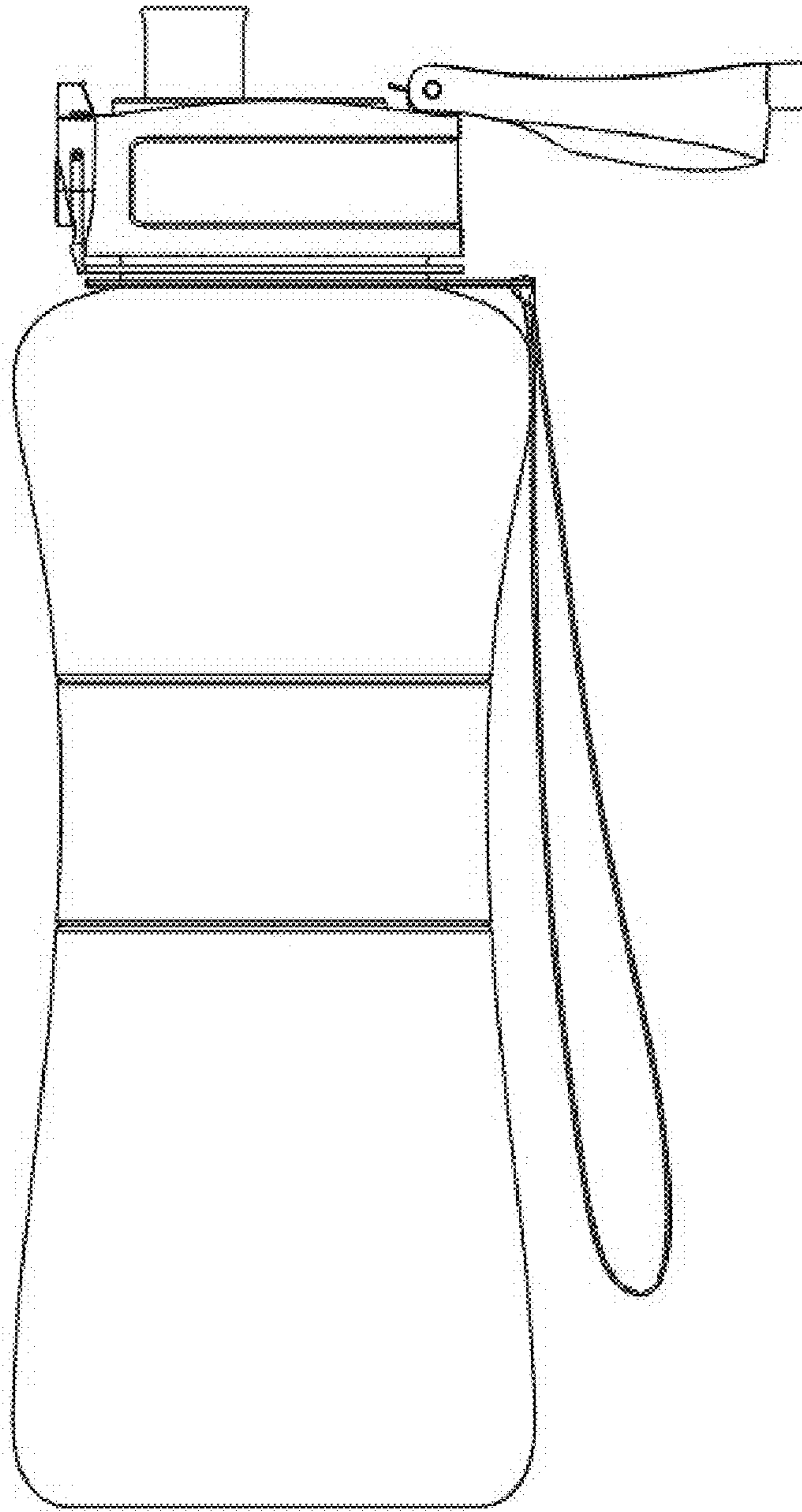


**FIG. 2**

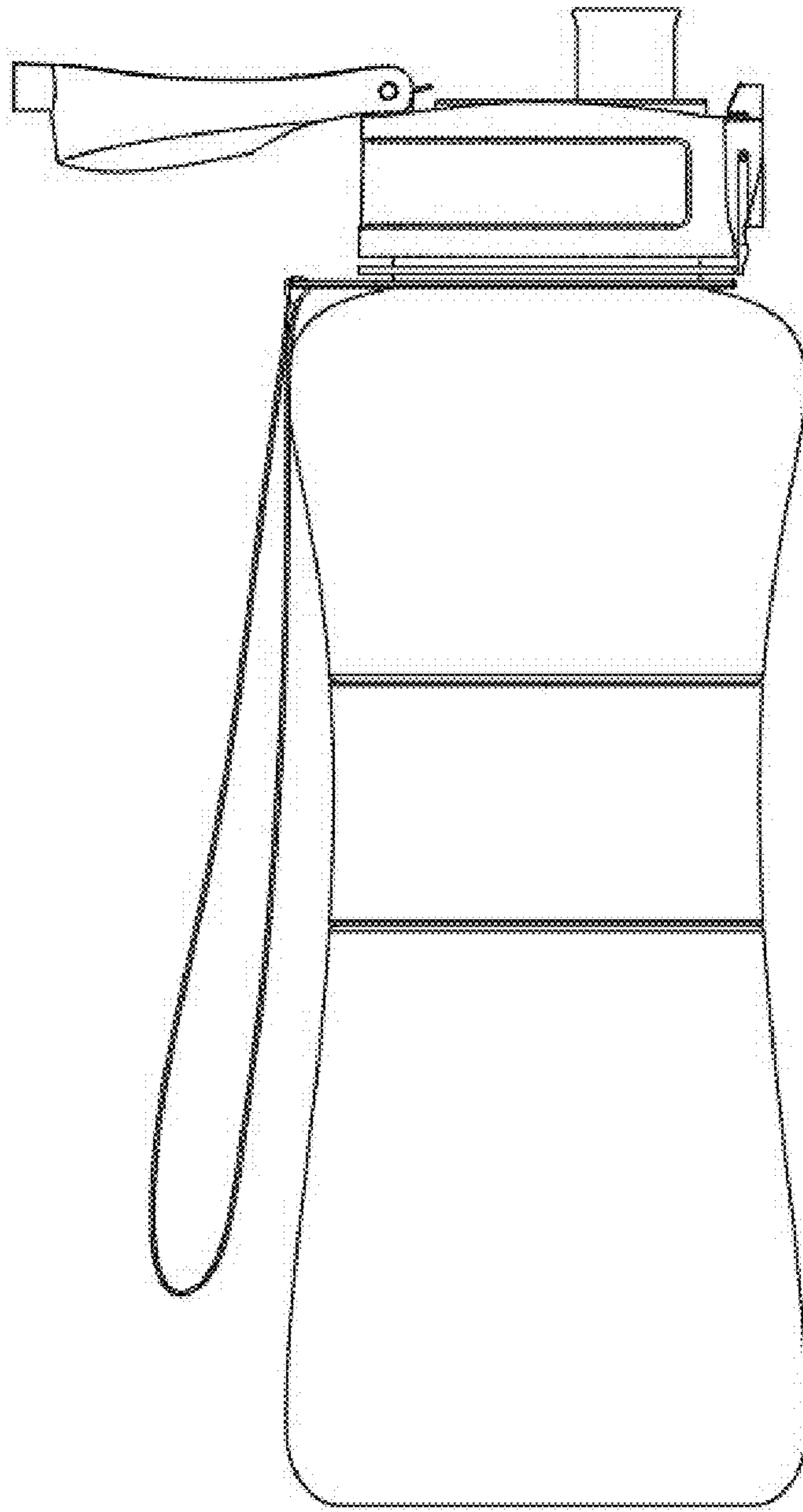


**FIG. 3**

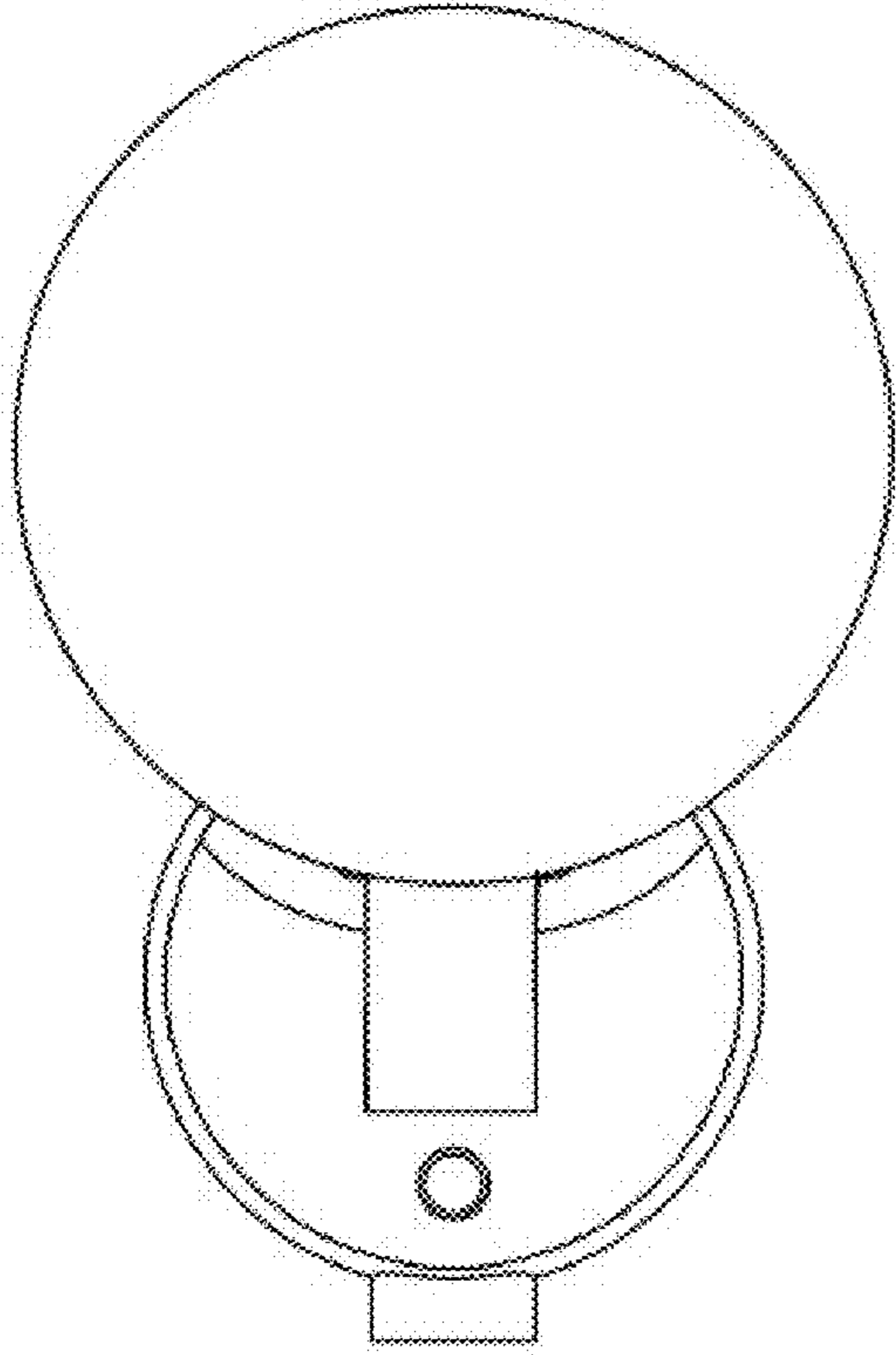




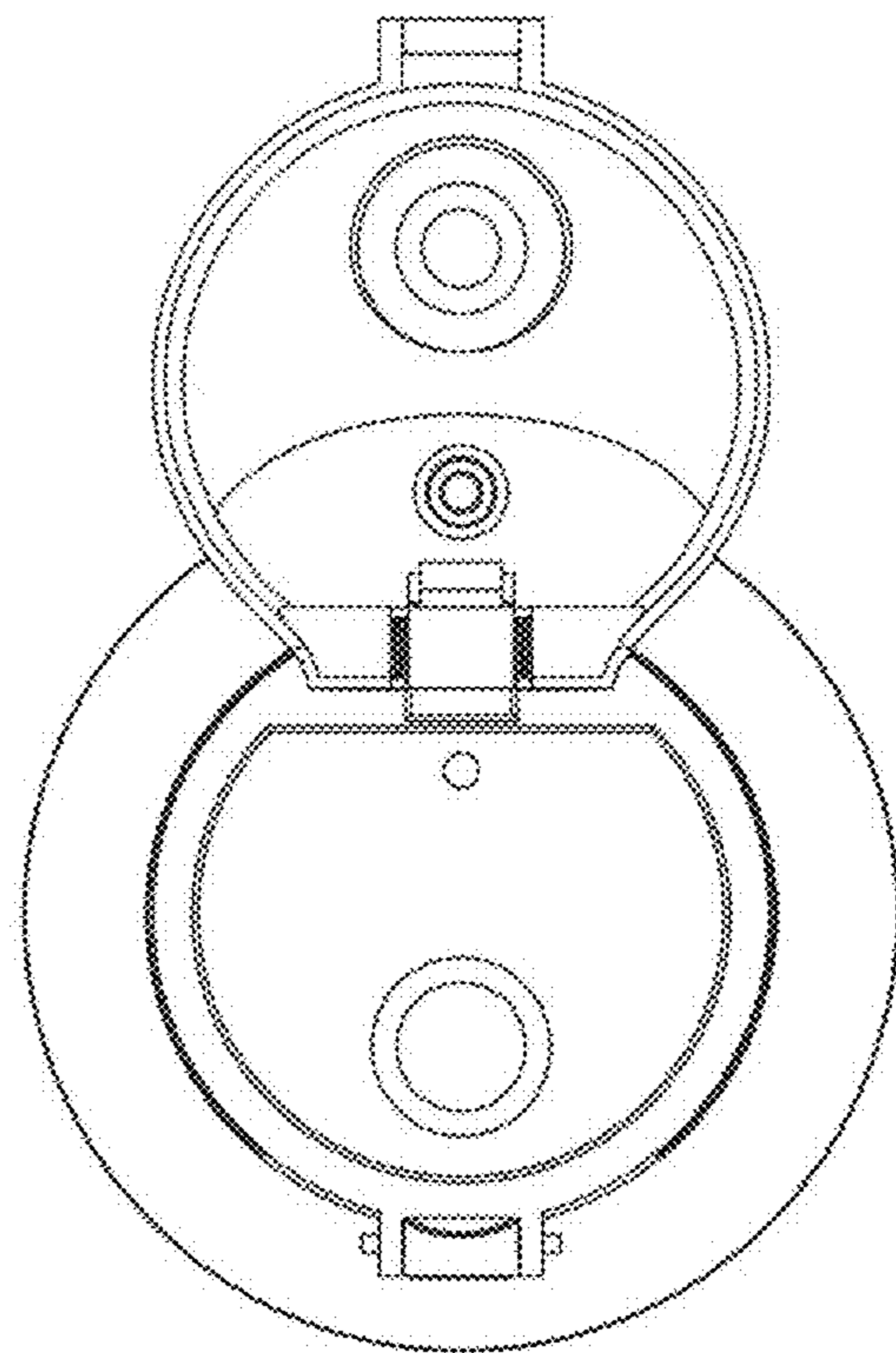
**FIG. 4**



**FIG. 5**



**FIG. 6**



**FIG. 7**