



US00D817712S

(12) **United States Design Patent** (10) **Patent No.:** **US D817,712 S**  
**Fastabend et al.** (45) **Date of Patent:** **\*\* May 15, 2018**

(54) **BLADE SET**

B26D 1/03; B26D 1/11; B26D 1/553;  
B26D 3/26; B26D 3/185; F24F 13/075

(71) Applicant: **Prince Castle LLC**, Carol Stream, IL (US)

See application file for complete search history.

(72) Inventors: **Mark Fastabend**, Chicago, IL (US);  
**Kyle Kestner**, Schaumburg, IL (US);  
**Anthony Caringella**, Norridge, IL (US);  
**Michael Graef**, Naperville, IL (US);  
**Julia Padvoiskis**, Chicago, IL (US);  
**Eric Larson**, Peconica, IL (US);  
**Scott Hammac**, Joliet, IL (US)

(56) **References Cited**

U.S. PATENT DOCUMENTS

1,685,245	A *	9/1928	Russo	.....	B26D 1/553
					83/578
2,563,237	A	6/1947	Grocoff		
D164,693	S	10/1951	Kooas		
2,836,212	A	5/1958	Shaw		
3,163,192	A *	12/1964	Lupoli	.....	B26D 1/553
					99/538

(Continued)

(73) Assignee: **Prince Castle LLC**, Carol Stream, IL (US)

(\*\*) Term: **15 Years**

OTHER PUBLICATIONS

(21) Appl. No.: **29/589,214**

Edlund, Manual Fruit & Vegetable Slicer, 2014.

(22) Filed: **Dec. 29, 2016**

(Continued)

**Related U.S. Application Data**

(63) Continuation of application No. 29/517,820, filed on Feb. 17, 2015, now Pat. No. Des. 778,673.

(51) **LOC (11) Cl.** ..... **31-00**

(52) **U.S. Cl.**

USPC ..... **D7/412**

(58) **Field of Classification Search**

USPC ..... D7/393-395, 401.2, 412, 642-652, 674,  
D7/693, 695-696; D8/93, 97-100, 107,  
D8/300, 321; D22/117-118

CPC ..... A01B 1/20; A01B 1/22; A22C 25/006;  
A47G 21/06; A47G 21/065; A61B  
17/3211; A61B 17/3213; B21D 53/64;  
B25G 3/36; B26B 1/00; B26B 1/08;  
B26B 1/10; B26B 3/00; B26B 3/02;  
B26B 3/03; B26B 3/04; B26B 3/06;  
B26B 5/00; B26B 5/001; B26B 5/007;  
B26B 7/00; B26B 7/005; B26B 9/00;  
B26B 9/02; B26B 11/00; B26B 11/006;  
B26B 17/00; B26B 17/006; B26B 29/02;

*Primary Examiner* — Ricky Pham

(74) *Attorney, Agent, or Firm* — Andrus Intellectual Property Law, LLP

(57) **CLAIM**

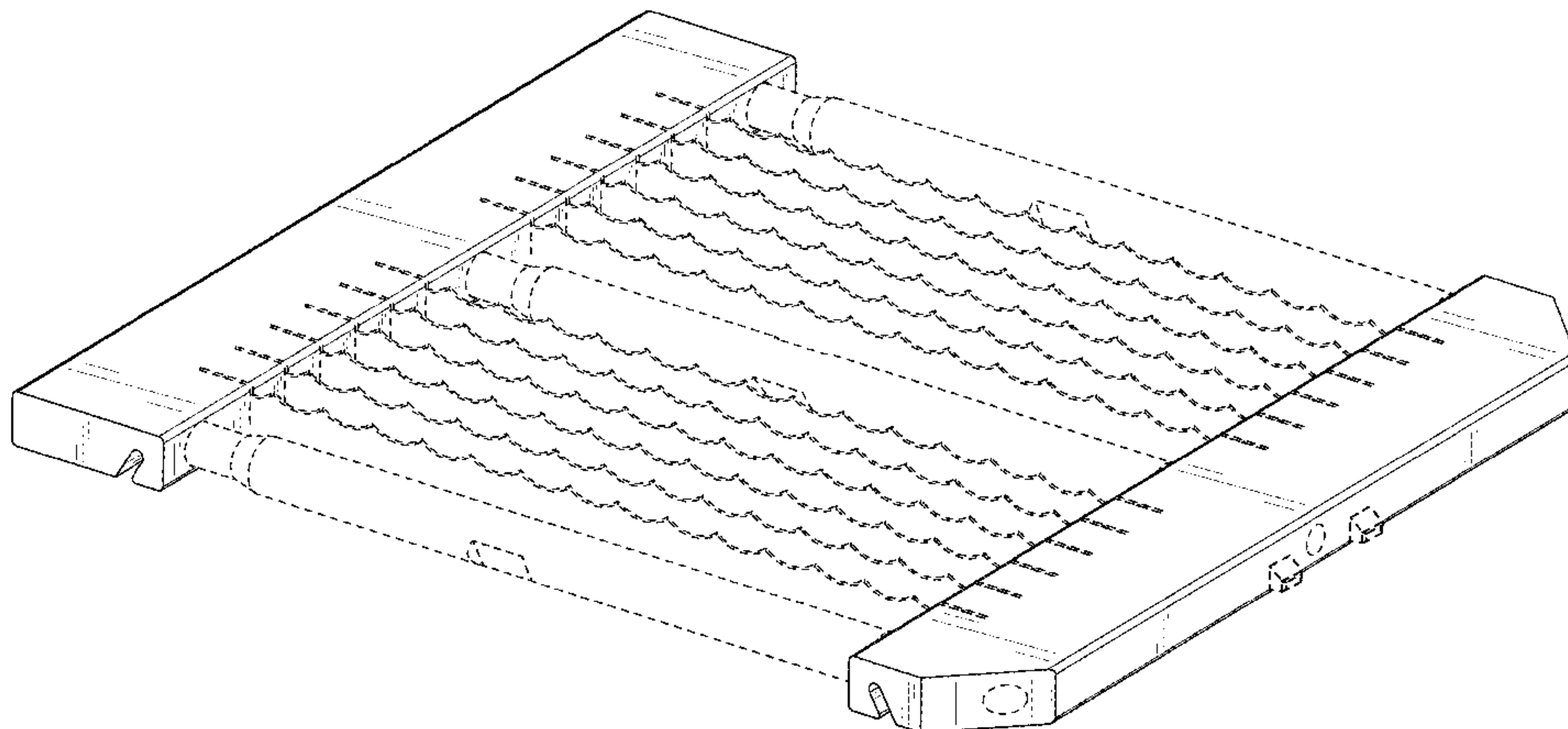
The ornamental design for a blade set, as shown and described.

**DESCRIPTION**

FIG. 1 is a perspective view of a blade set;  
FIG. 2 is a left view thereof;  
FIG. 3 is a right view thereof;  
FIG. 4 is a back side view thereof;  
FIG. 5 is a front side view thereof;  
FIG. 6 is a top view thereof; and,  
FIG. 7 is a bottom view thereof.

The broken lines showing of various portions and other elements in the Figures are for the purpose of illustrating unclaimed portions and form no part of the claimed design.

**1 Claim, 7 Drawing Sheets**



(56)

References Cited

U.S. PATENT DOCUMENTS

3,277,574 A \* 10/1966 Giasi ..... B26D 1/553  
83/651.1  
3,369,582 A \* 2/1968 Giangiulio ..... B26D 1/03  
83/425.3  
3,463,211 A \* 8/1969 Holz ..... B26D 3/185  
83/404.3  
3,605,839 A \* 9/1971 Gerson ..... B26D 1/553  
83/425.3  
3,605,840 A \* 9/1971 Morrett ..... B26D 3/26  
83/425.3  
3,807,266 A \* 4/1974 Camp ..... B26D 1/11  
83/404.4  
3,924,501 A 12/1975 Cohen et al.  
4,040,319 A \* 8/1977 Taniyama ..... B26D 3/185  
83/425.3  
4,059,037 A 11/1977 Gerson et al.  
D297,798 S 9/1988 Leung  
5,245,902 A 9/1993 Pereira  
5,343,623 A 9/1994 Cole et al.

5,749,145 A 5/1998 Bauklah  
D400,065 S 10/1998 Fohrman  
D406,990 S \* 3/1999 Ocampo ..... D7/673  
6,033,304 A \* 3/2000 Haynes ..... F24F 13/075  
454/290  
6,041,682 A 3/2000 Jensen et al.  
D505,302 S 5/2005 Veltrop et al.  
D778,673 S \* 2/2017 Fastabend ..... D7/412  
2005/0199115 A1 \* 9/2005 Veltrop ..... B26D 1/553  
83/599  
2006/0185488 A1 8/2006 Short et al.

OTHER PUBLICATIONS

Nemco, Operating and Maintenance Instruction for Lettuce Kutter, 2012.  
Nemco, Easy Cartridge Onion Slicer, 2008.  
Prince Castle LLC, Dice Witch, 2009.  
Prince Castle LLC, Lettuce Kuttlet, 2009.  
Prince Castle LLC, Tomato Saber Operating Instructions, 1999.  
Vollrath, Onion King Operator's Manual, 2014.

\* cited by examiner

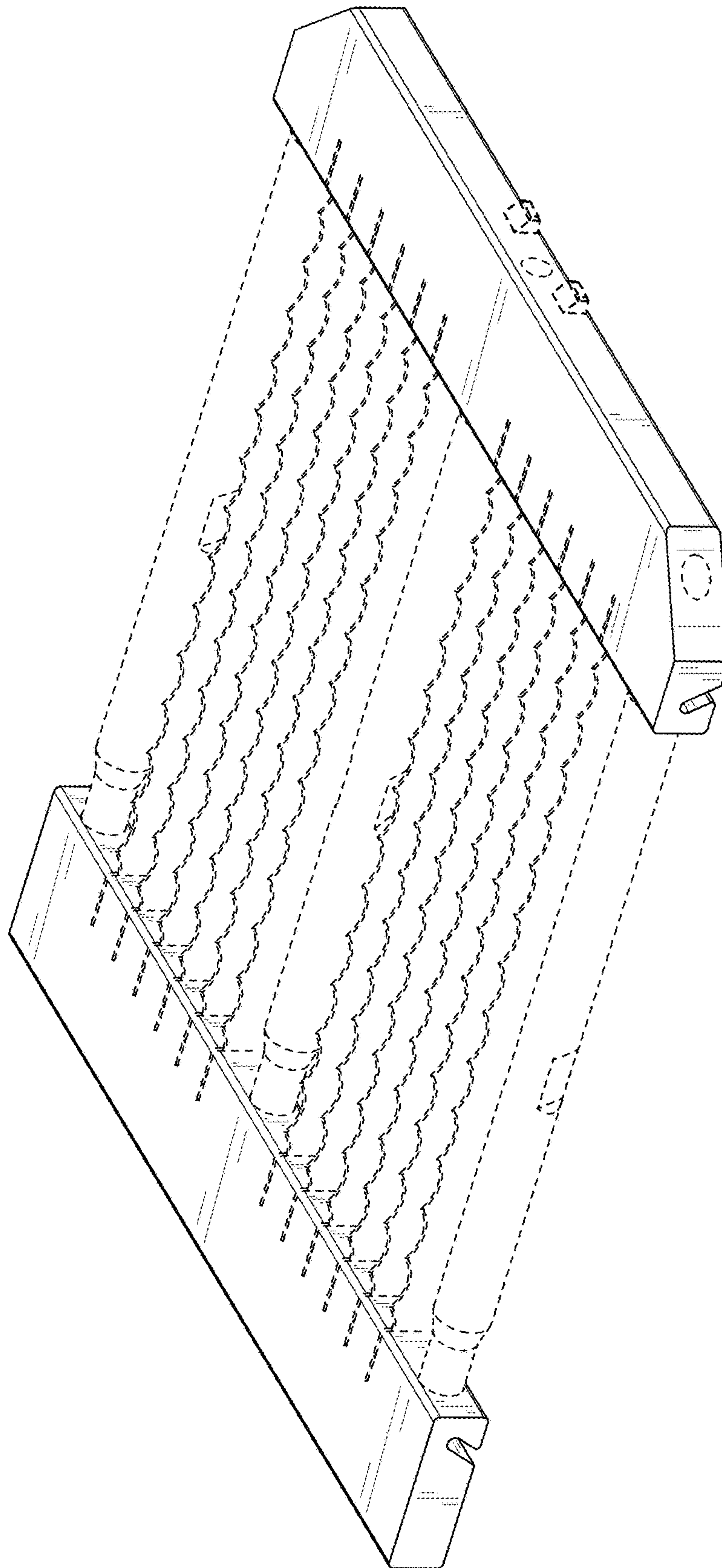


FIG. 1





FIG. 3



FIG. 4





FIG. 5

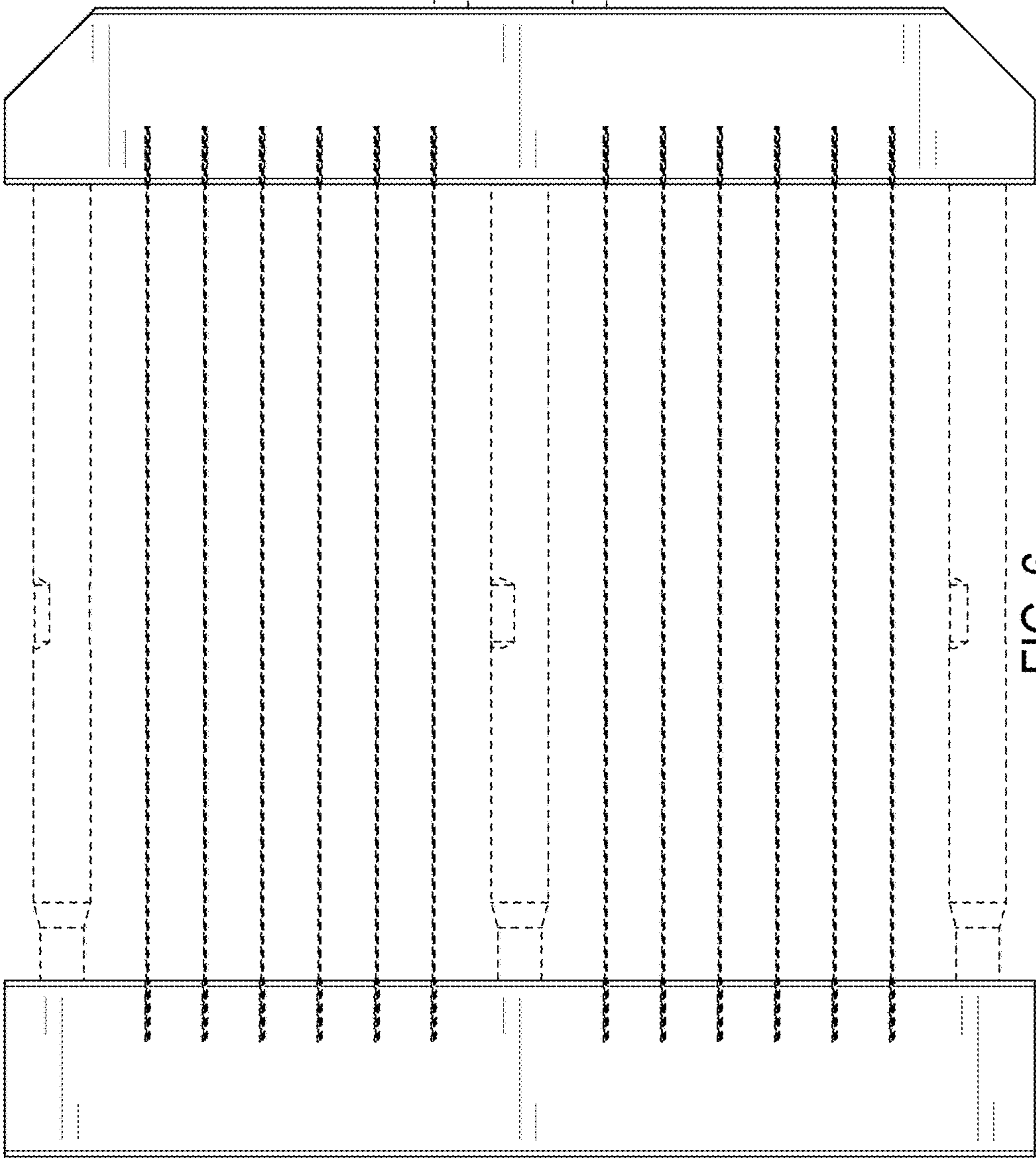


FIG. 6



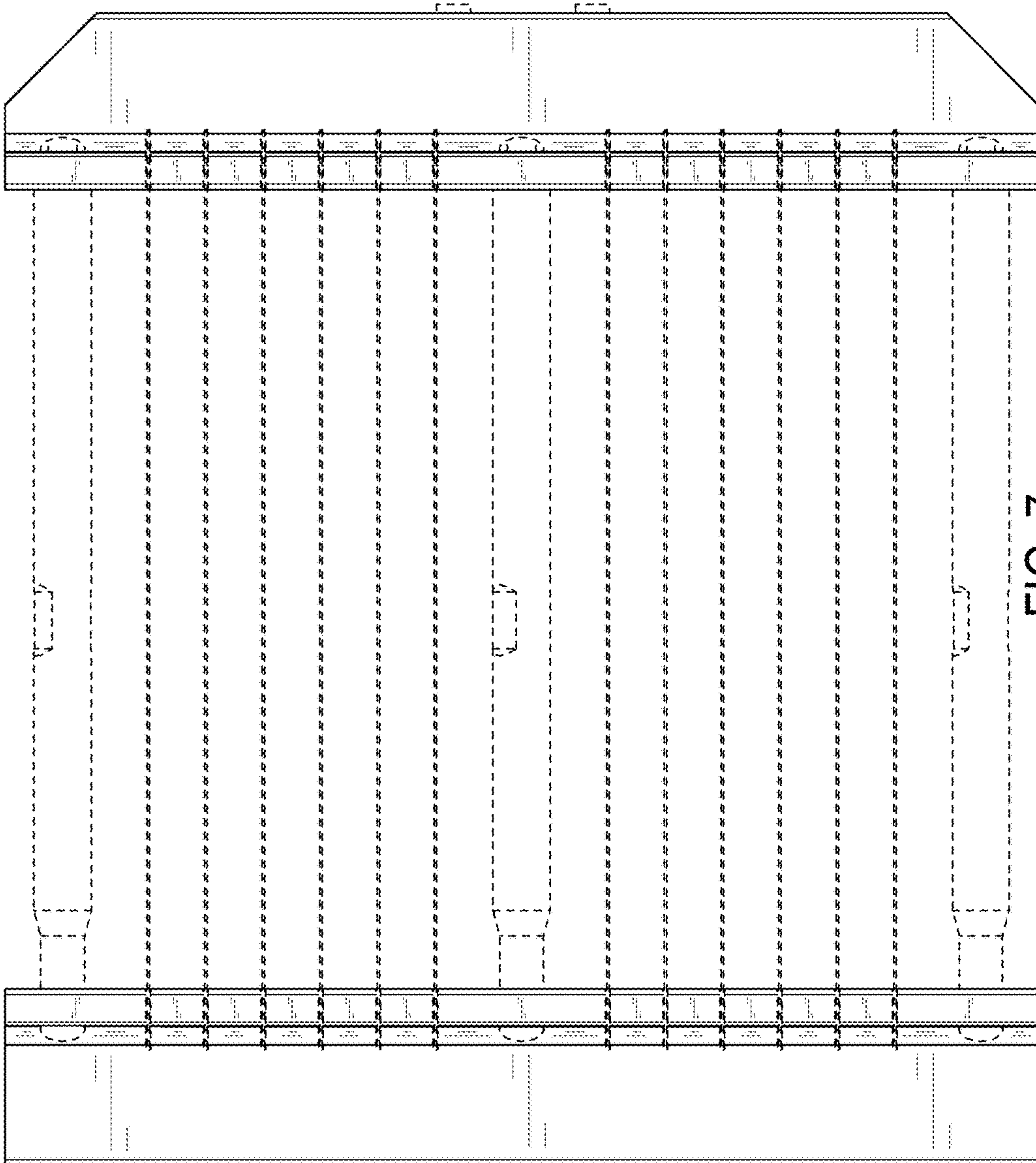


FIG. 7