



US00D817711S

(12) **United States Design Patent**
Kim et al.

(10) **Patent No.:** **US D817,711 S**
(45) **Date of Patent:** **** May 15, 2018**

(54) **GRILL FOR INDUCTION RANGE**
(71) Applicant: **LG ELECTRONICS INC.**, Seoul (KR)
(72) Inventors: **Sooyeon Kim**, Seoul (KR); **Hanjin Jung**, Seoul (KR); **Miyoung Kim**, Seoul (KR); **Songyi Han**, Seoul (KR); **Inhwan Ryu**, Seoul (KR)
(73) Assignee: **LG Electronics Inc.**, Seoul (KR)
(**) Term: **15 Years**
(21) Appl. No.: **35/501,976**
(22) Filed: **May 30, 2016**
(80) **Hague Agreement Data**
Int. Filing Date: **May 30, 2016**
Int. Reg. No.: **DM/090929**
Int. Reg. Date: **May 30, 2016**
Int. Reg. Pub. Date: **Dec. 2, 2016**

(30) **Foreign Application Priority Data**
Nov. 30, 2015 (KR) 30-2015-0060400
(51) **LOC (11) Cl.** **07-02**
(52) **U.S. Cl.**
USPC **D7/409**
CPC **F24C 15/12** (2013.01)
(58) **Field of Classification Search**
USPC D7/339-347, 362-397, 402-409
CPC F24C 15/107; F24C 15/12; F24C 15/36;
F24C 3/08; F24C 3/082; F24C 3/085;
F24C 7/067; F24C 7/062; F24C 7/082;
F24C 7/081; A47J 37/0709
See application file for complete search history.

(56) **References Cited**
U.S. PATENT DOCUMENTS
D475,569 S * 6/2003 Nichols D7/340
D477,177 S * 7/2003 Jeong D7/340

D486,034 S * 2/2004 Nichols D7/346
D486,349 S * 2/2004 Nichols D7/340
D486,350 S * 2/2004 Nichols D7/346
D530,972 S * 10/2006 Park D7/340
D557,069 S * 12/2007 Shin D7/408
D560,955 S * 2/2008 Shin D7/340
D563,714 S * 3/2008 Sadtler D7/340
D610,863 S * 3/2010 Kim D7/340
D614,915 S * 5/2010 Schnitman D7/409
D628,431 S * 12/2010 Funnell D7/346
D629,638 S * 12/2010 Funnell D7/346
D634,579 S * 3/2011 Funnell, II D7/346
D634,580 S * 3/2011 Funnell, II D7/346
D642,417 S * 8/2011 Kim D7/340
D653,900 S * 2/2012 Kim D7/340
D655,128 S * 3/2012 Kim D7/340
D680,809 S * 4/2013 Kim D7/402
D684,424 S * 6/2013 Funnell D7/408
D697,358 S * 1/2014 Kim D7/340

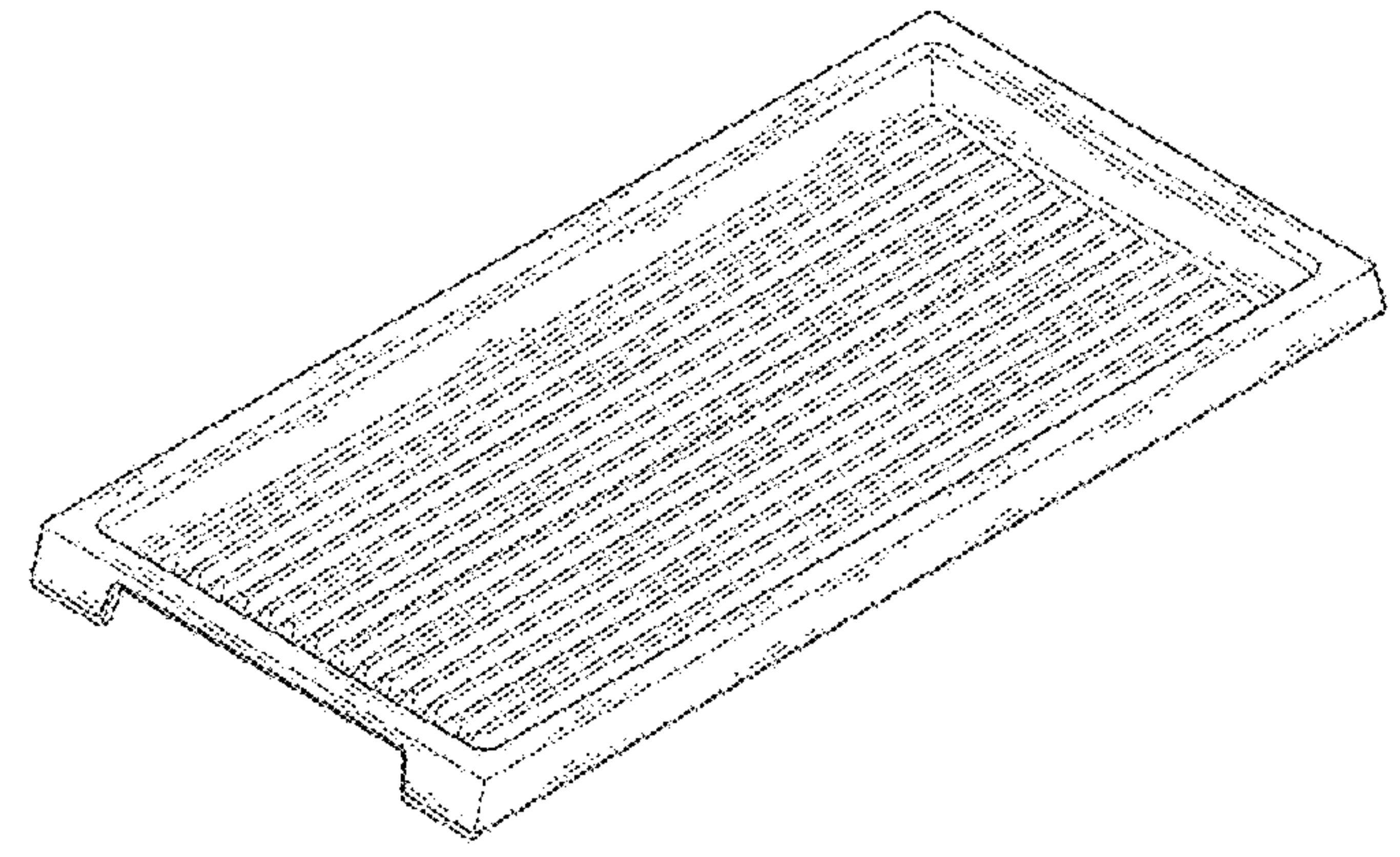
(Continued)

Primary Examiner — Richard E Chilcot
(74) *Attorney, Agent, or Firm* — Birch, Stewart, Kolasch & Birch, LLP

(57) **CLAIM**
The ornamental design for a grill for induction range, as shown and described.

DESCRIPTION
1. Grill for induction range
1.1 is a perspective view of a grill for induction range showing our new design;
1.2 is a front elevation view thereof;
1.3 is a rear elevation view thereof;
1.4 is a left-side elevation view thereof;
1.5 is a right-side elevation view thereof;
1.6 is a top plan view thereof;
1.7 is a bottom plan view thereof; and
1.8 is another perspective view thereof in a use condition.
The broken lines in the drawing figures are included for the purpose of illustrating environment and form no part of the claimed design.

1 Claim, 8 Drawing Sheets



(56)

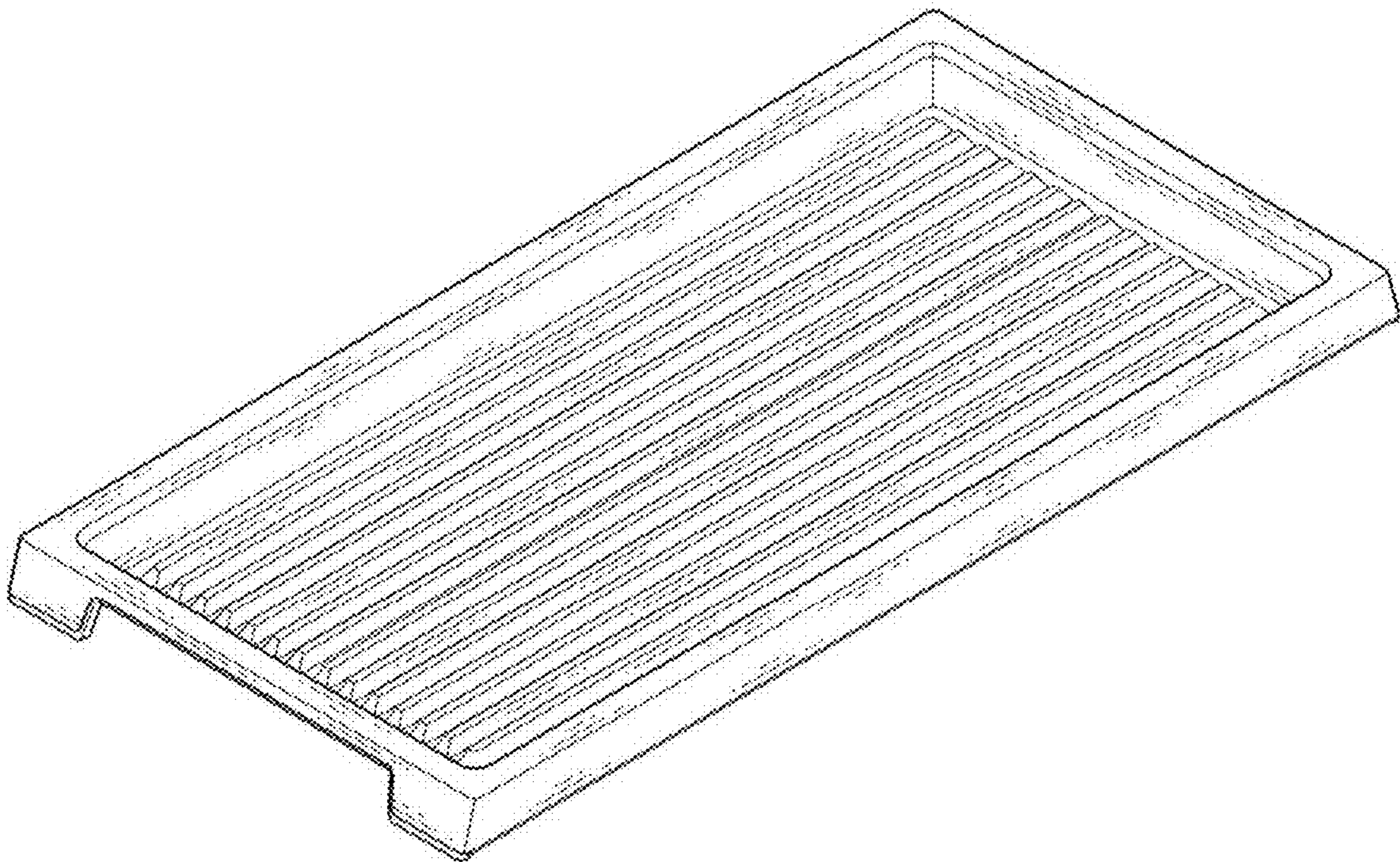
References Cited

U.S. PATENT DOCUMENTS

D703,484	S *	4/2014	Boo	D7/408
D704,508	S *	5/2014	Nordwall	D7/346
D731,845	S *	6/2015	Kim	D7/340
D736,553	S *	8/2015	Funnell, II	D7/339
D764,220	S *	8/2016	Kim	D7/339
D781,096	S *	3/2017	Kim	D7/339
D782,872	S *	4/2017	Cho	D7/406
D785,398	S *	5/2017	Kim	D7/340
D786,005	S *	5/2017	Kim	D7/340
D786,006	S *	5/2017	Chung	D7/340
D786,608	S *	5/2017	Cho	D7/339
D786,609	S *	5/2017	Cho	D7/339
D787,255	S *	5/2017	Cho	D7/339
D787,256	S *	5/2017	Cho	D7/339
D789,729	S *	6/2017	Lee	D7/340
9,696,040	B2 *	7/2017	Yoon	F24C 3/124
D793,160	S *	8/2017	Cho	D7/408

* cited by examiner

1.1



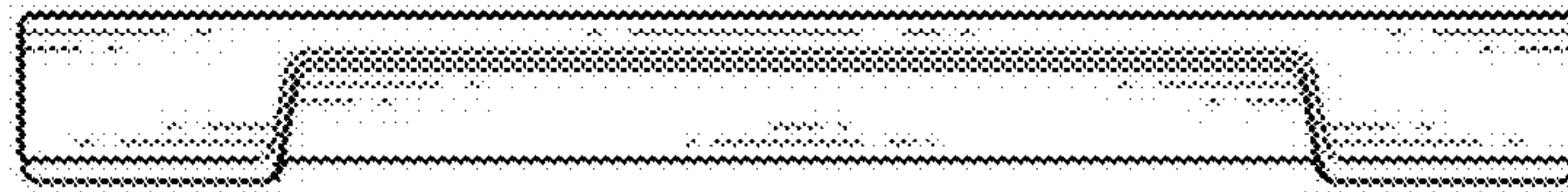
1.2



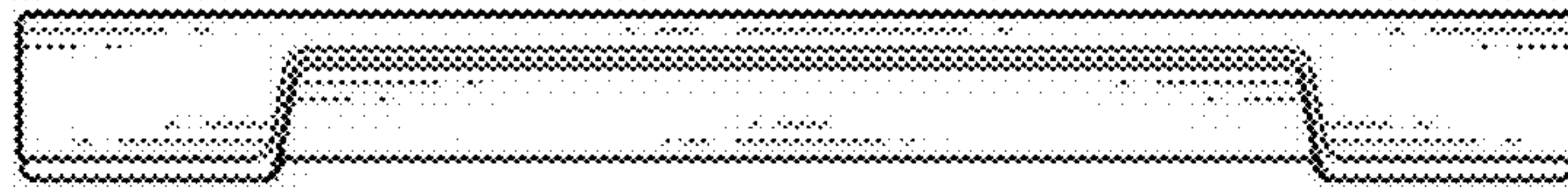
1.3



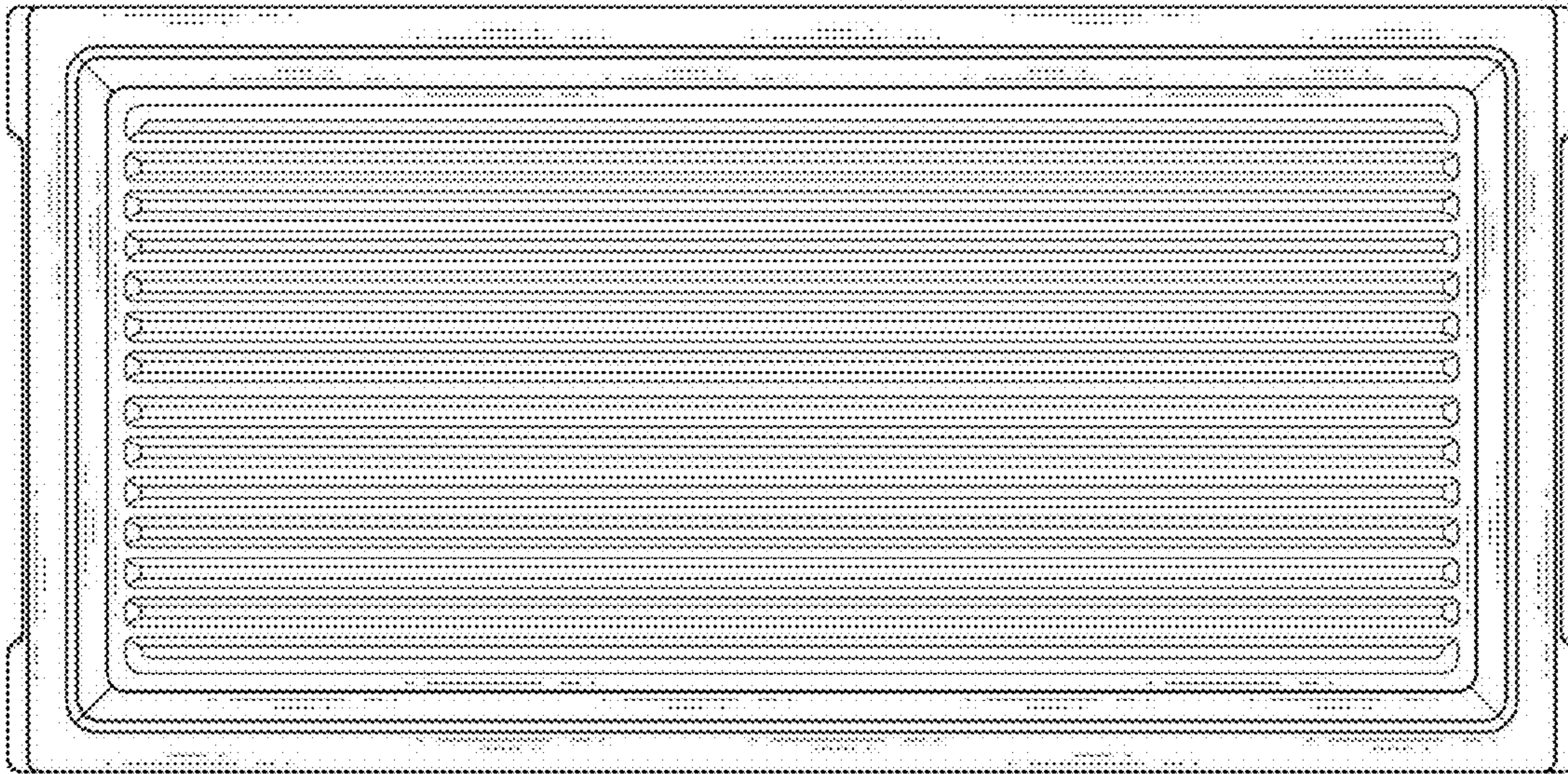
1.4



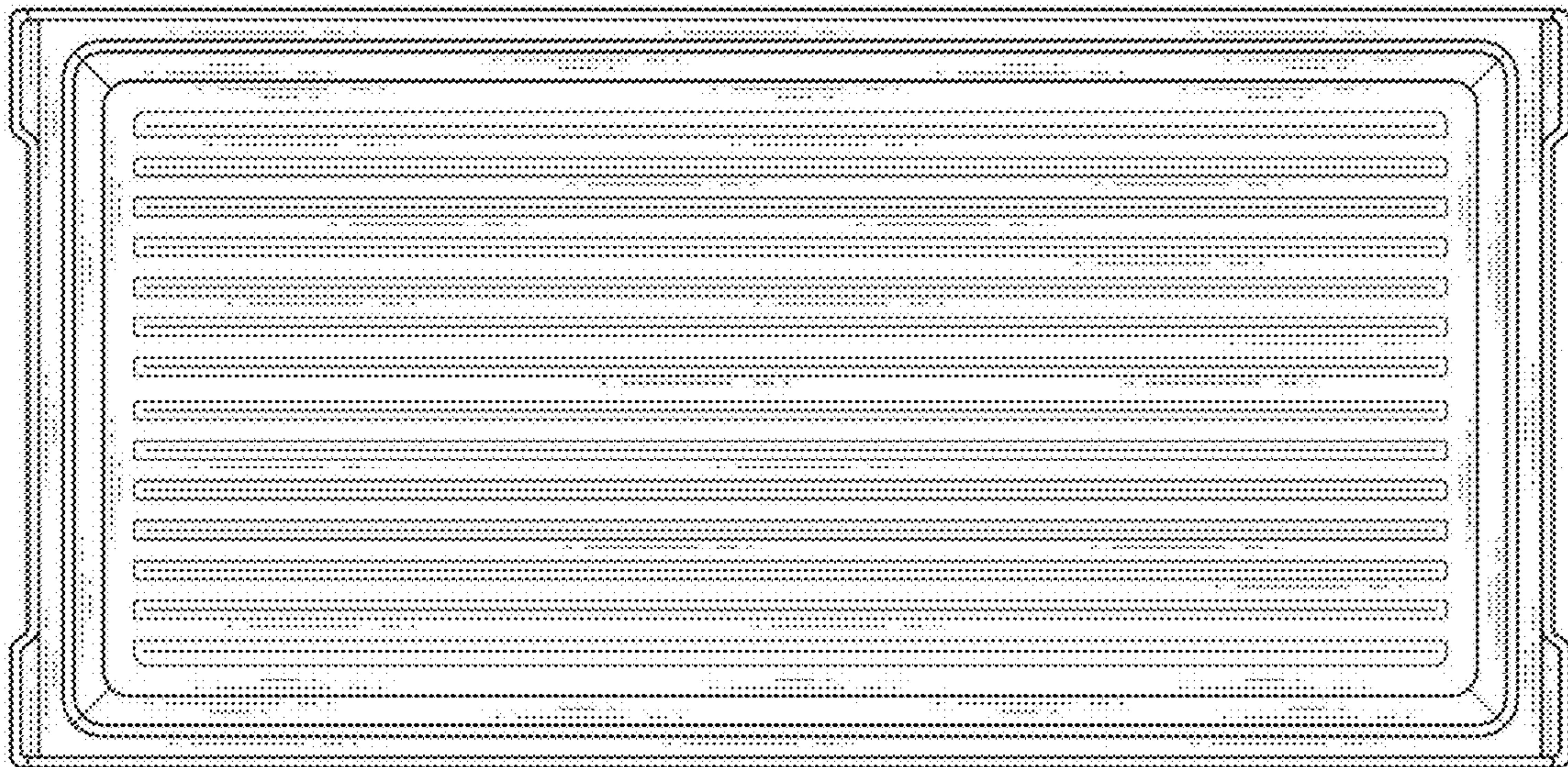
1.5



1.6



1.7



1.8

