



US00D817710S

(12) **United States Design Patent**  
**Kim et al.**

(10) **Patent No.:** **US D817,710 S**  
(45) **Date of Patent:** **\*\* May 15, 2018**

(54) **GRIDDLE FOR INDUCTION RANGE**

(71) Applicant: **LG ELECTRONICS INC.**, Seoul (KR)

(72) Inventors: **Sooyeon Kim**, Seoul (KR); **Hanjin Jung**, Seoul (KR); **Miyoung Kim**, Seoul (KR); **Songyi Han**, Seoul (KR); **Inhwan Ryu**, Seoul (KR)

(73) Assignee: **LG Electronics Inc.**, Seoul (KR)

(\*\*) Term: **15 Years**

(21) Appl. No.: **35/501,975**

(22) Filed: **May 30, 2016**

(80) **Hague Agreement Data**

Int. Filing Date: **May 30, 2016**

Int. Reg. No.: **DM/090928**

Int. Reg. Date: **May 30, 2016**

Int. Reg. Pub. Date: **Dec. 2, 2016**

(30) **Foreign Application Priority Data**

Nov. 30, 2015 (KR) ..... 30-2015-0060401

(51) **LOC (11) Cl.** ..... **07-02**

(52) **U.S. Cl.**

USPC ..... **D7/409**

CPC ..... **F24C 15/12** (2013.01)

(58) **Field of Classification Search**

USPC ..... D7/339-347, 362-397, 402-409

CPC ..... F24C 15/107; F24C 15/12; F24C 15/36;

F24C 3/08; F24C 3/082; F24C 3/085;

F24C 7/067; F24C 7/062; F24C 7/082;

F24C 7/081; A47J 37/0709

See application file for complete search history.

(56) **References Cited**

**U.S. PATENT DOCUMENTS**

D475,569 S \* 6/2003 Nichols ..... D7/340

D477,177 S \* 7/2003 Jeong ..... D7/340

|              |         |             |       |        |
|--------------|---------|-------------|-------|--------|
| D486,034 S * | 2/2004  | Nichols     | ..... | D7/346 |
| D486,349 S * | 2/2004  | Nichols     | ..... | D7/340 |
| D486,350 S * | 2/2004  | Nichols     | ..... | D7/346 |
| D530,972 S * | 10/2006 | Park        | ..... | D7/340 |
| D557,069 S * | 12/2007 | Shin        | ..... | D7/408 |
| D560,955 S * | 2/2008  | Shin        | ..... | D7/340 |
| D563,714 S * | 3/2008  | Sadtler     | ..... | D7/340 |
| D610,863 S * | 3/2010  | Kim         | ..... | D7/340 |
| D614,915 S * | 5/2010  | Schnitman   | ..... | D7/409 |
| D628,431 S * | 12/2010 | Funnell     | ..... | D7/346 |
| D629,638 S * | 12/2010 | Funnell     | ..... | D7/346 |
| D634,579 S * | 3/2011  | Funnell, II | ..... | D7/346 |
| D634,580 S * | 3/2011  | Funnell, II | ..... | D7/346 |
| D642,417 S * | 8/2011  | Kim         | ..... | D7/340 |
| D653,900 S * | 2/2012  | Kim         | ..... | D7/340 |
| D655,128 S * | 3/2012  | Kim         | ..... | D7/340 |
| D680,809 S * | 4/2013  | Kim         | ..... | D7/402 |
| D684,424 S * | 6/2013  | Funnell     | ..... | D7/408 |
| D697,358 S * | 1/2014  | Kim         | ..... | D7/340 |

(Continued)

*Primary Examiner* — Richard E Chilcot

(74) *Attorney, Agent, or Firm* — Birch, Stewart, Kolasch & Birch, LLP

(57) **CLAIM**

The ornamental design for a griddle for induction range, as shown and described.

**DESCRIPTION**

1. Griddle for induction range

1.1 is a perspective view of a griddle for induction range showing our new design;

1.2 is a front elevation view thereof;

1.3 is a rear elevation view thereof;

1.4 is a left-side elevation view thereof;

1.5 is a right-side elevation view thereof;

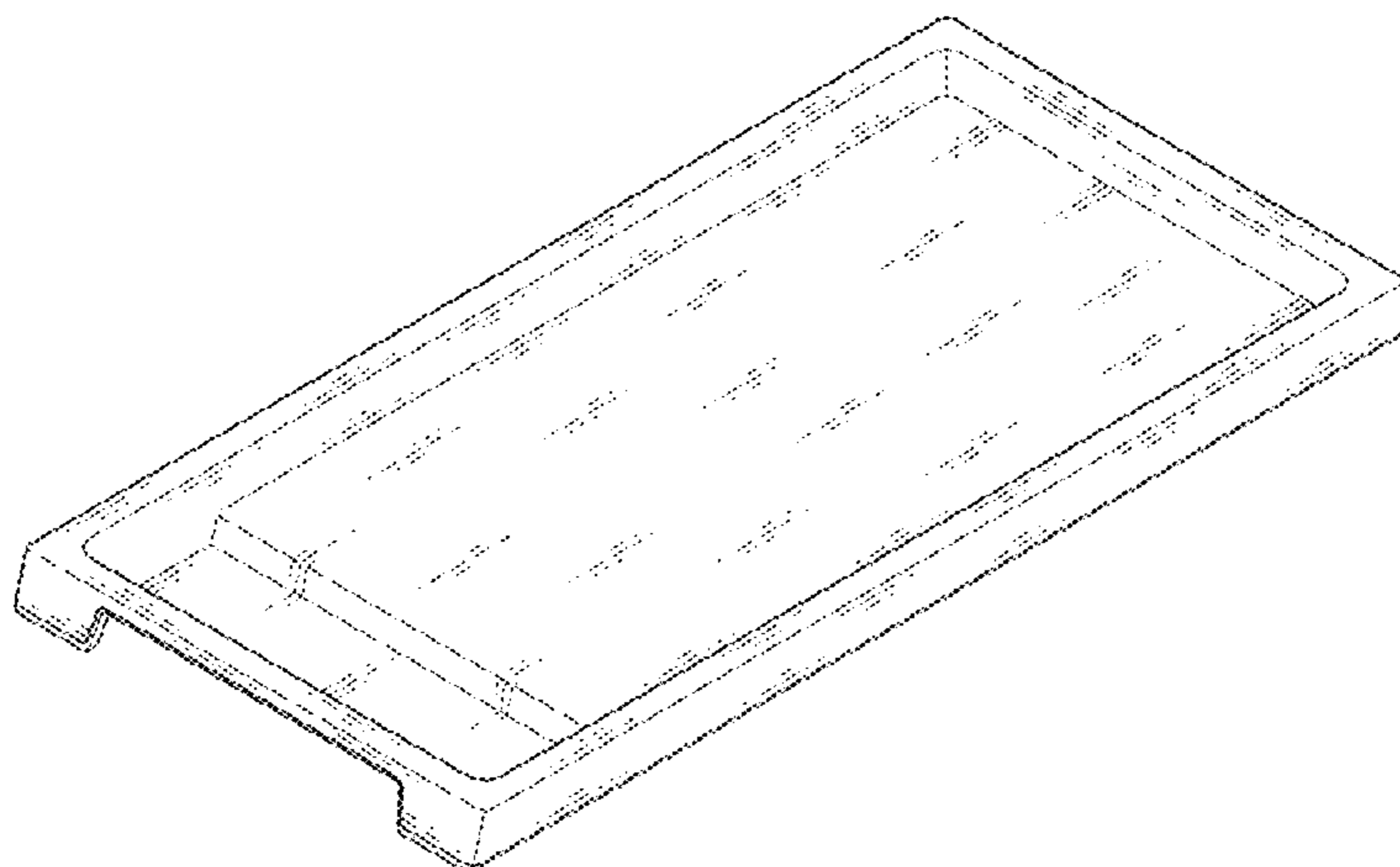
1.6 is a top plan view thereof;

1.7 is a bottom plan view thereof; and

1.8 is another perspective view thereof in a use condition.

The broken lines in the drawing figures are included for the purpose of illustrating environment and form no part of the claimed design.

**1 Claim, 8 Drawing Sheets**



(56)

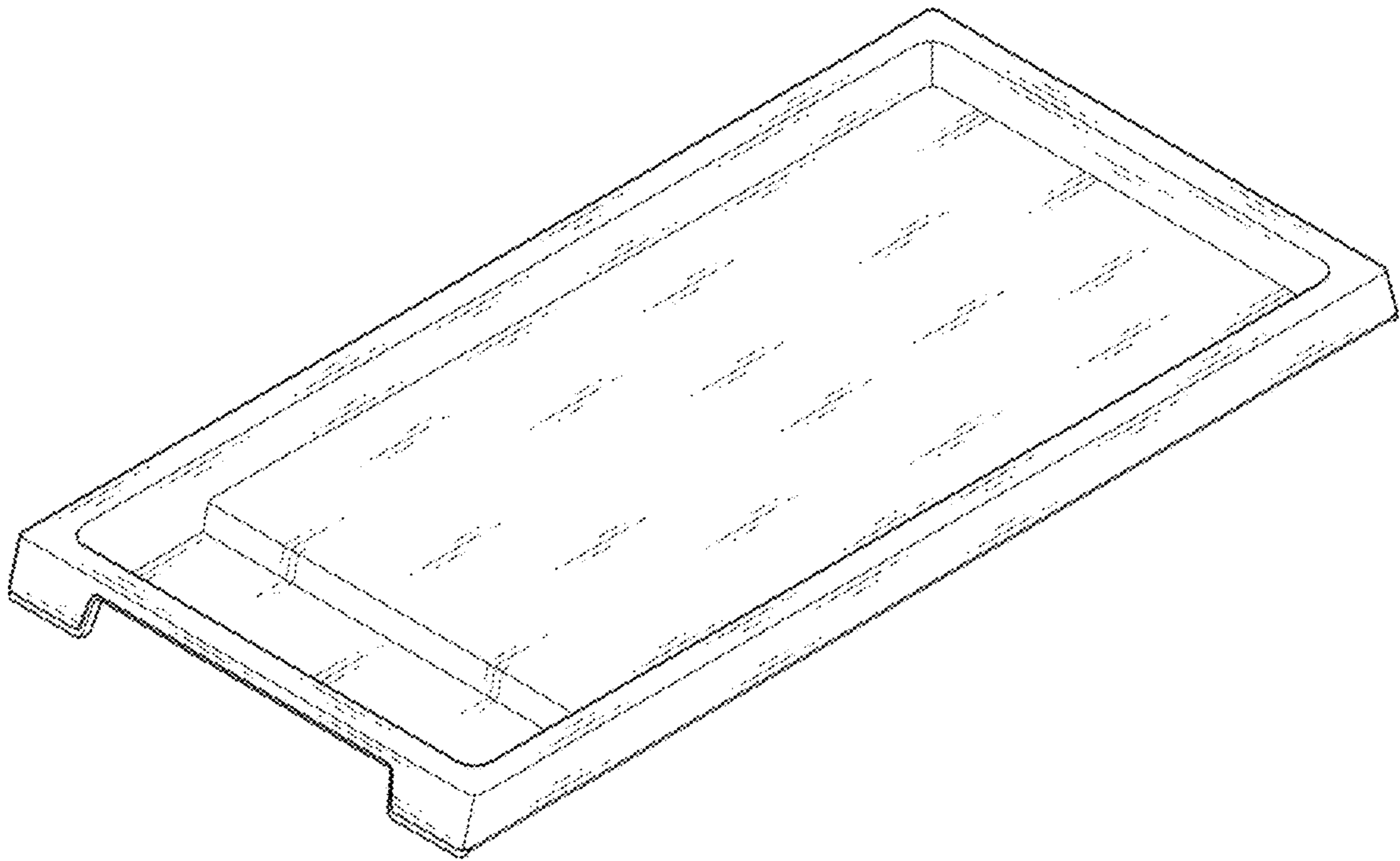
**References Cited**

U.S. PATENT DOCUMENTS

|           |    |   |        |             |       |            |
|-----------|----|---|--------|-------------|-------|------------|
| D703,484  | S  | * | 4/2014 | Boo         | ..... | D7/408     |
| D704,508  | S  | * | 5/2014 | Nordwall    | ..... | D7/346     |
| D731,845  | S  | * | 6/2015 | Kim         | ..... | D7/340     |
| D736,553  | S  | * | 8/2015 | Funnell, II | ..... | D7/339     |
| D764,220  | S  | * | 8/2016 | Kim         | ..... | D7/339     |
| D781,096  | S  | * | 3/2017 | Kim         | ..... | D7/339     |
| D782,872  | S  | * | 4/2017 | Cho         | ..... | D7/406     |
| D785,398  | S  | * | 5/2017 | Kim         | ..... | D7/340     |
| D786,005  | S  | * | 5/2017 | Kim         | ..... | D7/340     |
| D786,006  | S  | * | 5/2017 | Chung       | ..... | D7/340     |
| D786,608  | S  | * | 5/2017 | Cho         | ..... | D7/339     |
| D786,609  | S  | * | 5/2017 | Cho         | ..... | D7/339     |
| D787,255  | S  | * | 5/2017 | Cho         | ..... | D7/339     |
| D787,256  | S  | * | 5/2017 | Cho         | ..... | D7/339     |
| D789,729  | S  | * | 6/2017 | Lee         | ..... | D7/340     |
| 9,696,040 | B2 | * | 7/2017 | Yoon        | ..... | F24C 3/124 |
| D793,160  | S  | * | 8/2017 | Cho         | ..... | D7/408     |

\* cited by examiner

1.1



1.2



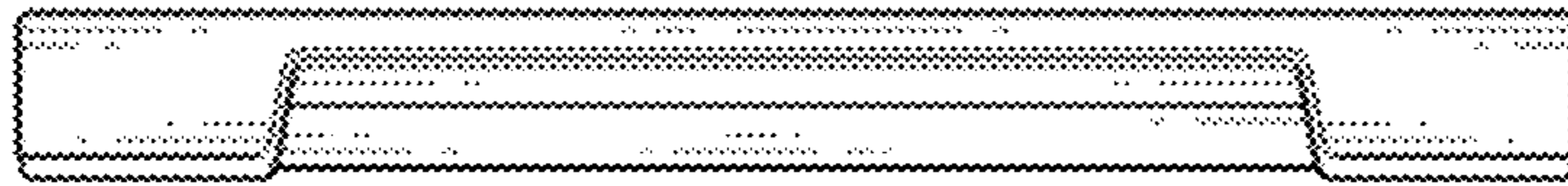
1.3



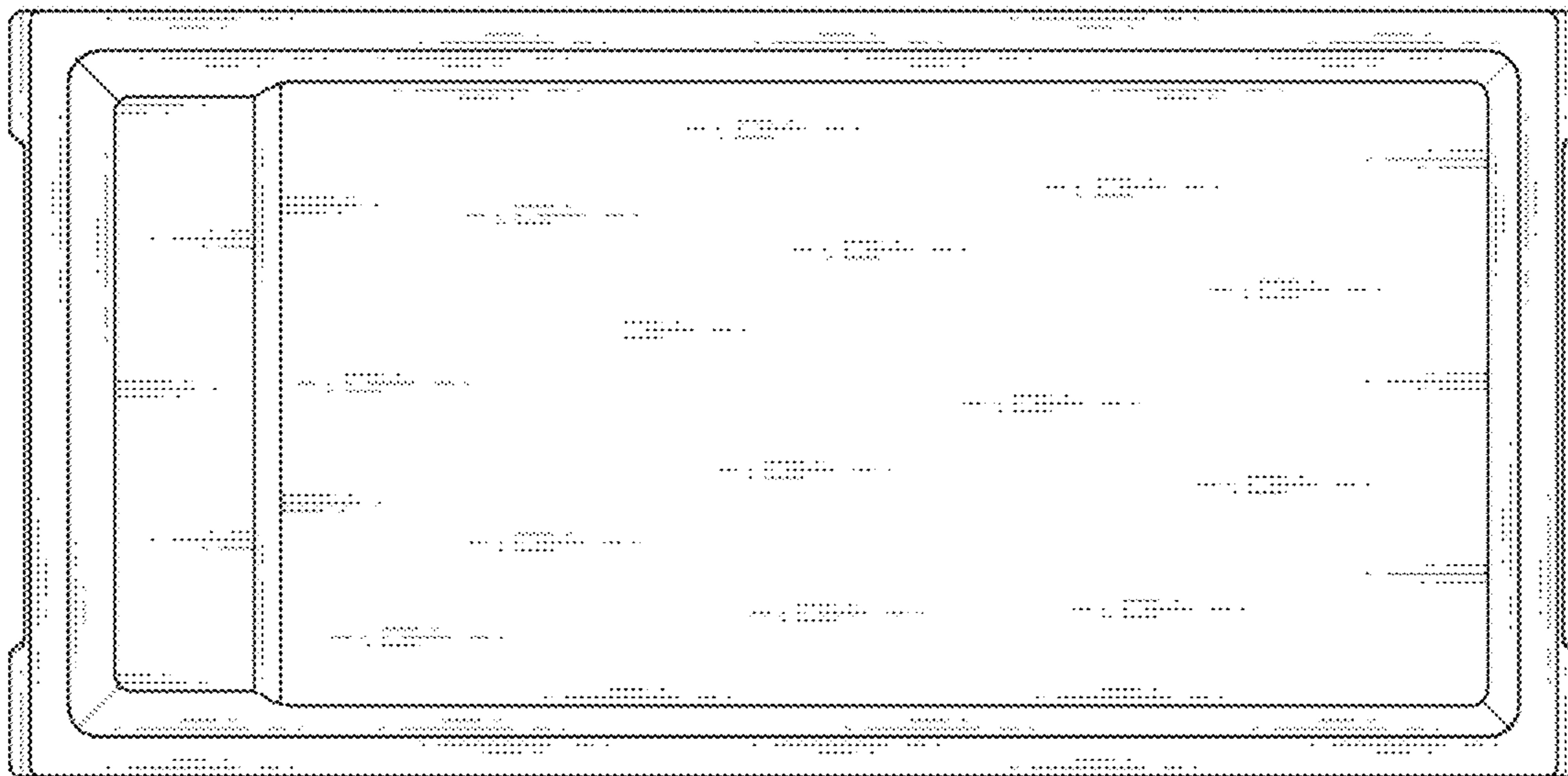
1.4



1.5

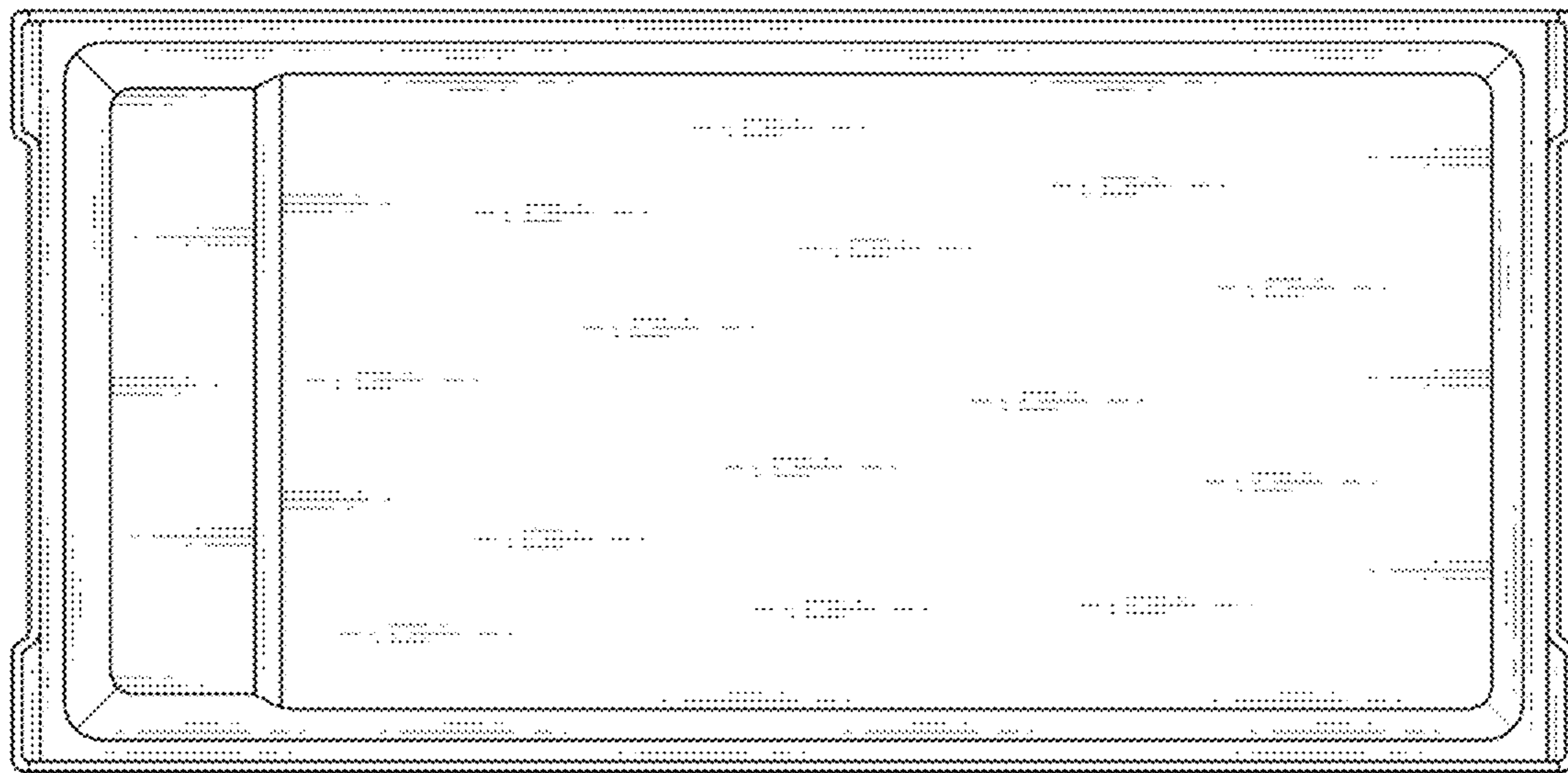


1.6





1.7



1.8

