



US00D817707S

(12) **United States Design Patent** (10) **Patent No.:** **US D817,707 S**  
**Kim et al.** (45) **Date of Patent:** **\*\* May 15, 2018**

(54) **HOOD FOR GAS INDUCTION RANGE WITH OVEN**

(56) **References Cited**

U.S. PATENT DOCUMENTS

(71) Applicant: **LG ELECTRONICS INC.**, Seoul (KR)

4,562,827 A \* 1/1986 Cerola ..... F24C 15/2042  
126/299 R

(72) Inventors: **Sooyeon Kim**, Seoul (KR); **Hanjin Jung**, Seoul (KR); **Miyoung Kim**, Seoul (KR); **Songyi Han**, Seoul (KR); **Inhwan Ryu**, Seoul (KR)

D284,345 S \* 6/1986 Baughman ..... D7/402  
D284,928 S \* 8/1986 Clark ..... D7/323  
D293,068 S \* 12/1987 Cerola ..... D7/346  
D293,069 S \* 12/1987 Cerola ..... D7/346

(Continued)

(73) Assignee: **LG Electronics Inc.**, Seoul (KR)

*Primary Examiner* — Richard E Chilcot

(\*\*) Term: **15 Years**

(74) *Attorney, Agent, or Firm* — Birch, Stewart, Kolasch & Birch, LLP

(21) Appl. No.: **35/502,008**

(57) **CLAIM**

(22) Filed: **May 30, 2016**

The ornamental design for a hood for gas induction range with oven, as shown and described.

(80) **Hague Agreement Data**

**DESCRIPTION**

Int. Filing Date: **May 30, 2016**

Int. Reg. No.: **DM/091807**

Int. Reg. Date: **May 30, 2016**

Int. Reg. Pub. Date: **Dec. 2, 2016**

(30) **Foreign Application Priority Data**

Nov. 30, 2015 (KR) ..... 30-2015-0060467

(51) **LOC (11) Cl.** ..... **07-02**

(52) **U.S. Cl.**

USPC ..... **D7/407**

CPC ..... **F24C 15/12** (2013.01)

(58) **Field of Classification Search**

USPC ..... D23/370–385, 411–414, 365;  
D7/339–347, 362–397, 402–409;  
126/299 D, 299 R

CPC ..... F24C 15/107; F24C 15/12; F24C 15/36;

F24C 3/08; F24C 3/082; F24C 3/085;

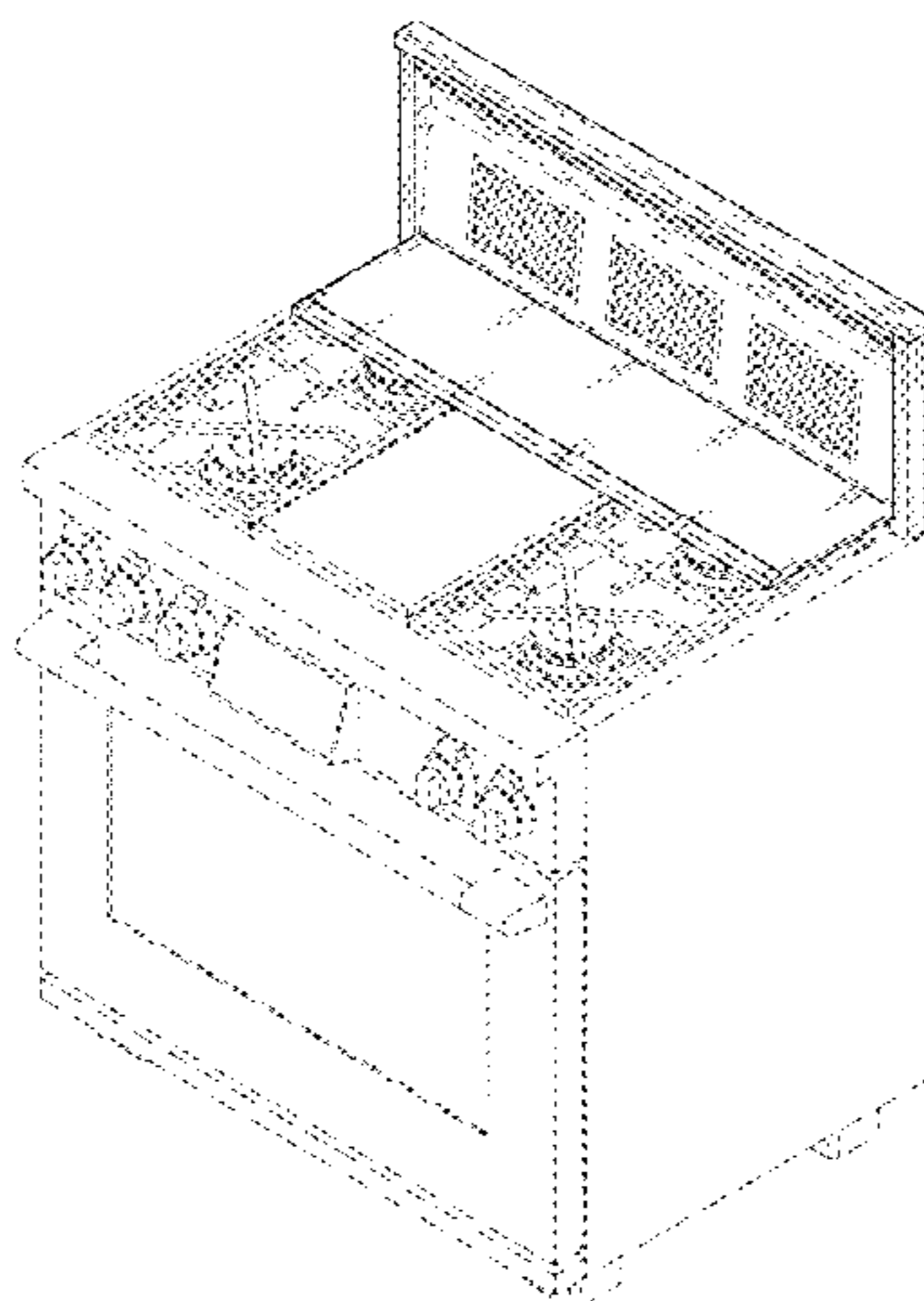
F24C 7/067; F24C 7/062; F24C 7/082;

F24C 7/081; A47J 37/0709

See application file for complete search history.

1. Hood for gas induction range with oven
- 1.1 is a perspective view of a hood for gas induction range with oven when it slides out.
- 1.2 is a front elevation view thereof;
- 1.3 is a rear elevation view thereof;
- 1.4 is a left-side elevation view thereof;
- 1.5 is a right-side elevation view thereof;
- 1.6 is a top plan view thereof;
- 1.7 is a bottom plan view thereof;
- 1.8 is another perspective view thereof in a use condition;
- 1.9 is another perspective view with its front cover being opened in a use condition;
- 1.10 is a perspective view of the hood for gas induction range with oven when it slides in;
- 1.11 is a front elevation view thereof;
- 1.12 is a rear elevation view thereof;
- 1.13 is a left-side elevation view thereof;
- 1.14 is a right-side elevation view thereof;
- 1.15 is a top plan view thereof;
- 1.16 is a bottom plan view thereof; and
- 1.17 is another perspective view thereof in a use condition.

(Continued)



The broken lines in the drawing figures are included for the purpose of illustrating environment and form no part of the claimed design.

**1 Claim, 17 Drawing Sheets**

(56)

**References Cited**

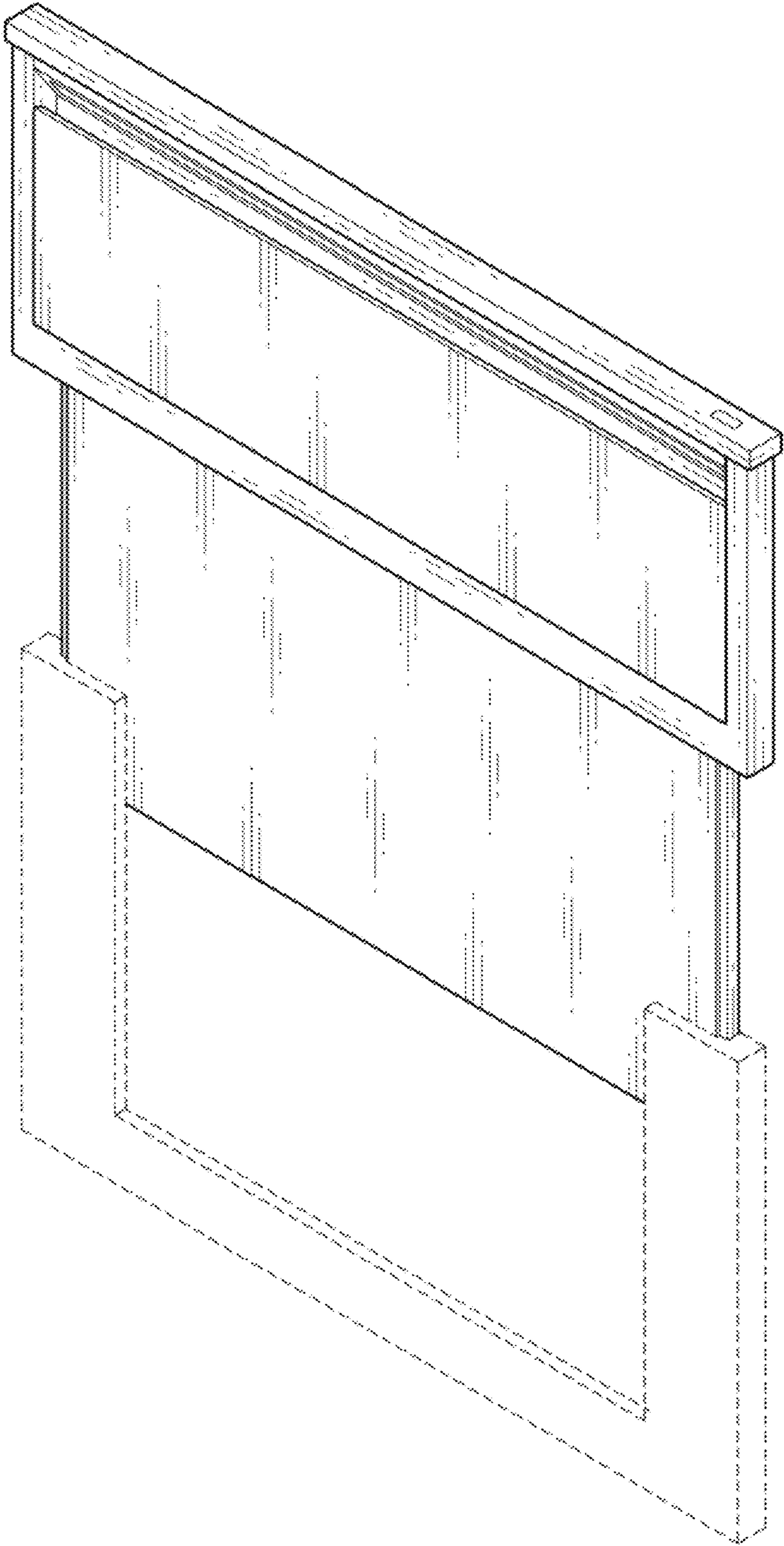
U.S. PATENT DOCUMENTS

D293,070 S \* 12/1987 Cerola ..... D7/346  
 4,862,795 A \* 9/1989 Hawkins ..... A47J 37/0709  
 126/1 R  
 5,078,122 A \* 1/1992 Kalenian ..... A47J 37/06  
 126/299 C  
 5,119,802 A \* 6/1992 Cherry ..... F24C 15/2042  
 126/21 A  
 5,123,337 A \* 6/1992 Vilgrain ..... A47J 17/18  
 366/144  
 D346,306 S \* 4/1994 Falk ..... D7/346  
 5,301,653 A \* 4/1994 Gerdes ..... F24C 15/2042  
 126/39 E

D361,835 S \* 8/1995 Brandon ..... D23/372  
 D374,372 S \* 10/1996 Holbrook, Jr. .... D7/340  
 D391,800 S \* 3/1998 Holbrook, Jr. .... D7/340  
 D405,311 S \* 2/1999 Holbrook, Jr. .... D7/340  
 5,884,619 A \* 3/1999 Terry ..... F24C 15/2042  
 126/299 D  
 D427,486 S \* 7/2000 Bales ..... D7/408  
 D429,953 S \* 8/2000 Orzel ..... D7/405  
 D430,451 S \* 9/2000 Bordet ..... D7/340  
 D444,024 S \* 6/2001 Becker ..... D7/346  
 D467,768 S \* 12/2002 Becker ..... D7/407  
 D468,964 S \* 1/2003 Becker ..... F24C 15/107  
 D7/408  
 D537,159 S \* 2/2007 Kashimura ..... D23/372  
 D613,117 S \* 4/2010 Richburg ..... D7/409  
 D652,247 S \* 1/2012 Monteiro Sindeaux ..... D7/340  
 D667,253 S \* 9/2012 Warren ..... D7/335  
 D682,006 S \* 5/2013 Merkurieff ..... D7/332  
 D717,595 S \* 11/2014 Knoll ..... D7/402  
 D743,520 S \* 11/2015 Sinur ..... D23/372  
 D745,131 S \* 12/2015 Sinur ..... D23/372  
 D755,362 S \* 5/2016 Chen ..... D23/372  
 D758,559 S \* 6/2016 Sinur ..... D23/372

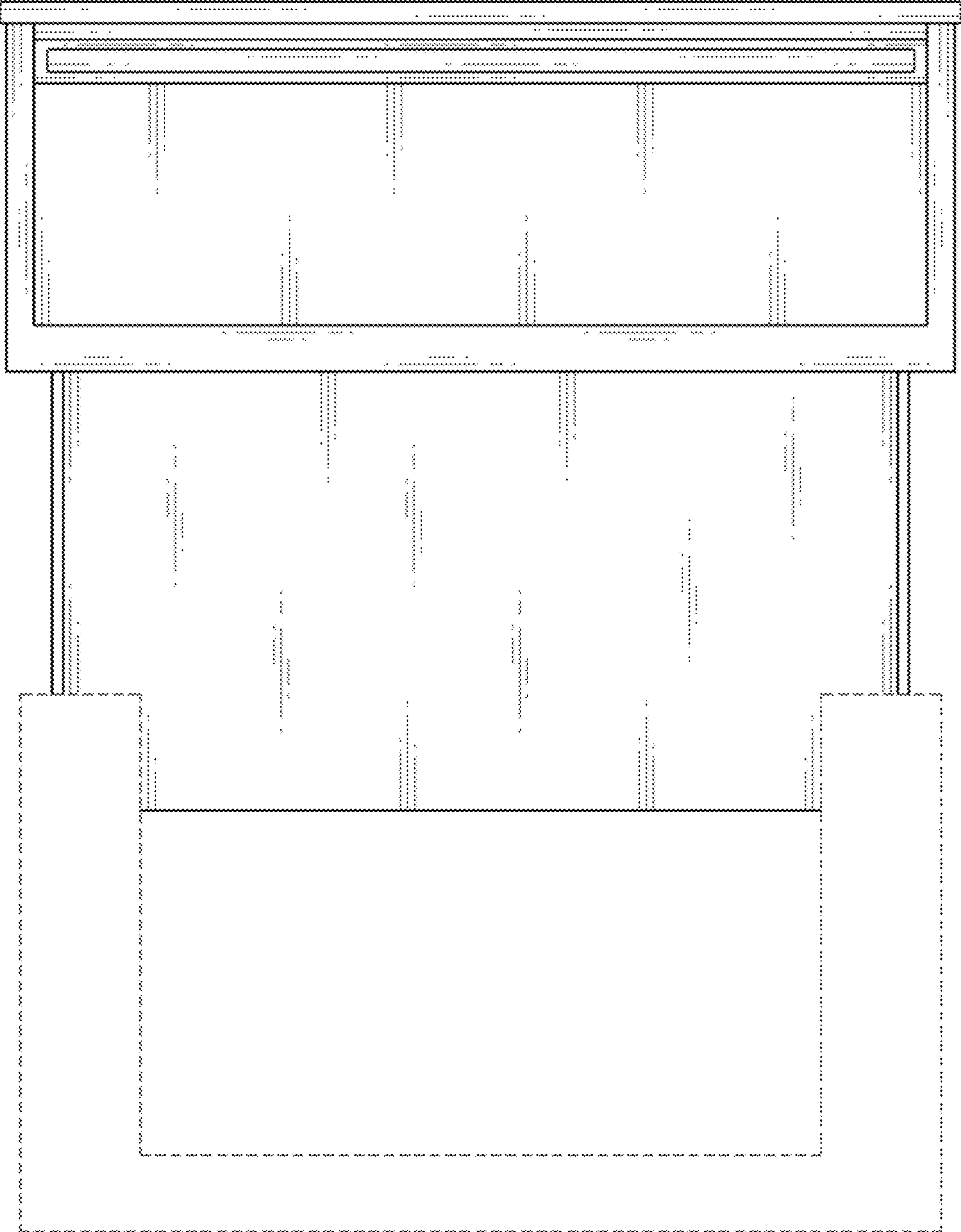
\* cited by examiner

1.1

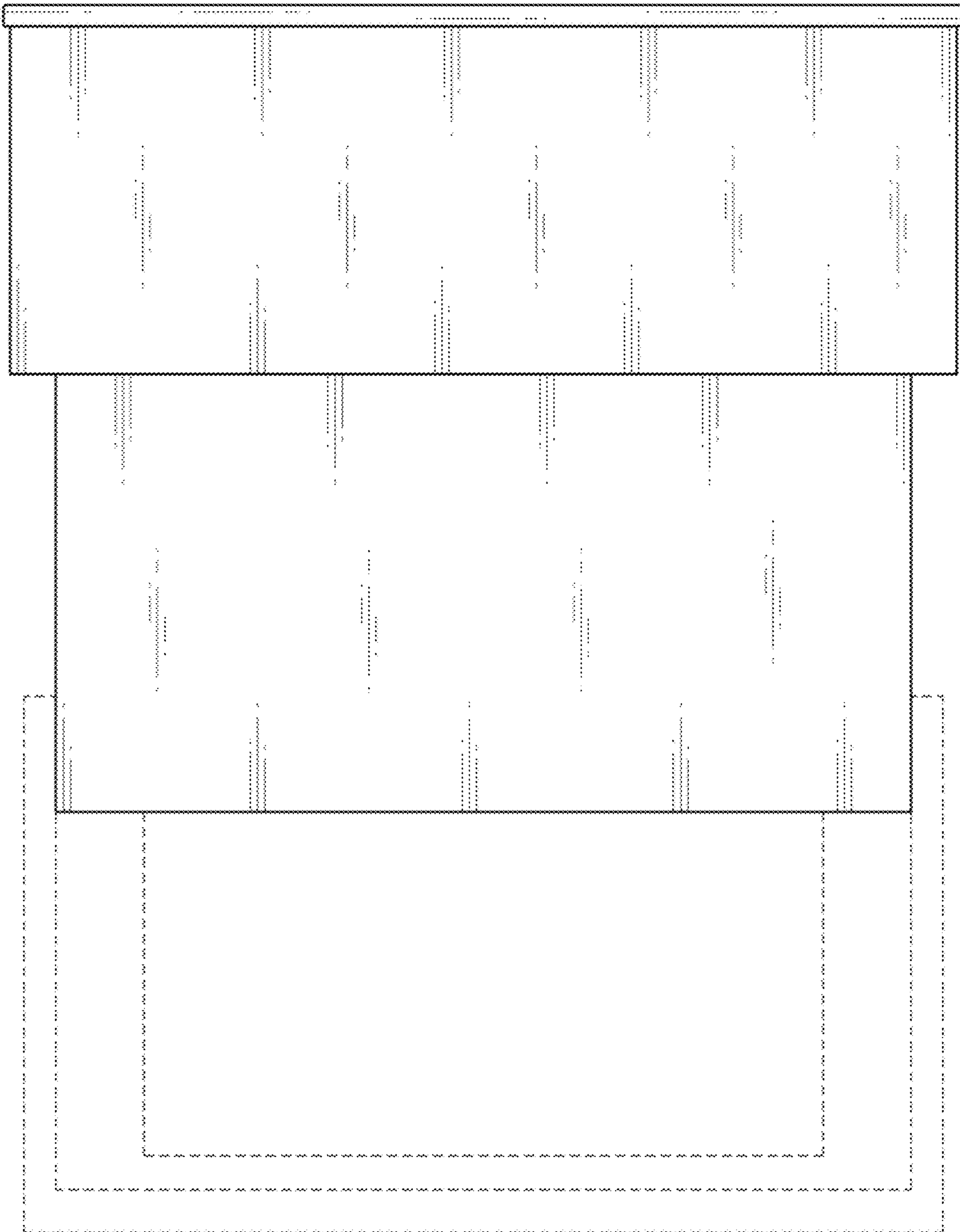




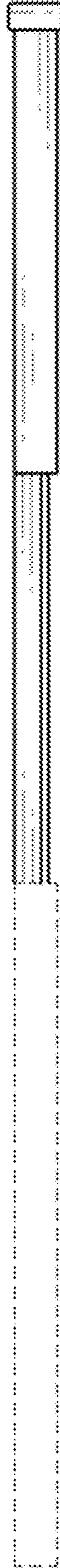
1.2



1.3



**1.4**



1.5



**1.6**

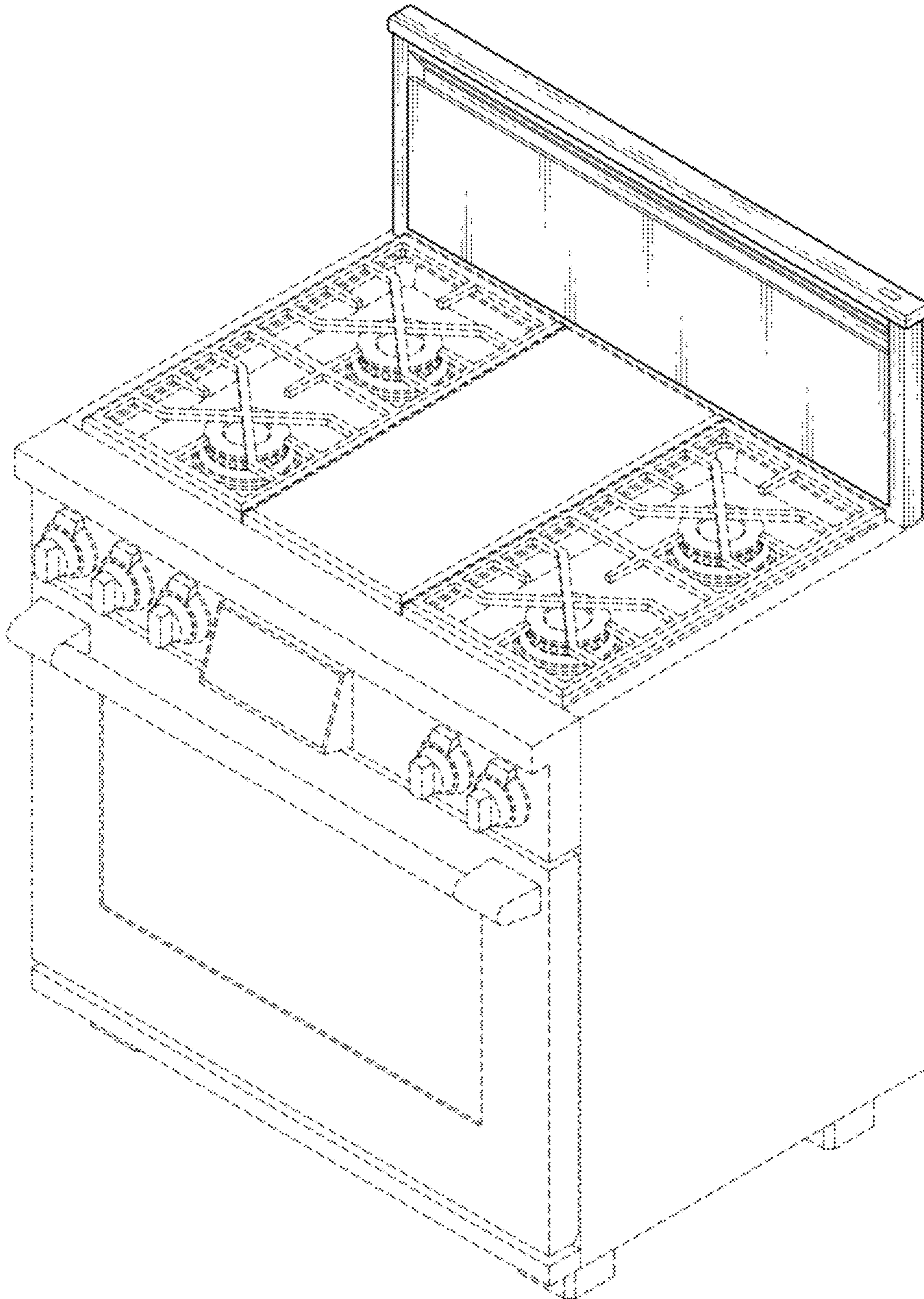




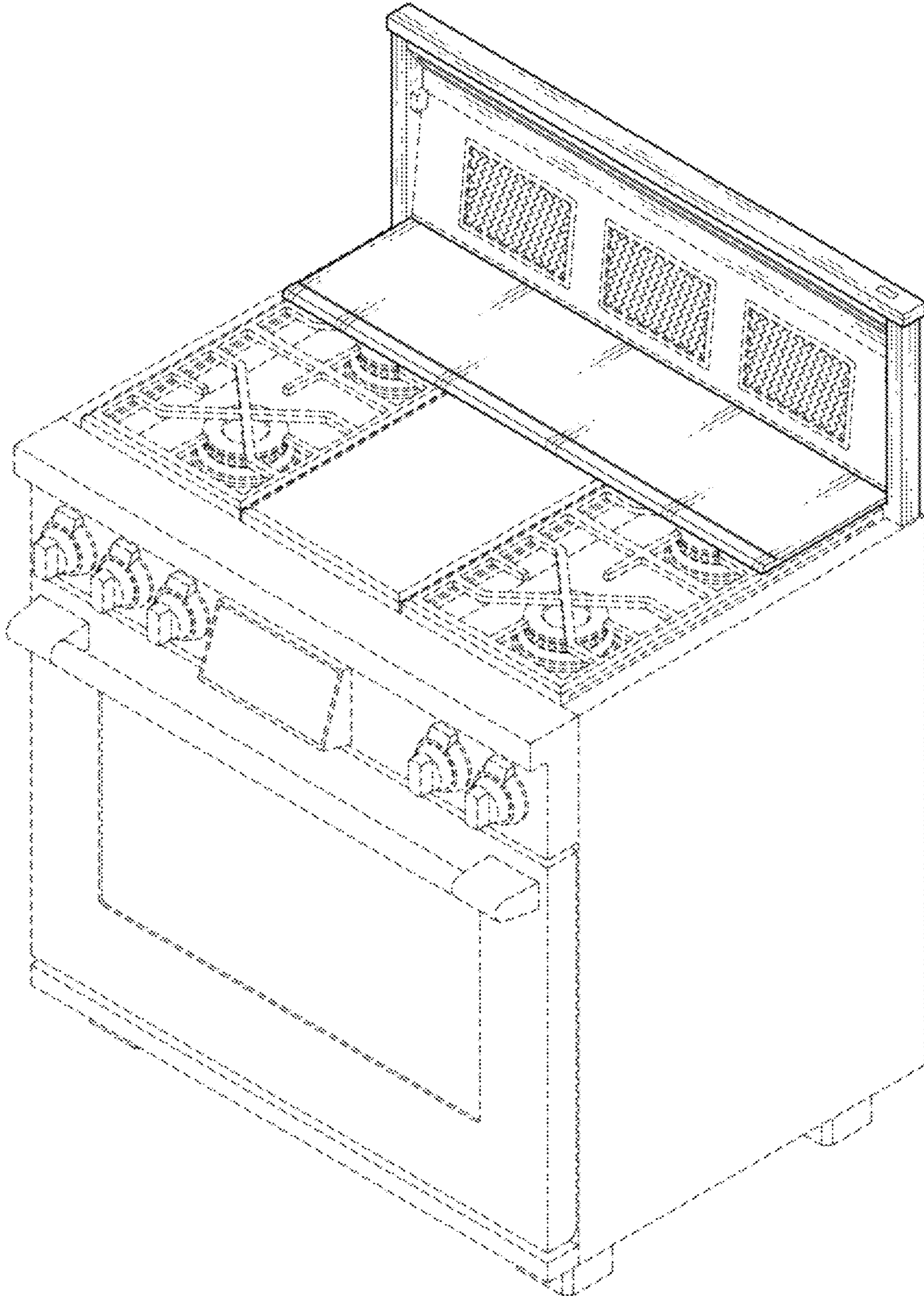
**1.7**



1.8

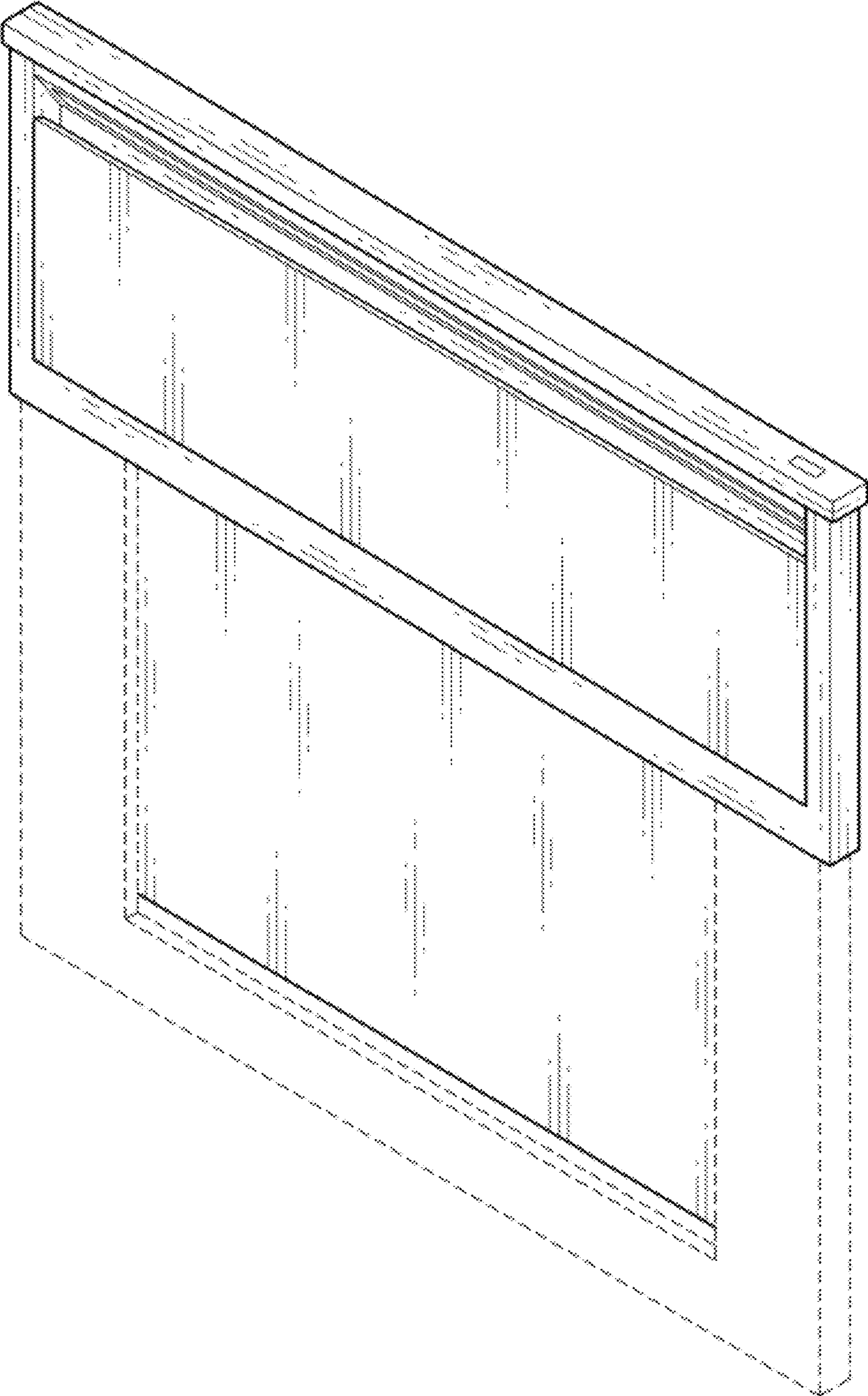


1.9

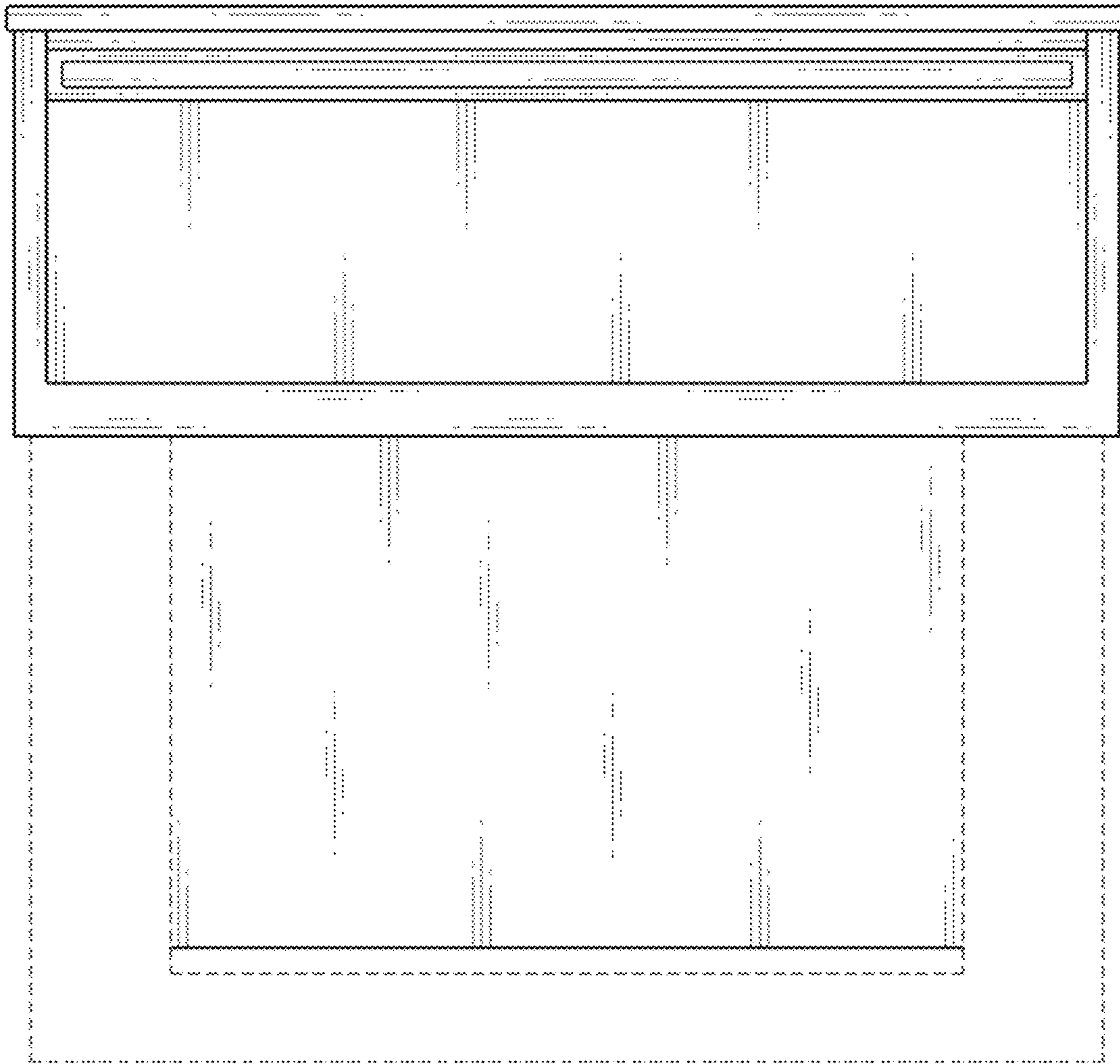




1.10

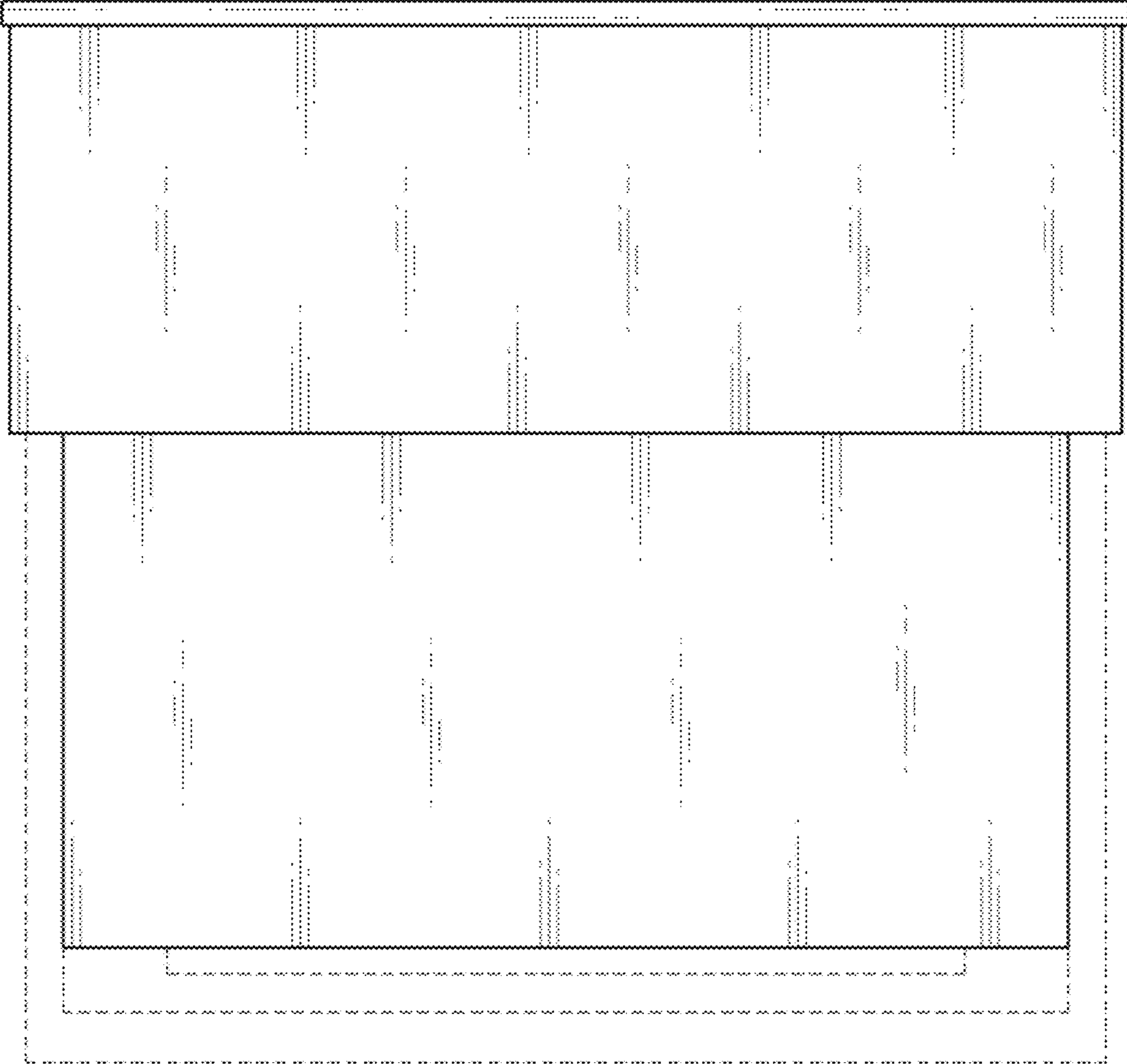


1.11

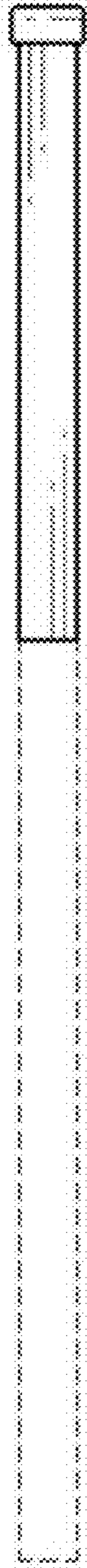




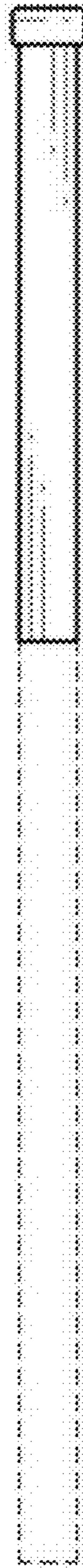
1.12



1.13



1.14



1.15



**1.16**





1.17

