



US00D817702S

(12) **United States Design Patent** (10) **Patent No.:** **US D817,702 S**
Thoendel (45) **Date of Patent:** **** May 15, 2018**

(54) **PORTABLE BEVERAGE DISPENSER WITH INTEGRATED CUP DISPENSER**

(71) Applicant: **Eric Thoendel**, Parker, CO (US)

(72) Inventor: **Eric Thoendel**, Parker, CO (US)

(**) Term: **15 Years**

(21) Appl. No.: **29/555,763**

(22) Filed: **Feb. 24, 2016**

Related U.S. Application Data

(63) Continuation of application No. 13/732,687, filed on Jan. 2, 2013, now abandoned.

(51) **LOC (11) Cl.** **07-99**

(52) **U.S. Cl.**
USPC **D7/396.2**

(58) **Field of Classification Search**
USPC D7/396.2, 391, 392.1, 323, 354-363, D7/397-398, 305, 308, 602, 605, 608, D7/409; D9/435, 443, 452, 454, 674
(Continued)

(56) **References Cited**

U.S. PATENT DOCUMENTS

2,543,746 A * 3/1951 Morrison A47F 1/085
221/307
3,165,234 A * 1/1965 Conklin A47F 1/085
206/217

(Continued)

FOREIGN PATENT DOCUMENTS

CN 201200234 Y * 3/2009
KR 2011102625 A * 9/2011

OTHER PUBLICATIONS

Igloo® Water Cooler with Cup Dispenser, posted at Acehardware.com, posted on Aug. 8, 2008, site visited Feb. 10, 2017, <<http://www.acehardware.com/product/index.jsp?productId=1402129>>.*

(Continued)

Primary Examiner — Barbara Fox

Assistant Examiner — Messina L Smith

(74) *Attorney, Agent, or Firm* — Suiter Swantz pc llo

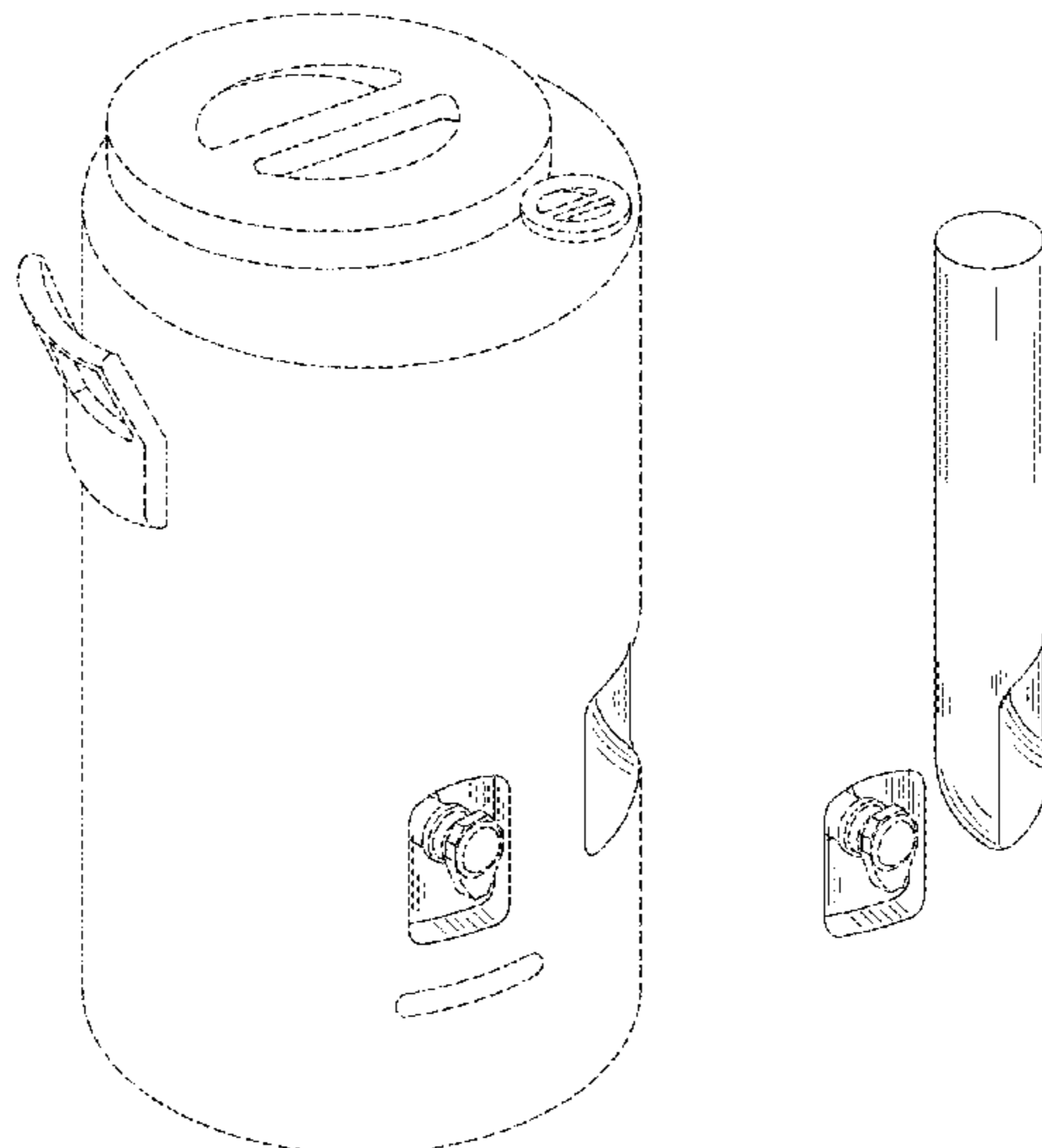
(57) **CLAIM**

The ornamental design for a portable beverage dispenser with integrated cup dispenser, as shown and described.

DESCRIPTION

FIG. 1 is a perspective view of a portable beverage dispenser with integrated cup dispenser, showing the new design; FIG. 2 is a perspective view of the portable beverage dispenser with integrated cup dispenser, shown with the portable beverage dispenser removed for ease of illustration; FIG. 3 is a top view thereof, shown with the portable beverage dispenser removed for ease of illustration; FIG. 4 is a front view thereof, shown with the portable beverage dispenser removed for ease of illustration; FIG. 5 is a side view thereof, shown with the portable beverage dispenser removed for ease of illustration; FIG. 6 is a rear view thereof, shown with the portable beverage dispenser removed for ease of illustration; FIG. 7 is a side view thereof, shown with the portable beverage dispenser removed for ease of illustration; FIG. 8 is a bottom view thereof, shown with the portable beverage dispenser removed for ease of illustration; and, FIG. 9 is a side view thereof, shown with the portable beverage dispenser removed for ease of illustration. The broken lines in the drawings illustrate portions of the beverage dispenser with integrated cup dispenser that form no part of the claimed design.

1 Claim, 9 Drawing Sheets



(58) **Field of Classification Search**

CPC F25D 23/126; F25D 23/00; F25D 23/02;
 F25D 23/06; F25D 23/08; F25D 2331/80;
 F25D 2303/08; F25D 2303/0802; A47J
 47/01; A47J 31/005; A47J 31/4403; B67D
 3/00; B67D 3/0009; B67D 3/0025; B67D
 3/0029; B67D 1/08; B67D 1/0801; B67D
 1/0857; B67D 1/0004; B65D 83/14;
 B65D 83/38

See application file for complete search history.

D514,891 S * 2/2006 Garcia D7/605
 7,900,798 B1 * 3/2011 Allen A46B 17/02
 221/1
 D778,096 S * 2/2017 Broen D7/305
 2005/0269361 A1 * 12/2005 Prabucki B67D 3/0029
 222/146.6
 2008/0284291 A1 * 11/2008 Stamatis Filho A47F 1/085
 312/43
 2009/0057334 A1 * 3/2009 Pearl A47F 1/085
 221/307
 2013/0068790 A1 * 3/2013 Patthey A61J 7/0076
 222/95

(56) **References Cited**

U.S. PATENT DOCUMENTS

3,331,533 A * 7/1967 Krugger A47F 1/085
 221/310
 D254,109 S * 2/1980 Price D6/527
 4,890,203 A * 12/1989 Watson F21L 7/00
 200/273
 5,529,220 A * 6/1996 Credle, Jr. B67D 1/04
 221/96
 D374,369 S * 10/1996 Wilkinson D7/305
 5,609,097 A * 3/1997 Newnan A23N 12/083
 34/233
 D396,780 S * 8/1998 Villarreal, Jr. D7/608
 D423,862 S * 5/2000 Mravlja, Jr. D7/305
 D459,636 S * 7/2002 Krieger D7/605
 6,786,359 B1 * 9/2004 Schroeder B65B 43/44
 221/222

OTHER PUBLICATIONS

Gravtiy Feed Cup Dispensers, posted at Globalindustrial.com, no posting date given, © 2017, site visited Feb. 10, 2017, <<http://www.globalindustrial.com/g/foodservice/dispensers-organizers/cup-lid-condiment-dispensers/cup-dispensers>>.*
 San Jamar C3165 Medium Pull Type Water Cup Dispenser, posted at Amazon.com, posted on Apr. 18, 2006, site visited Feb. 10, 2017, <<https://www.amazon.com/Adjustable-Frosted-Water-Dispenser-Mounted/dp/B01A0HG8TM>>.*
 4 oz. Water Cooler Cone Cups, posted at Homedepot.com, posted on Jan. 8, 2013, site visited Feb. 10, 2017, <<http://www.homedepot.com/p/Rubbermaid-4-oz-Water-Cooler-Cone-Cups-200-Count-FG163406BLWHT/100334143>>.*

* cited by examiner

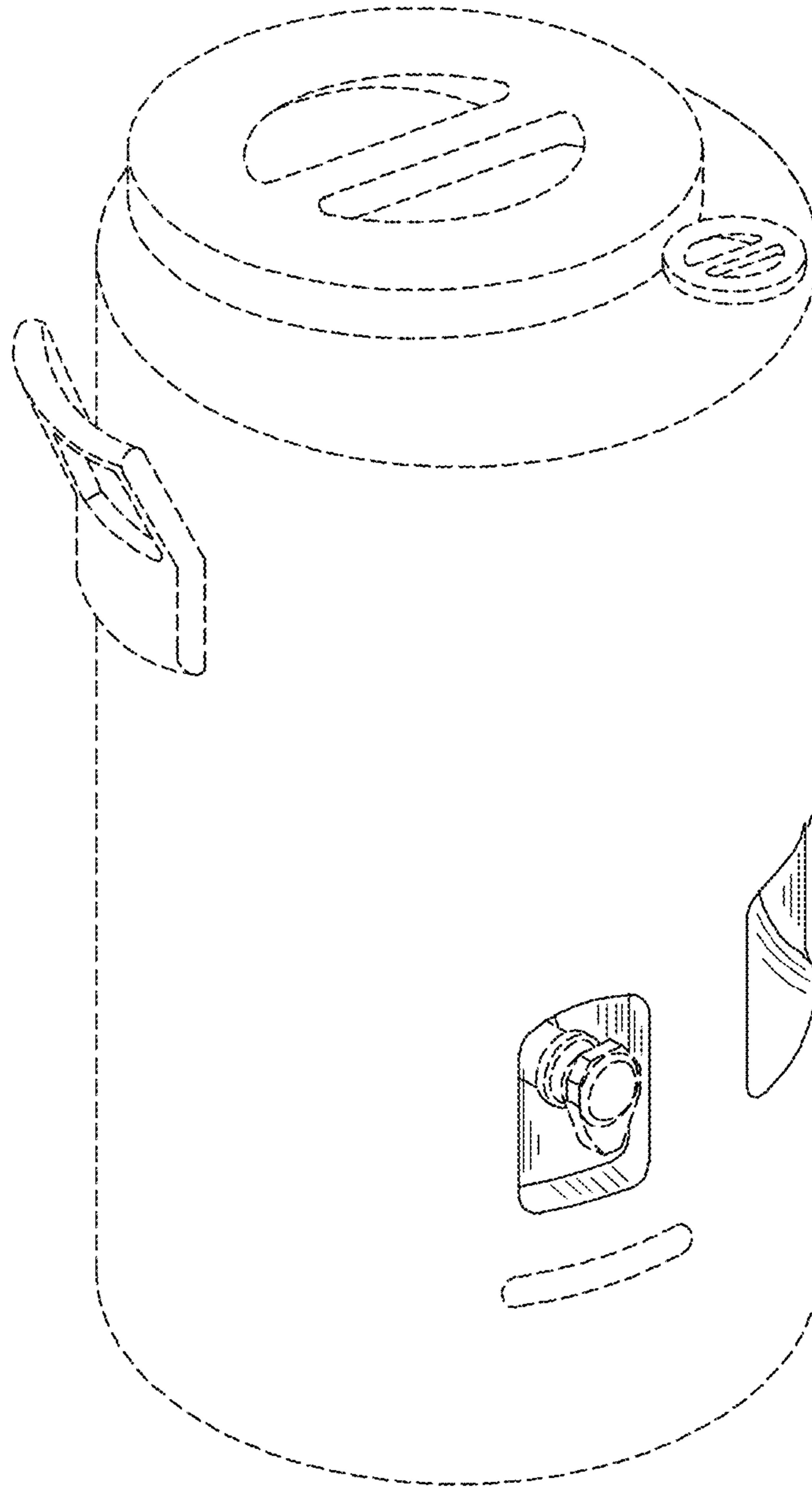


FIG. 1

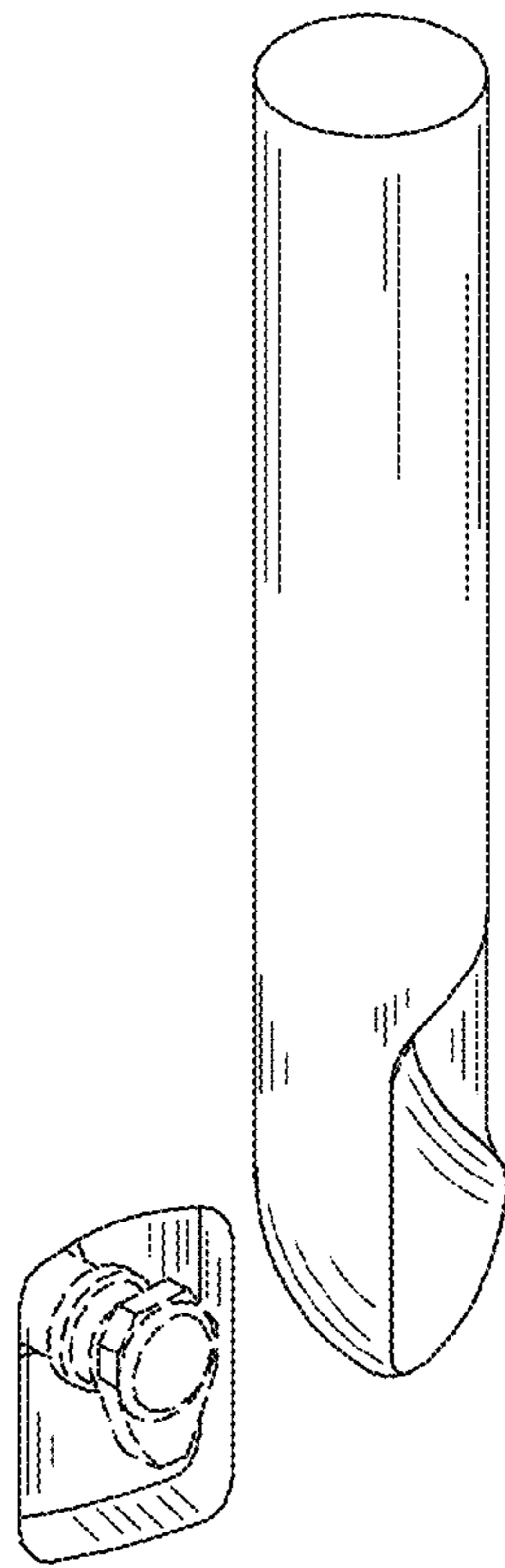


FIG. 2

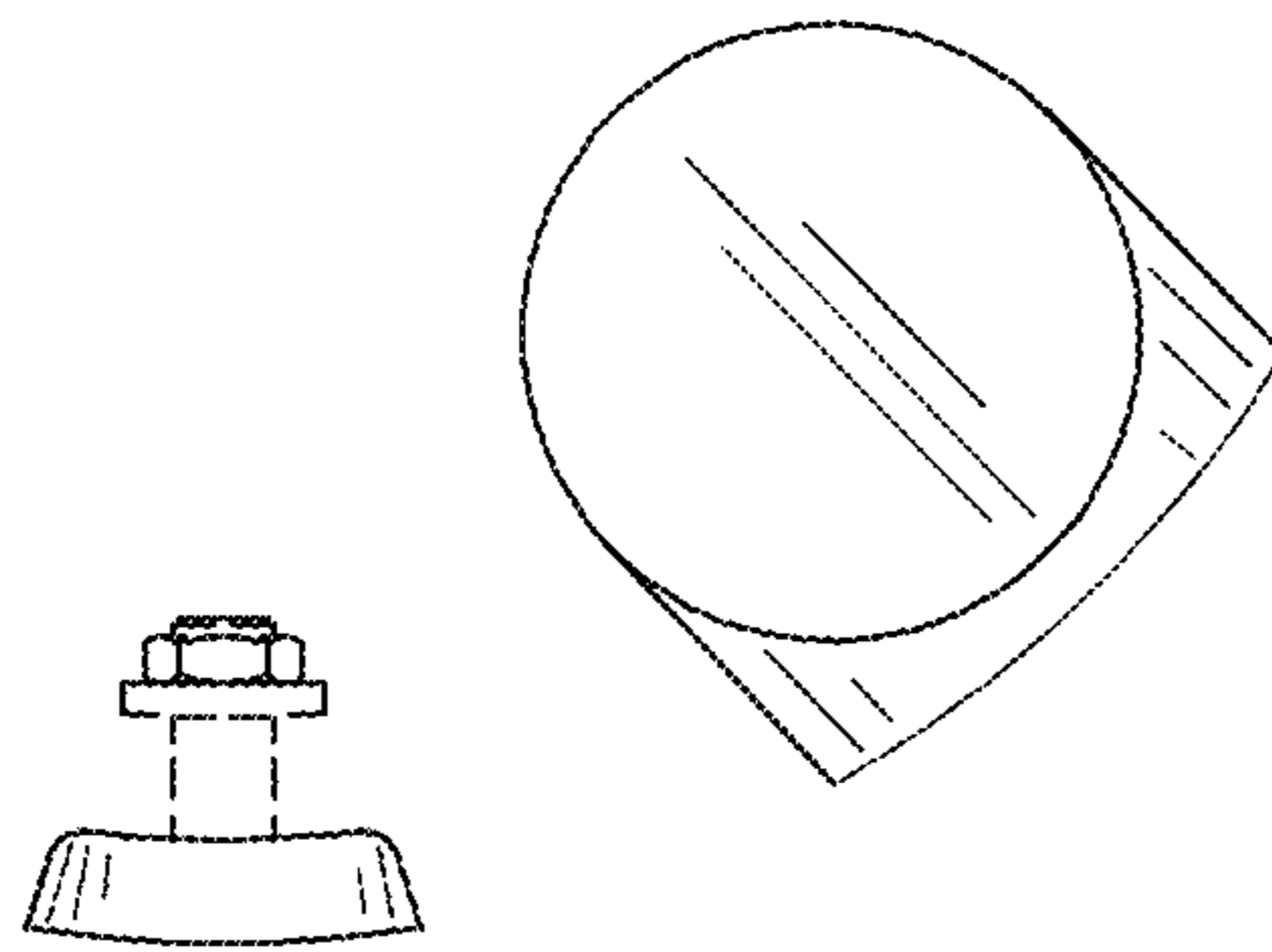


FIG. 3

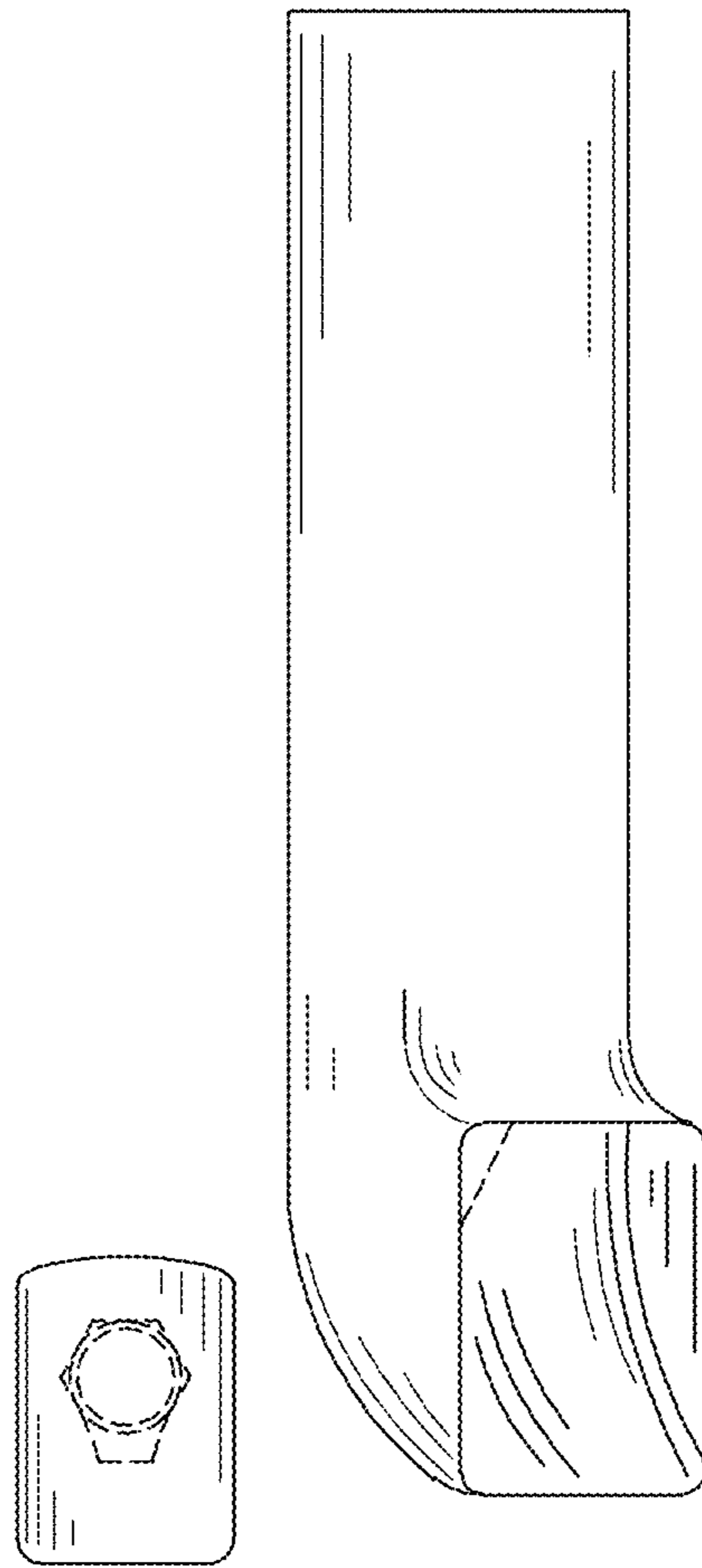


FIG. 4

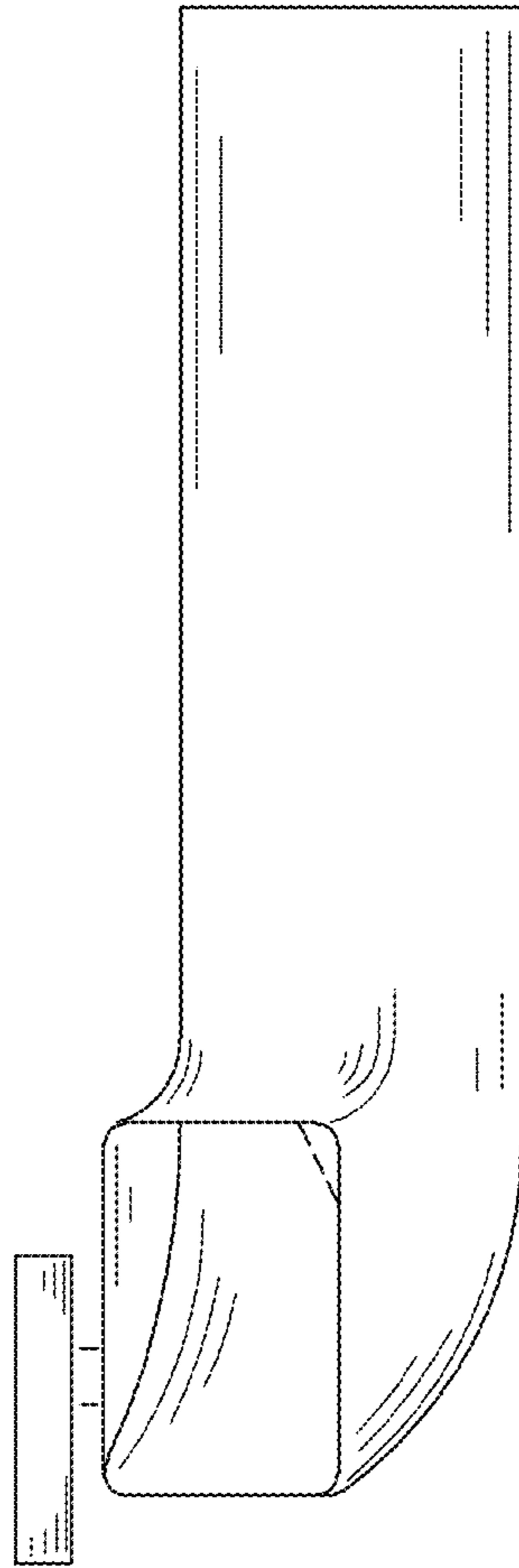


FIG. 5

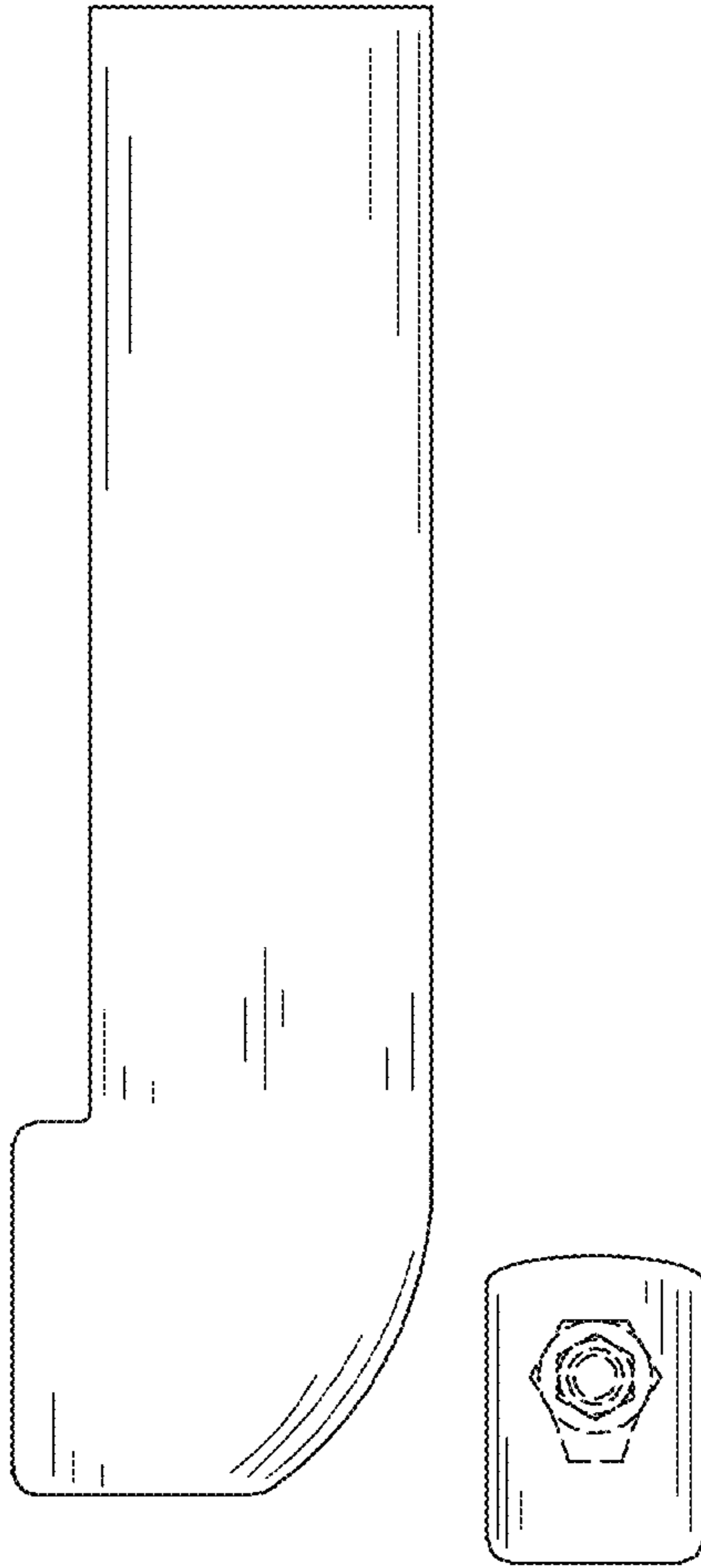


FIG. 6

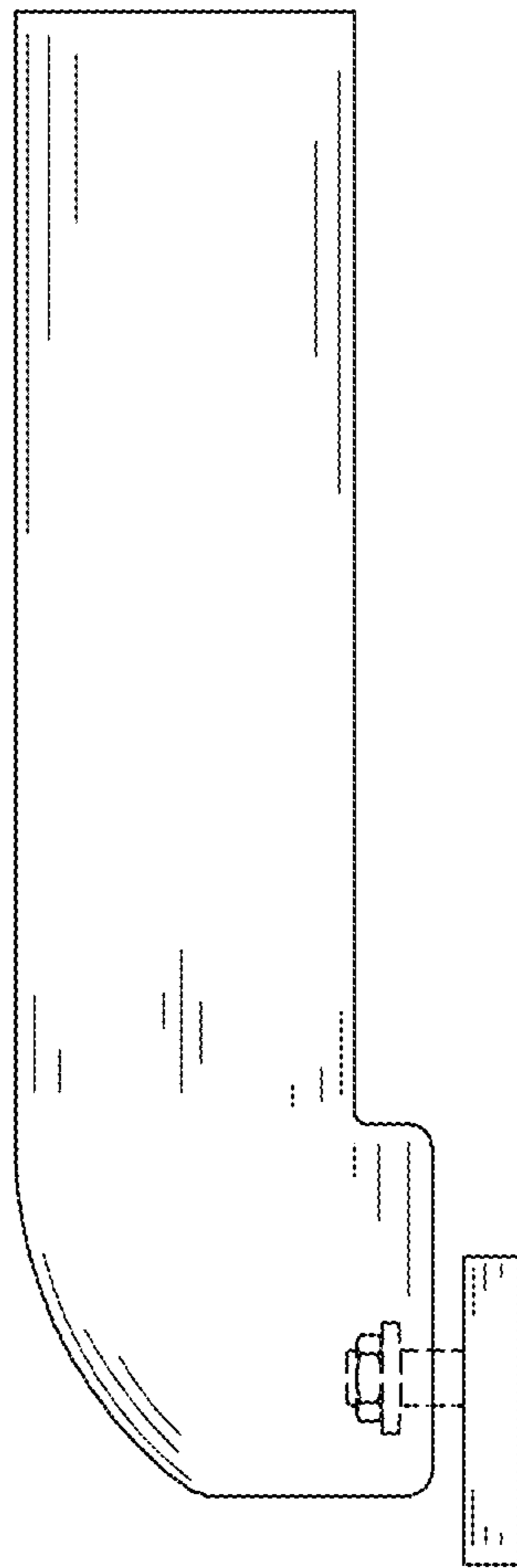


FIG. 7

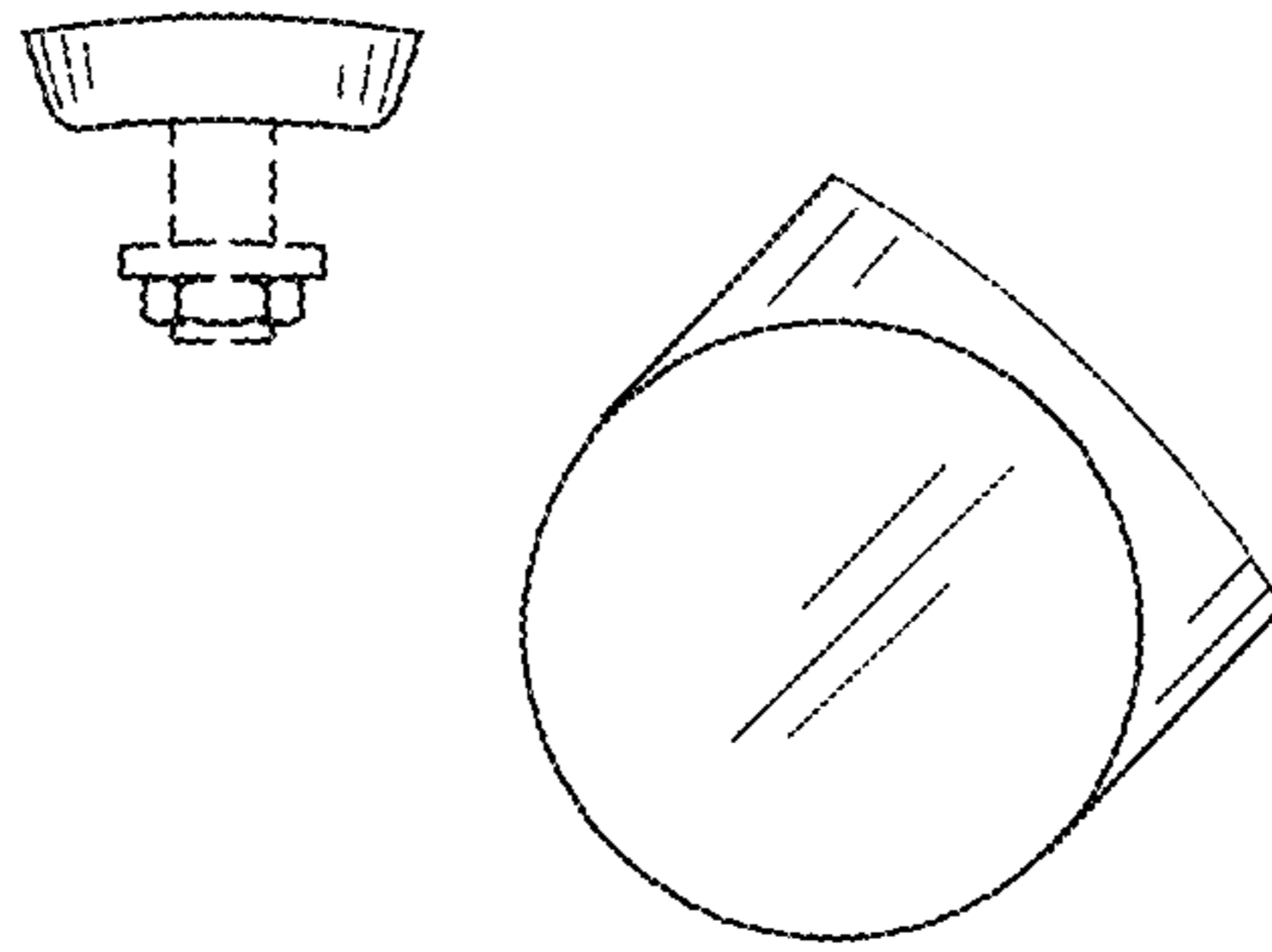


FIG. 8

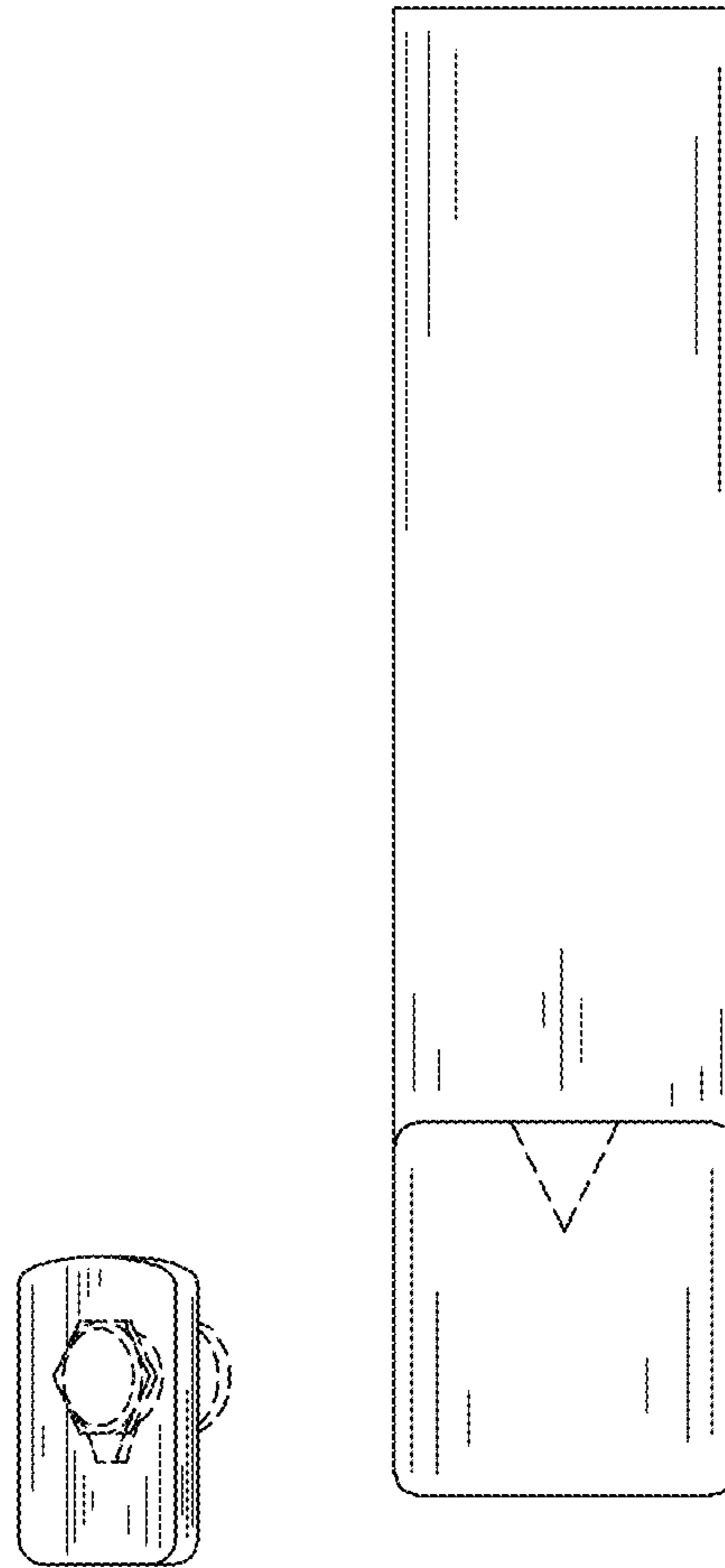


FIG. 9