



US00D817701S

(12) **United States Design Patent** (10) **Patent No.:** **US D817,701 S**
Ho (45) **Date of Patent:** **** May 15, 2018**

(54) **CONTAINER LID**
(71) Applicant: **Shin Hung Yih Technology Co., Ltd.**,
Taipei (TW)
(72) Inventor: **Yi-Hung Ho**, Taipei (TW)
(73) Assignee: **SHIN HUNG YIH TECHNOLOGY**
CO., LTD., Taipei (TW)
(**) Term: **15 Years**
(21) Appl. No.: **29/594,315**
(22) Filed: **Feb. 17, 2017**
(51) **LOC (11) Cl.** **07-99**
(52) **U.S. Cl.**
USPC **D7/391**
(58) **Field of Classification Search**
USPC D7/391, 412, 413; D3/273, 276, 280,
D3/282, 283, 284; D9/516, 558
CPC .. A47J 36/06; A47J 47/14; B65D 1/22; B65D
1/34; B65D 1/40; B65D 1/165; B65D
15/02; B65D 1/00; B65D 1/26
See application file for complete search history.

(56) **References Cited**
U.S. PATENT DOCUMENTS
D204,407 S * 4/1966 Imhoff D7/391
D282,044 S * 1/1986 McClelland D7/391
D327,349 S * 6/1992 Juergens D34/10
5,617,968 A * 4/1997 Luburic B65D 43/0256
220/266
D435,192 S * 12/2000 Bohannon, Jr. D7/413
D445,641 S * 7/2001 Conti D7/392.1
D446,117 S * 8/2001 Conti D7/392.1
D447,908 S * 9/2001 Beck D7/391
D448,606 S * 10/2001 Conti D7/392.1
D448,969 S * 10/2001 Conti D7/392.1
D464,847 S * 10/2002 Klock D7/391
D466,364 S * 12/2002 Demore D7/391
D517,861 S * 3/2006 Kim D7/392.1

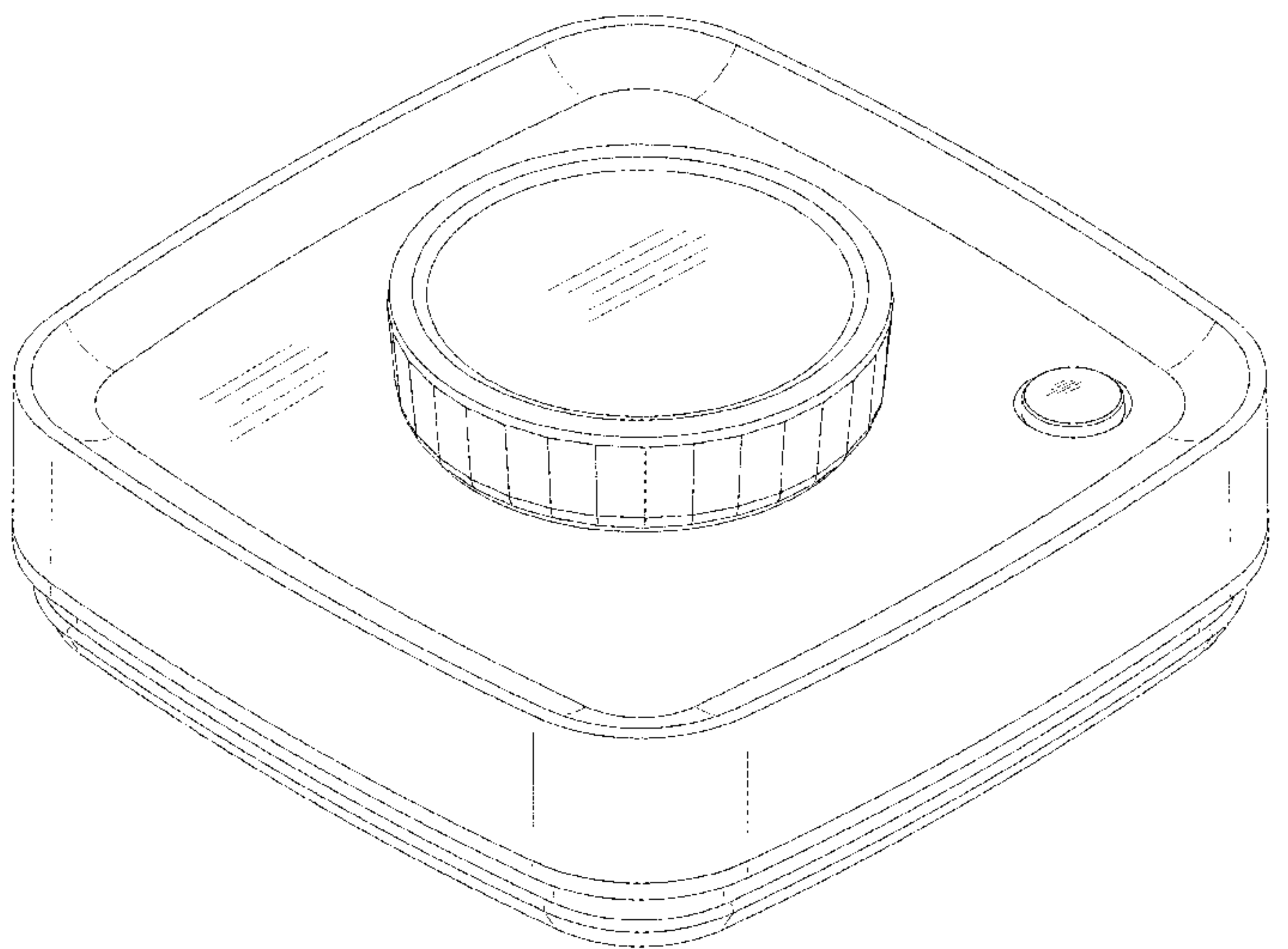
D526,158 S * 8/2006 Laib D7/392.1
D533,020 S * 12/2006 Kassenaar D7/378
D540,669 S * 4/2007 George D7/392.1
D655,158 S * 3/2012 Drozek D9/435
D678,726 S * 3/2013 Palermo D7/376
D679,046 S * 3/2013 Hoshino D26/120
D709,326 S * 7/2014 Thai D7/378
D716,012 S * 10/2014 Jackson D32/54
D750,423 S * 3/2016 Shirley D7/391
D754,836 S * 4/2016 Park D23/385
D755,578 S * 5/2016 Wu D7/629
D759,424 S * 6/2016 Ou D7/376
D773,931 S * 12/2016 Liu D9/449
D784,761 S * 4/2017 Tu D7/376
D798,101 S * 9/2017 Rose D7/376
D798,104 S * 9/2017 Stumph D7/378
D801,110 S * 10/2017 Sarnoff D7/391
2018/0009589 A1 * 1/2018 Ho B65D 81/2038
2018/0016065 A1 * 1/2018 Ho B65D 45/32

* cited by examiner
Primary Examiner — Caron D Veynar
Assistant Examiner — Katrina N Gonzalez
(74) *Attorney, Agent, or Firm* — Jackson IPG PLLC;
Demian K. Jackson

(57) **CLAIM**
The ornamental design for container lid, as shown and described.

DESCRIPTION
FIG. 1 is a perspective view of a container lid showing my new design;
FIG. 2 is a front elevational view thereof;
FIG. 3 is a rear elevational view thereof;
FIG. 4 is a left side elevational view thereof;
FIG. 5 is a right side elevational view thereof; and
FIG. 6 is a top plan view thereof;
FIG. 7 is a bottom plan view thereof; and,
FIG. 8 is another perspective view from bottom side.

1 Claim, 8 Drawing Sheets



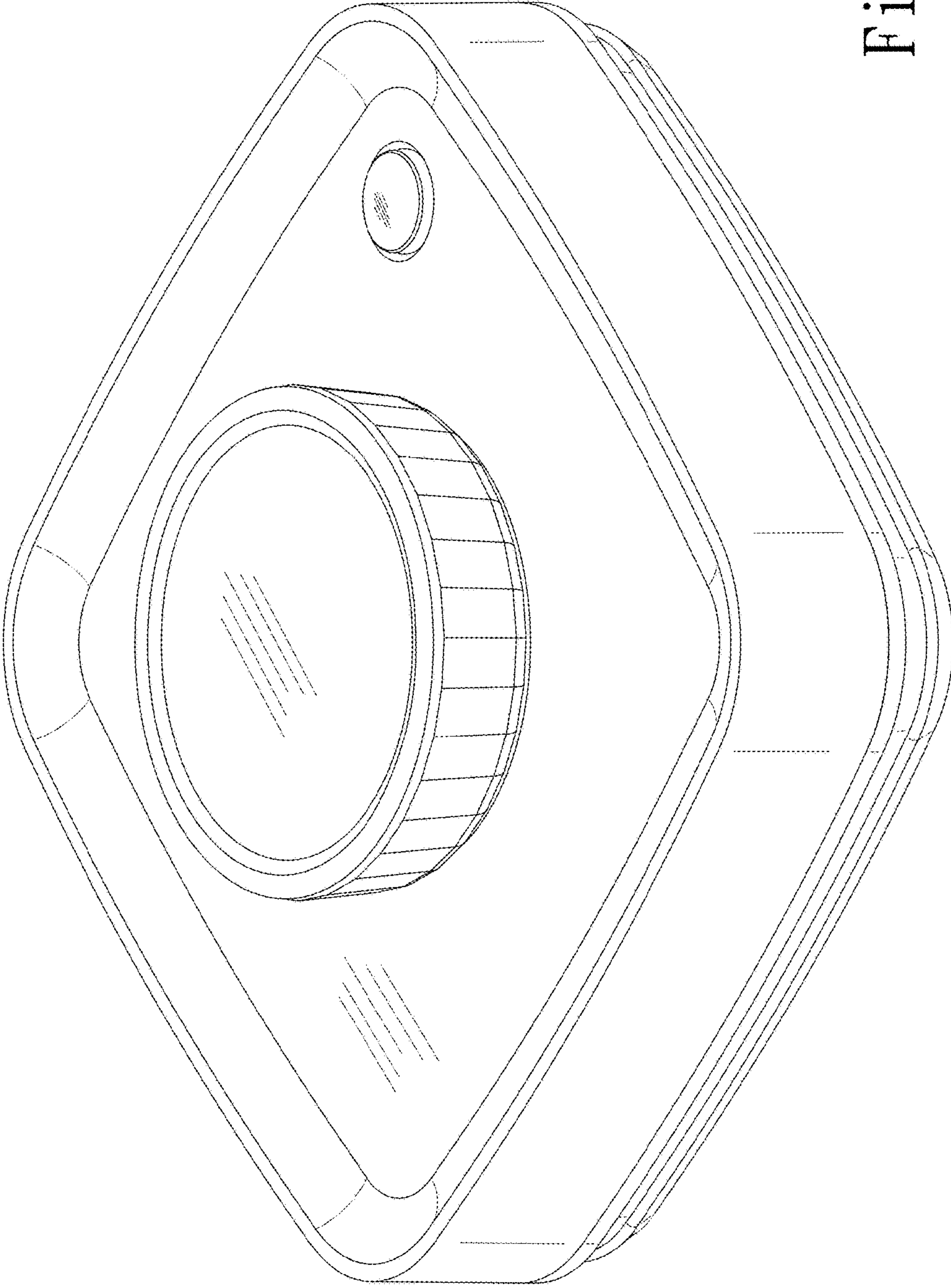


Fig. 1

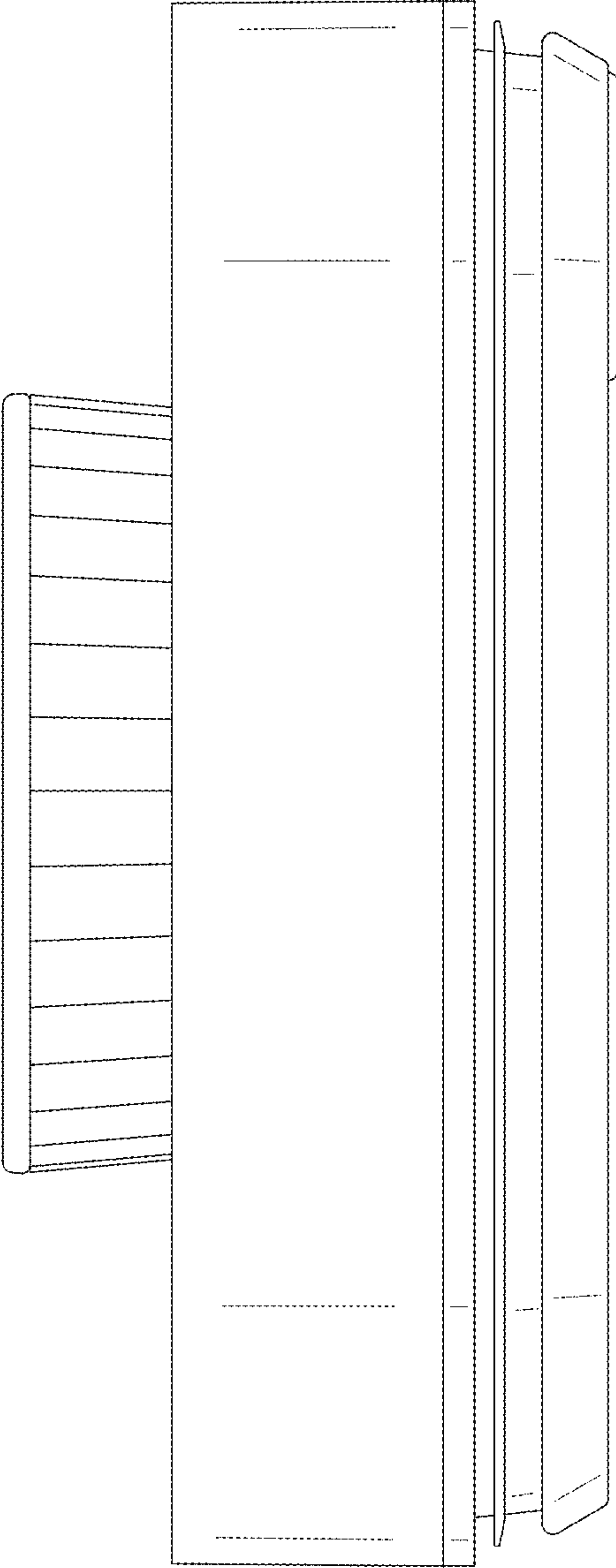


Fig. 2

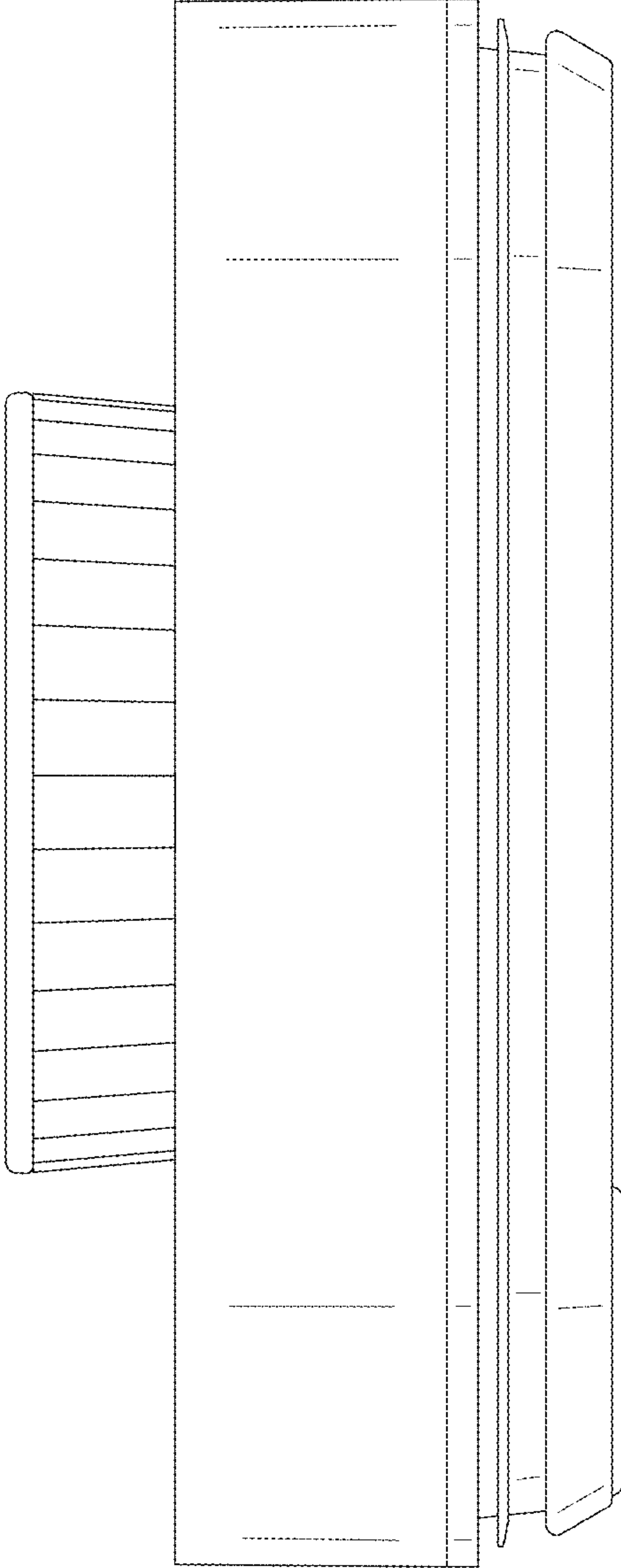


Fig. 3

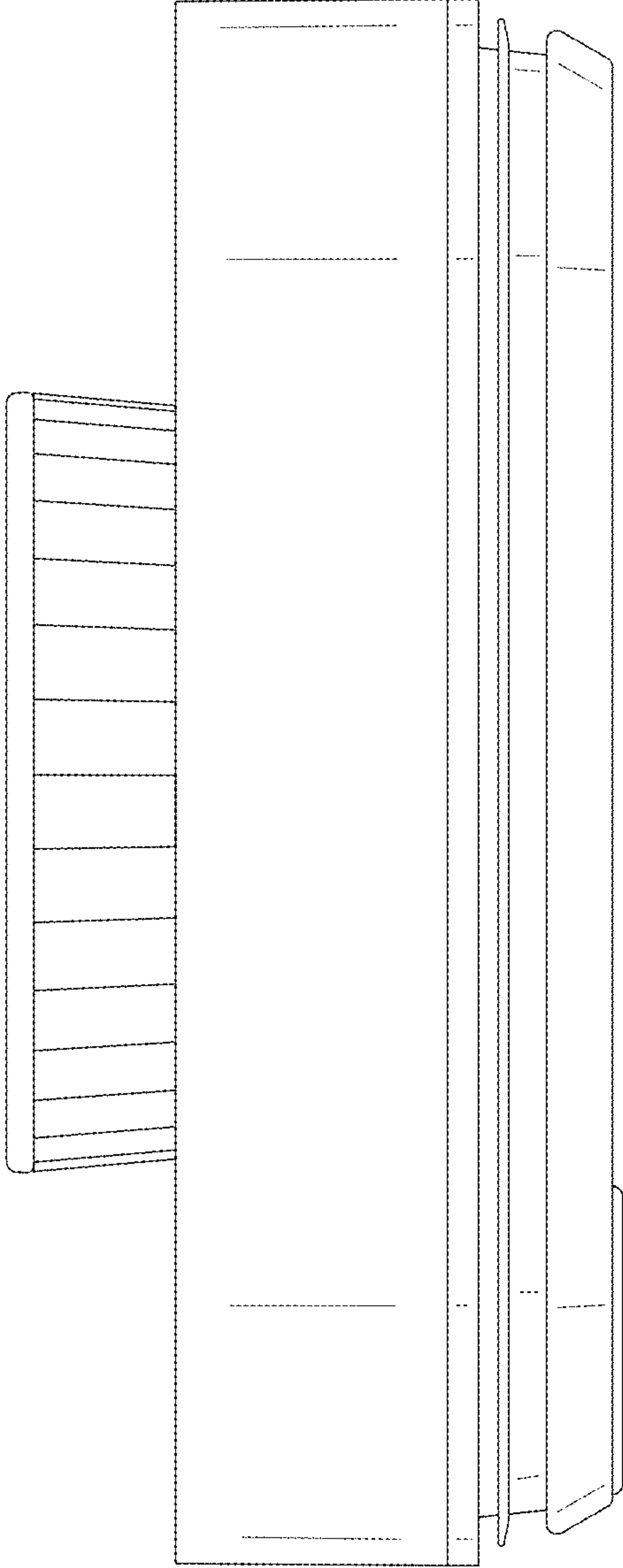


Fig. 4

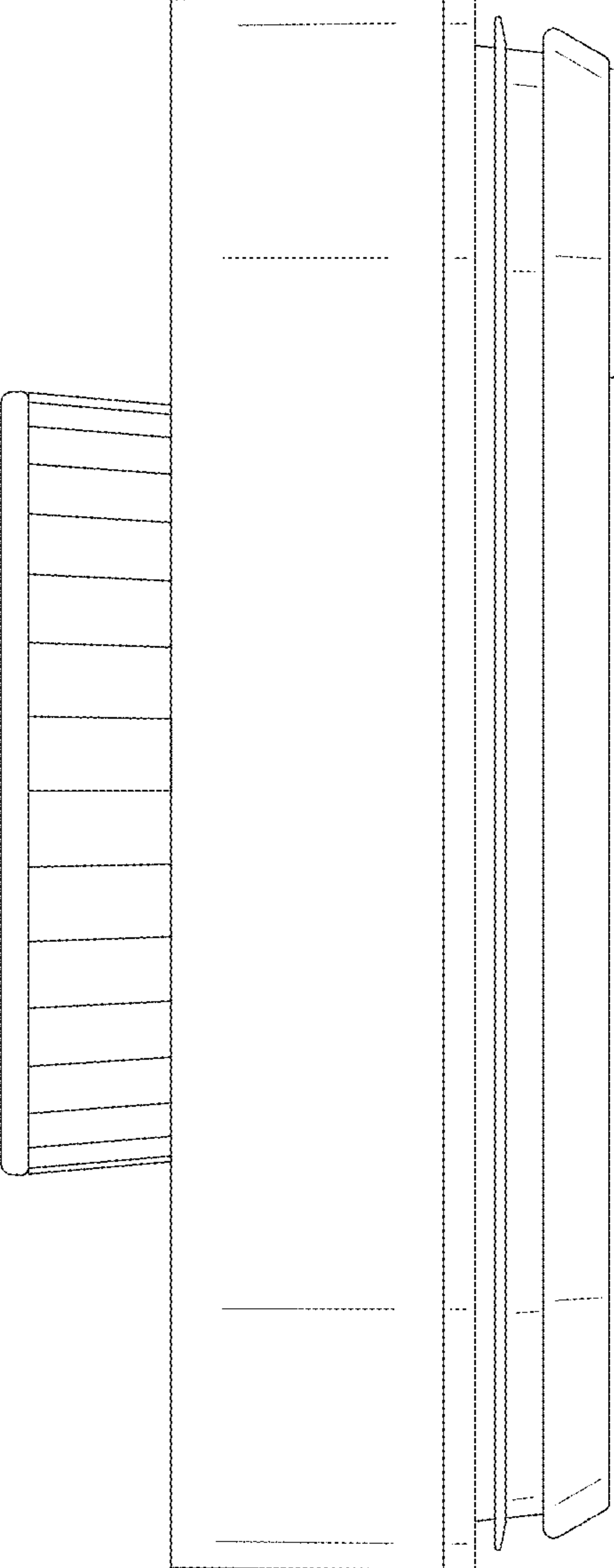


Fig. 5

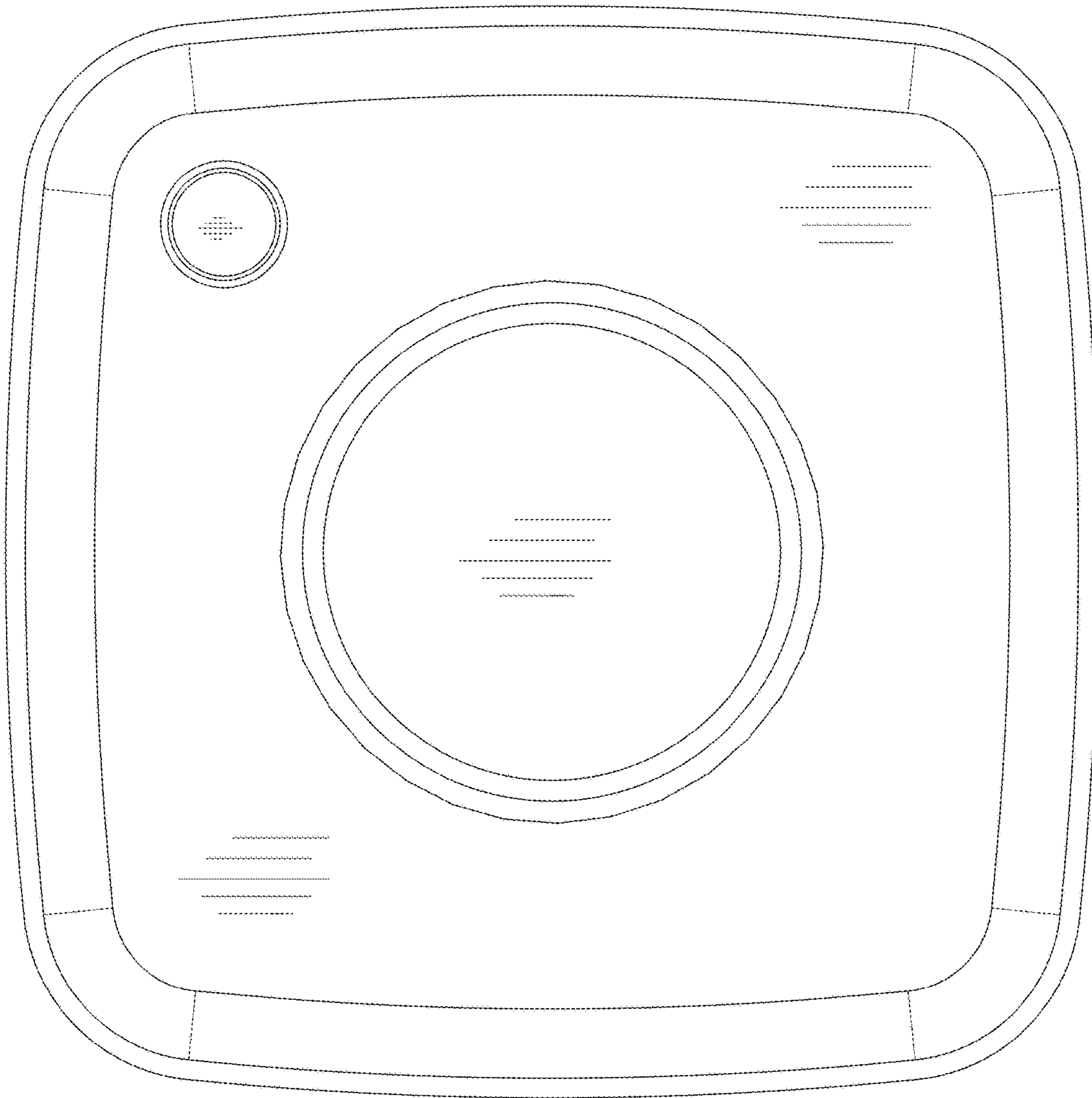


Fig. 6

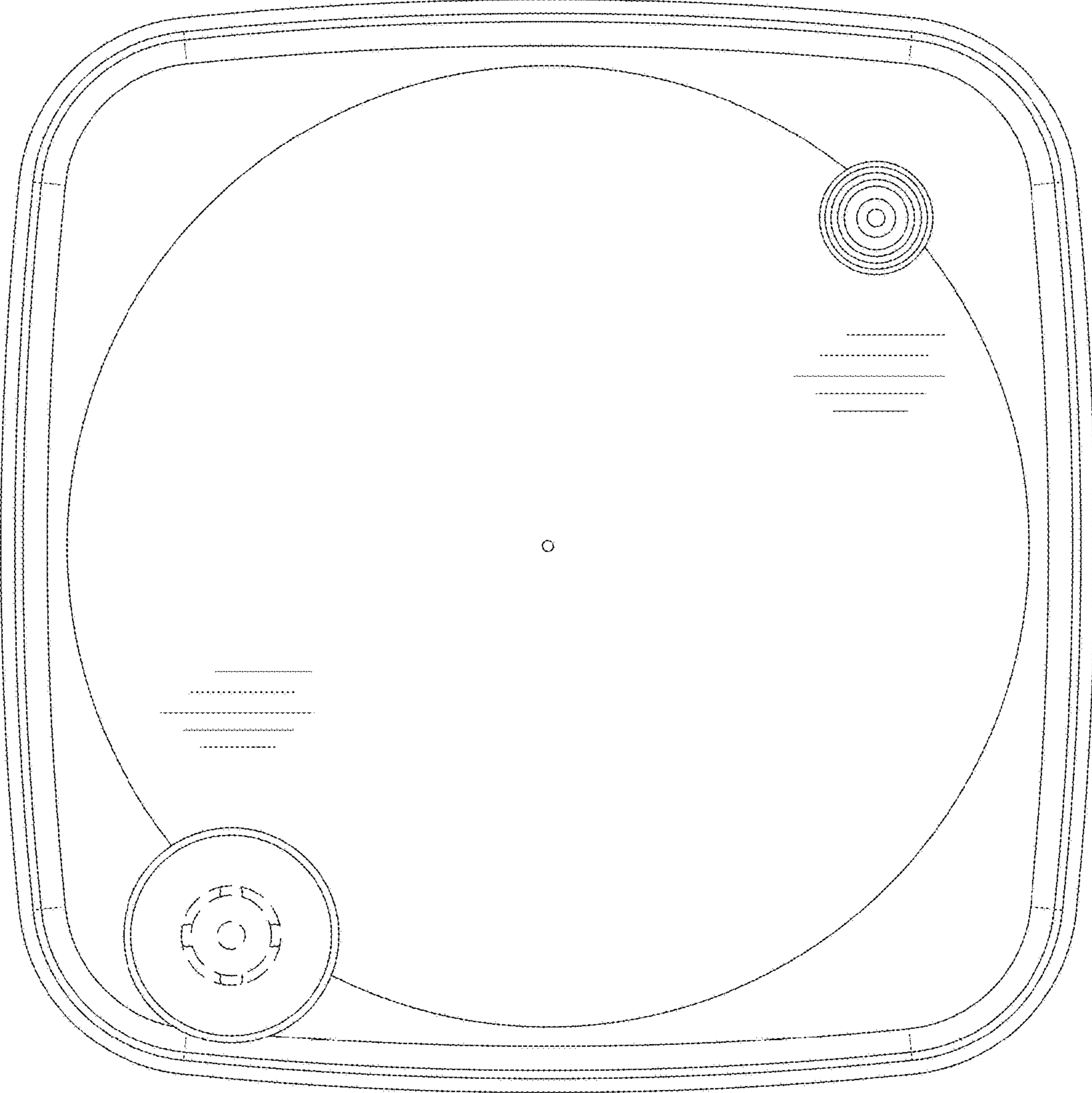


Fig. 7

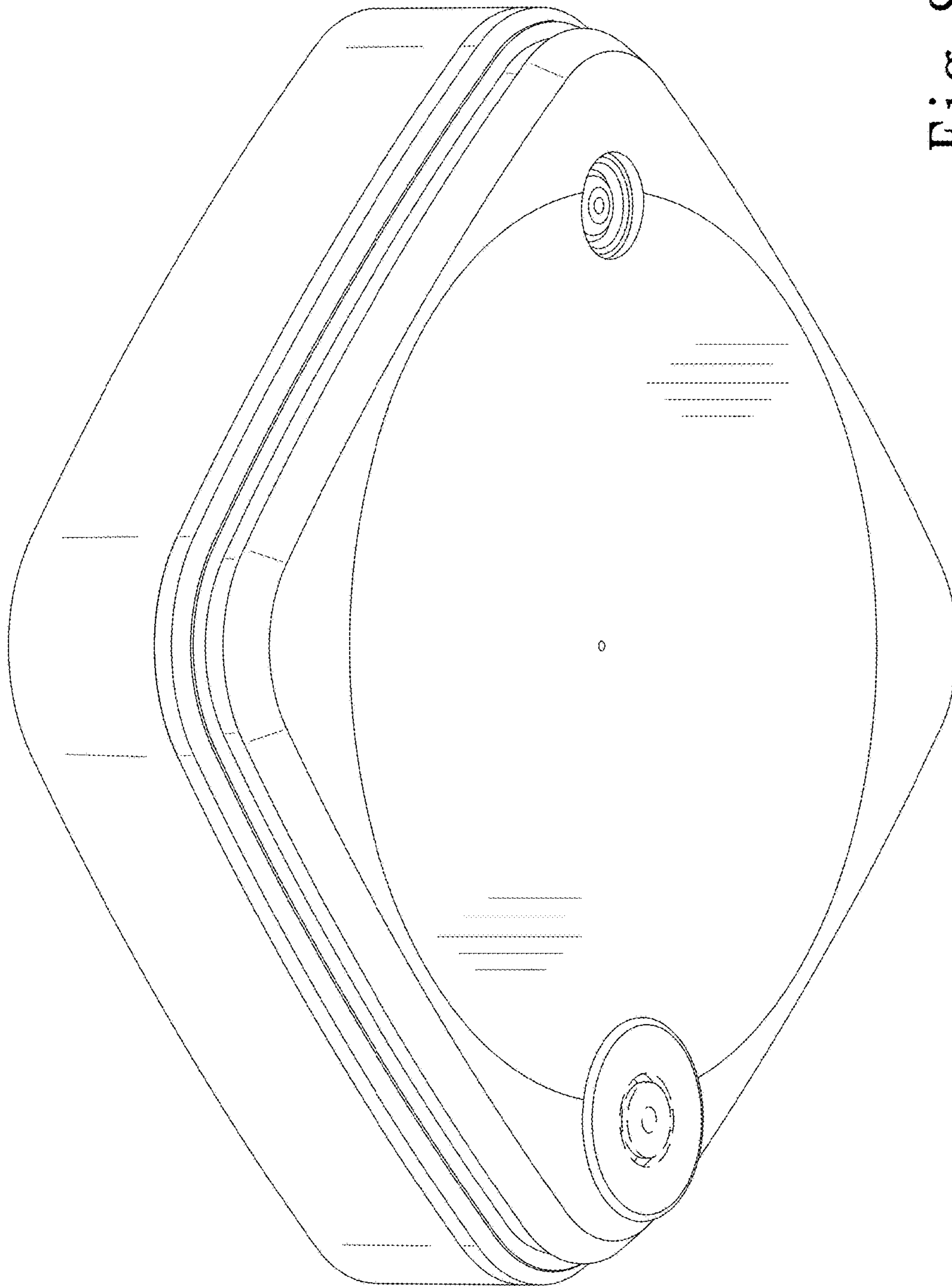


Fig. 8