



US00D817700S

(12) **United States Design Patent**
Lee et al.

(10) **Patent No.:** **US D817,700 S**
(45) **Date of Patent:** **** May 15, 2018**

- (54) **INDUCTION HEATING RANGE**
- (71) Applicant: **LG ELECTRONICS INC., Seoul (KR)**
- (72) Inventors: **Hophil Lee, Seoul (KR); Hyunjin Yoon, Seoul (KR); Euseok Lee, Seoul (KR)**
- (73) Assignee: **LG ELECTRONICS INC., Seoul (KR)**
- (**) Term: **15 Years**
- (21) Appl. No.: **35/501,549**
- (22) Filed: **Mar. 10, 2016**

D248,207 S *	6/1978	Madl	D7/359
D252,493 S *	7/1979	Barradas	D7/356
D256,761 S *	9/1980	Martin	D7/354
D257,938 S *	1/1981	Danley	D7/402
4,352,324 A *	10/1982	Noh	A47J 37/10 99/425
D273,168 S *	3/1984	Bowen	D7/354
D292,164 S *	10/1987	Oh	D7/354
D297,297 S *	8/1988	Lacey	D7/354
4,768,427 A *	9/1988	Cheng	A47J 36/02 126/390.1
D334,108 S *	3/1993	Fisher	D7/323
D336,009 S *	6/1993	Tringali	D7/367
D378,179 S *	2/1997	Gebhardt	D7/363
D587,062 S *	2/2009	Ek	D7/354
D600,497 S *	9/2009	Ek	D7/361
D628,848 S *	12/2010	Junkins	D7/354
D635,392 S *	4/2011	Shantha	D7/354
D635,394 S *	4/2011	Brattoli	D7/367
D648,979 S *	11/2011	Schroeder	D7/354

(Continued)

- (80) **Hague Agreement Data**
- Int. Filing Date: **Mar. 10, 2016**
- Int. Reg. No.: **DM/089983**
- Int. Reg. Date: **Mar. 10, 2016**
- Int. Reg. Pub. Date: **Sep. 16, 2016**

Primary Examiner — Sheryl Lane
Assistant Examiner — Nicole C Shiflet
 (74) *Attorney, Agent, or Firm* — Birch, Stewart, Kolasch & Birch, LLP

- (30) **Foreign Application Priority Data**
- Sep. 17, 2015 (KR) 30-2015-0047275
- (51) **LOC (11) Cl.** **07-02**
- (52) **U.S. Cl.**
- USPC **D7/362**
- (58) **Field of Classification Search**
- USPC D7/323, 327, 339, 346, 347, 350.3, 354,
D7/359-363, 367, 402
- CPC H05B 6/062; H05B 6/065; H05B 1/0266;
F24C 15/103; A47J 37/10
- See application file for complete search history.

(57) **CLAIM**

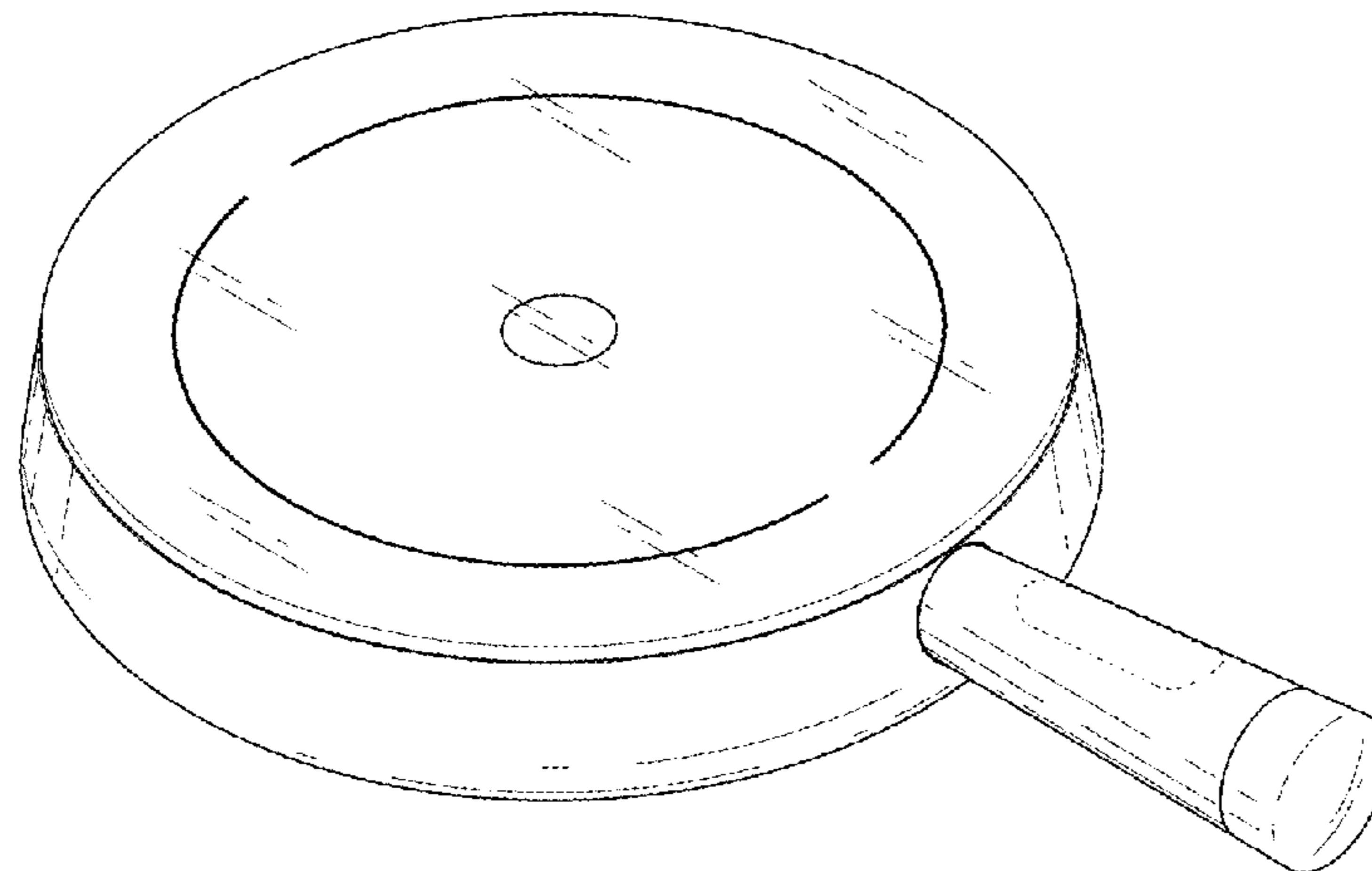
The ornamental design for an induction heating range, as shown and described.

DESCRIPTION

- 1. Induction heating range
 - 1.1 : Perspective
 - 1.2 : Front
 - 1.3 : Back
 - 1.4 : Left
 - 1.5 : Right
 - 1.6 : Top
 - 1.7 : Bottom
 - 1.8 : Perspective with handle removed
- The broken lines showing portions of the induction heating range form no part of the claimed design.

- (56) **References Cited**
- U.S. PATENT DOCUMENTS
- D172,840 S * 8/1954 Olswang D7/361
- D246,025 S * 10/1977 Gooden D7/359

1 Claim, 6 Drawing Sheets



(56)

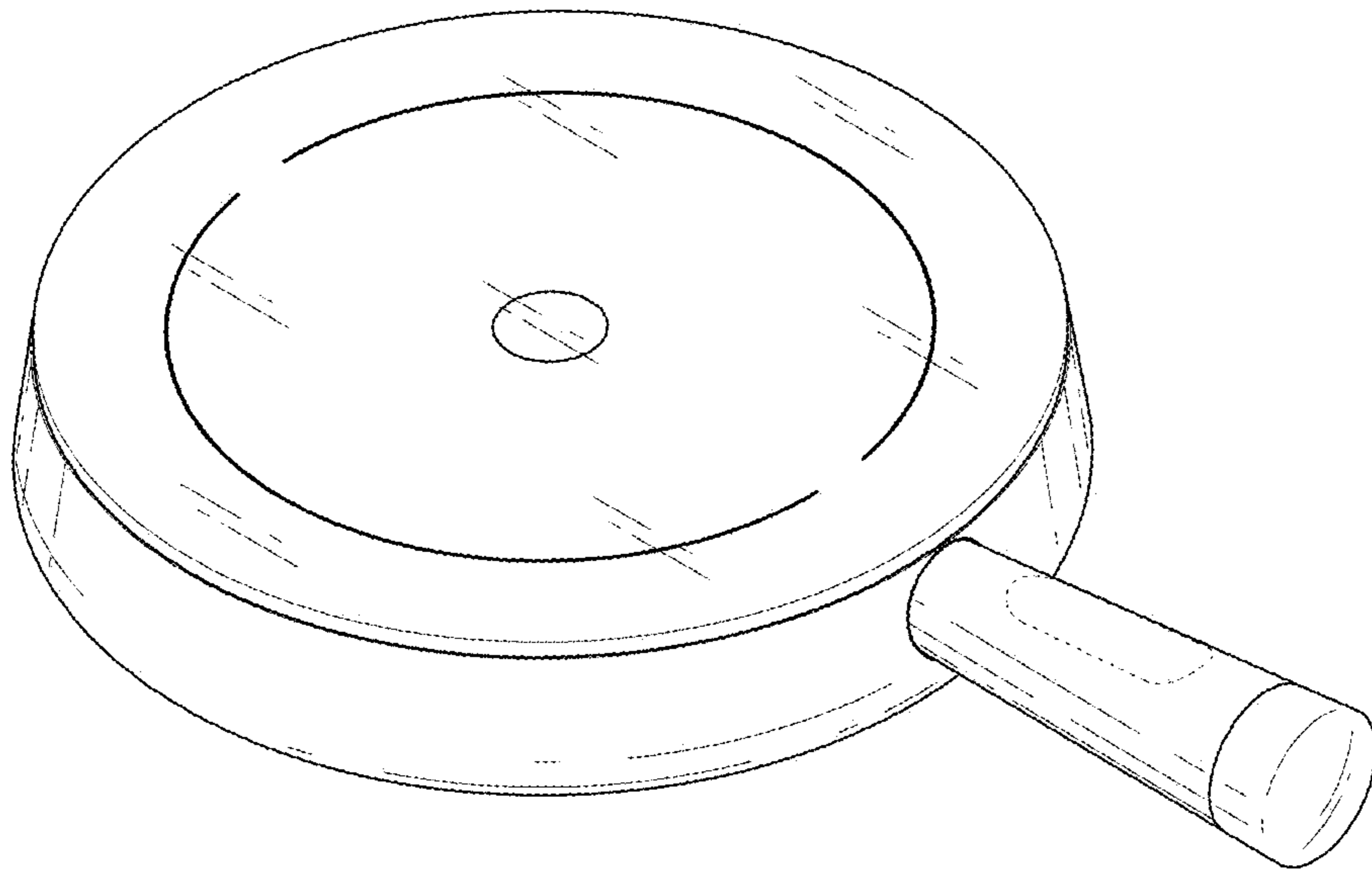
References Cited

U.S. PATENT DOCUMENTS

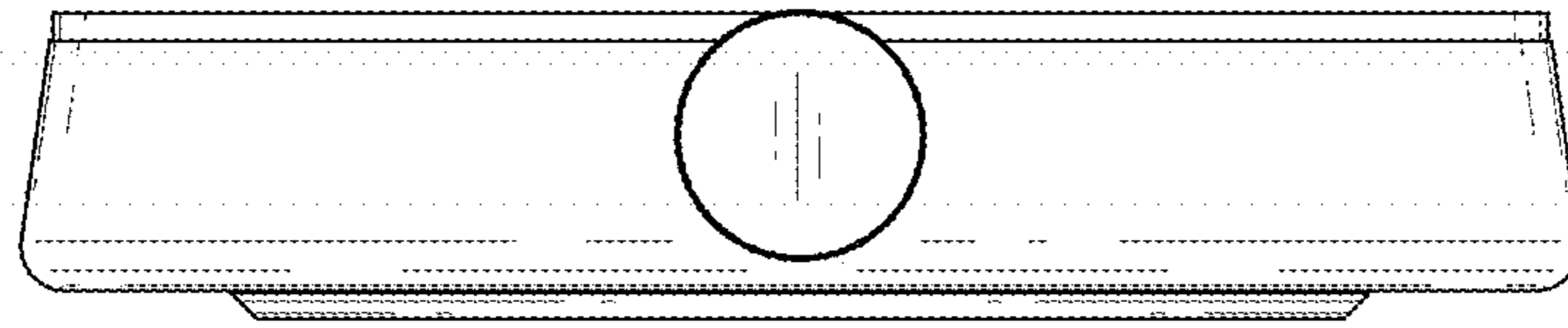
D677,516 S * 3/2013 Cloutier D7/354
2004/0016348 A1* 1/2004 Sharpe A47J 37/10
99/331
2005/0242086 A1* 11/2005 Imura A47J 27/62
219/627
2011/0268153 A1* 11/2011 He A47J 37/108
374/179
2012/0000903 A1* 1/2012 Baarman A47J 27/002
219/620
2012/0152932 A1* 6/2012 Moon H05B 6/1209
219/601

* cited by examiner

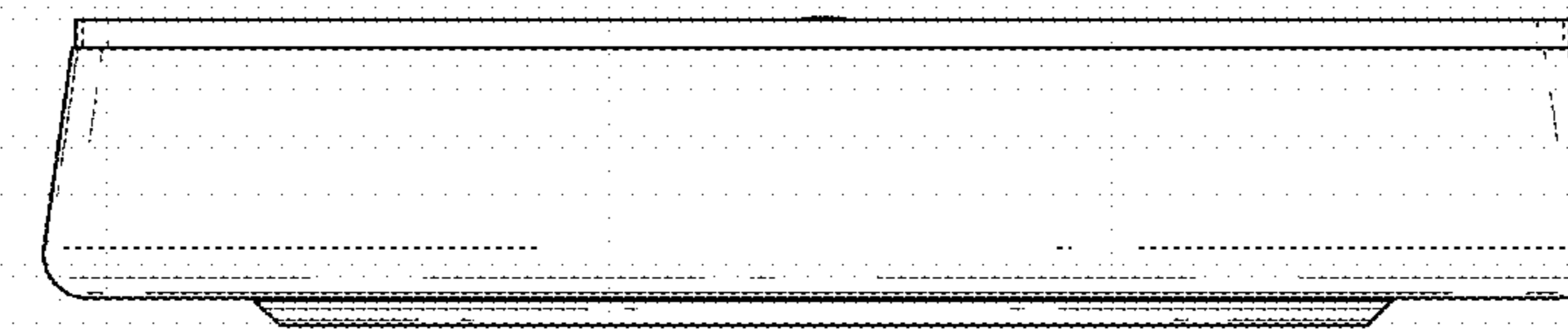
1.1



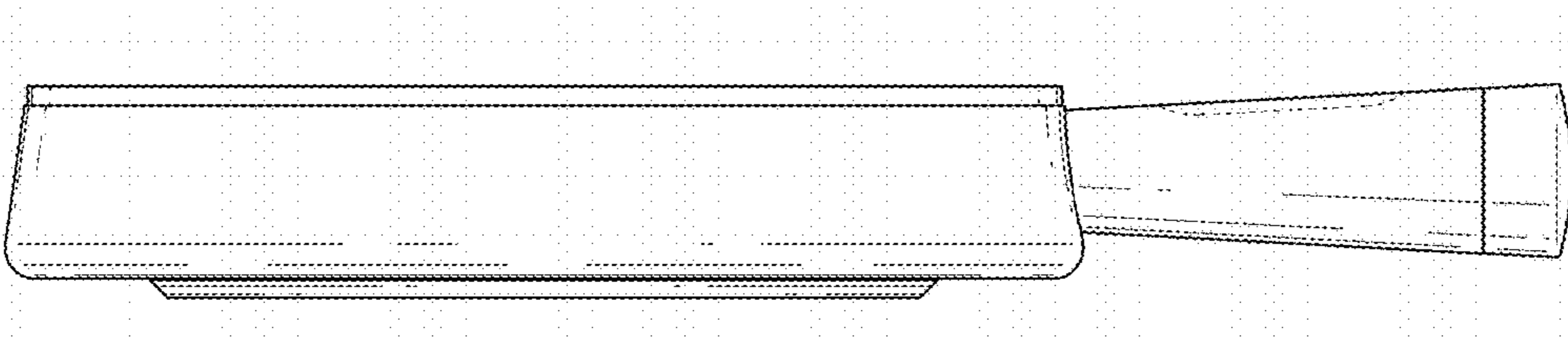
1.2



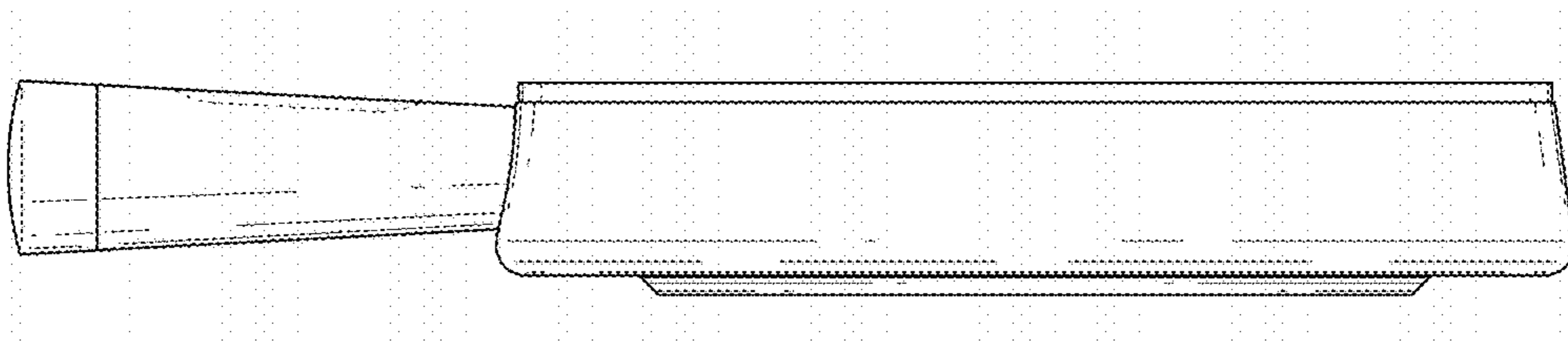
1.3



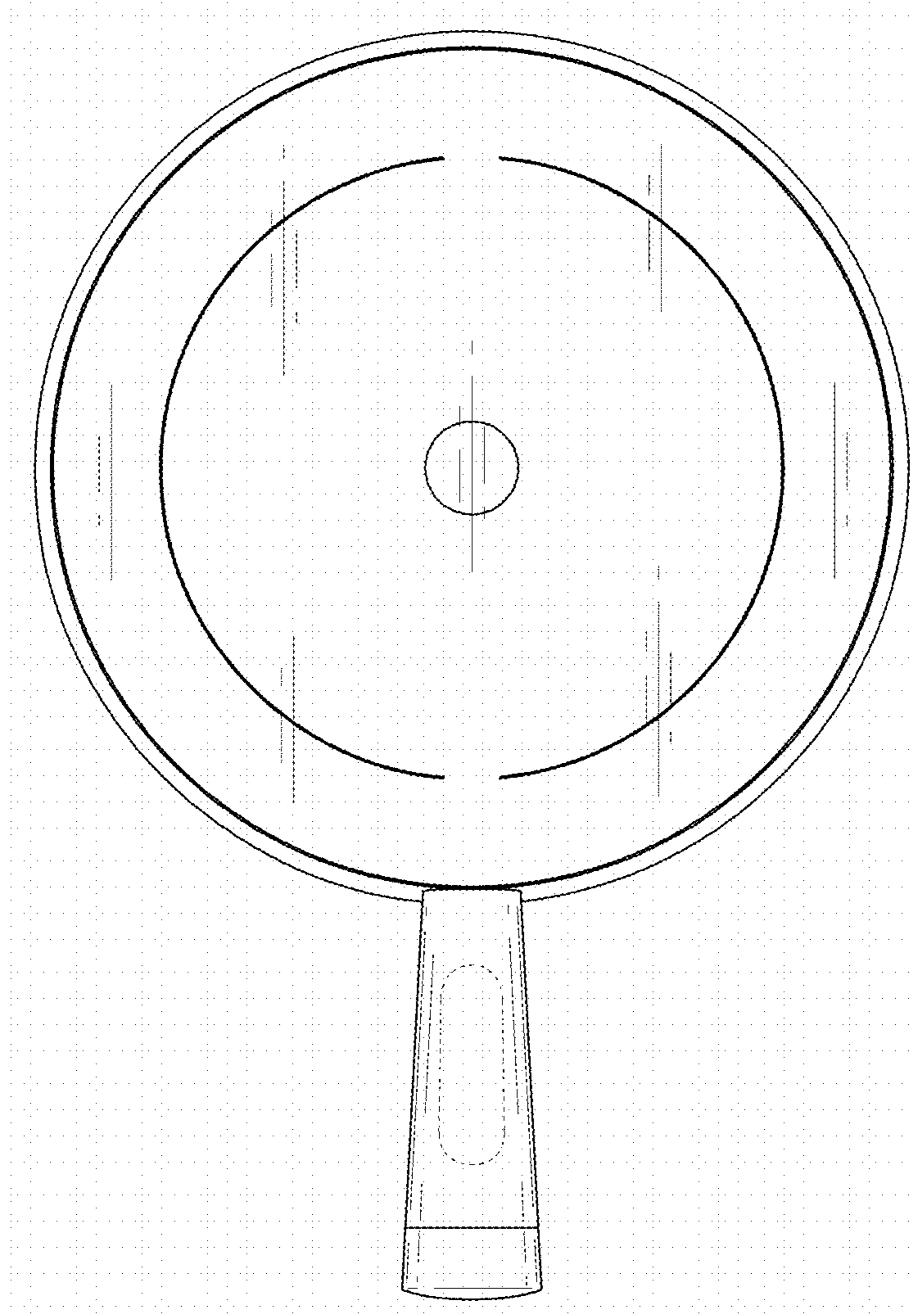
1.4



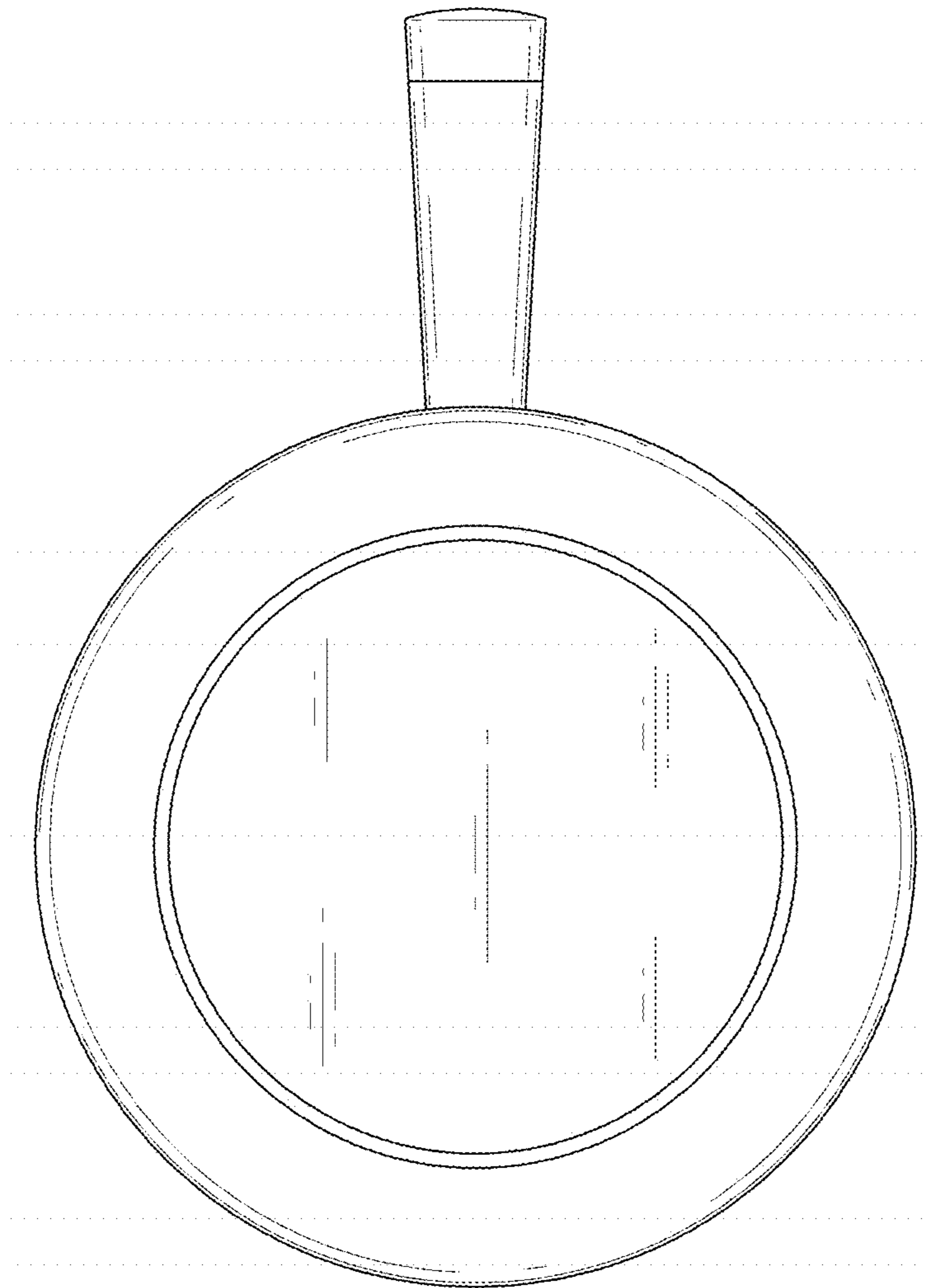
1.5



1.6



1.7



1.8

