



US00D817698S

(12) **United States Design Patent** (10) **Patent No.:** **US D817,698 S**  
**Liu** (45) **Date of Patent:** **\*\* May 15, 2018**

(54) **AIR FRYER**

(56) **References Cited**

(71) Applicant: **Jianjun Liu**, Zhejiang (CN)

U.S. PATENT DOCUMENTS

(72) Inventor: **Jianjun Liu**, Zhejiang (CN)

D313,531 S *	1/1991	Barrault .....	D7/360
D414,072 S *	9/1999	Powell .....	D7/354
D532,248 S *	11/2006	Allende Fritsch .....	D7/354
D552,921 S *	10/2007	Garman .....	D7/354
D680,800 S *	4/2013	Berge .....	D7/354
D680,801 S *	4/2013	Seymour .....	D7/354
D680,802 S *	4/2013	Seymour .....	D7/354
D692,718 S *	11/2013	Verbrugge .....	D7/354
D701,075 S *	3/2014	Wai .....	D7/354
D719,397 S *	12/2014	Krooshof .....	D7/354
D793,797 S *	8/2017	Krooshof .....	D7/354
D801,103 S *	10/2017	Krooshof .....	D7/354

(\*\*) Term: **15 Years**

(21) Appl. No.: **29/598,948**

(22) Filed: **Mar. 30, 2017**

(51) **LOC (11) Cl.** ..... **07-02**

(52) **U.S. Cl.**  
USPC ..... **D7/361**; D7/354

\* cited by examiner

(58) **Field of Classification Search**

*Primary Examiner* — Ricky Pham

USPC ..... D7/323, 354–361  
CPC ..... A23L 1/01; A23L 1/0107; A23L 1/0114;  
A47J 27/00; A47J 27/08; A47J 27/09;  
A47J 27/092; A47J 36/025; A47J 36/06;  
A47J 36/08; A47J 36/10; A47J 36/12;  
A47J 36/165; A47J 36/18; A47J 36/20;  
A47J 36/22; A47J 37/00; A47J 37/12;  
A47J 37/1204; A47J 37/1209; A47J  
37/1214; A47J 37/1219; A47J 37/1266;  
A47J 37/1285; A47J 37/129; A47J  
37/1295; G07F 17/0064; G07F 17/0078;  
G07F 17/0085; H05B 6/02; H05B 6/06;  
H05B 6/12

(57) **CLAIM**

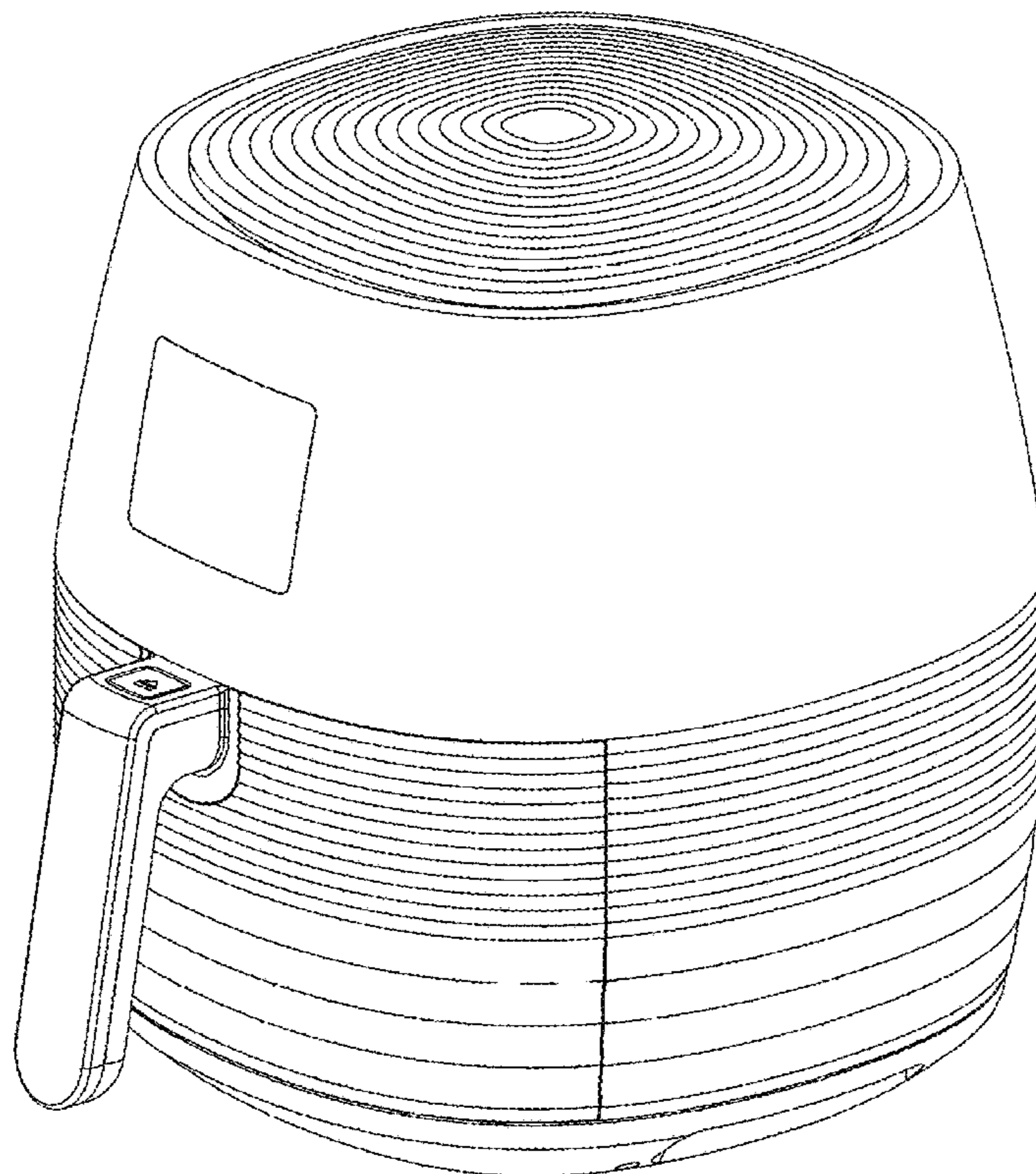
The ornamental design for an air fryer, as shown.

**DESCRIPTION**

FIG. 1 is a front elevational view of an air fryer showing my new design;  
FIG. 2 is a rear elevational view thereof;  
FIG. 3 is a left side view thereof;  
FIG. 4 is a right side view thereof;  
FIG. 5 is a top plan view thereof;  
FIG. 6 is a bottom plan view thereof; and,  
FIG. 7 is a perspective view thereof.

See application file for complete search history.

**1 Claim, 7 Drawing Sheets**



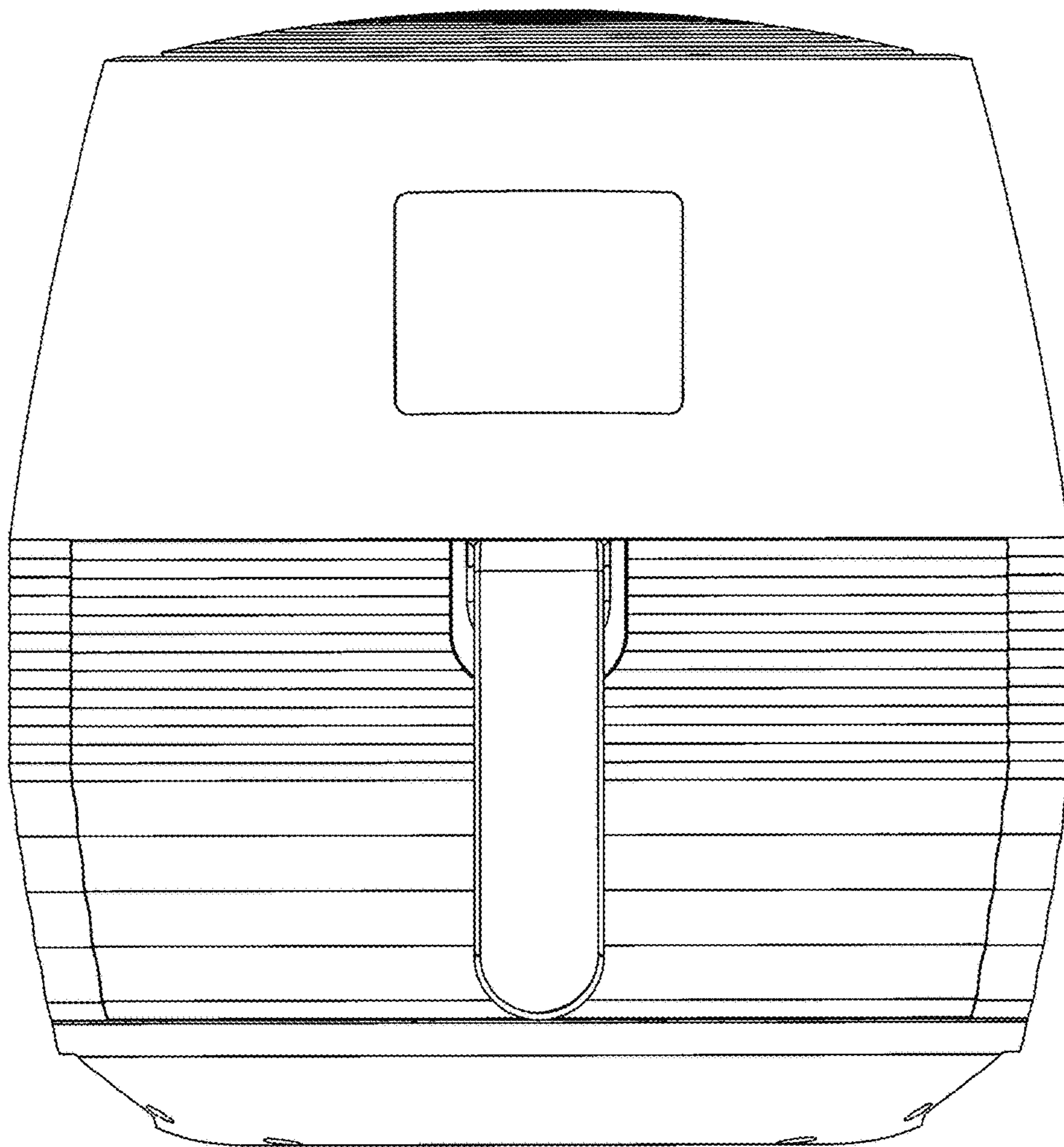


FIG. 1

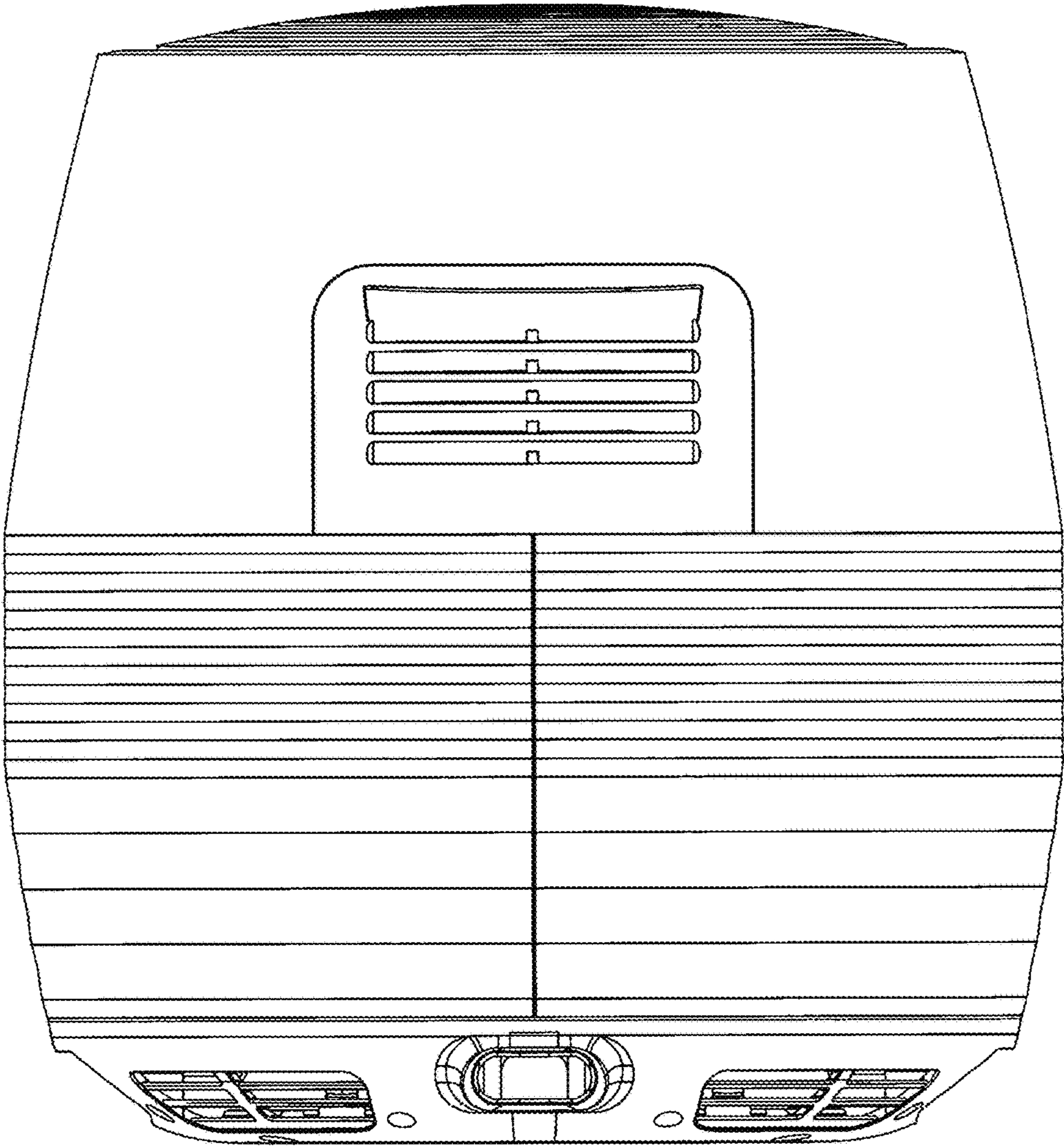


FIG. 2

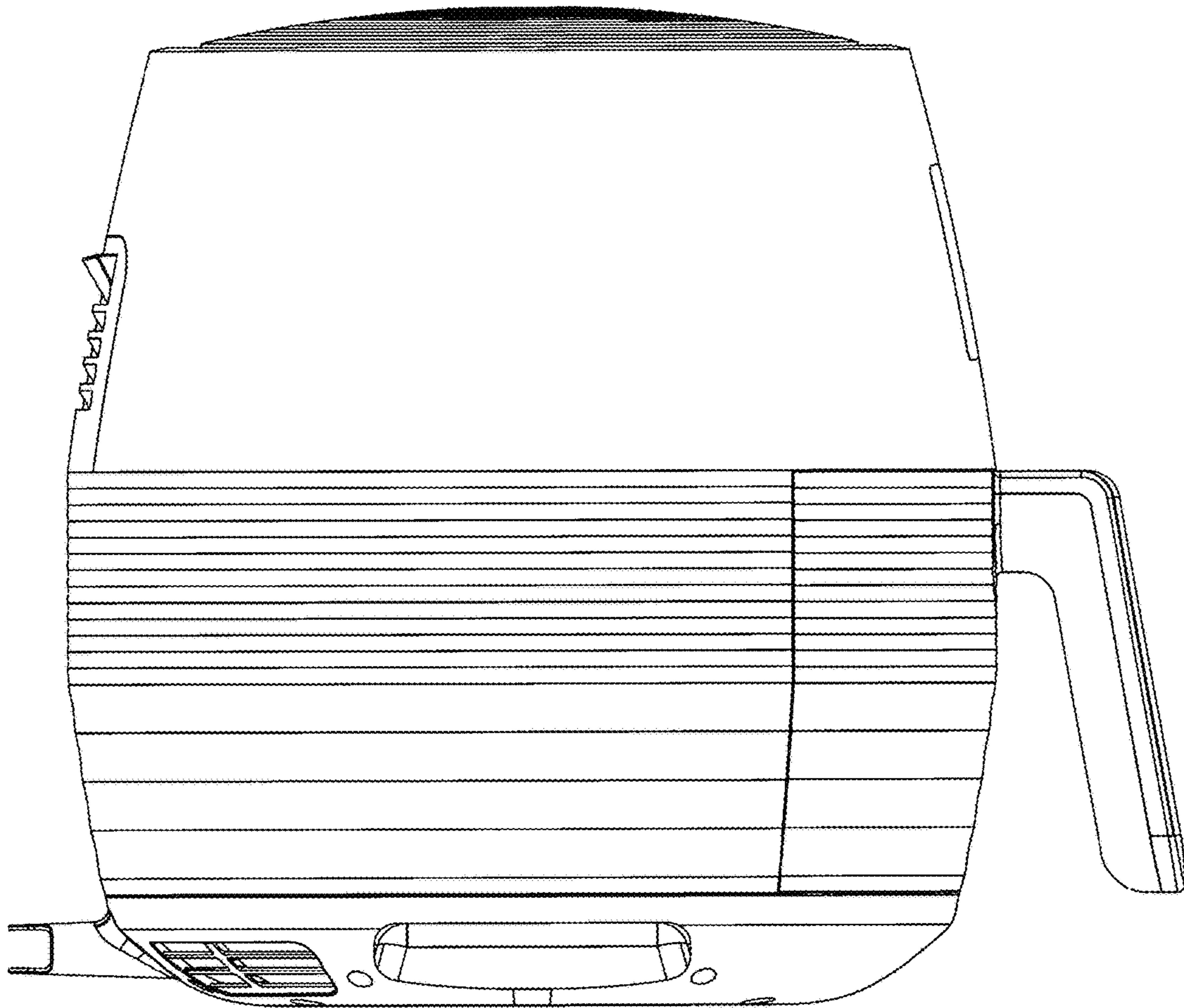


FIG. 3



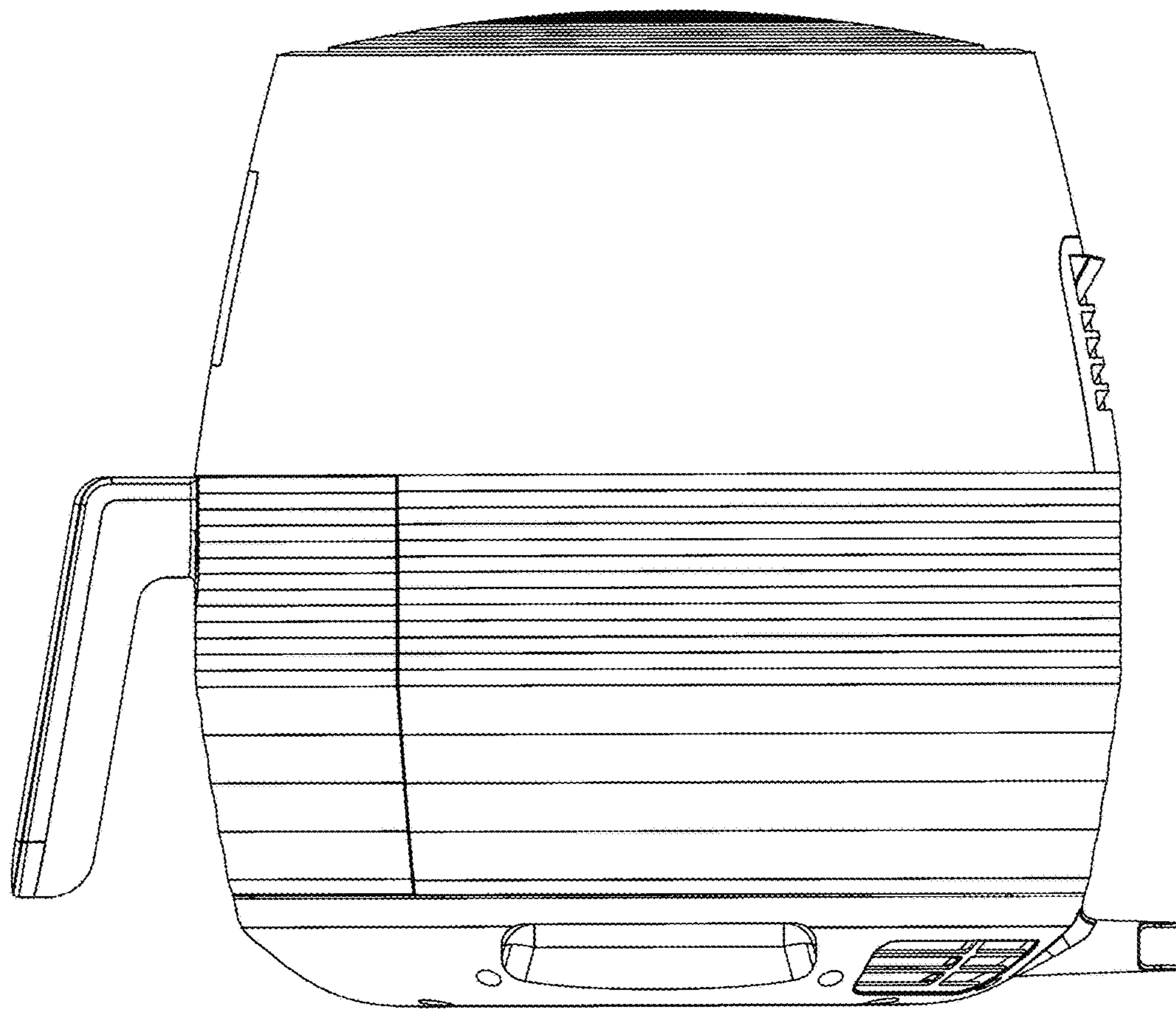


FIG. 4

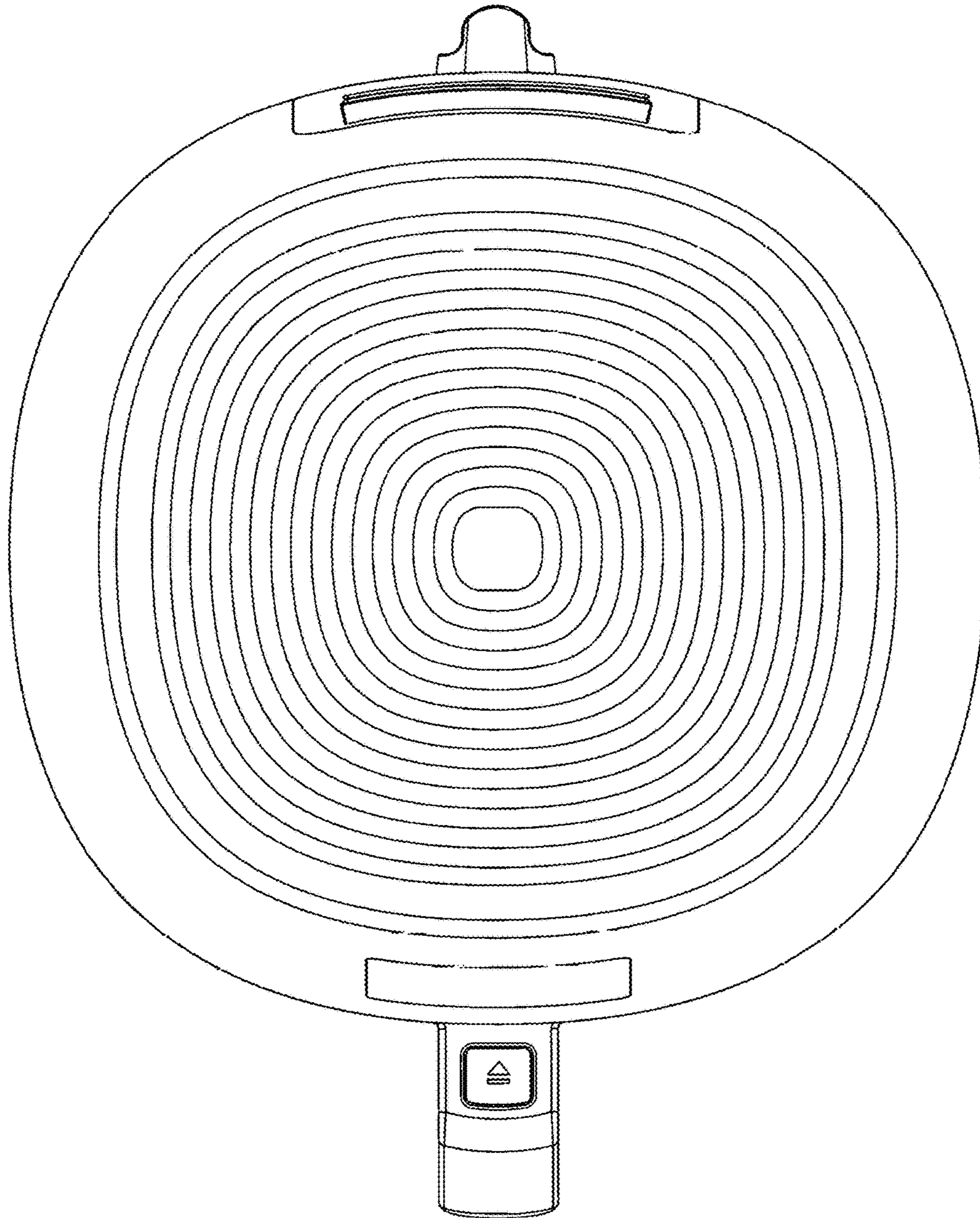


FIG. 5

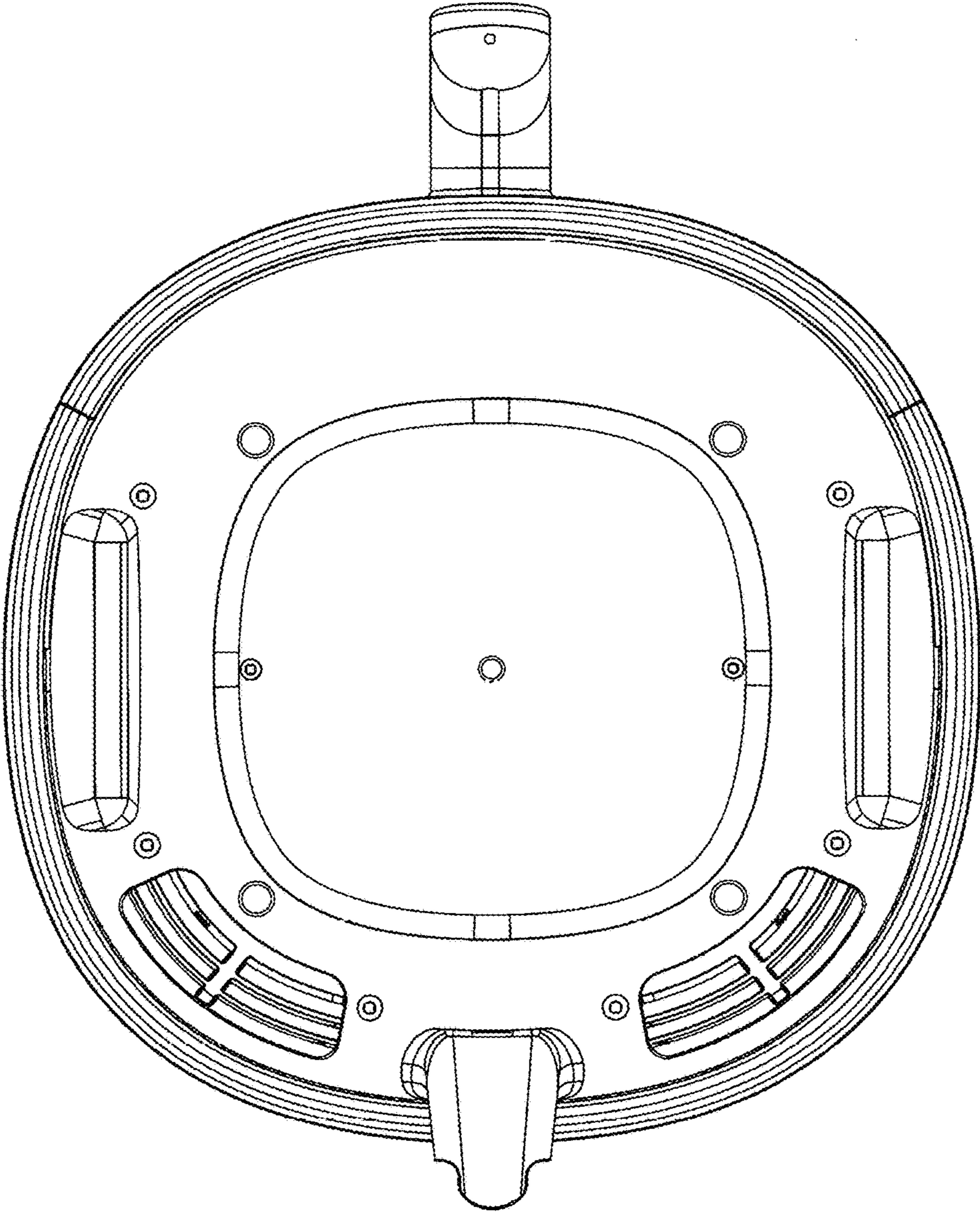


FIG. 6



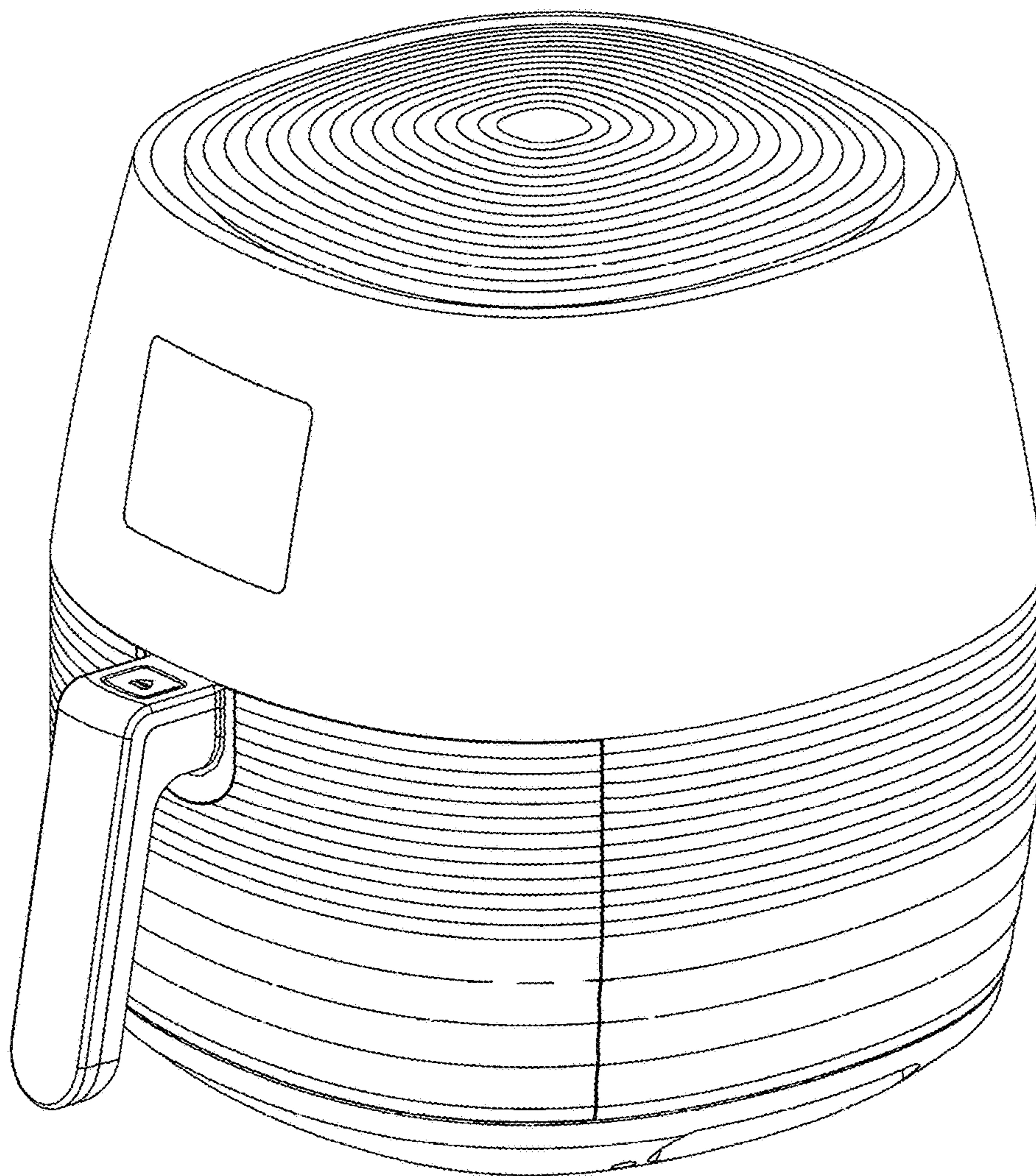


FIG. 7