



US00D817696S

(12) **United States Design Patent**  
**Mirchandani et al.**

(10) **Patent No.:** **US D817,696 S**  
(45) **Date of Patent:** **\*\* May 15, 2018**

(54) **COOKING APPARATUS**

37/04; B65D 1/22; B65D 1/24; B65D 1/34;

(71) Applicant: **Tristar Products, Inc.**, Fairfield, NJ  
(US)

(Continued)

(72) Inventors: **Keith Mirchandani**, Fairfield, NJ (US);  
**Paul McGrath**, Flanders, NJ (US);  
**James Mitrik**, Long Pond, PA (US);  
**Alejandro G. Lozano**, Guttenberg, NJ  
(US)

(56) **References Cited**

U.S. PATENT DOCUMENTS

476,340 A \* 6/1892 Wagandt ..... A21B 3/13  
220/575  
2,080,125 A \* 5/1937 Frost ..... B65D 1/34  
220/645

(Continued)

(73) Assignee: **Tristar Products, Inc.**, Fairfield, NJ  
(US)

FOREIGN PATENT DOCUMENTS

DE 102013202315 A1 8/2014  
GB 475619 A 11/1937  
WO WO-9935059 A1 7/1999

(\*\*) Term: **15 Years**

*Primary Examiner* — Ricky Pham

(21) Appl. No.: **29/596,508**

(74) *Attorney, Agent, or Firm* — Adler Pollock & Sheehan P.C.; Daniel J. Holmander, Esq.

(22) Filed: **Mar. 8, 2017**

(57) **CLAIM**

The ornamental design for a cooking apparatus, as shown and described.

**Related U.S. Application Data**

**DESCRIPTION**

(63) Continuation-in-part of application No. 29/596,010, filed on Mar. 3, 2017, and a continuation-in-part of application No. 29/596,040, filed on Mar. 3, 2017.

The file of this patent contains at least one drawing executed in color. Copies of this patent with color drawings will be provided by the Office upon request and payment of the necessary fee.

(51) **LOC (11) Cl.** ..... **07-02**

FIG. 1 is a front perspective view of a cooking apparatus in accordance with the subject disclosure.

(52) **U.S. Cl.**

USPC ..... **D7/359**; D7/354; D7/409

FIG. 2 is a top view of the cooking apparatus of FIG. 1.

(58) **Field of Classification Search**

USPC ..... D7/323, 354–361, 400, 543, 545, 549, D7/550.1, 553.1–553.8, 554.1–554.4, 555, D7/584, 586, 624.1; D8/499; D9/430–433, 455–456, 737, 756–762

FIG. 3 is a bottom view of the cooking apparatus of FIG. 1.

CPC .... A21B 3/00; A21B 3/13; A21B 3/15; A21B 3/134; A21B 5/00; A21B 5/02; A47G 19/02; A47G 23/03; A47J 36/022; A47J 36/025; A47J 36/027; A47J 37/00; A47J

FIG. 4 is a front view of the cooking apparatus of FIG. 1.

FIG. 5 is a rear view of the cooking apparatus of FIG. 1.

FIG. 6 is another top perspective view of the cooking apparatus of FIG. 1.

FIG. 7 is a bottom perspective view of the cooking apparatus of FIG. 1.

FIG. 8 is a right side view of the cooking apparatus of FIG. 1; and,

(Continued)

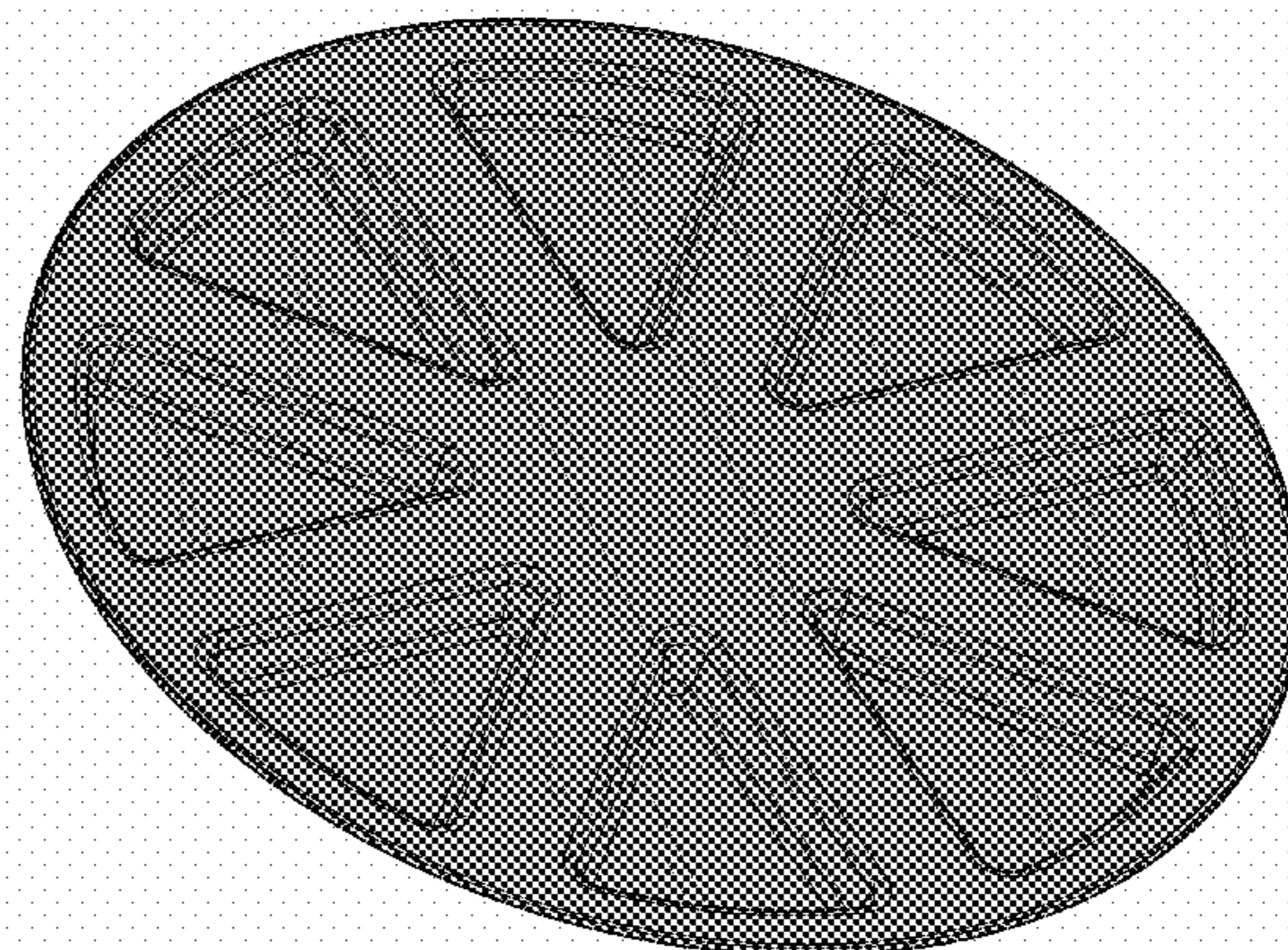
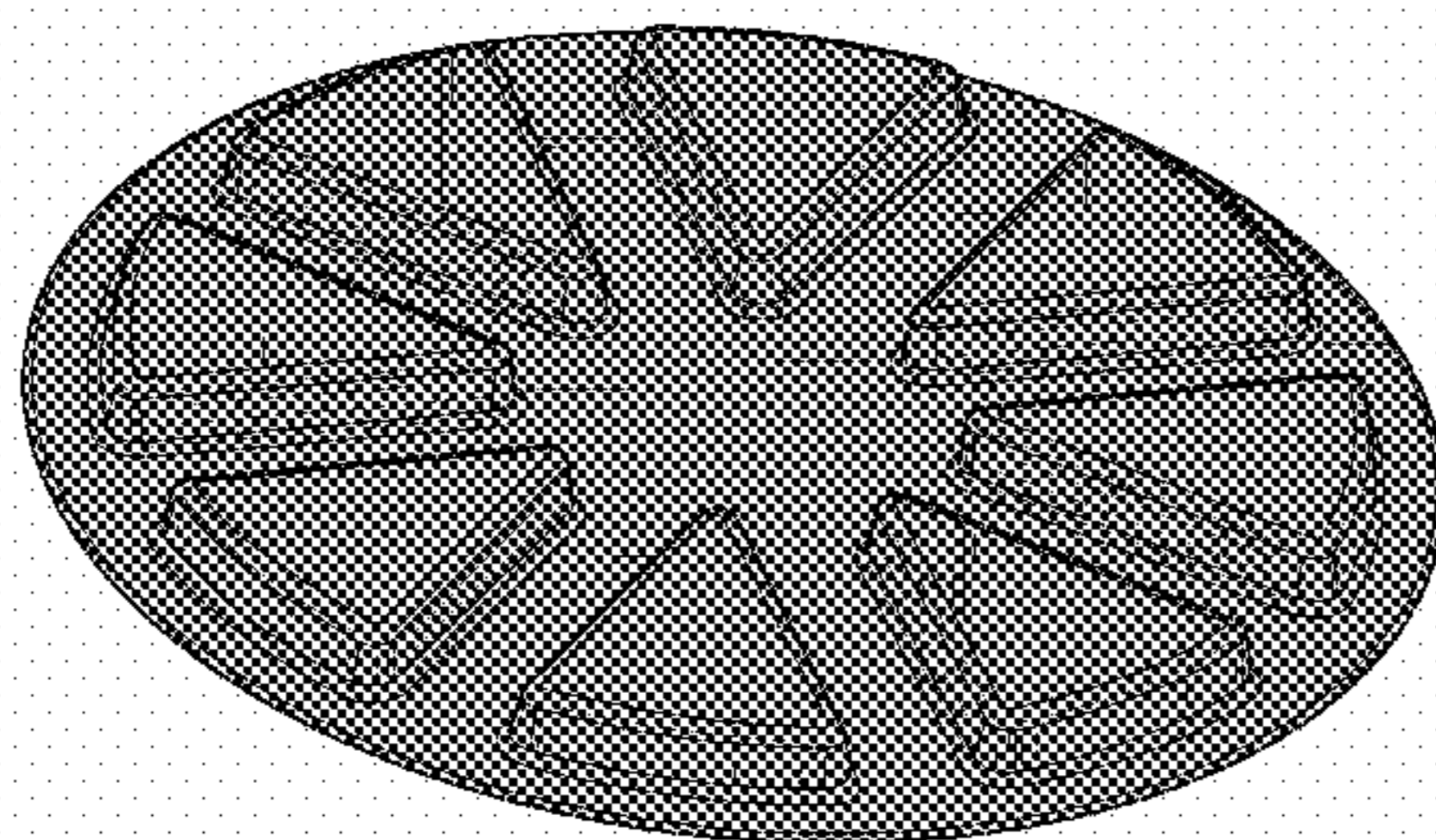


FIG. 9 is a left side view of the cooking apparatus of FIG. 1.

**1 Claim, 9 Drawing Sheets  
(9 of 9 Drawing Sheet(s) Filed in Color)**

(58) **Field of Classification Search**

CPC ... B65D 1/36; B65D 5/48004; B65D 81/343;  
B65D 85/36

See application file for complete search history.

(56)

**References Cited**

U.S. PATENT DOCUMENTS

2,700,284 A \* 1/1955 Lyon, Jr. .... A47G 19/02  
220/23.8  
3,268,198 A \* 8/1966 Swett ..... A47G 23/03  
248/346.11

3,771,713 A \* 11/1973 Davidson ..... B65D 5/48004  
206/551  
D245,384 S \* 8/1977 Ashton ..... 215/228  
4,644,858 A 2/1987 Liotto et al.  
D332,030 S \* 12/1992 Kauffman ..... D7/624.1  
7,478,588 B2 1/2009 Miller et al.  
D598,714 S \* 8/2009 Aagaard ..... D7/554.1  
D616,698 S \* 6/2010 Lion ..... D7/354  
D622,539 S 8/2010 Simon et al.  
D664,391 S \* 7/2012 Hixon ..... D7/400  
D666,086 S \* 8/2012 Mundhra ..... D7/667  
D677,973 S \* 3/2013 Smallegan ..... D7/354  
8,523,000 B2 \* 9/2013 Vovan ..... B65D 1/34  
206/505  
8,534,188 B1 9/2013 Winfield  
8,925,446 B2 1/2015 McPheron  
9,107,421 B2 8/2015 Campbell et al.  
9,532,676 B1 1/2017 Winfield  
2005/0217498 A1 10/2005 Miller et al.  
2011/0088566 A1 4/2011 Doxie  
2012/0308701 A1 12/2012 Campbell et al.

\* cited by examiner

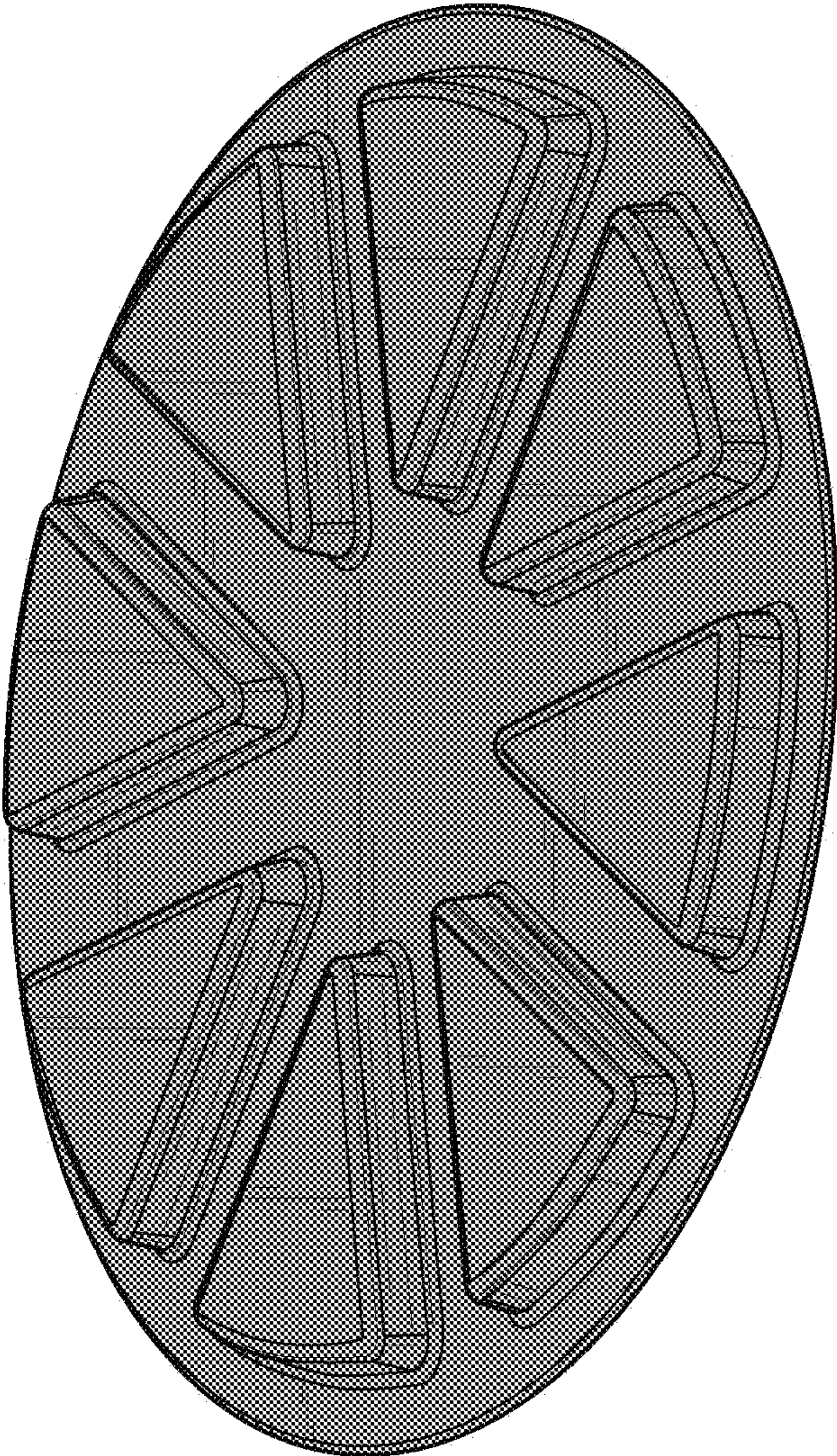


FIG. 1

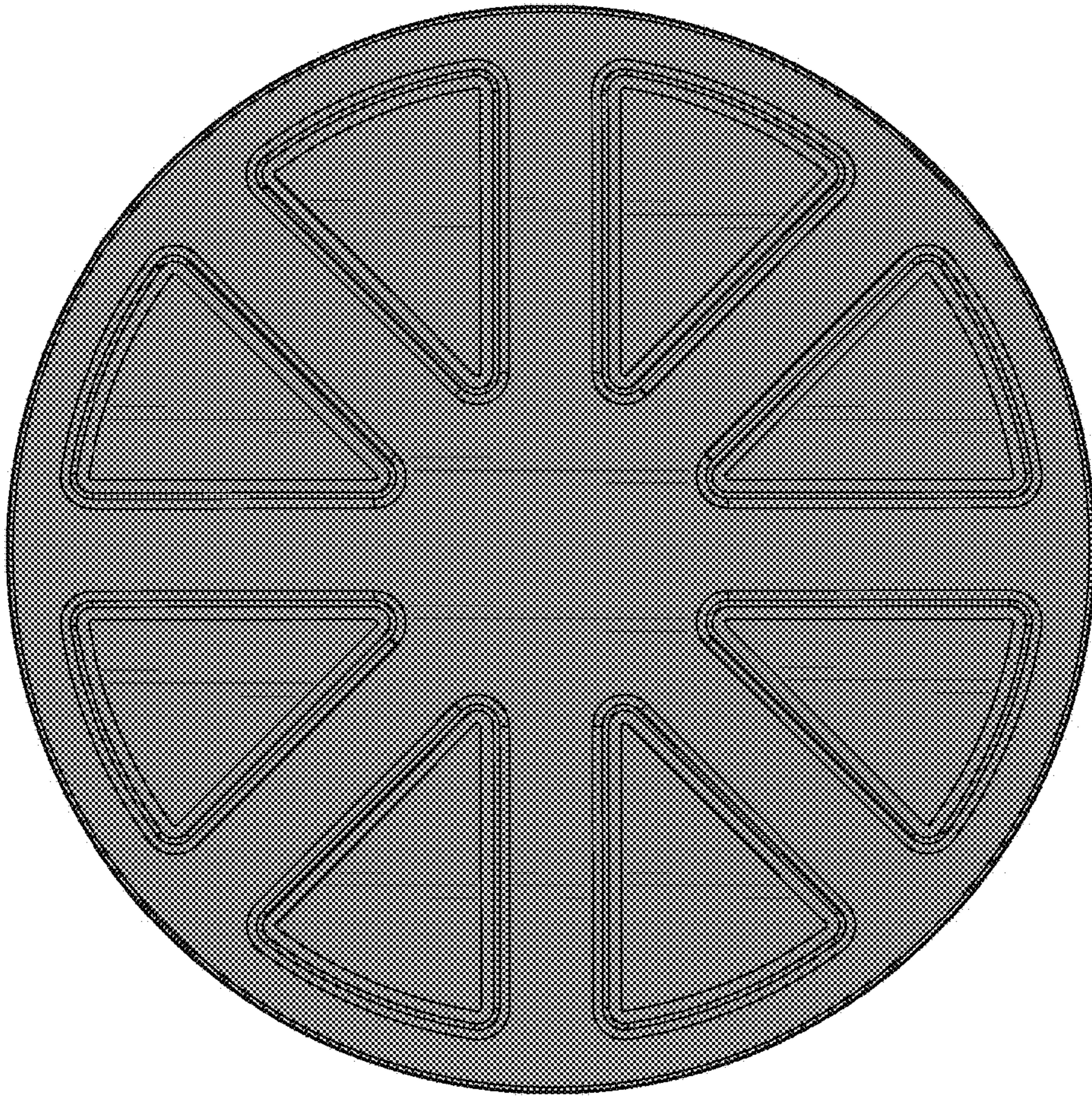


FIG. 2

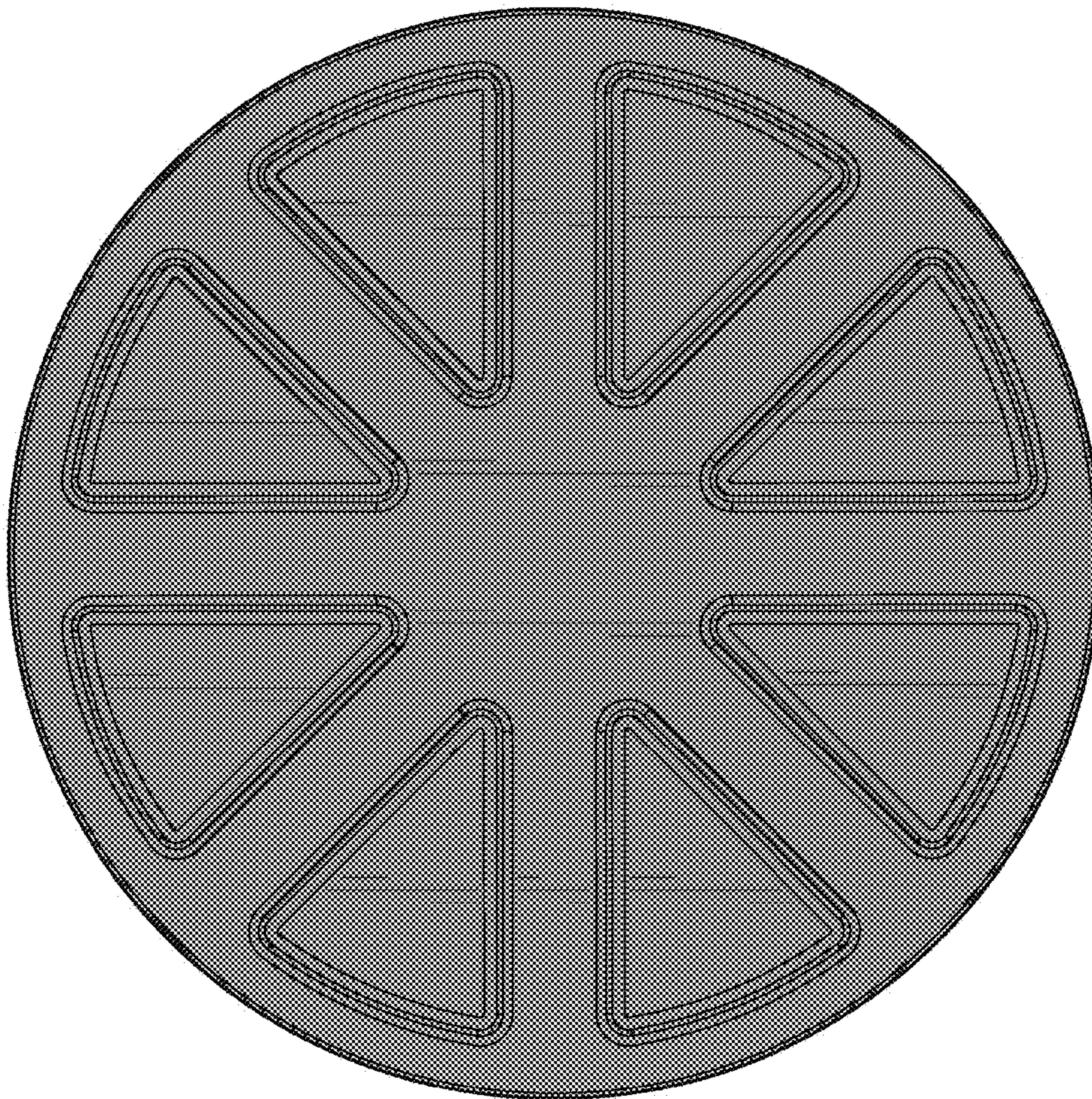


FIG. 3

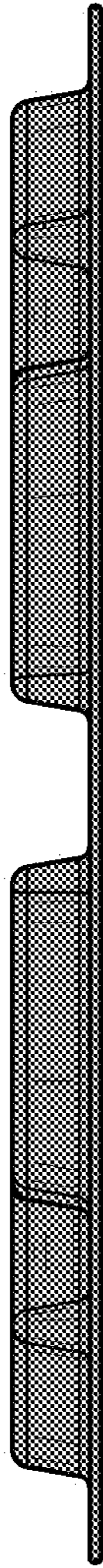


FIG. 4

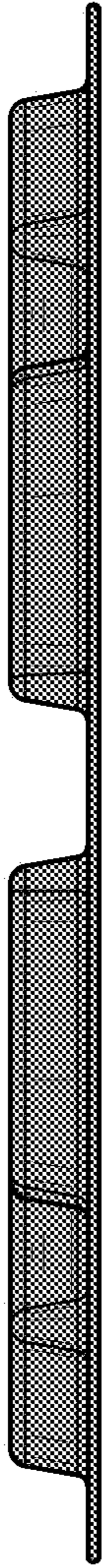


FIG. 5

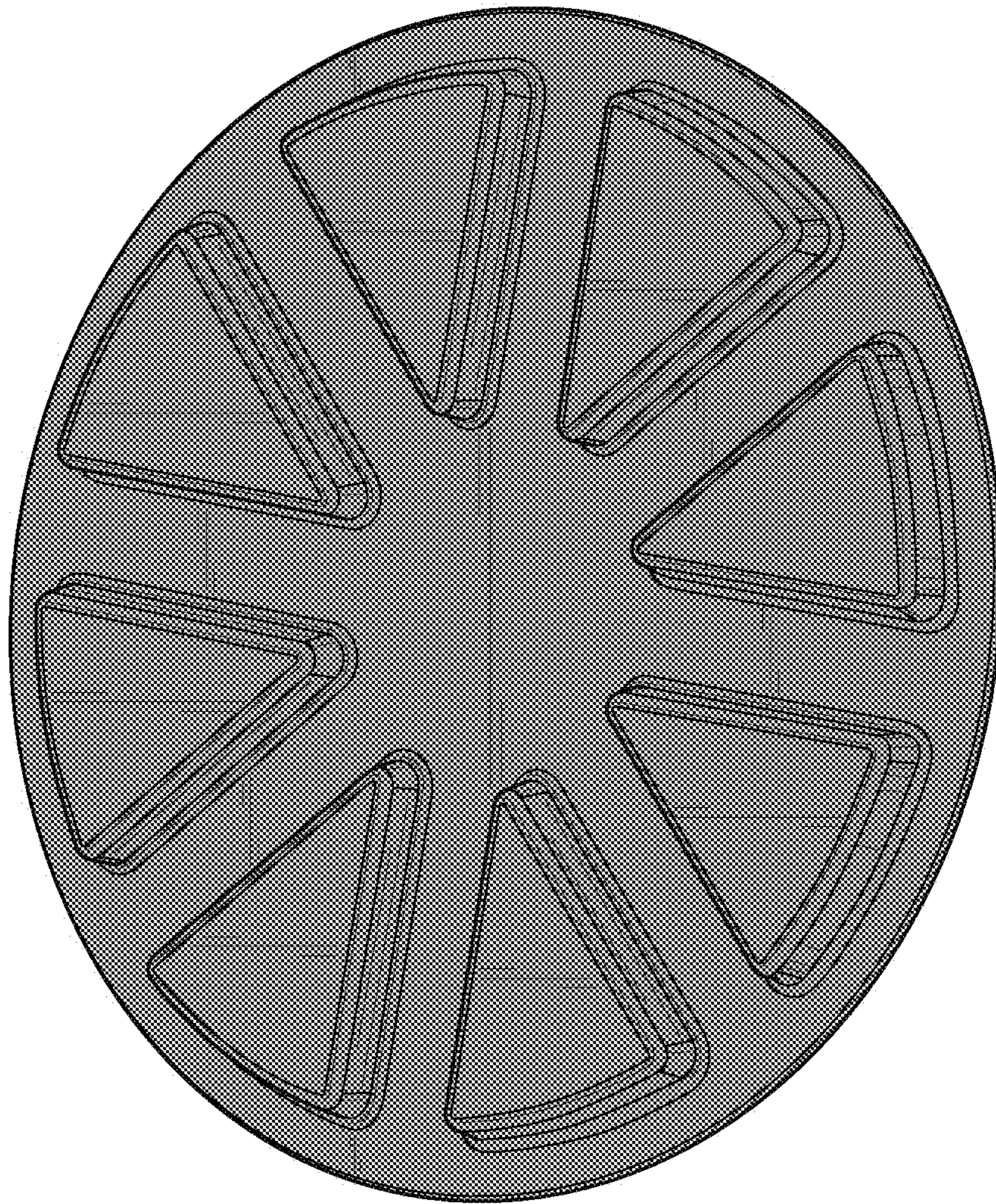


FIG. 6



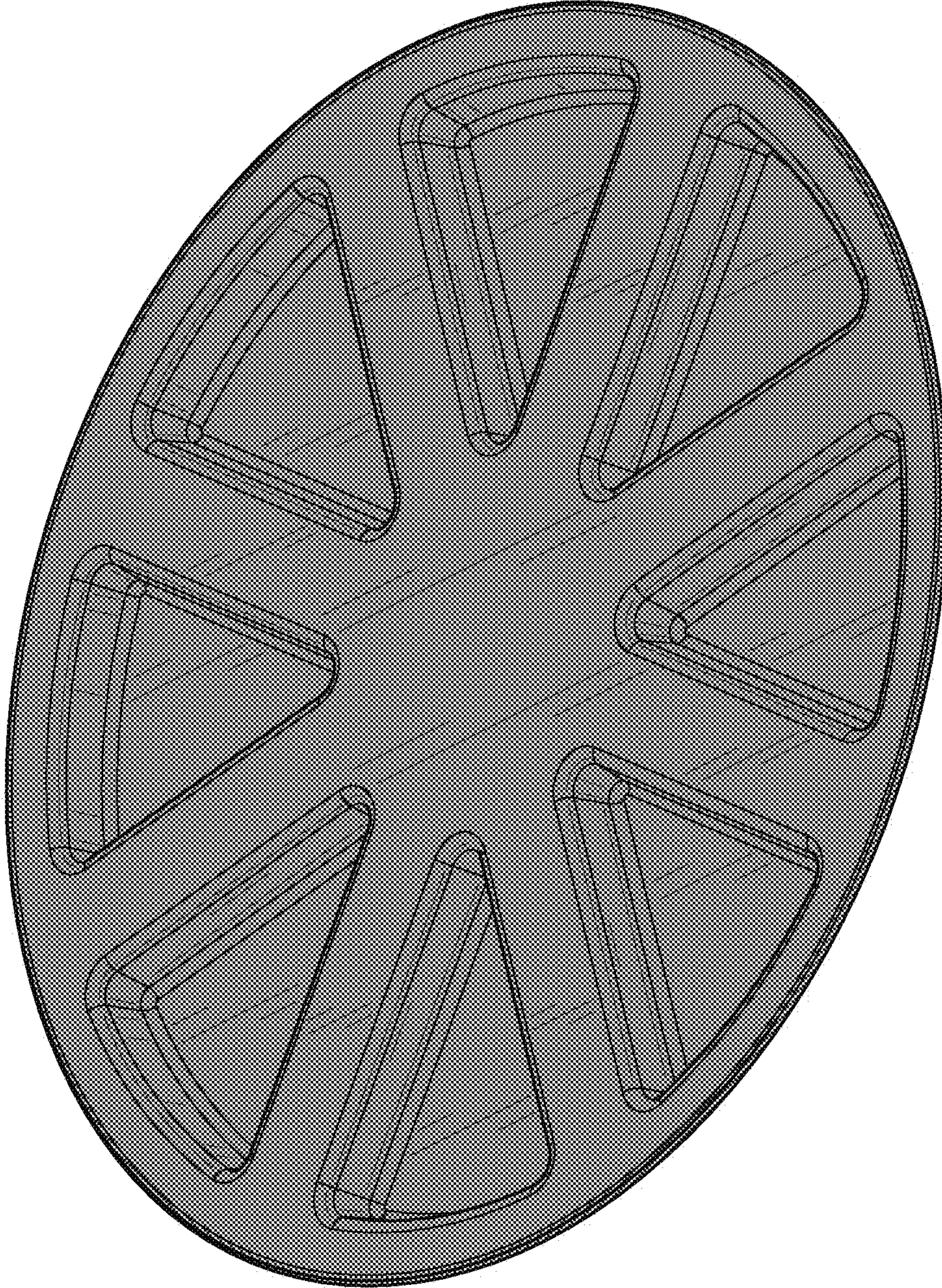


FIG. 7

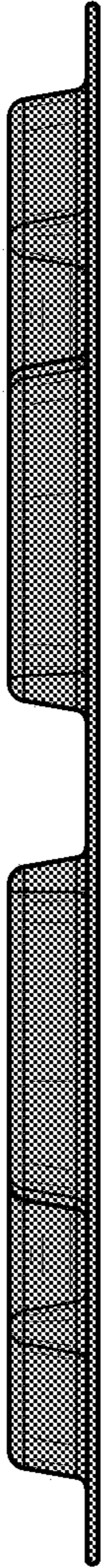


FIG. 8



FIG. 9