



US00D817695S

(12) **United States Design Patent**
Liu et al.

(10) **Patent No.:** **US D817,695 S**
(45) **Date of Patent:** **** May 15, 2018**

(54) **CONTACT GRILL**

(71) Applicant: **Ningbo Borine Electric Appliance Co., Ltd.**, Ningbo, Zhejiang (CN)

(72) Inventors: **Xinmin Liu**, Zhejiang (CN); **Yiwei Xu**, Zhejiang (CN)

(73) Assignee: **Ningbo Borine Electric Appliance Co., Ltd.**, Ningbo (CN)

(**) Term: **15 Years**

(21) Appl. No.: **29/607,765**

(22) Filed: **Jun. 16, 2017**

(30) **Foreign Application Priority Data**

May 4, 2017 (CN) 2017 3 0159308

(51) **LOC (11) Cl.** **07-02**

(52) **U.S. Cl.**
USPC **D7/352**

(58) **Field of Classification Search**
USPC D7/332-337, 352, 402-411, 362-364
CPC A47J 37/0713; A47J 37/0763; A47J 37/0611; A47J 37/0704; A47J 37/0777; A47J 37/0786; A47J 33/00; A47J 37/0617; A47J 37/0676
See application file for complete search history.

(56) **References Cited**

U.S. PATENT DOCUMENTS

D509,703 S * 9/2005 Barker D7/352
D532,646 S * 11/2006 Moore D7/352
D546,619 S * 7/2007 McHutchison D7/352

D591,550 S * 5/2009 Lam D7/337
D622,538 S * 8/2010 Hoare D7/352
D632,126 S * 2/2011 Tetreault D7/352
D634,969 S * 3/2011 De' Longhi D7/352
D702,987 S * 4/2014 Gillespie D7/334
D766,645 S * 9/2016 Koszylko D7/352
2007/0017384 A1* 1/2007 Serra A47J 37/0611
99/372
2010/0319550 A1* 12/2010 Wu A47J 37/0611
99/380
2017/0367531 A1* 12/2017 Yan A47J 37/0611

* cited by examiner

Primary Examiner — Susan Bennett Hattan
Assistant Examiner — Brett Miller

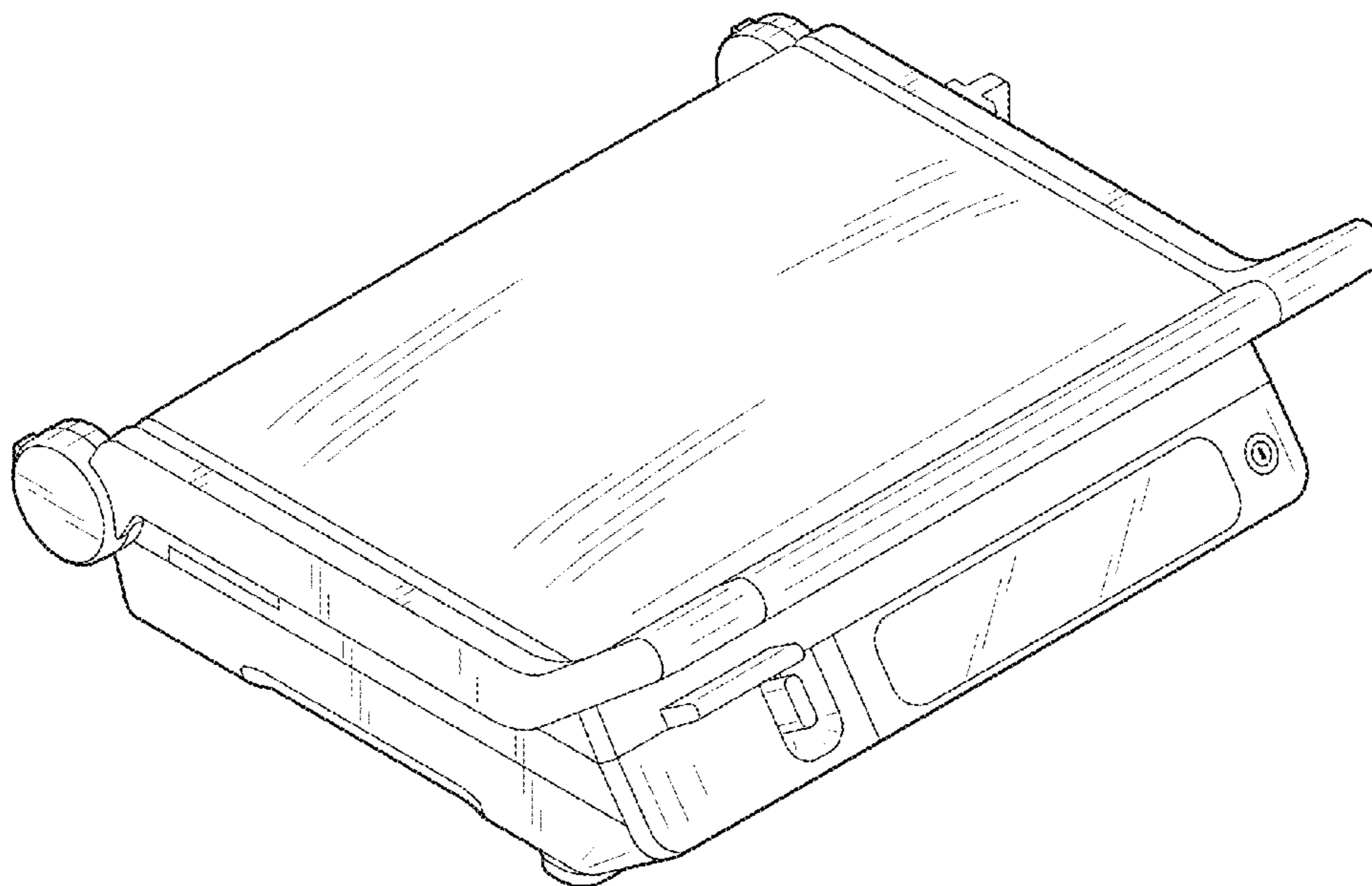
(57) **CLAIM**

The ornamental design for a contact grill, as shown and described.

DESCRIPTION

FIG. 1 is a front elevational view of a contact grill showing our new design;
FIG. 2 is a rear elevational view thereof;
FIG. 3 is a left side view thereof;
FIG. 4 is a right side view thereof;
FIG. 5 is a top plan view thereof;
FIG. 6 is a bottom plan view thereof;
FIG. 7 is a first perspective view thereof;
FIG. 8 is a second perspective view thereof;
FIG. 9 is a third perspective view thereof; and,
FIG. 10 is a fourth perspective view thereof.
The broken lines in the drawings illustrate portions of the contact grill which form no part of the claimed design. The oblique line shading depicts transparency.

1 Claim, 8 Drawing Sheets



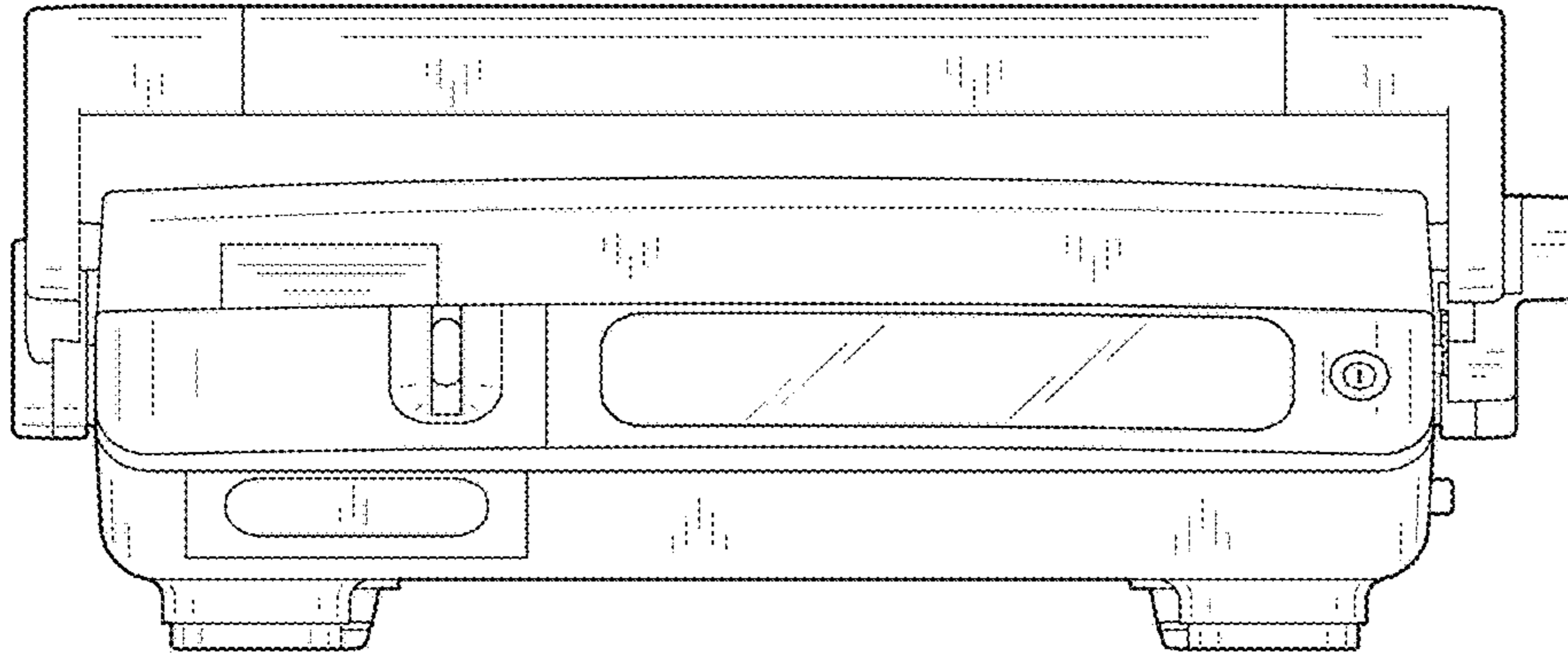


Fig. 1

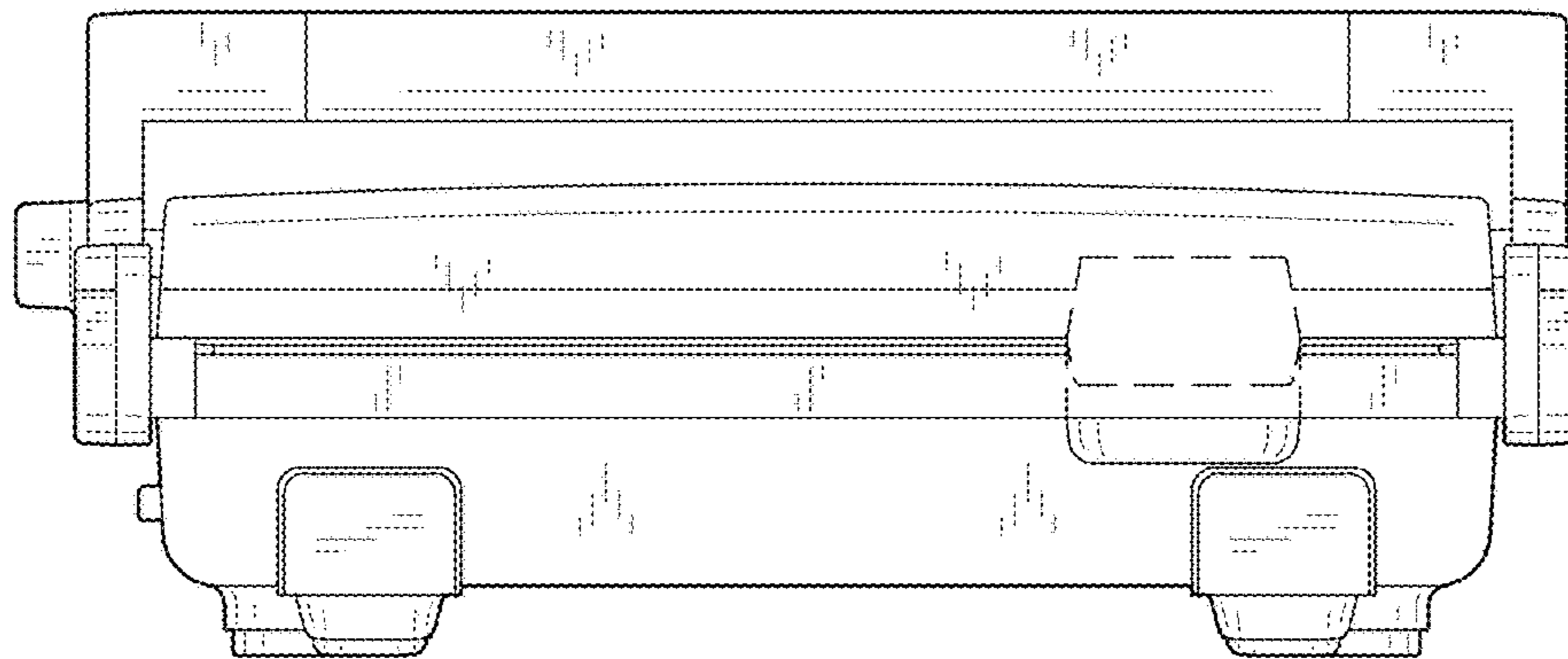


Fig. 2

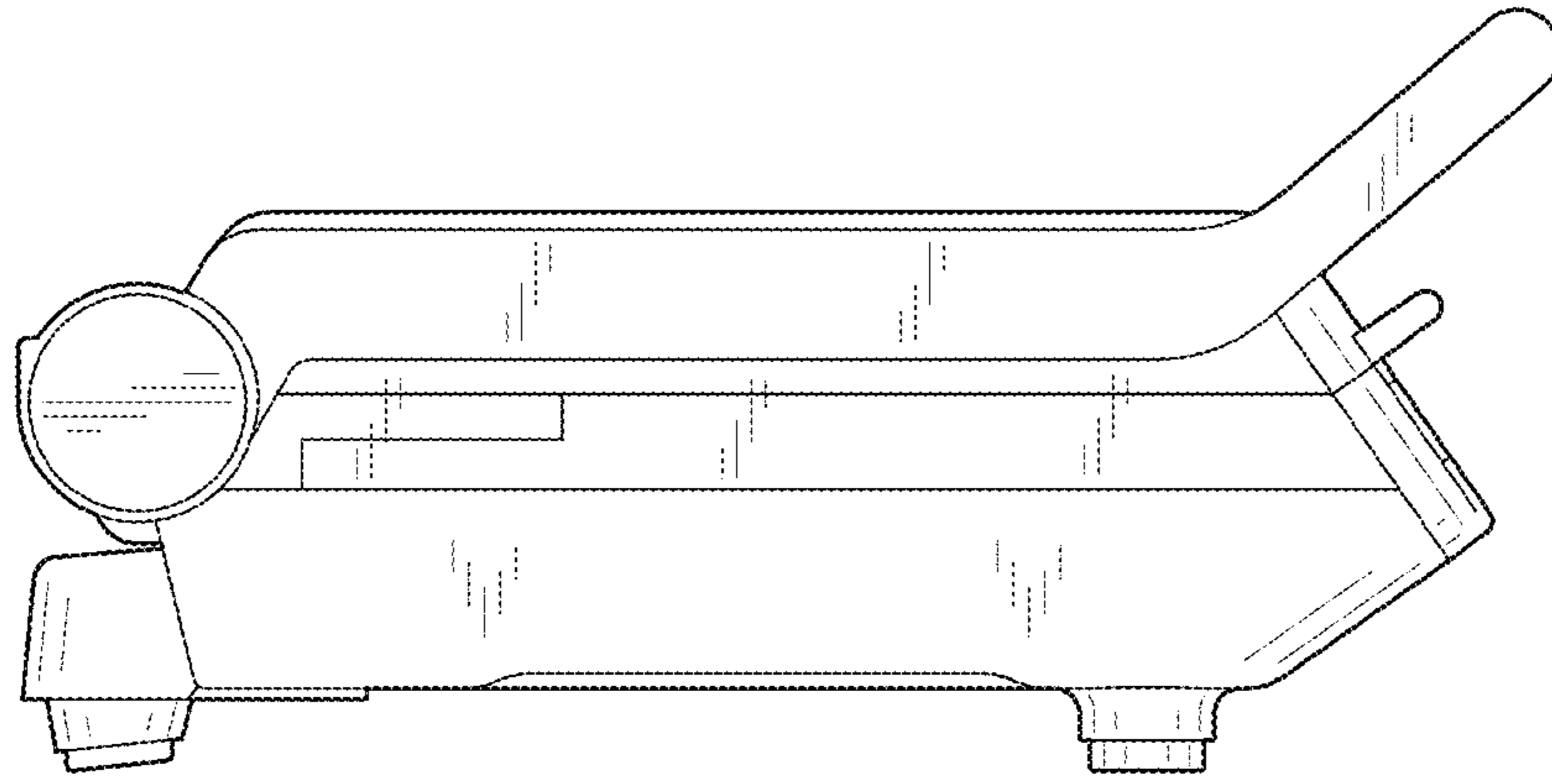


Fig. 3

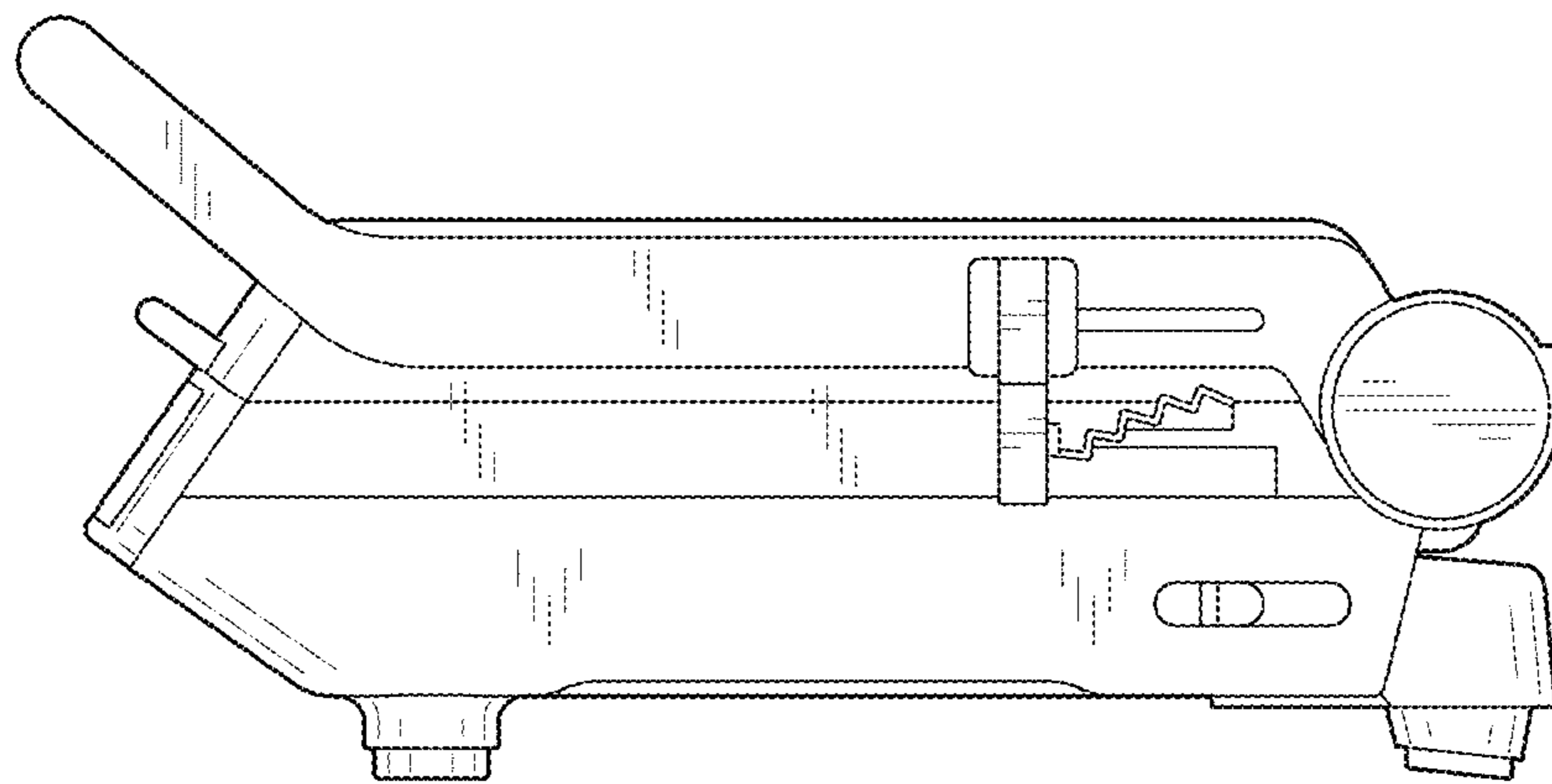


Fig. 4

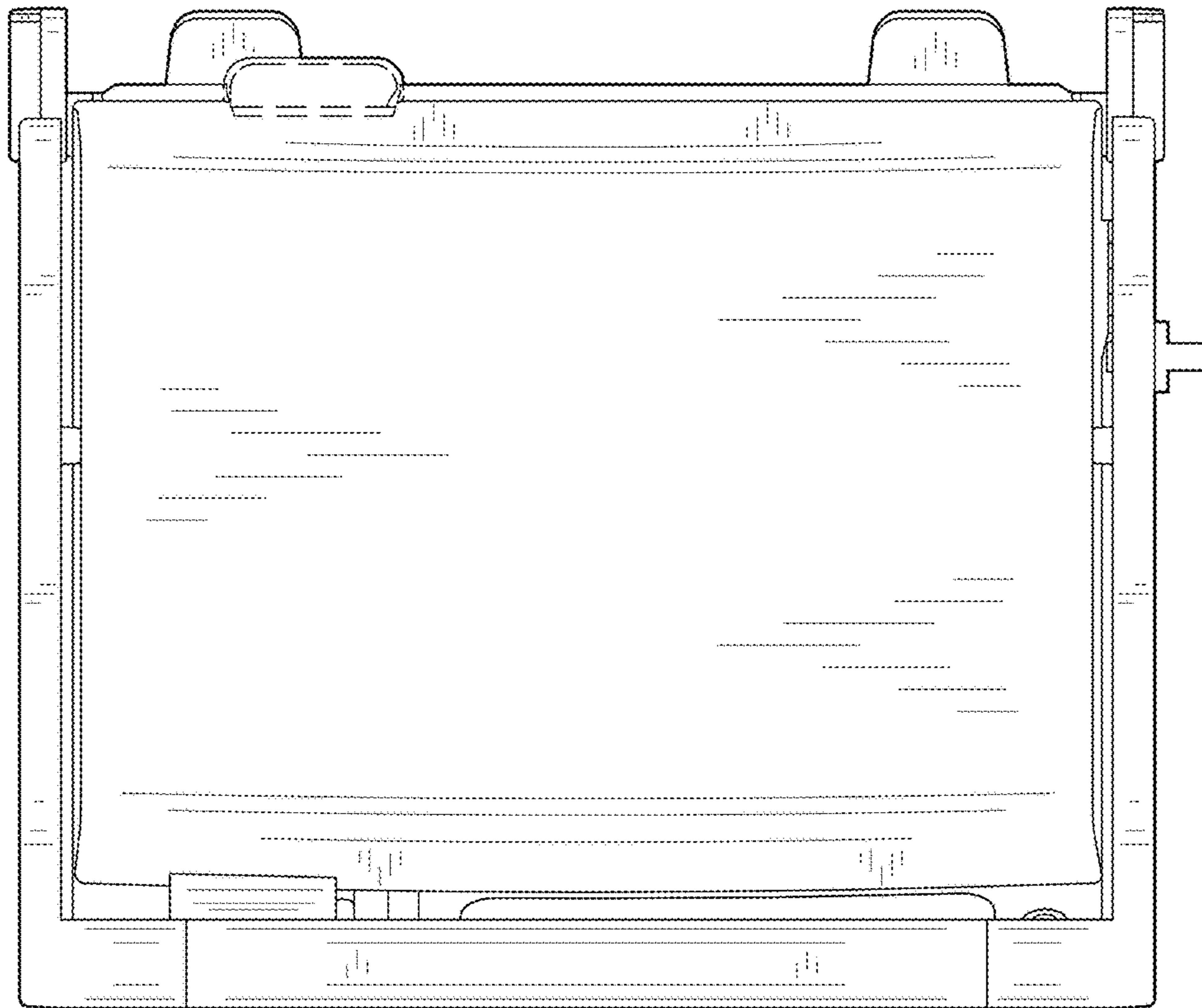


Fig. 5

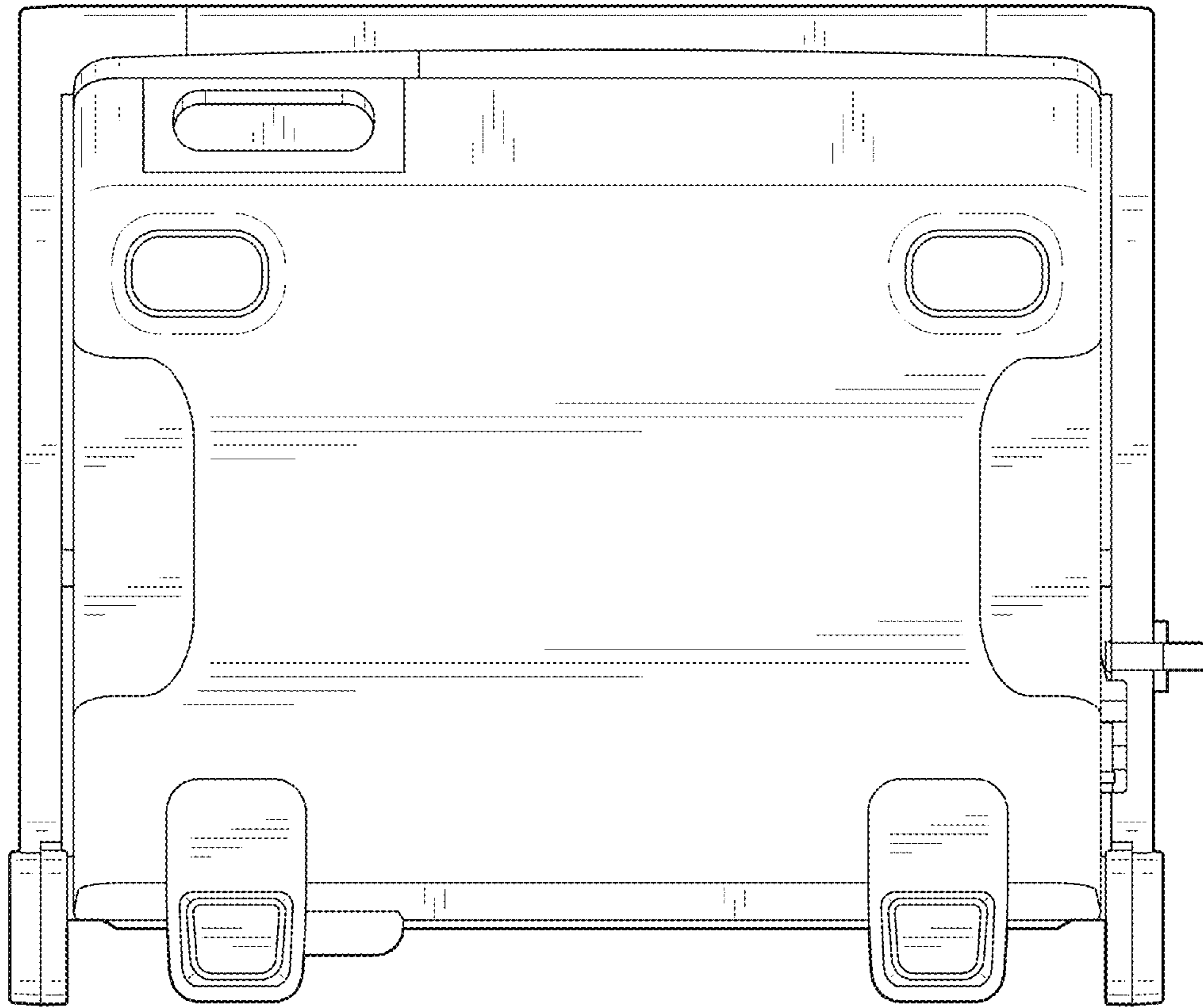


Fig. 6

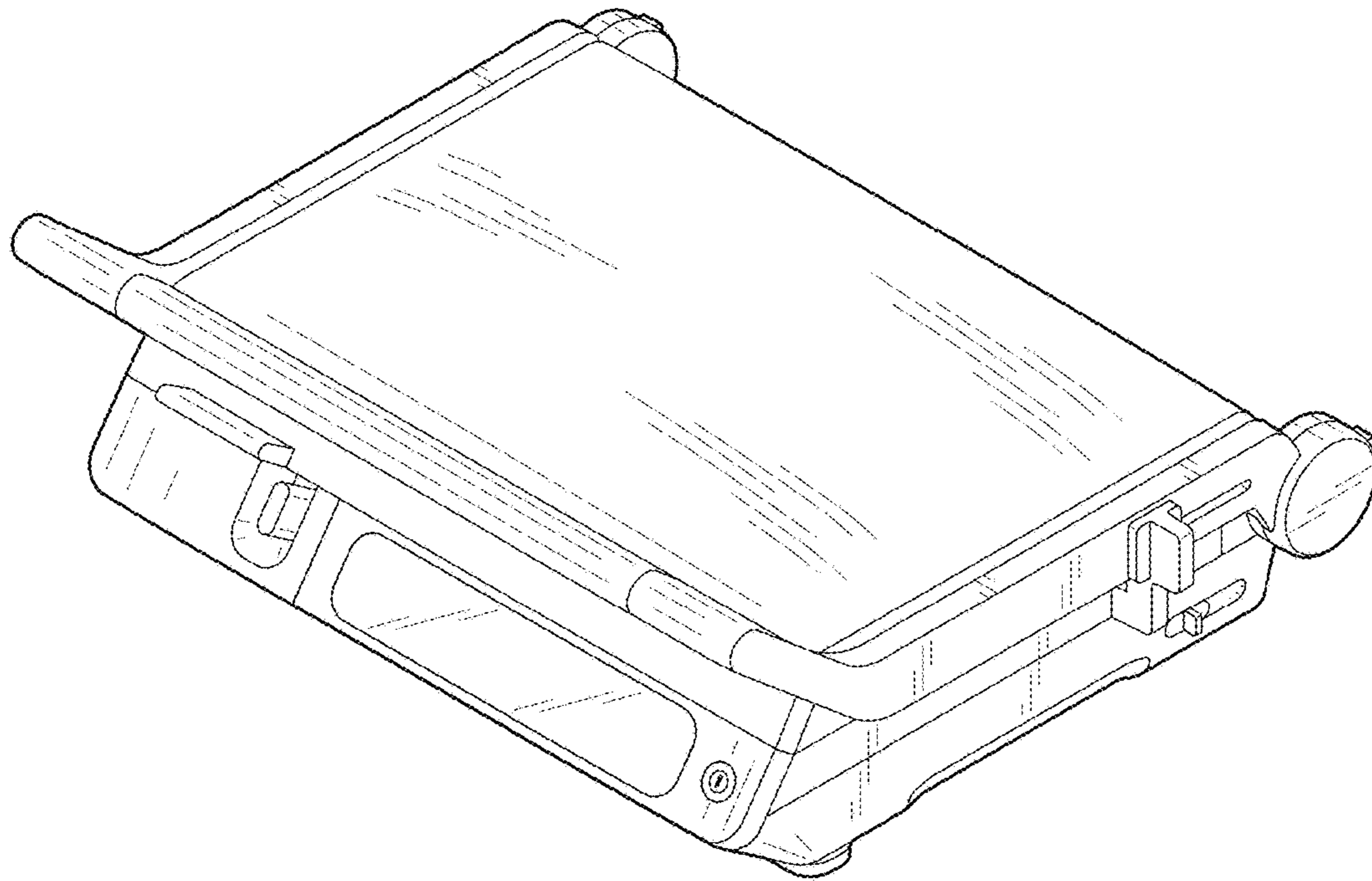


Fig. 7

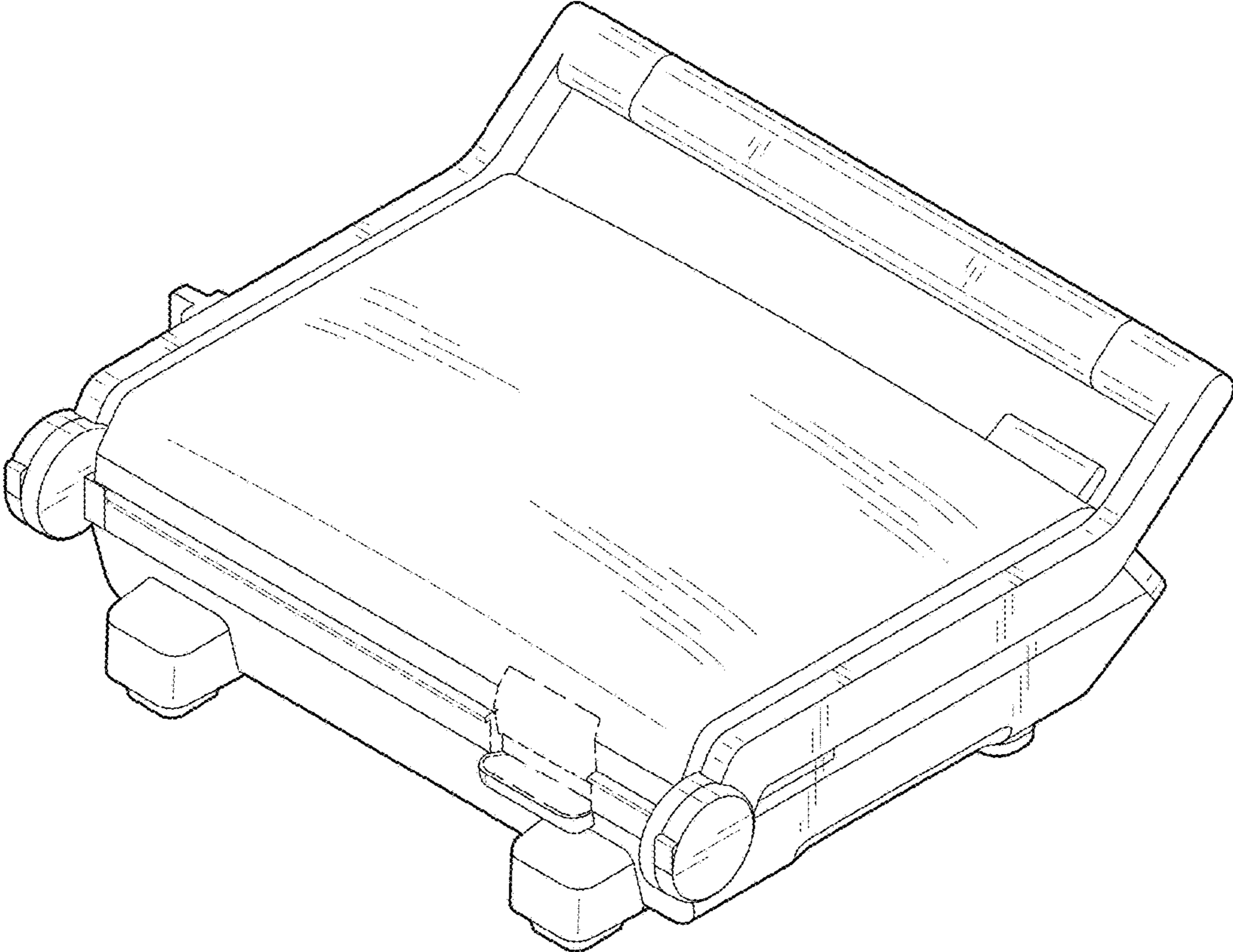


Fig. 8



Fig. 9

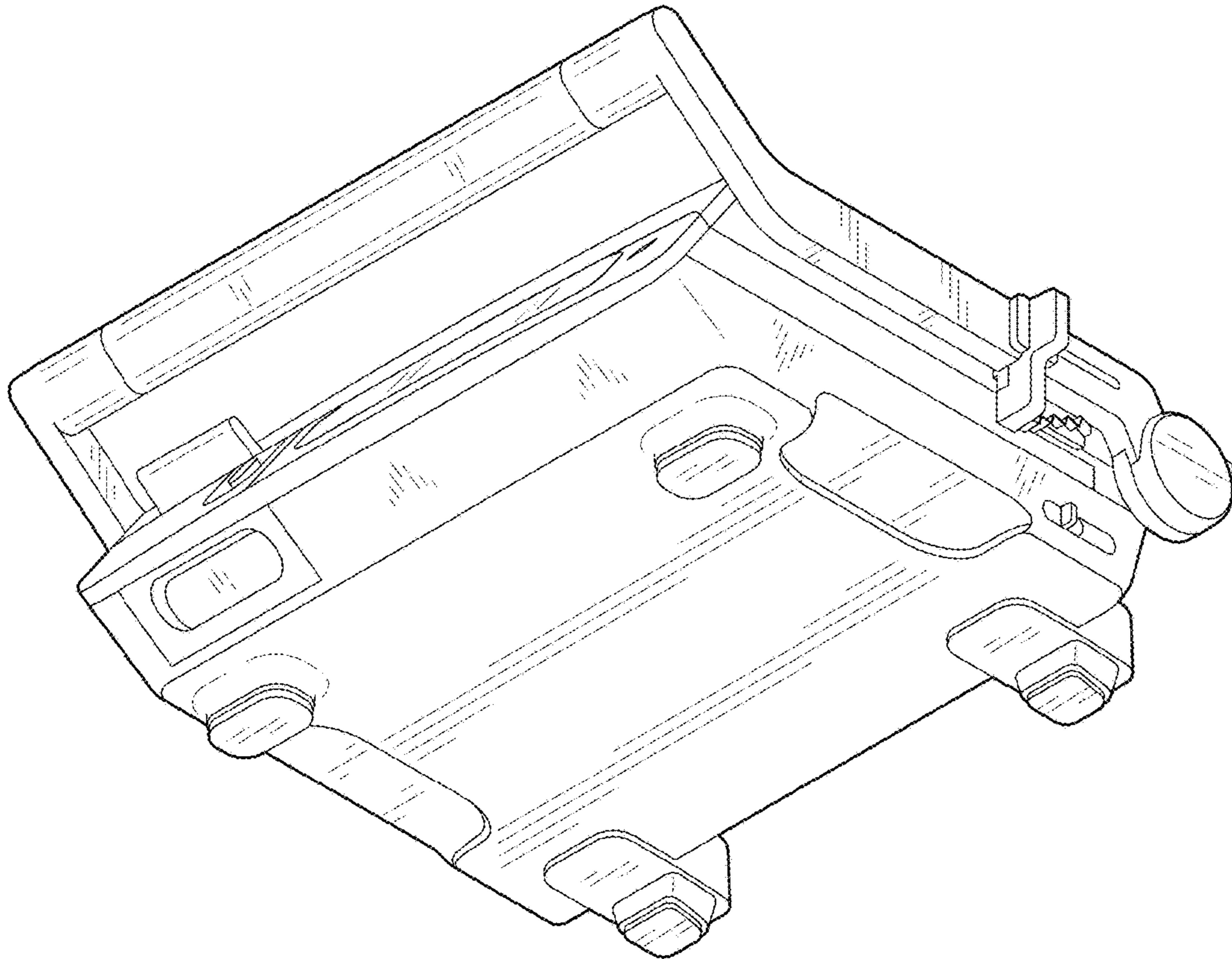


Fig. 10