



US00D817694S

(12) **United States Design Patent**
Kim et al.

(10) **Patent No.:** **US D817,694 S**

(45) **Date of Patent:** **** May 15, 2018**

(54) **OVEN**

(71) Applicant: **LG ELECTRONICS INC.**, Seoul (KR)

(72) Inventors: **Sooyeon Kim**, Seoul (KR); **Miyoung Kim**, Seoul (KR); **Yoonsang Kim**, Seoul (KR); **Songyi Han**, Seoul (KR)

(73) Assignee: **LG Electronics Inc.**, Seoul (KR)

(**) Term: **15 Years**

(21) Appl. No.: **35/502,009**

(22) Filed: **May 30, 2016**

(80) **Hague Agreement Data**

Int. Filing Date: **May 30, 2016**
Int. Reg. No.: **DM/091893**
Int. Reg. Date: **May 30, 2016**
Int. Reg. Pub. Date: **Dec. 2, 2016**

(30) **Foreign Application Priority Data**

Nov. 30, 2015 (KR) 30-2015-0060409

(51) **LOC (11) Cl.** **07-02**

(52) **U.S. Cl.**
USPC **D7/349**
CPC **F24C 15/12** (2013.01)

(58) **Field of Classification Search**

USPC D7/339-347, 362-397, 402-409
CPC F24C 15/107; F24C 15/12; F24C 15/36;
F24C 3/08; F24C 3/082; F24C 3/085;
F24C 7/067; F24C 7/062; F24C 7/082;
F24C 7/081; A47J 37/0709

See application file for complete search history.

(56) **References Cited**

U.S. PATENT DOCUMENTS

D521,317 S * 5/2006 Hessen D7/340
D623,889 S * 9/2010 Kim D7/340

D710,645 S * 8/2014 Kim D7/340
D755,007 S * 5/2016 Lee D7/405
D778,670 S * 2/2017 Lee D7/405
D785,398 S * 5/2017 Kim D7/340
D786,006 S * 5/2017 Chung D7/340
D786,609 S * 5/2017 Cho D7/339
D787,254 S * 5/2017 Cho D7/339
D788,513 S * 6/2017 Chung D7/323
D789,729 S * 6/2017 Lee D7/340
D793,149 S * 8/2017 Lee D7/323
2004/0177840 A1 * 9/2004 Brock F24C 3/087
126/39 R
2014/0251158 A1 * 9/2014 Yang A47J 27/04
99/341
2015/0027429 A1 * 1/2015 Nelson F24C 15/023
126/19 R
2015/0179042 A1 * 6/2015 Jeong F24C 3/12
340/584

* cited by examiner

Primary Examiner — Richard E Chilcot

(74) *Attorney, Agent, or Firm* — Birch, Stewart, Kolasch & Birch, LLP

(57) **CLAIM**

The ornamental design for an oven, as shown and described.

DESCRIPTION

1. Oven

1.1 is a perspective view of an oven showing our new design;

1.2 is a front elevation view thereof;

1.3 is a rear elevation view thereof;

1.4 is a left-side elevation view thereof;

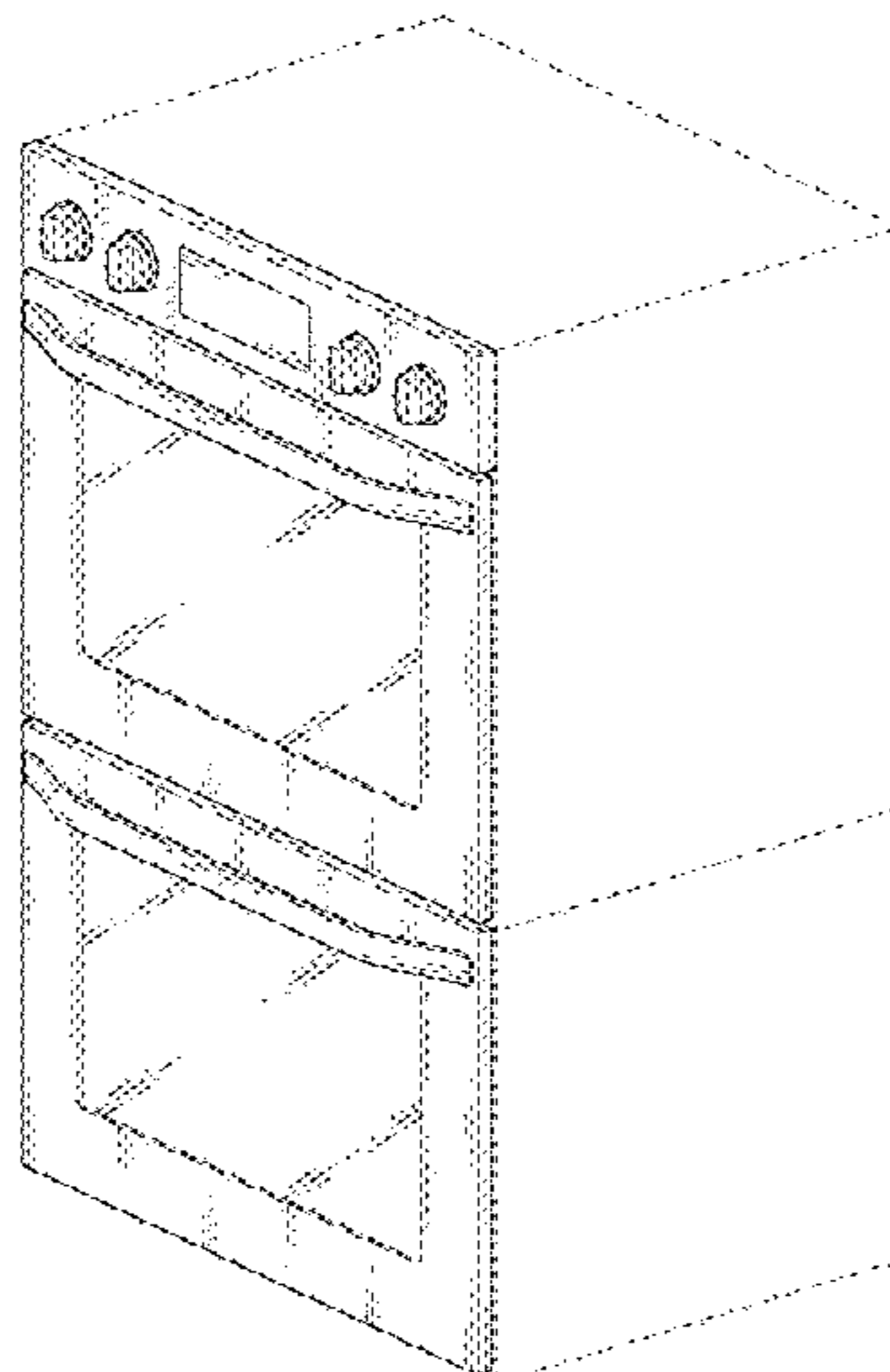
1.5 is a right-side elevation view thereof;

1.6 is a top plan view thereof; and

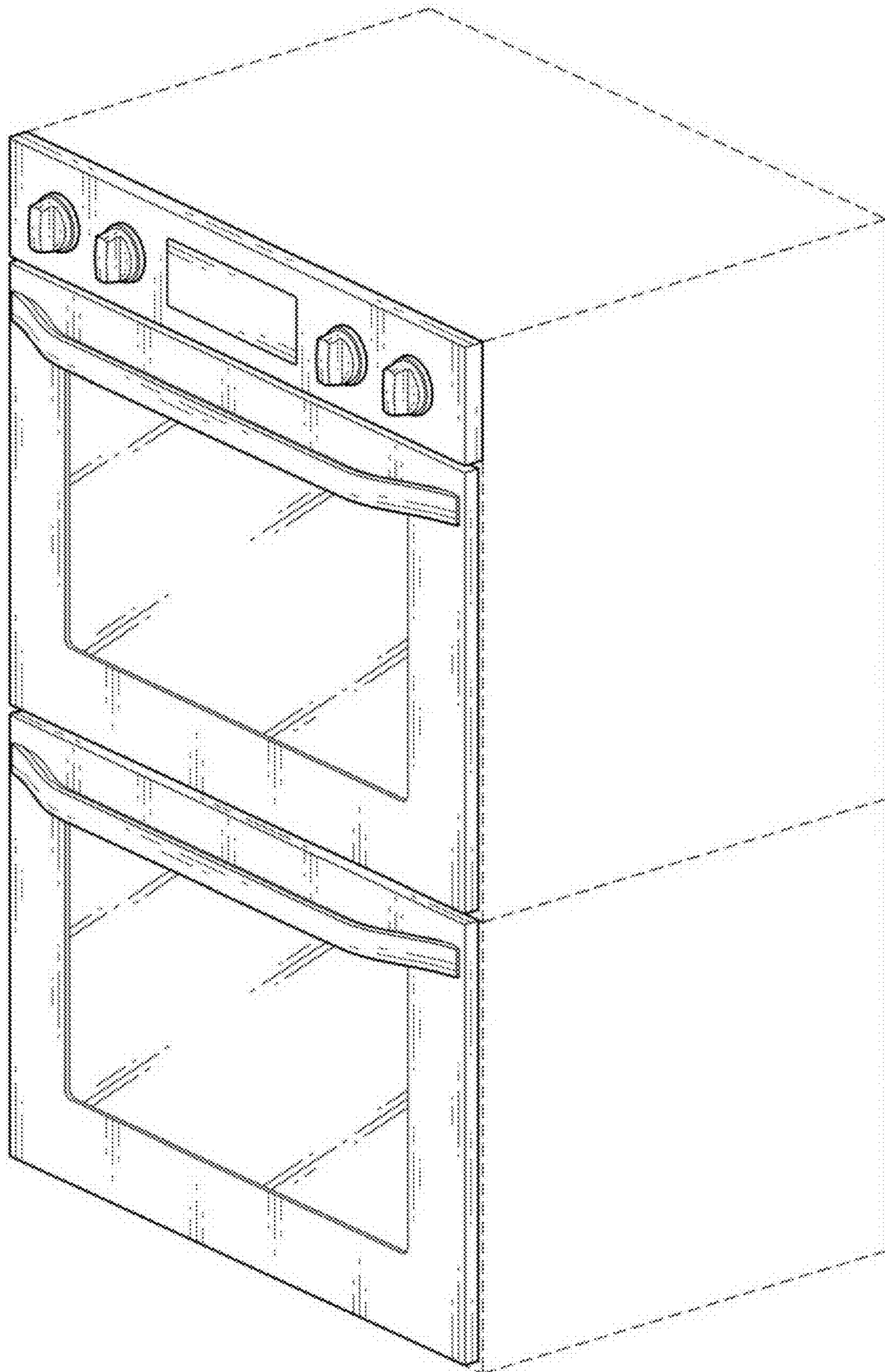
1.7 is a bottom plan view thereof.

The broken lines in the drawing figures are included for the purpose of illustrating environment and form no part of the claimed design.

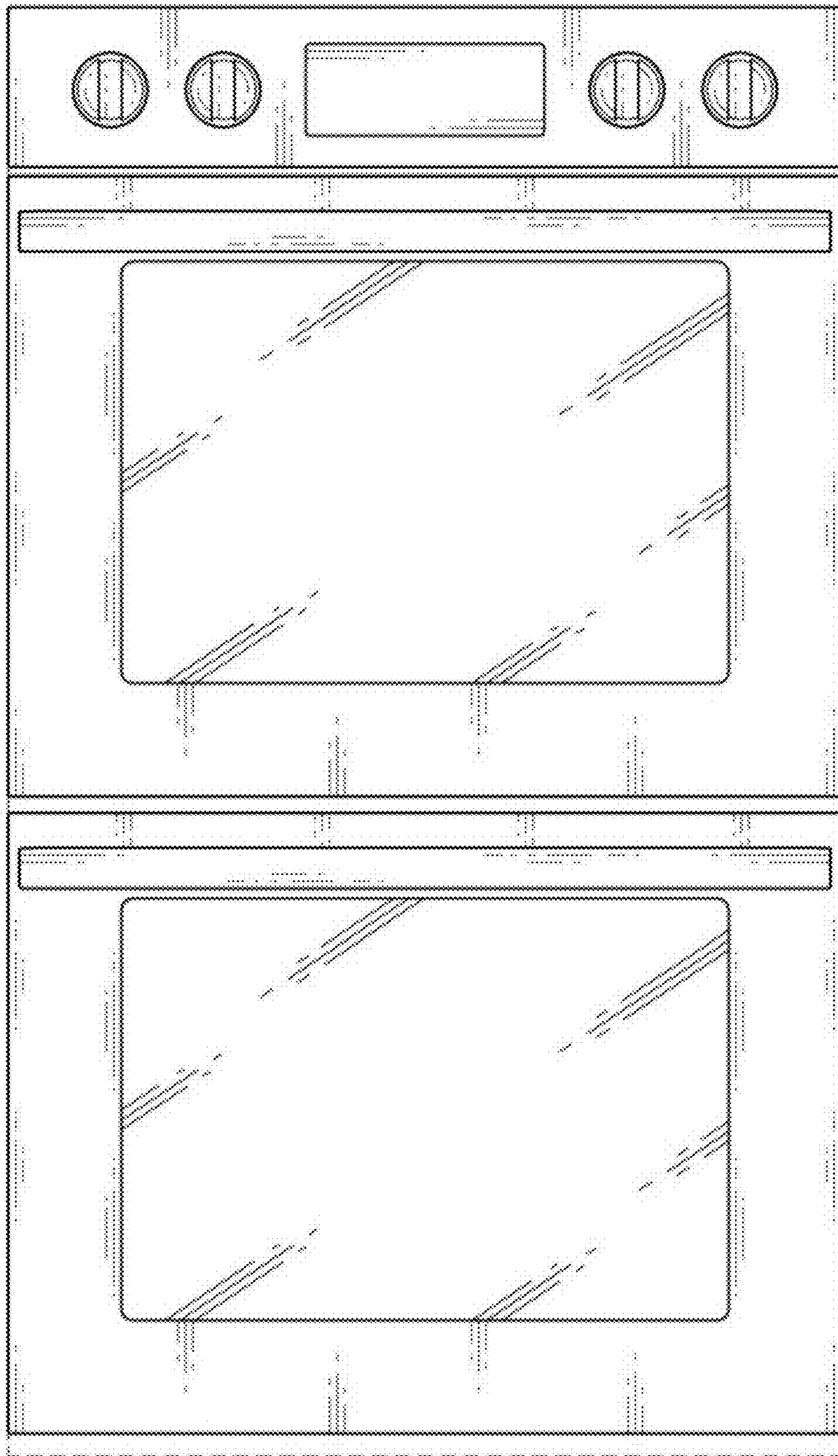
1 Claim, 7 Drawing Sheets



1.1



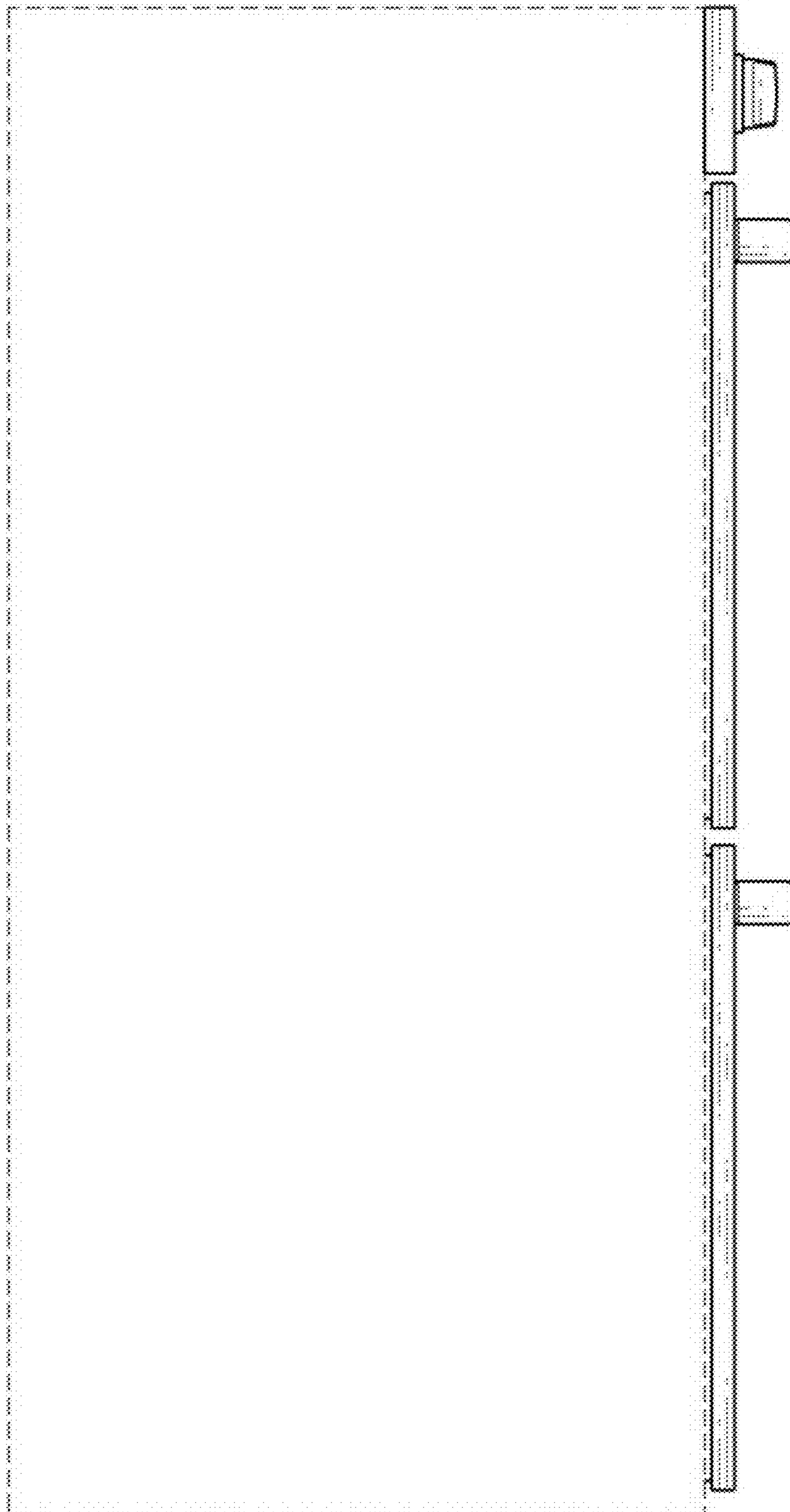
1.2



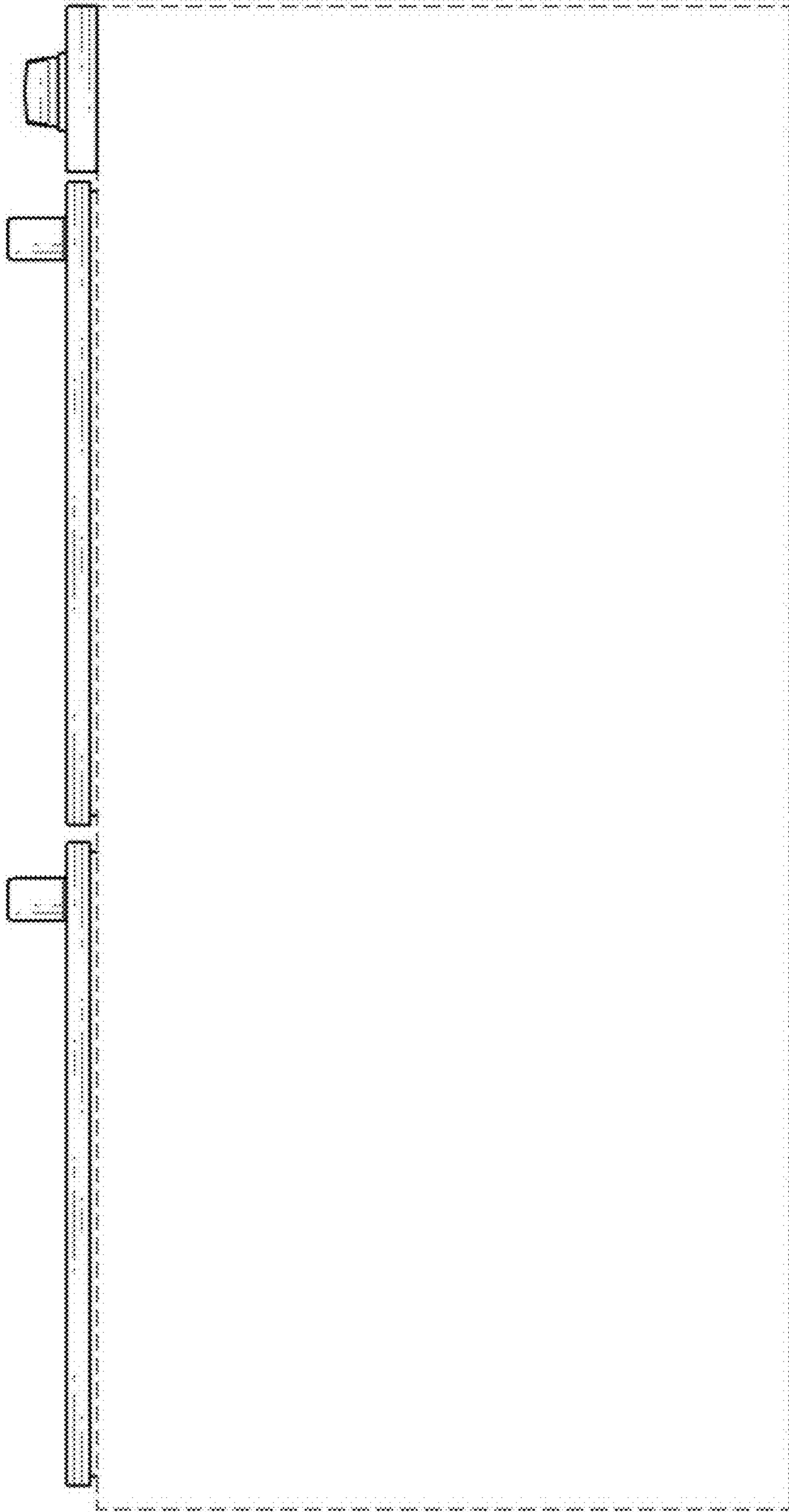
1.3



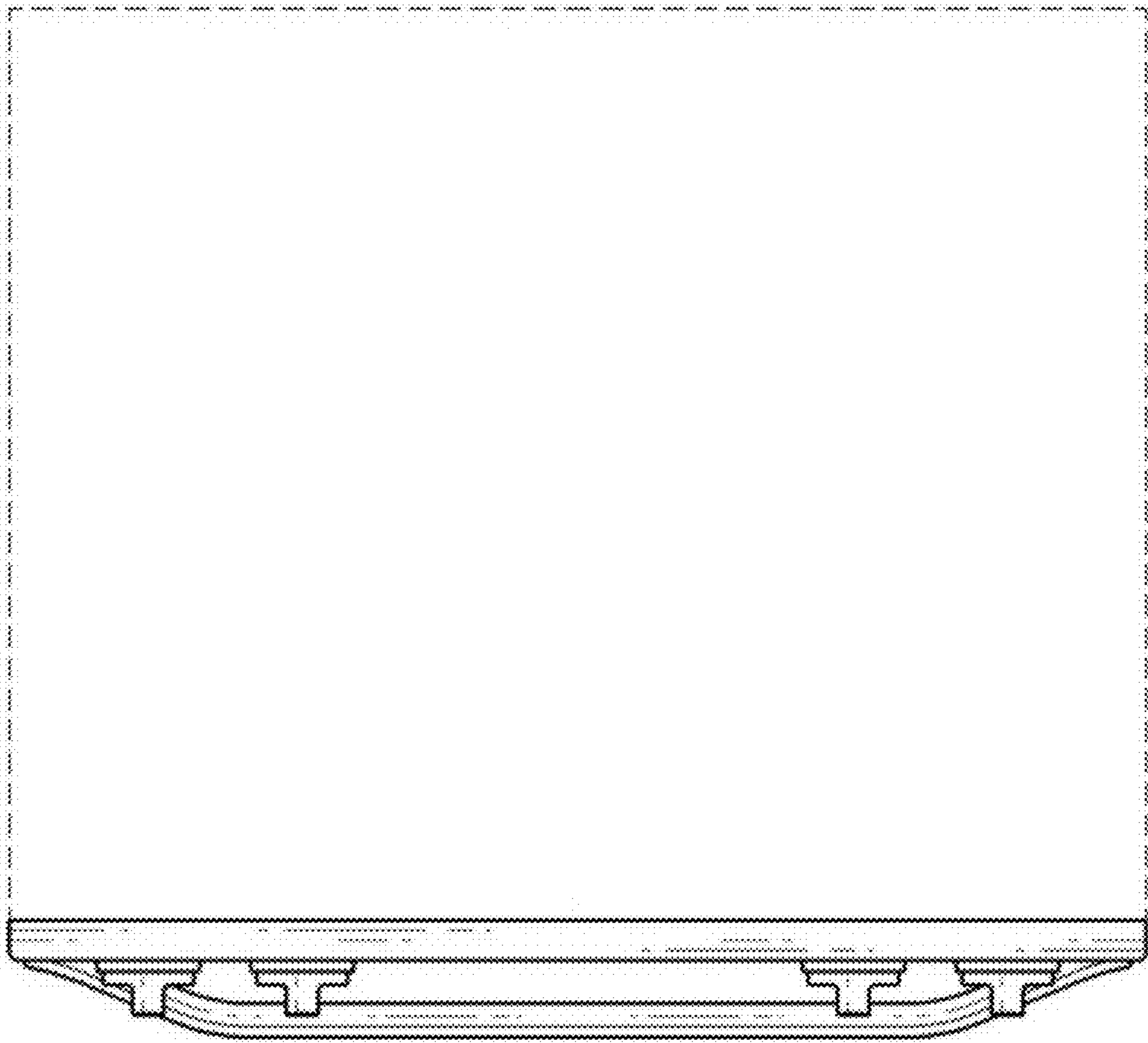
1.4



1.5



1.6



1.7

