



US00D817691S

(12) **United States Design Patent**
Kim et al.

(10) **Patent No.:** **US D817,691 S**

(45) **Date of Patent:** **** May 15, 2018**

(54) **GAS COOKTOP**

(71) Applicant: **LG ELECTRONICS INC.**, Seoul (KR)

(72) Inventors: **Sooyeon Kim**, Seoul (KR); **Miyoung Kim**, Seoul (KR); **Yoonsang Kim**, Seoul (KR); **Songyi Han**, Seoul (KR)

(73) Assignee: **LG Electronics Inc.**, Seoul (KR)

(**) Term: **15 Years**

(21) Appl. No.: **35/501,990**

(22) Filed: **May 30, 2016**

(80) **Hague Agreement Data**

Int. Filing Date: **May 30, 2016**

Int. Reg. No.: **DM/091078**

Int. Reg. Date: **May 30, 2016**

Int. Reg. Pub. Date: **Dec. 2, 2016**

(30) **Foreign Application Priority Data**

Nov. 30, 2015 (KR) 30-2015-0060468

(51) **LOC (11) Cl.** **07-02**

(52) **U.S. Cl.**
USPC **D7/346**
CPC **F24C 15/12** (2013.01)

(58) **Field of Classification Search**

USPC D7/339-347, 362, 402-407
CPC F24C 15/107; F24C 15/12; F24C 15/36;
F24C 3/08; F24C 3/082; F24C 3/085;
F24C 7/067; F24C 7/062; F24C 7/082;
F24C 7/081; A47J 37/0709

See application file for complete search history.

(56) **References Cited**

U.S. PATENT DOCUMENTS

D477,177 S * 7/2003 Jeong D7/340
D530,972 S * 10/2006 Park D7/340

D557,069 S *	12/2007	Shin	D7/408
D560,955 S *	2/2008	Shin	D7/340
D610,863 S *	3/2010	Kim	D7/340
D628,431 S *	12/2010	Funnell	D7/346
D629,638 S *	12/2010	Funnell	D7/346
D634,579 S *	3/2011	Funnell, II	D7/346
D634,580 S *	3/2011	Funnell, II	D7/346
D642,417 S *	8/2011	Kim	D7/340
D653,900 S *	2/2012	Kim	D7/340
D655,128 S *	3/2012	Kim	D7/340
D680,809 S *	4/2013	Kim	D7/402
D684,424 S *	6/2013	Funnell	D7/408
D697,358 S *	1/2014	Kim	D7/340
D703,484 S *	4/2014	Boo	D7/408
D704,508 S *	5/2014	Nordwall	D7/346
D731,845 S *	6/2015	Kim	D7/340
D736,553 S *	8/2015	Funnell, II	D7/339
D764,220 S *	8/2016	Kim	D7/339
D781,096 S *	3/2017	Kim	D7/339
D782,872 S *	4/2017	Cho	D7/406
D785,398 S *	5/2017	Kim	D7/340
D786,005 S *	5/2017	Kim	D7/340
D786,006 S *	5/2017	Chung	D7/340
D786,608 S *	5/2017	Cho	D7/339

(Continued)

Primary Examiner — Richard E Chilcot

(74) *Attorney, Agent, or Firm* — Birch, Stewart, Kolasch & Birch, LLP

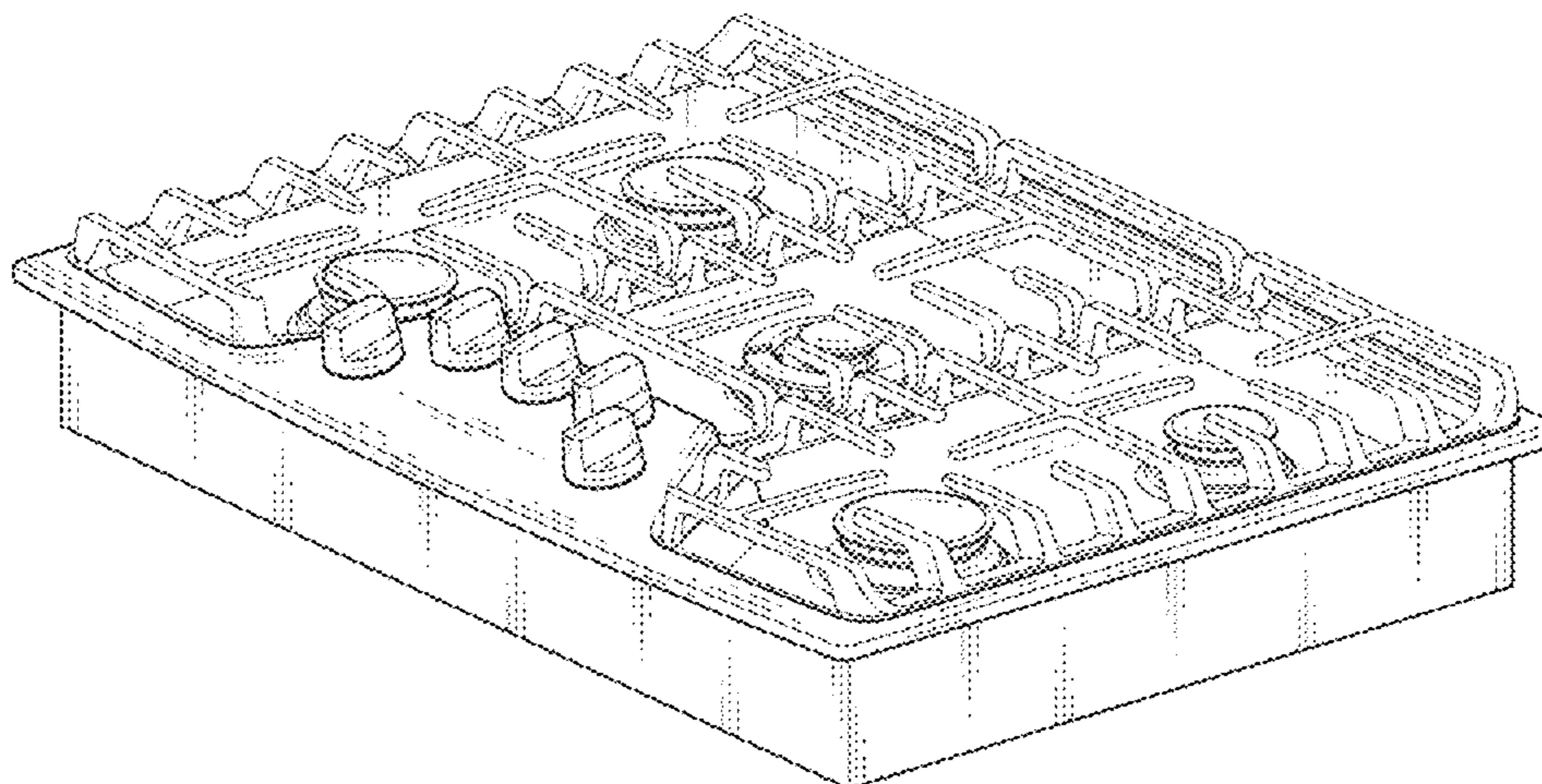
(57) **CLAIM**

The ornamental design for a gas cooktop, as shown and described.

DESCRIPTION

1. Gas cooktop
- 1.1 is a perspective view of a gas cooktop showing our new design;
- 1.2 is a front elevation view thereof;
- 1.3 is a rear elevation view thereof;
- 1.4 is a left-side elevation view thereof;
- 1.5 is a right-side elevation view thereof;
- 1.6 is a top plan view thereof; and
- 1.7 is a bottom plan view thereof.

1 Claim, 7 Drawing Sheets



(56)

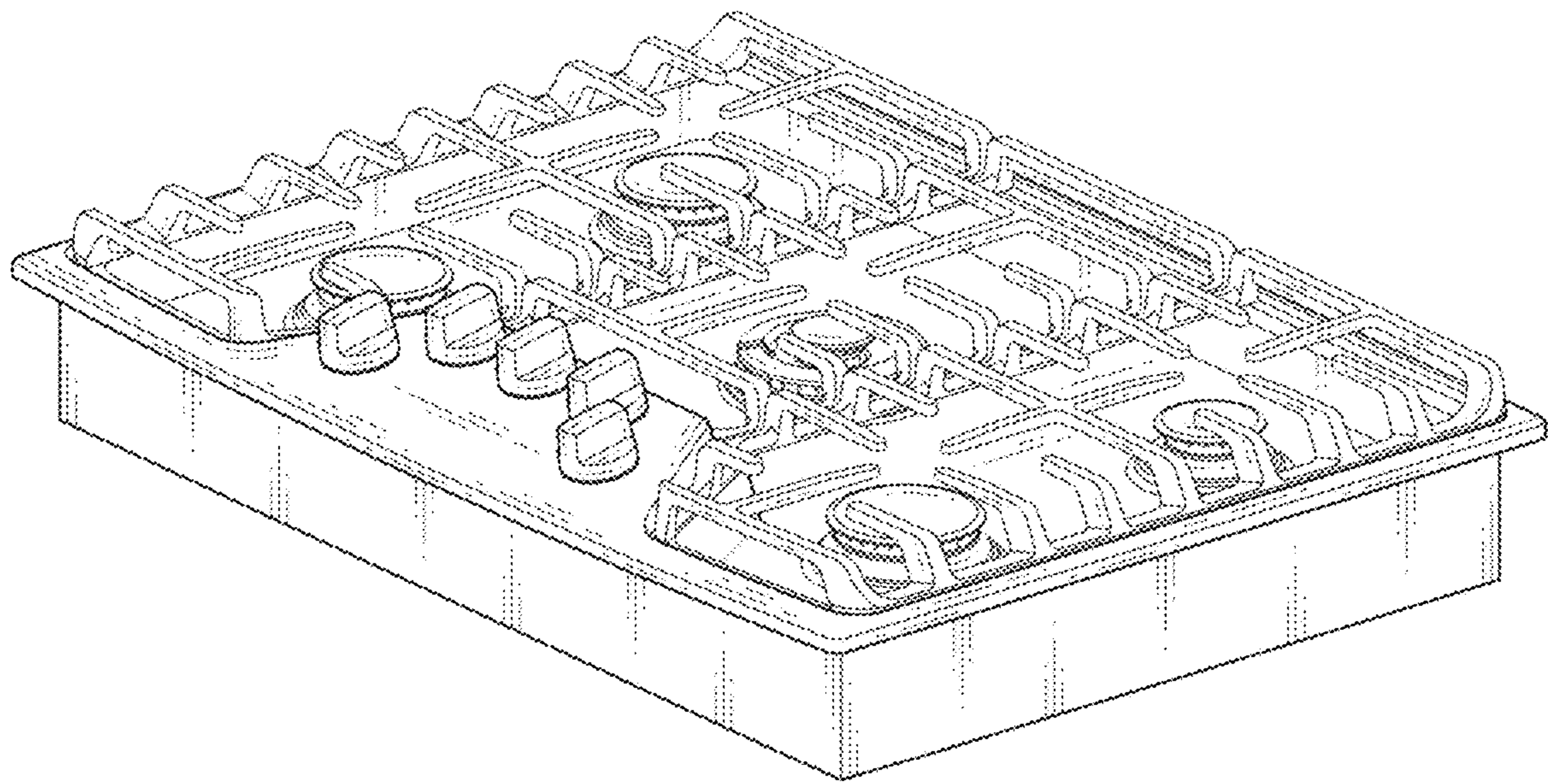
References Cited

U.S. PATENT DOCUMENTS

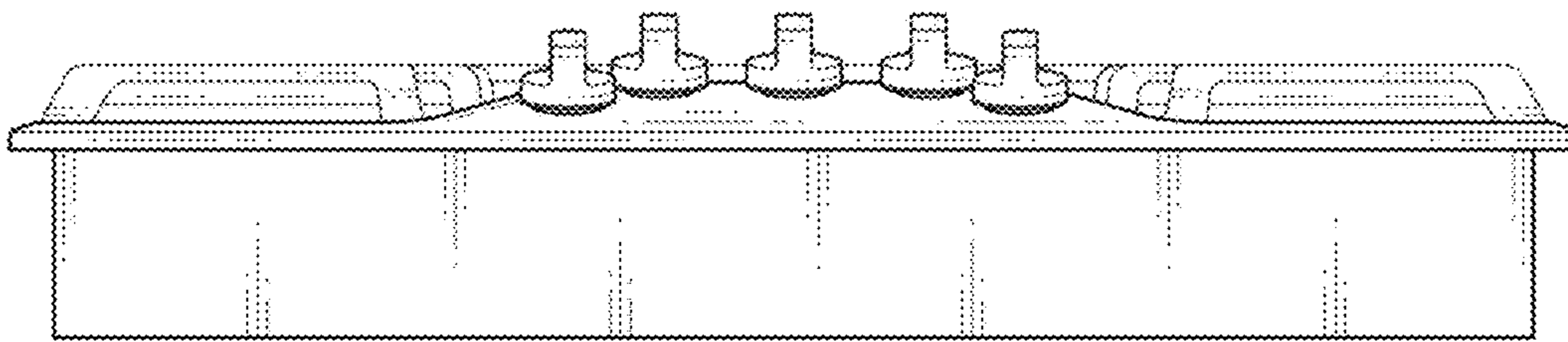
D786,609 S *	5/2017	Cho	D7/339
D787,255 S *	5/2017	Cho	D7/339
D787,256 S *	5/2017	Cho	D7/339
D789,729 S *	6/2017	Lee	D7/340
9,696,040 B2 *	7/2017	Yoon	F24C 3/124
D793,160 S *	8/2017	Cho	D7/408

* cited by examiner

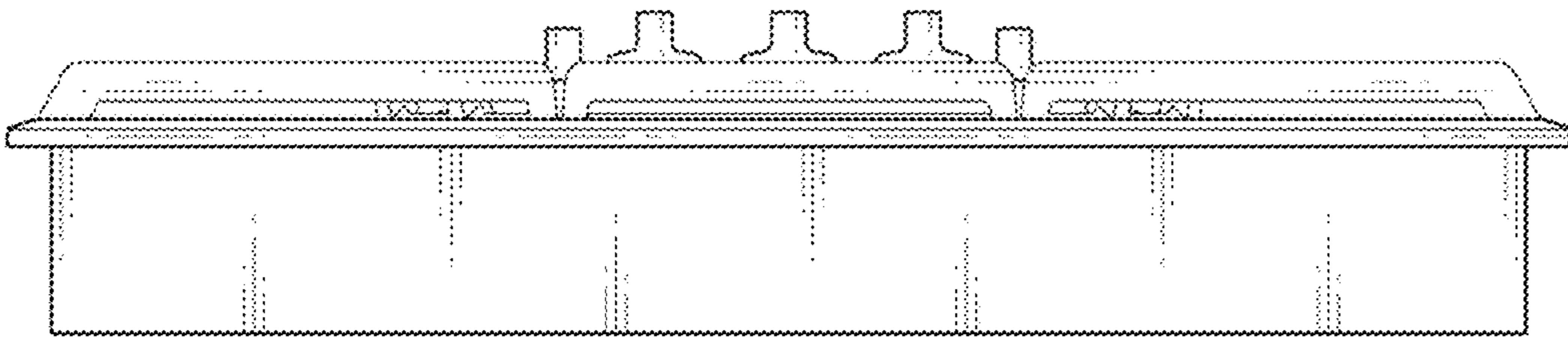
1.1



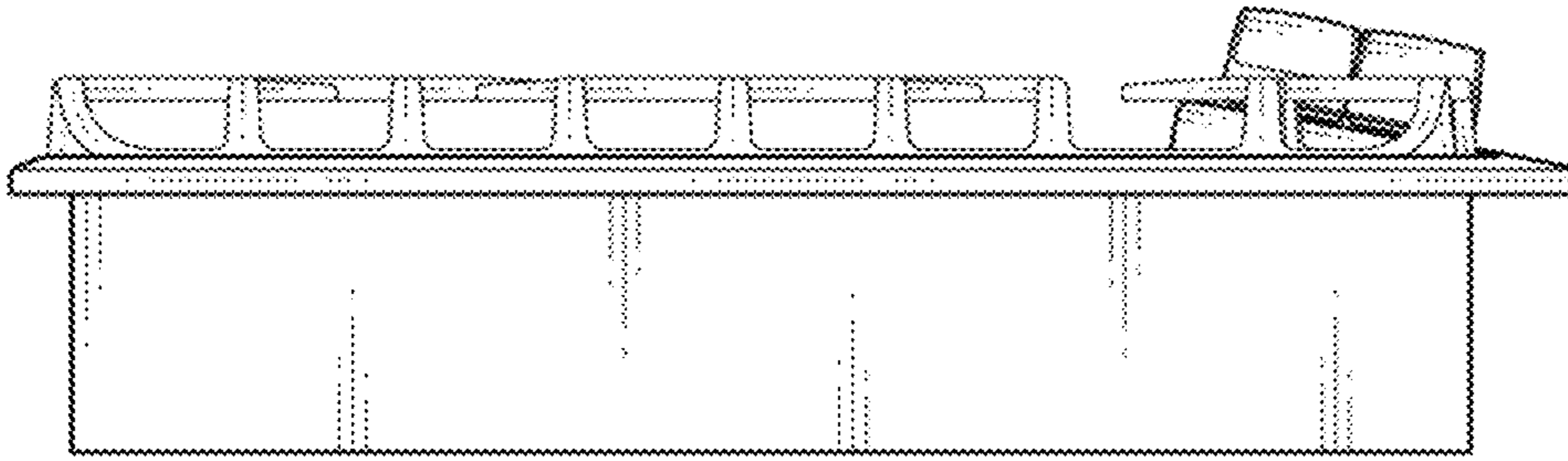
1.2



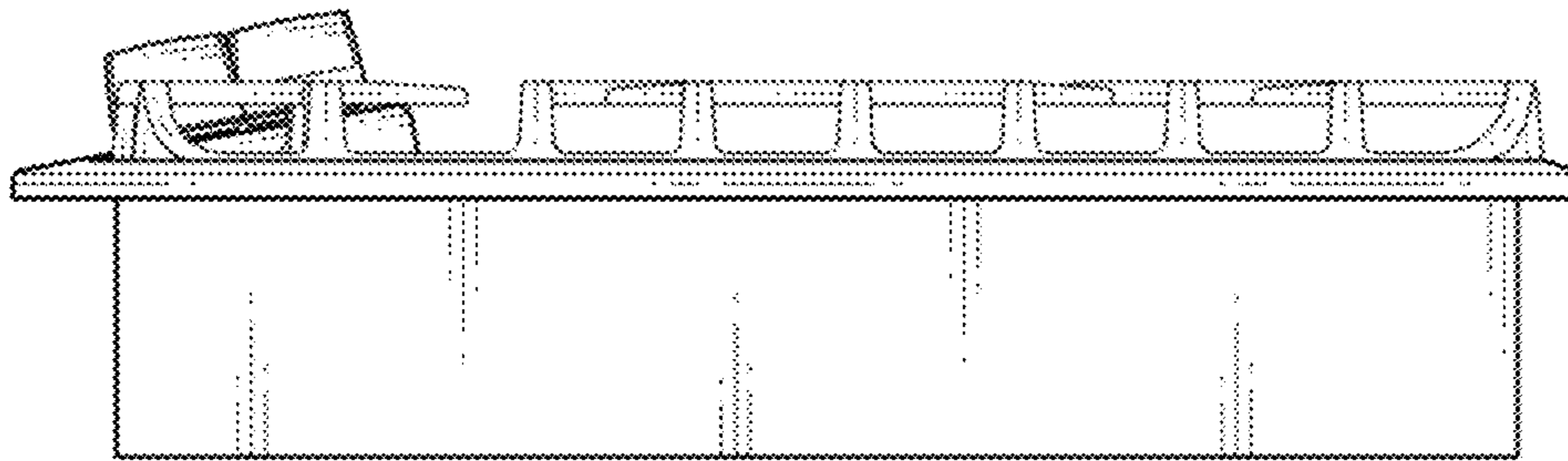
1.3



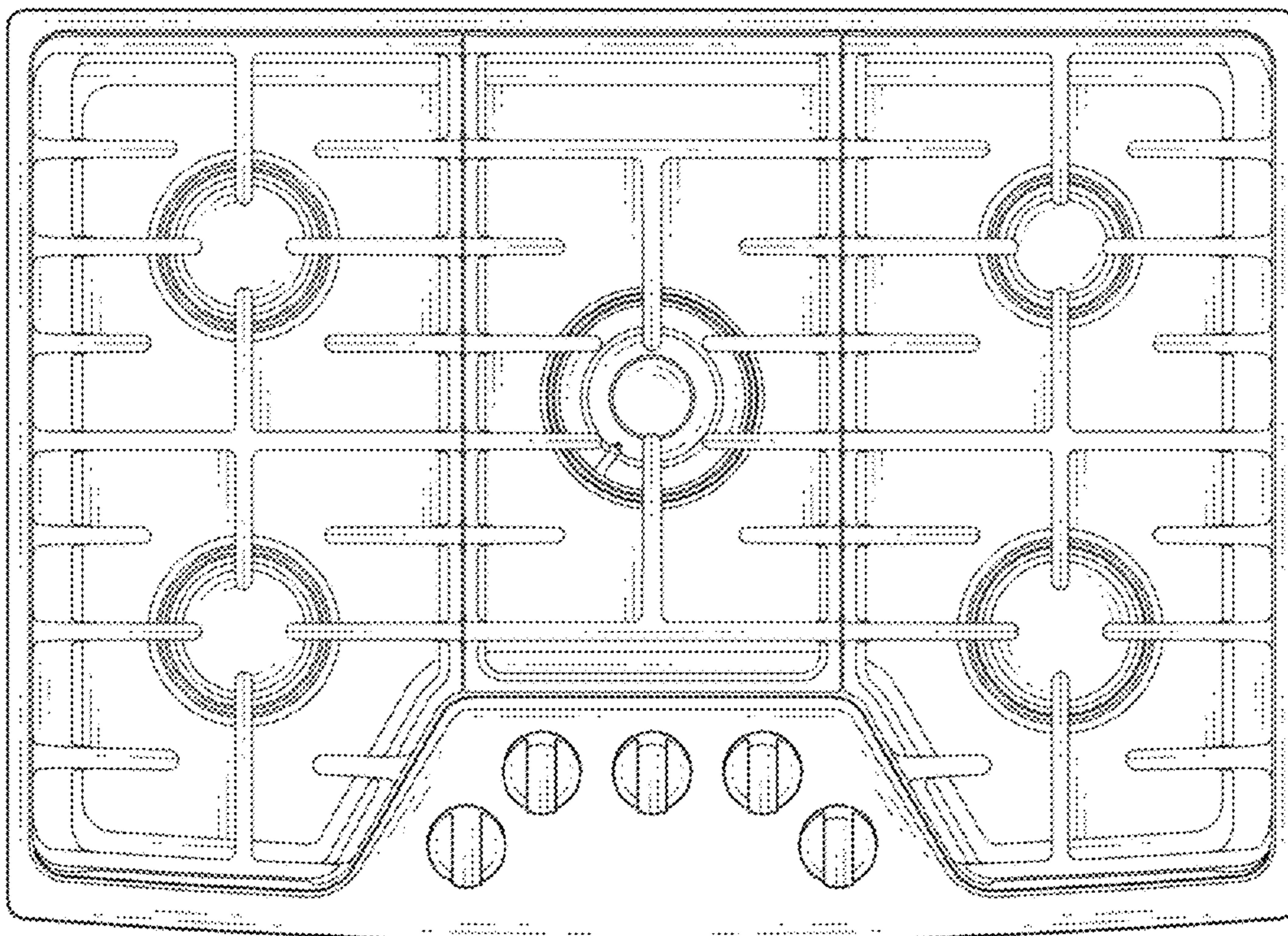
1.4



1.5



1.6



1.7

