



US00D817688S

(12) **United States Design Patent**  
**Kim et al.**

(10) **Patent No.:** **US D817,688 S**

(45) **Date of Patent:** **\*\* May 15, 2018**

(54) **GAS INDUCTION OVEN RANGE**

(71) Applicant: **LG ELECTRONICS INC.**, Seoul (KR)

(72) Inventors: **Sooyeon Kim**, Seoul (KR); **Hanjin Jung**, Seoul (KR); **Miyoung Kim**, Seoul (KR); **Songyi Han**, Seoul (KR); **Inhwan Ryu**, Seoul (KR)

(73) Assignee: **LG Electronics Inc.**, Seoul (KR)

(\*\*) Term: **15 Years**

(21) Appl. No.: **35/501,987**

(22) Filed: **May 30, 2016**

(80) **Hague Agreement Data**  
 Int. Filing Date: **May 30, 2016**  
 Int. Reg. No.: **DM/091035**  
 Int. Reg. Date: **May 30, 2016**  
 Int. Reg. Pub. Date: **Dec. 2, 2016**

D486,034 S \* 2/2004 Nichols ..... D7/346  
 D486,349 S \* 2/2004 Nichols ..... D7/340  
 D486,350 S \* 2/2004 Nichols ..... D7/346  
 D530,972 S \* 10/2006 Park ..... D7/340  
 D557,069 S \* 12/2007 Shin ..... D7/408  
 D560,955 S \* 2/2008 Shin ..... D7/340  
 D563,714 S \* 3/2008 Sadtler ..... D7/340  
 D610,863 S \* 3/2010 Kim ..... D7/340  
 D614,915 S \* 5/2010 Schnitman ..... D7/409  
 D628,431 S \* 12/2010 Funnell ..... D7/346  
 D629,638 S \* 12/2010 Funnell ..... D7/346  
 D634,579 S \* 3/2011 Funnell, II ..... D7/346  
 D634,580 S \* 3/2011 Funnell, II ..... D7/346  
 D642,417 S \* 8/2011 Kim ..... D7/340  
 D653,900 S \* 2/2012 Kim ..... D7/340  
 D655,128 S \* 3/2012 Kim ..... D7/340  
 D680,809 S \* 4/2013 Kim ..... D7/402  
 D684,424 S \* 6/2013 Funnell ..... D7/408  
 D697,358 S \* 1/2014 Kim ..... D7/340  
 D703,484 S \* 4/2014 Boo ..... D7/408  
 D704,508 S \* 5/2014 Nordwall ..... D7/346  
 D731,845 S \* 6/2015 Kim ..... D7/340  
 D736,553 S \* 8/2015 Funnell, II ..... D7/339

(Continued)

Primary Examiner — Richard E Chilcot

(74) Attorney, Agent, or Firm — Birch, Stewart, Kolasch & Birch, LLP

(30) **Foreign Application Priority Data**  
 Nov. 30, 2015 (KR) ..... 30-2015-0060391

(51) **LOC (11) Cl.** ..... **07-02**

(52) **U.S. Cl.**  
 USPC ..... **D7/340**  
 CPC ..... **F24C 15/12** (2013.01)

(58) **Field of Classification Search**  
 USPC ..... D7/339–347, 362–397, 402–409  
 CPC ..... F24C 15/107; F24C 15/12; F24C 15/36;  
 F24C 3/08; F24C 3/082; F24C 3/085;  
 F24C 7/067; F24C 7/062; F24C 7/082;  
 F24C 7/081; A47J 37/0709  
 See application file for complete search history.

(57) **CLAIM**

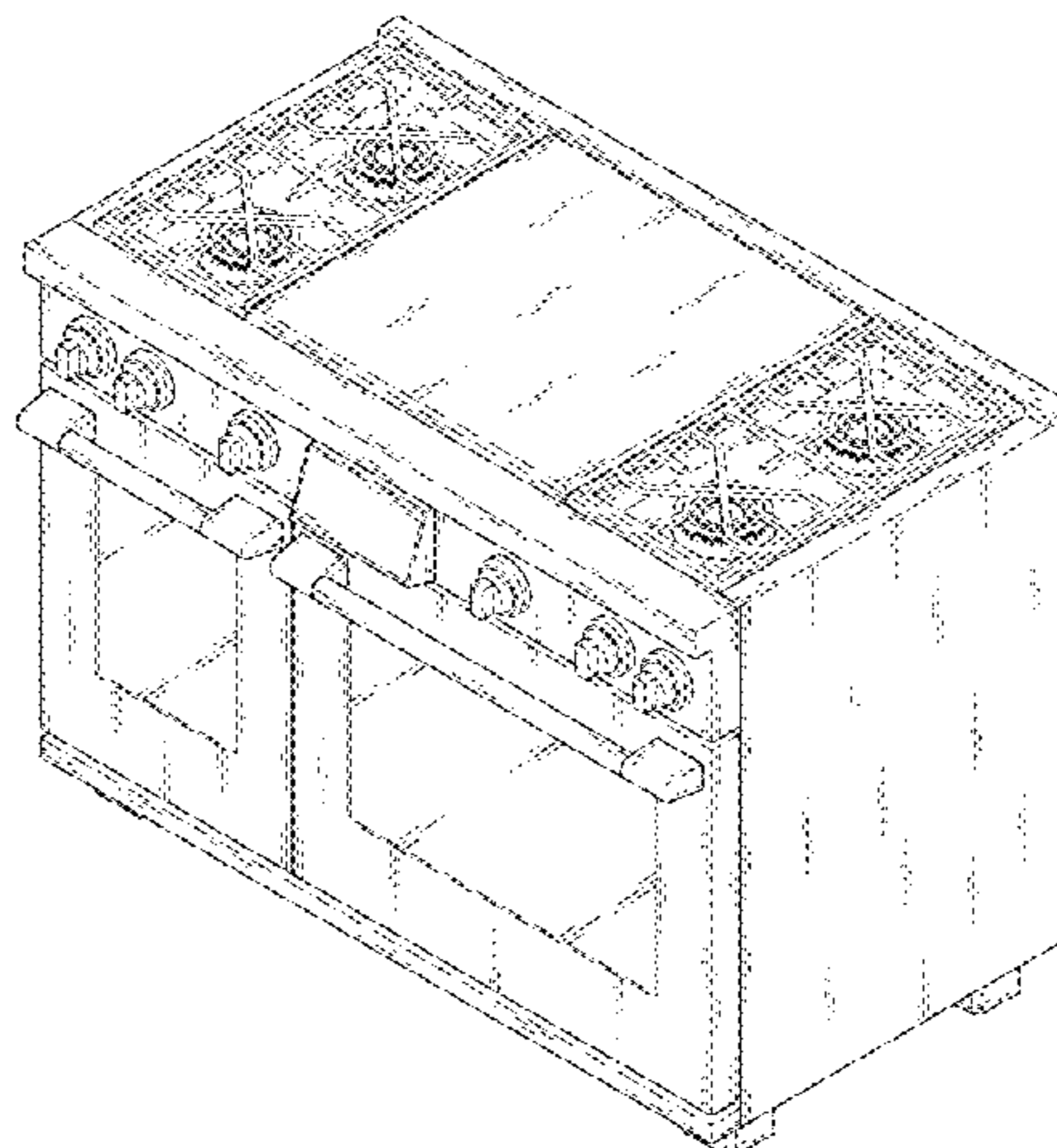
The ornamental design for a gas induction oven range, as shown and described.

**DESCRIPTION**

1. Gas induction oven range
- 1.1 is a perspective view of a gas induction oven range showing our new design;
- 1.2 is a front elevation view thereof;
- 1.3 is a rear elevation view thereof;
- 1.4 is a left-side elevation view thereof;
- 1.5 is a right-side elevation view thereof;
- 1.6 is a top plan view thereof; and
- 1.7 is a bottom plan view thereof.

(56) **References Cited**  
 U.S. PATENT DOCUMENTS  
 D475,569 S \* 6/2003 Nichols ..... D7/340  
 D477,177 S \* 7/2003 Jeong ..... D7/340

**1 Claim, 7 Drawing Sheets**



(56)

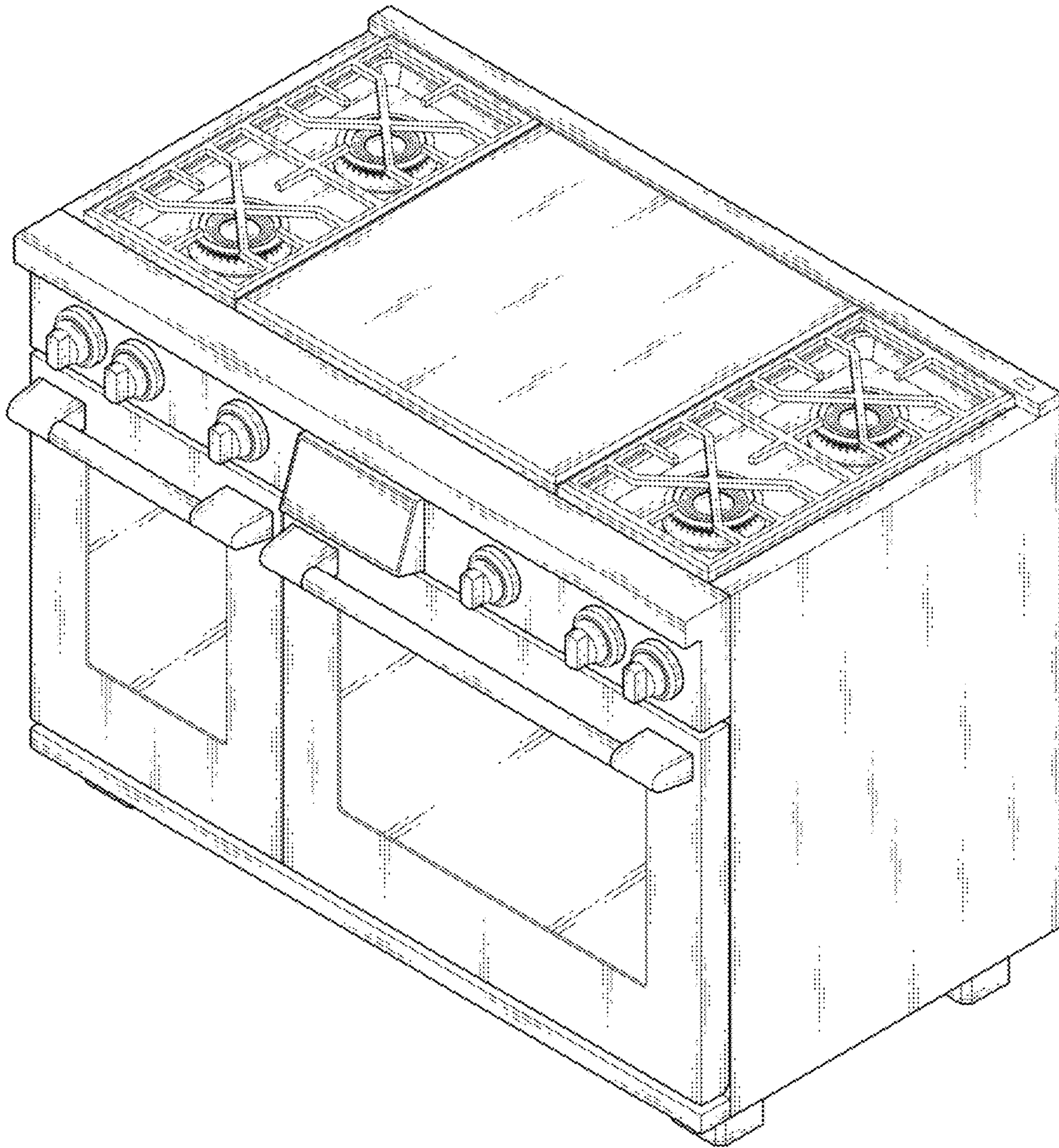
**References Cited**

U.S. PATENT DOCUMENTS

D764,220	S	*	8/2016	Kim	.....	D7/339
D781,096	S	*	3/2017	Kim	.....	D7/339
D782,872	S	*	4/2017	Cho	.....	D7/406
D785,398	S	*	5/2017	Kim	.....	D7/340
D786,005	S	*	5/2017	Kim	.....	D7/340
D786,006	S	*	5/2017	Chung	.....	D7/340
D786,608	S	*	5/2017	Cho	.....	D7/339
D786,609	S	*	5/2017	Cho	.....	D7/339
D787,255	S	*	5/2017	Cho	.....	D7/339
D787,256	S	*	5/2017	Cho	.....	D7/339
D789,729	S	*	6/2017	Lee	.....	D7/340
9,696,040	B2	*	7/2017	Yoon	.....	F24C 3/124
D793,160	S	*	8/2017	Cho	.....	D7/408

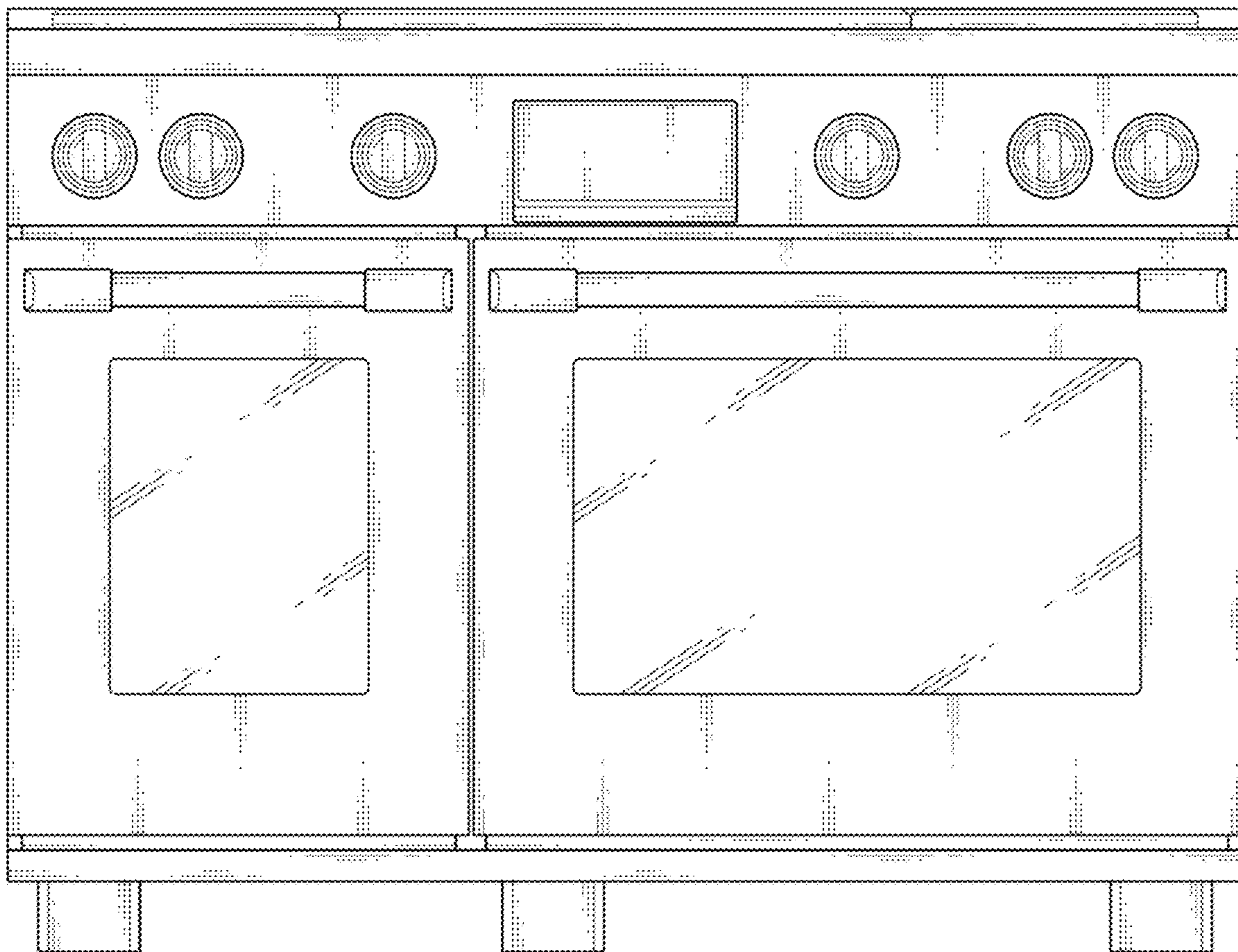
\* cited by examiner

1.1

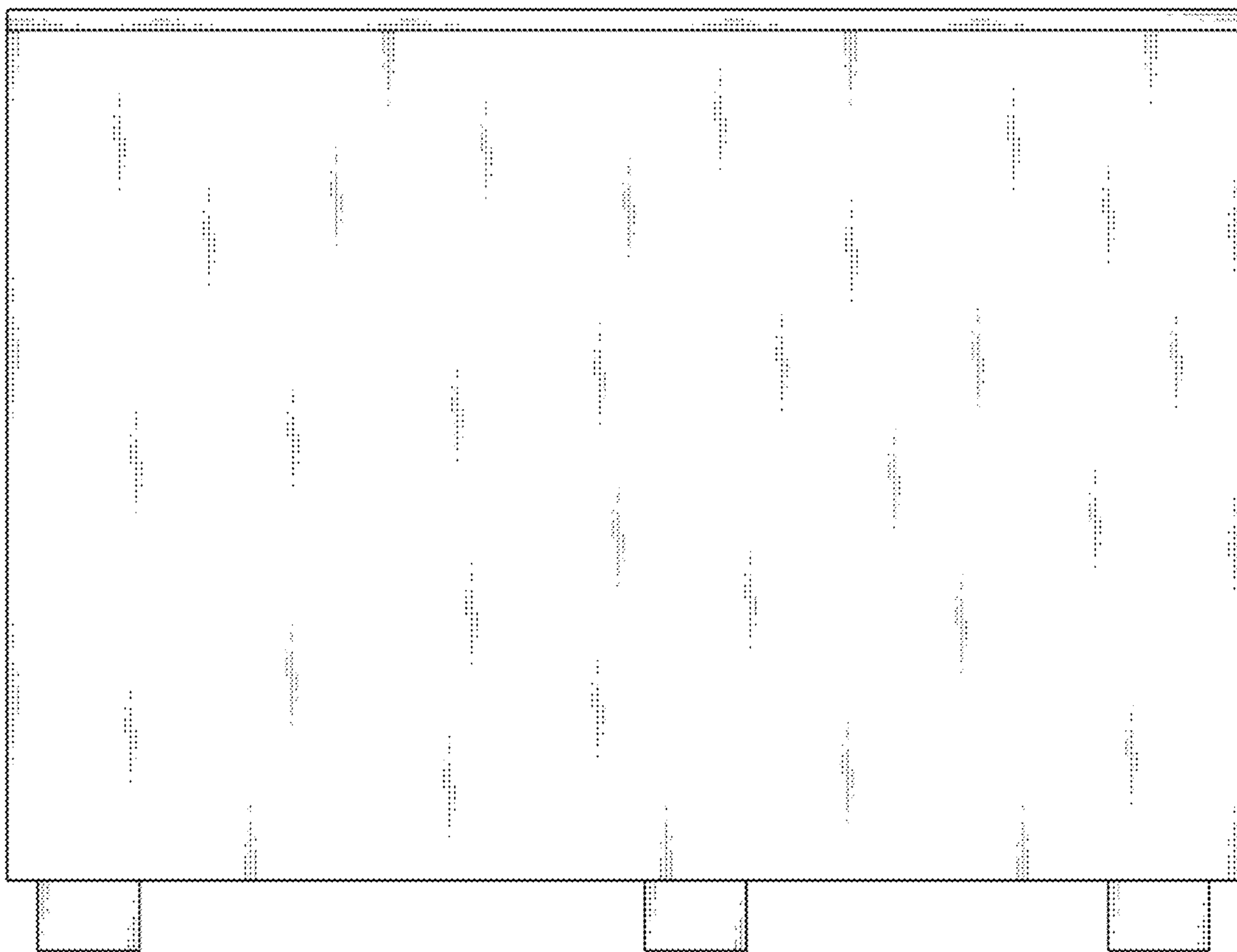




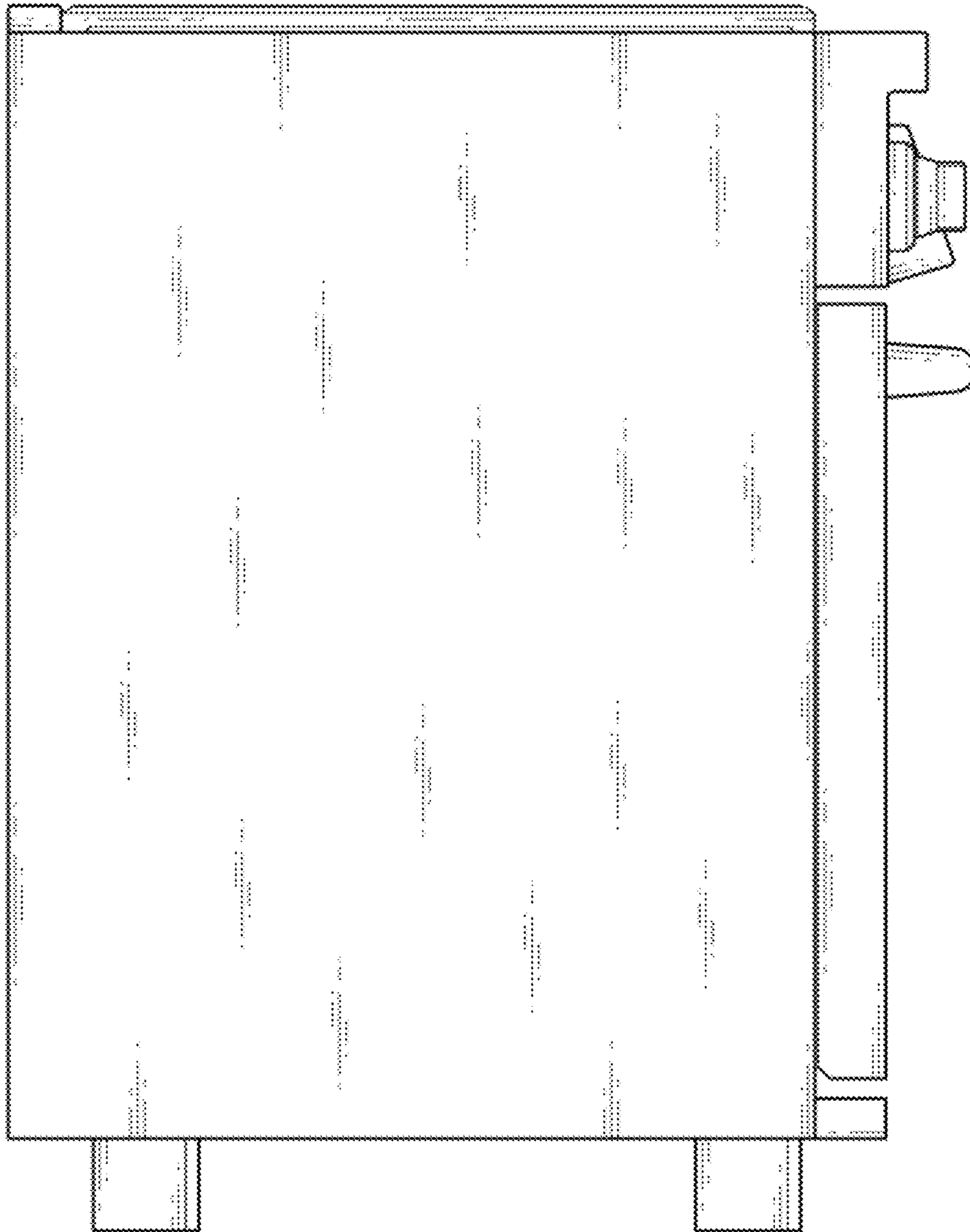
1.2



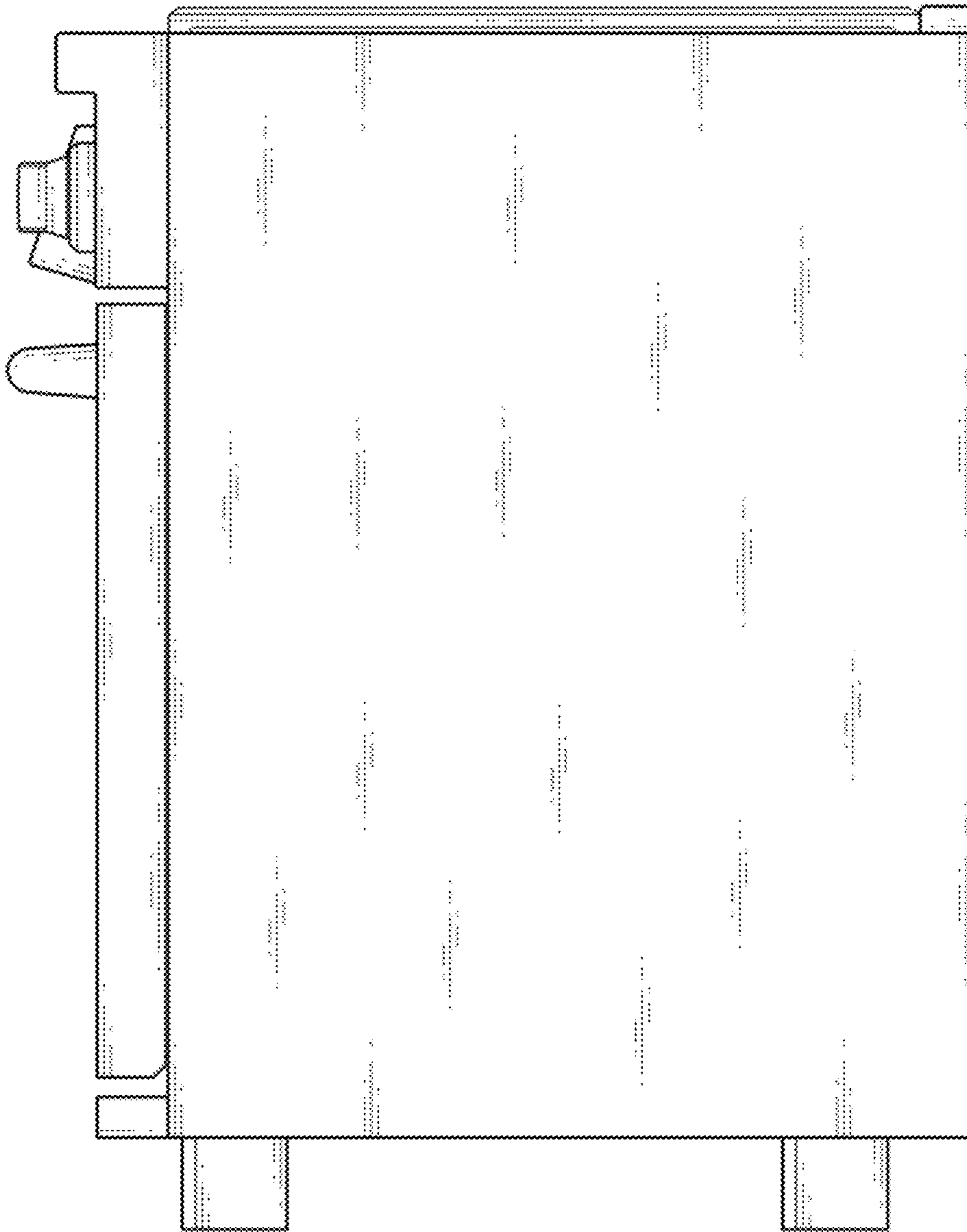
1.3



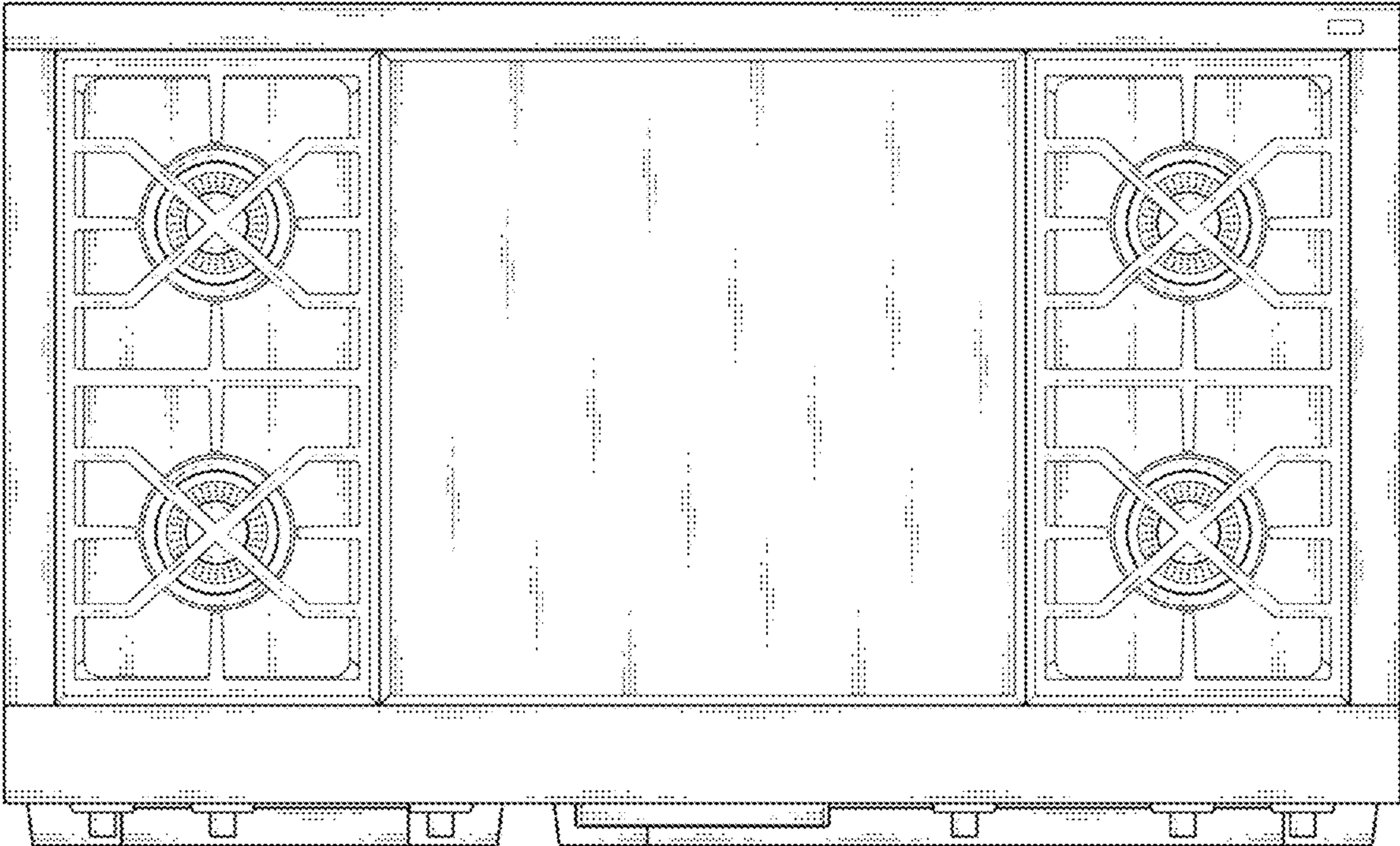
1.4



1.5



1.6





1.7

