



US00D817684S

(12) **United States Design Patent** (10) **Patent No.:** **US D817,684 S**  
**Mansueto et al.** (45) **Date of Patent:** **\*\* \*May 15, 2018**

(54) **BARBEQUE**

B60H 3/00; B32B 15/04; A62C 3/00;  
A47J 43/18

(71) Applicant: **SHRIRO AUSTRALIA PTY LIMITED**, Kingsgrove, New South Wales (AU)

See application file for complete search history.

(72) Inventors: **David Mansueto**, New South Wales (AU); **David Jones**, New South Wales (AU); **Anson Li**, New South Wales (AU)

(56) **References Cited**

U.S. PATENT DOCUMENTS

D465,693	S	*	11/2002	Coleman	.....	D7/334
D494,004	S	*	8/2004	Chapman	.....	D7/334
D525,072	S	*	7/2006	Wilgus	.....	D7/334
D579,709	S	*	11/2008	Proffitt	.....	D7/334
D658,926	S	*	5/2012	Chung	.....	D7/334
D660,073	S	*	5/2012	Chung	.....	D7/334
D660,074	S	*	5/2012	Chung	.....	D7/334
D661,538	S	*	6/2012	Chung	.....	D7/334
D679,937	S	*	4/2013	Chung	.....	D7/334
D681,389	S	*	5/2013	Goecke	.....	D7/334
D687,667	S	*	8/2013	Chien	.....	D7/334
D687,669	S	*	8/2013	Chung	.....	D7/334
D688,082	S	*	8/2013	Crick	.....	D7/334
D697,357	S	*	1/2014	Goecke	.....	D7/334
D712,191	S	*	9/2014	Chung	.....	D7/334
D717,097	S	*	11/2014	Lin	.....	D7/334
D722,809	S	*	2/2015	Chung	.....	D7/334

(Continued)

(73) Assignee: **SHRIRO AUSTRALIA PTY LIMITED**, Kingsgrove, New South Wales (AU)

(\*) Notice: This patent is subject to a terminal disclaimer.

(\*\*) Term: **15 Years**

*Primary Examiner* — Susan Bennett Hattan

*Assistant Examiner* — Suzanne E Tisdell

(21) Appl. No.: **29/564,669**

(74) *Attorney, Agent, or Firm* — Ladas & Parry, LLP

(22) Filed: **May 13, 2016**

(30) **Foreign Application Priority Data**

Nov. 13, 2015 (AU) ..... 201516064

(51) **LOC (11) Cl.** ..... **07-02**

(52) **U.S. Cl.**  
USPC ..... **D7/334**

(58) **Field of Classification Search**  
USPC ..... D7/213, 323, 324, 325, 326, 327, 328,  
D7/329, 330, 331, 332, 333, 334, 335,  
D7/336, 337, 402, 404, 405, 406, 407  
CPC .... G05D 7/00; F24F 13/07; F24C 5/00; F24C  
5/20; F24C 3/00; F24C 3/10; F24C 3/12;  
F24C 15/06; F24C 15/10; F24C 15/16;  
F24C 15/20; F24B 3/00; F23N 5/22;

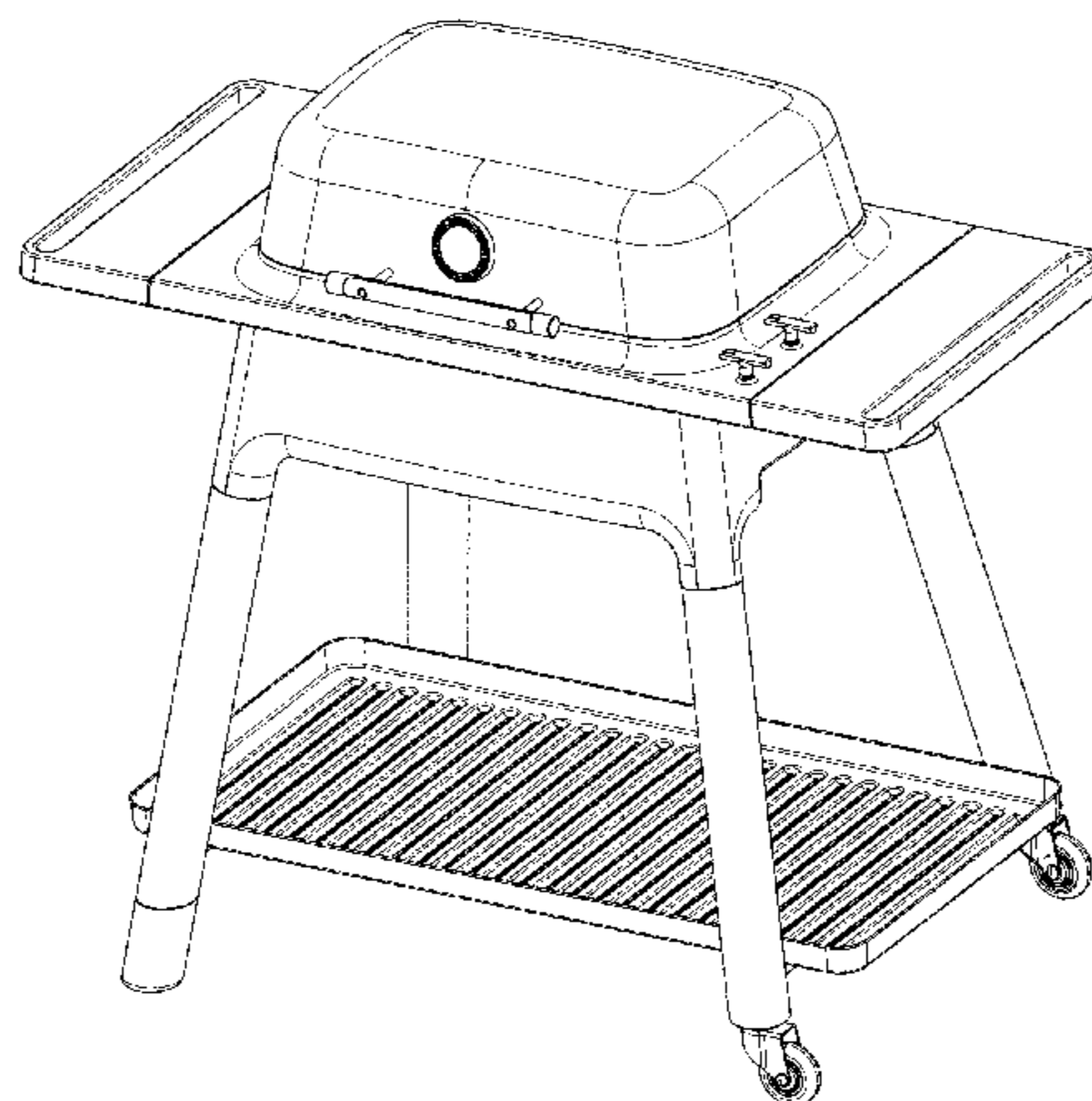
(57) **CLAIM**

We claim the ornamental design for a barbeque, as shown and described.

**DESCRIPTION**

FIG. 1 is a perspective view of a closed configuration of a barbeque in accordance with the design;  
FIG. 2 is a front view of the design thereof;  
FIG. 3 is a right side view of the design thereof;  
FIG. 4 is a left side view of the design thereof;  
FIG. 5 is a top view of the design thereof;  
FIG. 6 is an under side view of the design thereof; and,  
FIG. 7 is a perspective view of an open configuration of the design thereof.

(Continued)



The broken lines in the Figures are for environmental purposes only and form no part of the claimed design.

**1 Claim, 7 Drawing Sheets**

(56)

**References Cited**

U.S. PATENT DOCUMENTS

D722,810	S	*	2/2015	Chung	.....	D7/334
D723,321	S	*	3/2015	Chung	.....	D7/334
D723,860	S	*	3/2015	Chung	.....	D7/334
D726,491	S	*	4/2015	Witzel	.....	D7/334
D731,843	S	*	6/2015	Chung	.....	D7/334
D732,874	S	*	6/2015	Chung	.....	D7/334
D736,026	S	*	8/2015	Kam	.....	D7/334
D737,092	S	*	8/2015	Lin	.....	D7/334
D744,775	S	*	12/2015	Yang	.....	D7/334
D747,909	S	*	1/2016	Simms, II	.....	D7/332

D748,423	S	*	2/2016	Chiang	.....	D7/334
D753,430	S	*	4/2016	Wagner	.....	D7/334
D769,667	S	*	10/2016	Ting	.....	D7/332
D773,229	S	*	12/2016	Jaggard	.....	D7/334
D773,879	S	*	12/2016	Magee	.....	D7/334
D776,476	S	*	1/2017	Euwer	.....	D7/334
2008/0121118	A1	*	5/2008	Sikes	.....	A47J 37/07 99/447
2008/0229937	A1	*	9/2008	Stephen	.....	A47J 37/07 99/421 R
2010/0132689	A1	*	6/2010	Contarino, Jr.	.....	A47J 37/067 126/25 B
2013/0112088	A1	*	5/2013	May	.....	A47J 37/07 99/421 H
2014/0261378	A1	*	9/2014	Barreto	.....	A47J 37/0713 126/25 R
2014/0318524	A1	*	10/2014	Measom	.....	A47J 37/0704 126/25 R
2015/0004297	A1	*	1/2015	Potheses	.....	A47J 37/00 426/523
2016/0208837	A1	*	7/2016	Chang	.....	F16B 5/02

\* cited by examiner

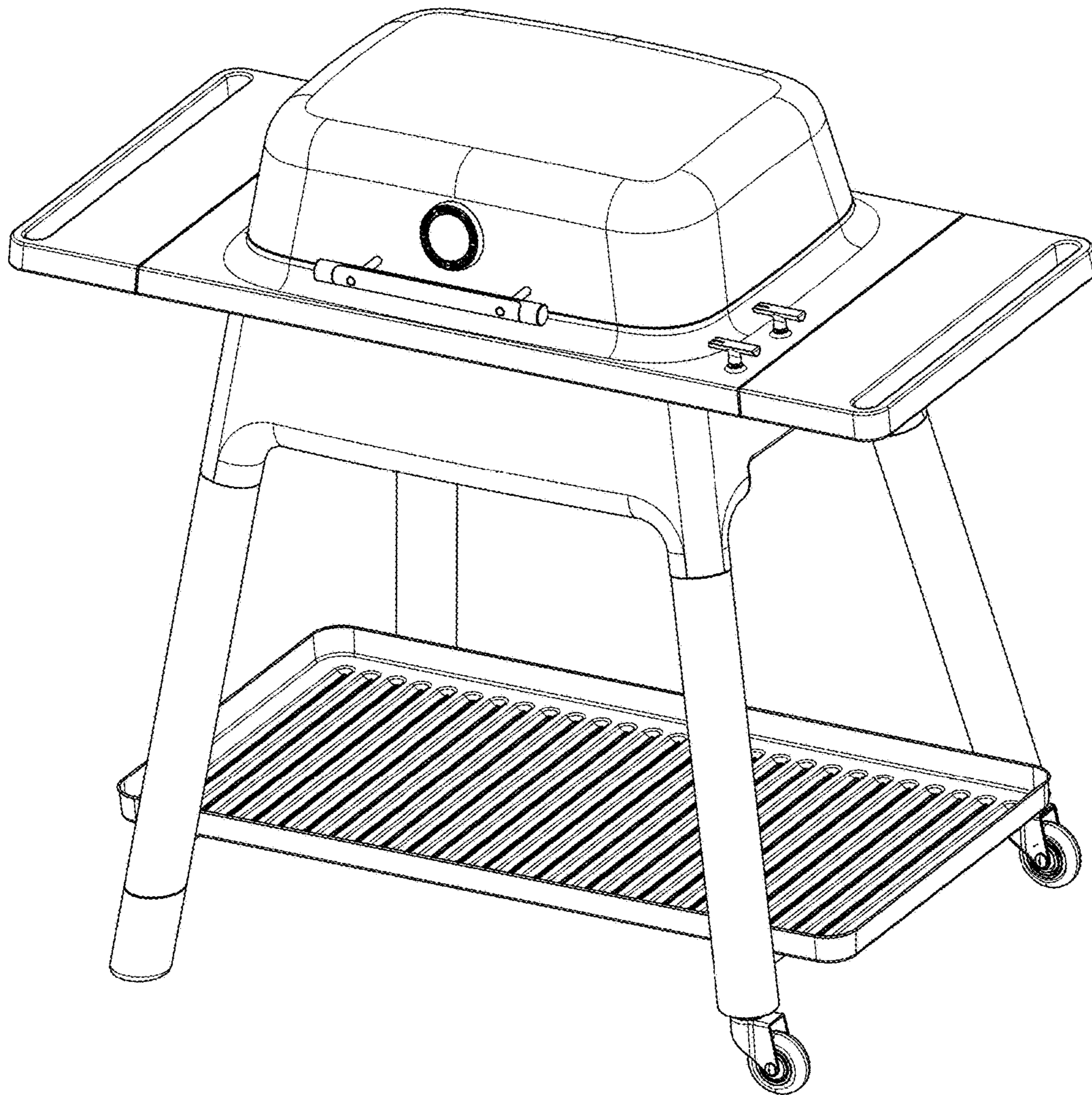


FIG. 1

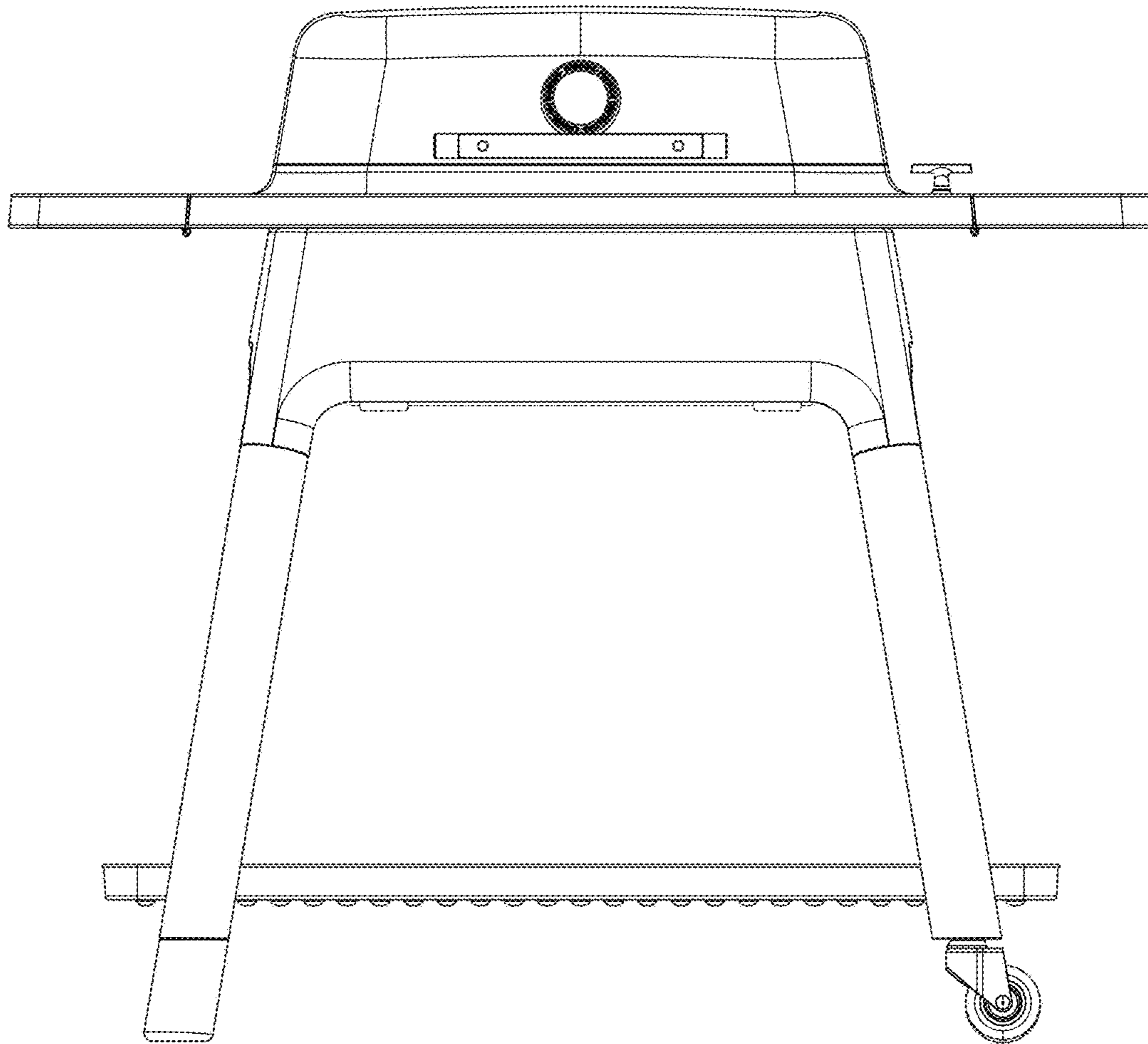
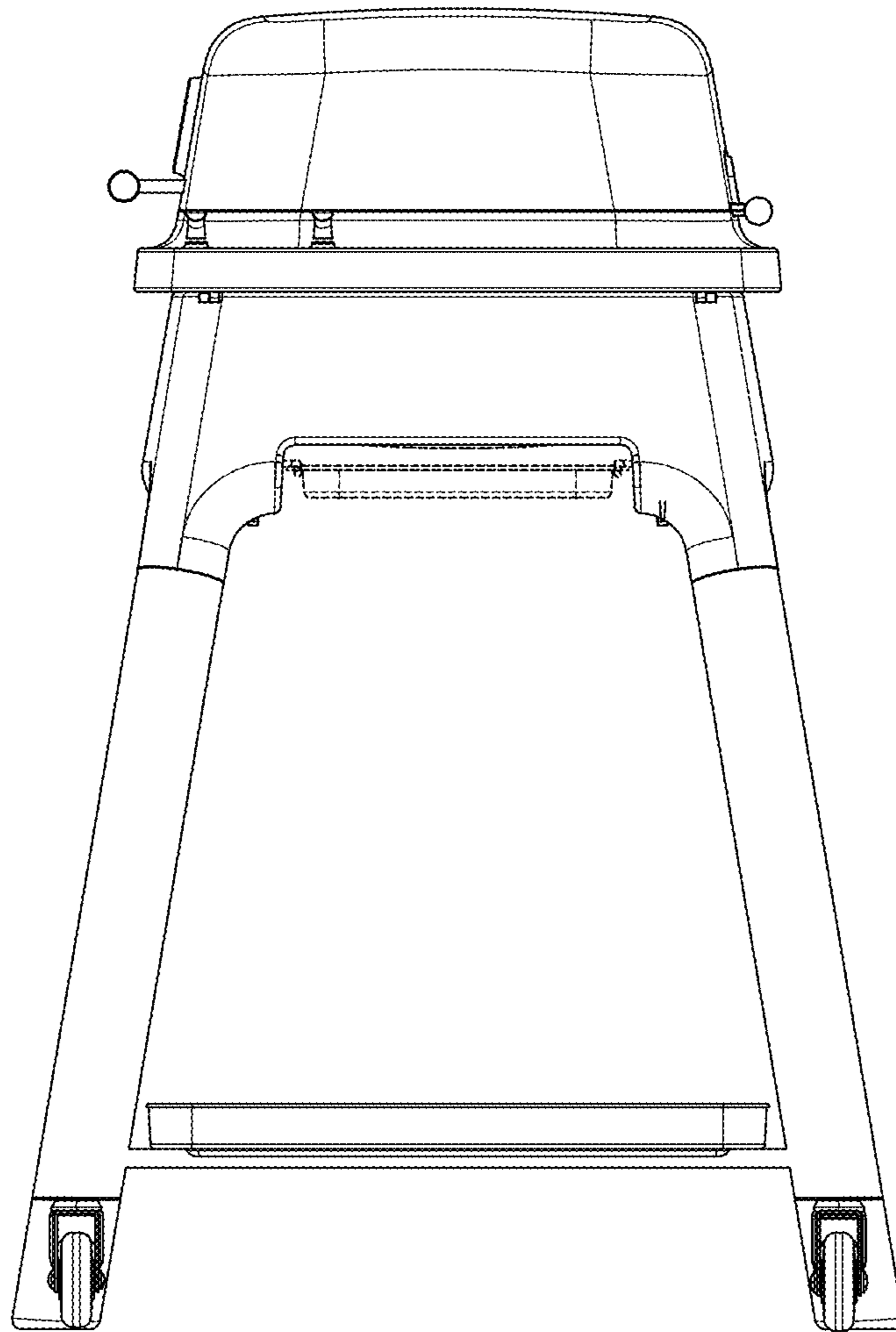


FIG. 2



**FIG. 3**

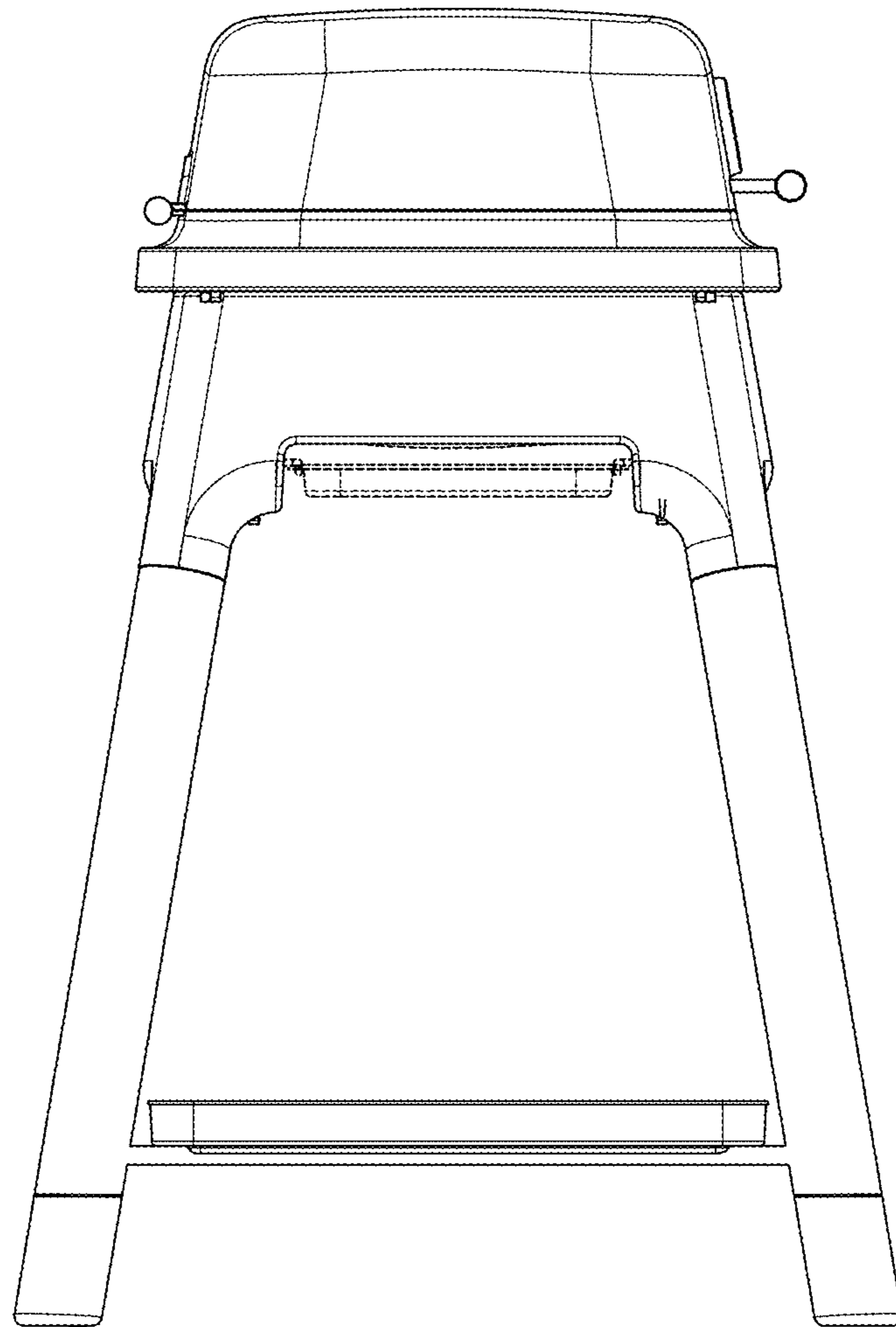


FIG. 4

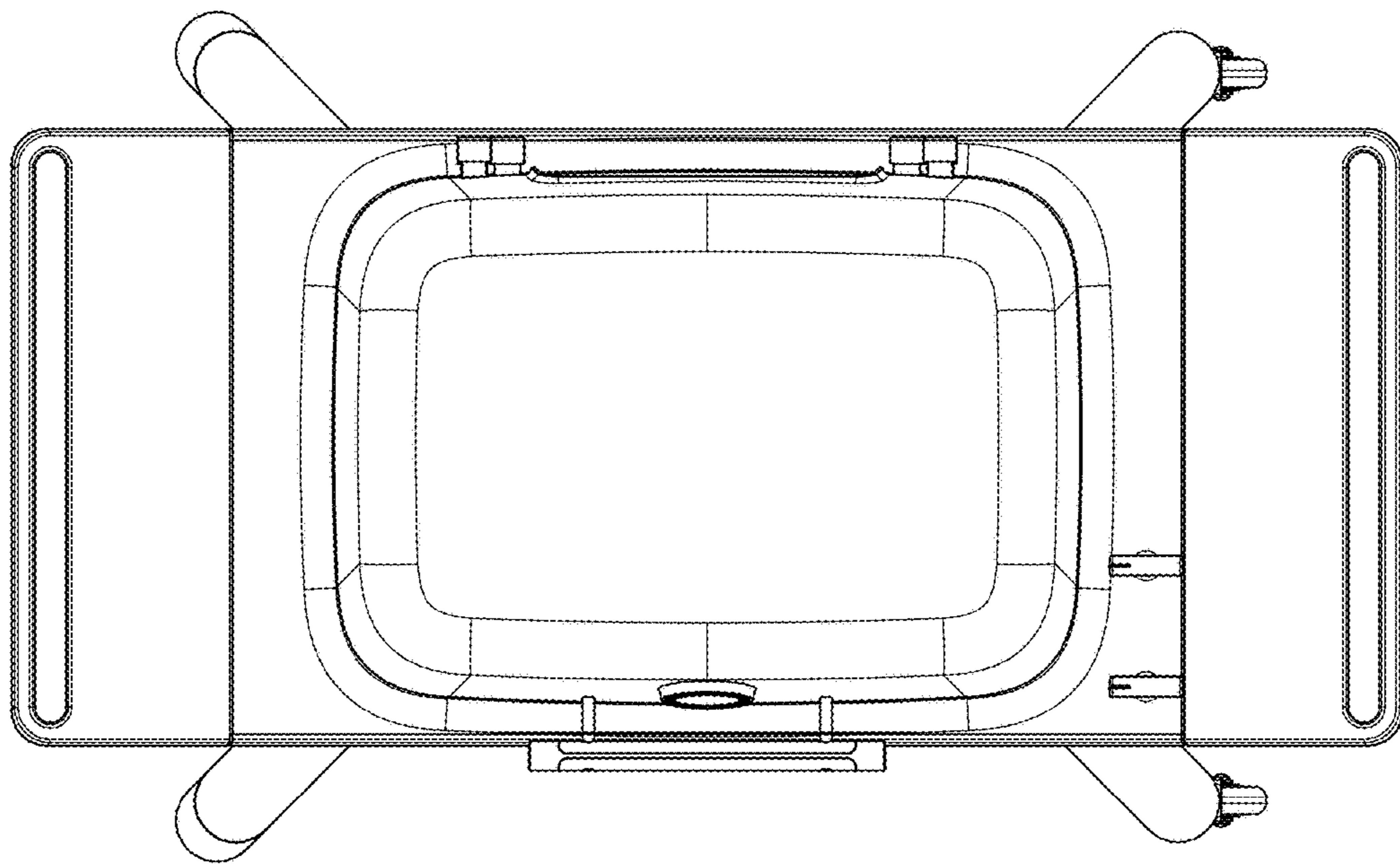


FIG. 5

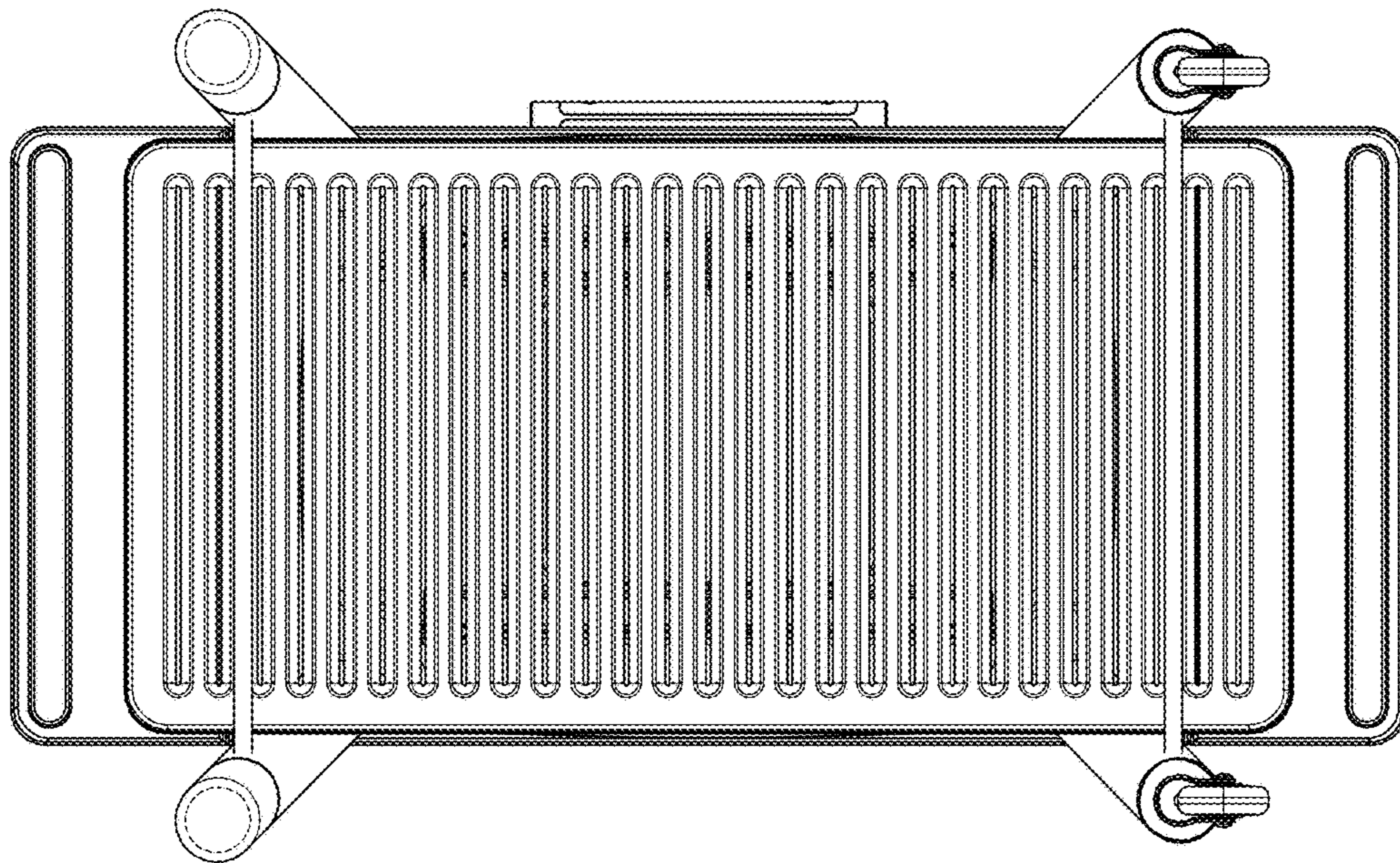


FIG. 6



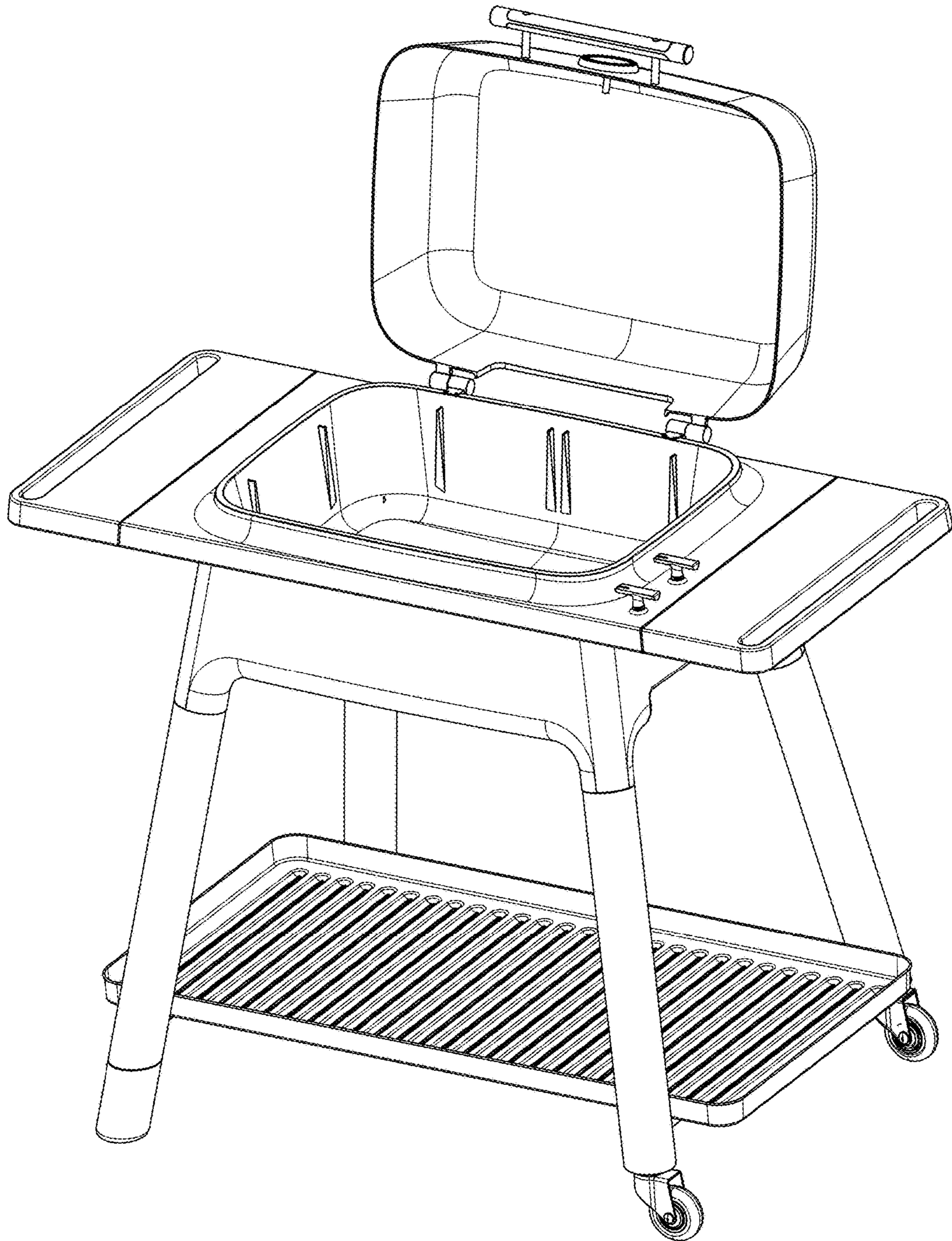


FIG. 7