



US00D817683S

(12) **United States Design Patent**
Melanson et al.

(10) **Patent No.:** **US D817,683 S**
(45) **Date of Patent:** **** May 15, 2018**

(54) **LID FOR A BEVERAGE CONTAINER**

(71) Applicant: **OTTER PRODUCTS, LLC**, Fort Collins, CO (US)

(72) Inventors: **Christopher J. Melanson**, Fort Collins, CO (US); **Shanshan Li**, Fort Collins, CO (US); **Ross V. Bulkley**, Fort Collins, CO (US); **Alex S. Breeden**, Fort Collins, CO (US)

(73) Assignee: **Otter Products, LLC**, Fort Collins, CO (US)

(**) Term: **15 Years**

(21) Appl. No.: **29/603,420**

(22) Filed: **May 9, 2017**

(51) **LOC (11) Cl.** **07-01**

(52) **U.S. Cl.**
USPC **D7/300.1**

(58) **Field of Classification Search**
USPC D3/318; D7/213, 300, 317, 387, 397, D7/398, 401.1, 590, 300.1, 316, 321, 376; D8/300, 310, 312, 321; D9/434-436, D9/439, 440, 442, 443, 445, 447, 448, D9/452-454, 499; D23/208, 260
CPC B65D 25/48; B65D 47/06
See application file for complete search history.

(56) **References Cited**

U.S. PATENT DOCUMENTS

2,957,596 A 10/1960 Rehborg
D298,731 S * 11/1988 Cook D8/300
D321,628 S 11/1991 Kobayashi et al.
D355,119 S * 2/1995 Zimmermann D9/440
D371,304 S 7/1996 Onneweer
D375,019 S 10/1996 Goto et al.
D385,956 S * 11/1997 Doughty D23/259
D390,462 S * 2/1998 Mao D9/435
D411,954 S * 7/1999 Williamson D9/440

D429,118 S 8/2000 Hurlbut
D450,982 S 11/2001 Gaze et al.
6,324,966 B1 12/2001 Joergensen
D453,472 S * 2/2002 Kwong D9/447
D455,052 S 4/2002 Gullickson et al.
D455,612 S 4/2002 Gullickson et al.
D476,859 S 7/2003 Short

(Continued)

FOREIGN PATENT DOCUMENTS

EP 2555658 A1 2/2013

OTHER PUBLICATIONS

US D775,903, 01/2017, Seiders et al. (withdrawn)

(Continued)

Primary Examiner — Eric L Goodman

Assistant Examiner — Darcey E Heflin

(57) **CLAIM**

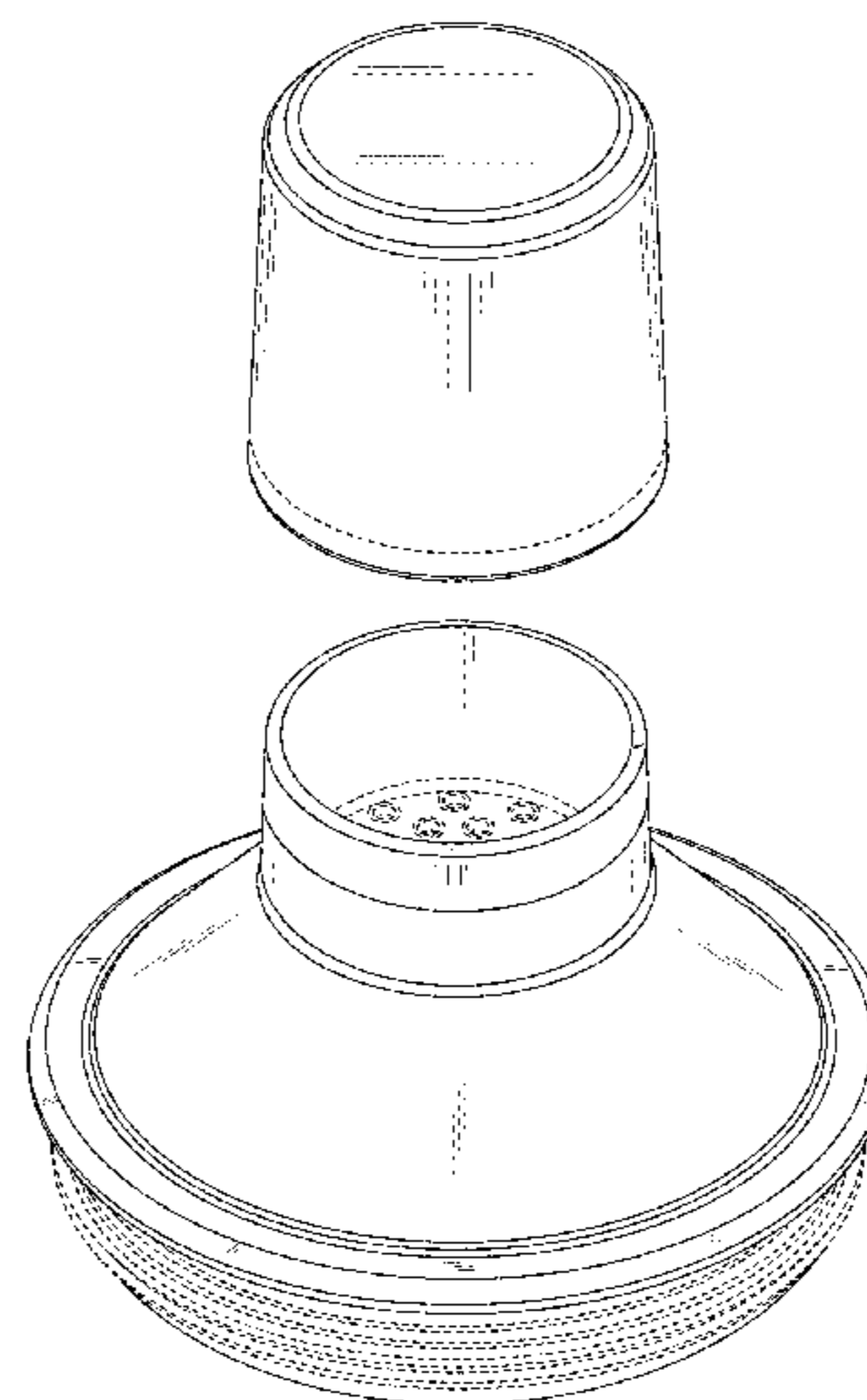
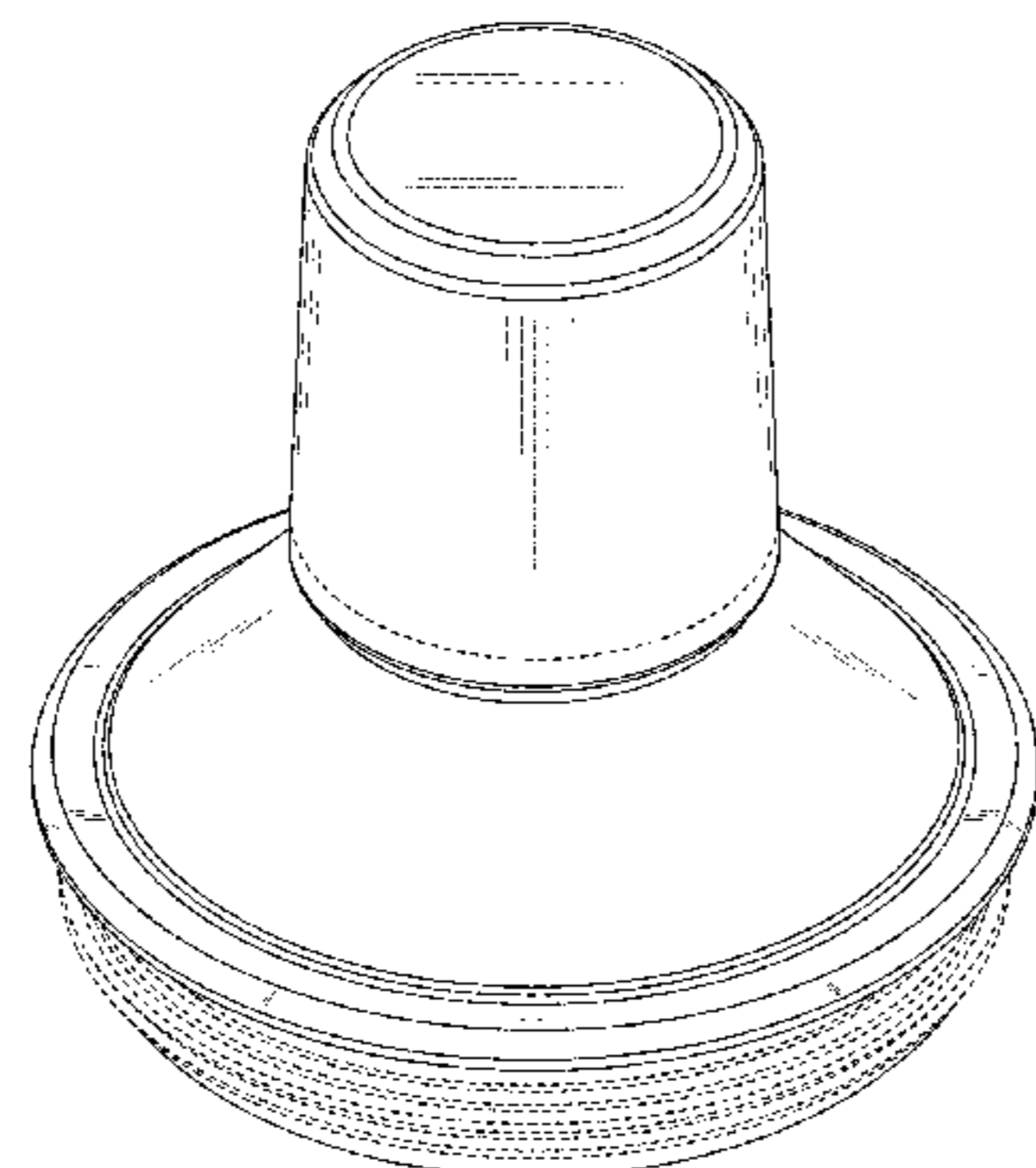
The ornamental design for a lid for a beverage container, as shown and described.

DESCRIPTION

FIG. 1 is a front, top perspective view of a lid for a beverage container showing our new design; FIG. 2 is an exploded front, top perspective view thereof; FIG. 3 is a rear, bottom perspective view thereof; FIG. 4 is a front view thereof; FIG. 5 is a rear view thereof; FIG. 6 is a left view thereof; FIG. 7 is a right view thereof; FIG. 8 is a top view thereof; and, FIG. 9 is a bottom view thereof.

The dash-dash broken lines throughout the drawing figures depict portions of the lid for a beverage container that form no part of the claimed design. The broken lines and unshaded surfaces bounded by broken lines form no part of the claimed design.

1 Claim, 9 Drawing Sheets



(56)

References Cited

U.S. PATENT DOCUMENTS

D479,800 S	9/2003	McRae		D740,605 S	10/2015	Wodka et al.
6,626,326 B2	9/2003	Murakami		D742,684 S	11/2015	Hurley et al.
D482,607 S	11/2003	McRae		9,187,232 B2	11/2015	Seiders
D488,960 S	4/2004	Wahl et al.		D748,942 S	2/2016	Boroski et al.
7,011,227 B2	3/2006	Ward et al.		D751,338 S	3/2016	Seiders et al.
D519,835 S *	5/2006	Dubs	D9/438	D751,339 S	3/2016	Seiders et al.
D524,909 S	7/2006	Bakke et al.		D751,340 S	3/2016	Seiders et al.
D533,032 S	12/2006	Liu et al.		D751,341 S	3/2016	Seiders et al.
D546,178 S *	7/2007	McClain	D9/435	D752,347 S	3/2016	Seiders et al.
D547,607 S	7/2007	Forsman		D752,397 S	3/2016	Seiders et al.
D564,841 S	3/2008	Clemens et al.		D754,483 S	4/2016	Elsaden et al.
D572,981 S	7/2008	Carreno		D754,486 S	4/2016	Ott
D582,767 S *	12/2008	Batton	D9/447	9,351,597 B2	5/2016	Liu et al.
D587,533 S	3/2009	Carreno		D758,137 S	6/2016	Soltz et al.
D592,906 S	5/2009	Allen et al.		D758,791 S	6/2016	Hanna et al.
7,533,783 B2	5/2009	Choi et al.		D759,485 S	6/2016	Boroski et al.
D597,816 S *	8/2009	Thompson	D8/300	D760,586 S	7/2016	Seiders et al.
D604,984 S *	12/2009	Kalamaras	A47J 43/27 D7/300.1	D761,619 S	7/2016	Seiders et al.
				D762,117 S	7/2016	Joseph et al.
D621,257 S	8/2010	Gullickson et al.		D762,418 S	8/2016	Sorensen et al.
D623,480 S	9/2010	Moran		D764,787 S	8/2016	Montminy
D623,481 S	9/2010	Moran		D766,652 S	9/2016	Joseph et al.
D623,896 S	9/2010	Wahl et al.		D767,328 S	9/2016	Boroski et al.
D626,837 S	11/2010	Meyers et al.		D768,437 S	10/2016	Lane
D628,018 S	11/2010	Gilbert		D769,046 S	10/2016	Beckman et al.
D630,093 S	1/2011	Bardet		9,456,710 B2	10/2016	Blain et al.
D651,847 S	1/2012	Gilbert		9,462,904 B2	10/2016	Coon et al.
D653,521 S *	2/2012	Wike	D8/310	D770,222 S	11/2016	Boroski et al.
D656,360 S	3/2012	Miller et al.		D772,064 S	11/2016	Boroski et al.
D656,820 S *	4/2012	Willows	D9/447	9,505,527 B1	11/2016	Campbell
D657,196 S	4/2012	Beyers		D774,359 S	12/2016	Boroski
8,191,727 B2	6/2012	Davies et al.		D774,363 S	12/2016	Seiders et al.
8,251,247 B1	8/2012	Breckner		D774,837 S	12/2016	Seiders et al.
D672,648 S	12/2012	Goto et al.		D777,508 S	1/2017	Goodwin et al.
D675,059 S	1/2013	Carreno		D778,725 S *	2/2017	Sorensen D9/434
D682,034 S	5/2013	El-Saden et al.		D779,285 S	2/2017	Seiders et al.
8,469,226 B2	6/2013	Davies et al.		D779,891 S	2/2017	Seiders et al.
D686,871 S	7/2013	Lane		D779,892 S	2/2017	Seiders et al.
8,602,238 B2	12/2013	El-Saden et al.		D780,530 S	3/2017	Seiders et al.
8,622,237 B2	1/2014	Choi et al.		D780,531 S	3/2017	Seiders et al.
D700,012 S	2/2014	Hurley et al.		D780,532 S	3/2017	Seiders et al.
D700,802 S	3/2014	Miller		D780,533 S	3/2017	Seiders et al.
D702,092 S	4/2014	Mettler et al.		D780,577 S	3/2017	Seiders et al.
8,695,830 B2	4/2014	Meyers et al.		D781,145 S	3/2017	Seiders et al.
D707,124 S	6/2014	Blain et al.		D781,146 S	3/2017	Seiders et al.
8,777,048 B2	7/2014	Choi et al.		D781,662 S	3/2017	Seiders et al.
D712,254 S	9/2014	Geis et al.		D782,881 S	4/2017	Seiders et al.
D712,720 S	9/2014	Seiders		D783,367 S	4/2017	Seiders et al.
D712,721 S	9/2014	Seiders		D783,368 S	4/2017	Seiders et al.
D712,722 S	9/2014	Seiders		D784,775 S	4/2017	Seiders et al.
D712,723 S	9/2014	Seiders		D786,025 S	5/2017	Seiders et al.
D714,125 S	9/2014	Seiders		9,637,270 B2	5/2017	Campbell
8,844,762 B2	9/2014	Chiou et al.		D790,920 S	7/2017	Goodwin et al.
D716,657 S	11/2014	Caner		D791,532 S	7/2017	Yao
D720,217 S *	12/2014	Oates	D7/398	D791,549 S	7/2017	Goodwin et al.
8,905,252 B2	12/2014	Latham et al.		D792,215 S	7/2017	Eyal
8,910,819 B2	12/2014	Seiders		9,694,953 B2	7/2017	Meyers et al.
8,939,305 B2	1/2015	Meyers et al.		D795,008 S	8/2017	Eyal
D722,474 S	2/2015	Seiders		D795,646 S	8/2017	Sorensen et al.
D722,475 S	2/2015	Seiders		D798,105 S	9/2017	Stover et al.
D725,966 S	4/2015	Boroski et al.		9,771,189 B2	9/2017	Miksovsky et al.
D727,457 S	4/2015	Seiders		D799,320 S	10/2017	Goodwin et al.
D729,579 S	5/2015	Molayem		9,776,777 B2	10/2017	Gorbald
D731,614 S	6/2015	Seiders		9,782,028 B2	10/2017	Davies et al.
D732,348 S	6/2015	Seiders et al.		D802,419 S	11/2017	Seiders et al.
D732,349 S	6/2015	Seiders et al.		2005/0046211 A1	3/2005	Nole et al.
D732,350 S	6/2015	Seiders et al.		2006/0016819 A1	1/2006	Paslawski et al.
D732,392 S	6/2015	Duran et al.		2008/0087624 A1	4/2008	Buckley
D732,899 S	6/2015	Seiders et al.		2011/0147421 A1	6/2011	Pedrol
D734,150 S *	7/2015	Rigel	D9/440	2011/0278216 A1	11/2011	Hull et al.
D736,622 S	8/2015	Nishijima et al.		2013/0043263 A1	2/2013	Yang
9,107,541 B2	8/2015	Bodum		2013/0240549 A1	9/2013	Beggins et al.
9,113,698 B2	8/2015	Blain et al.		2014/0061208 A1	3/2014	Boyd
D739,174 S	9/2015	Elsaden et al.		2016/0153690 A1	6/2016	Patsis et al.
9,139,352 B2	9/2015	Seiders et al.		2016/0270602 A1	9/2016	Casey
				2016/0318693 A1	11/2016	Hein et al.
				2017/0121073 A1	5/2017	Seiders et al.

(56)

References Cited

OTHER PUBLICATIONS

Custom Tumbler Shop. 30 oz. SIC Cocktail Shaker Lid. Jan. 12, 2017 [earliest online date], [site visited Jan. 29, 2018]. Available from Internet, <URL:https://customtumbleshop.com/sic-30-oz-cocktail-shaker-lid>. (Year: 2017).*

Bar Products. Nuance Stainless Steel Cocktail Shaker. 2018 [earliest online date], [site visited Jan. 29, 2018]. Available from Internet, <URL:https://www.barproducts.com/nuance-stainless-steel-cocktail-shaker-16-9-oz>. (Year: 2018).*

Brittany A. Roston, Slash Gear, “Venture Coolers are like the camping version of OtterBox phone cases,” May 9, 2017, downloaded from https://www.slashgear.com/venture-coolers-are-like-the-camping-version-of-otterbox-phone-cases-09484519/, 5 pages.

Genuine Thermos Brand, Mugs & Tumblers, downloaded from http://www.thermos.com/product_catalog.aspx?CatCode=MUGS May 8, 2017, 5 pages.

Kevin Curry, Gear & Grit, “OtterBox Just Beat Yeti at Its own Game with Their Venture Line of Coolers,” downloaded from https://gearandgrit.com/otterbox-venture-cooler/ May 9, 2017, 5 pages.

Otter Products, Inc, OtterBox Outdoor Venture Coolers and Elevation Tumblers, downloaded from http://www.otterbox.com/en-us/outdoor-coming-soon-html May 9, 2017, 2 pages.

Otterbox, PR Newswire “Unrule the Outdoors with New OtterBox Venture Coolers”, downloaded from http://www.ornewswire.com/news-releases/unrule-the-outdoors-with-new-otterbox-venture-coolers-300453988.html May 9, 2017, 3 pages.

Pelican Consumer, Traveler Tumbler Series Drinkware, downloaded from http://www.pelican.com/us/en/products/drinkware May 8, 2017, 2 pages.

Tervis Official Store, Shaker Top, downloaded from http://www.tervis.com/shaker-top May 8, 2017, 4 pages.

Tervis Official Store, Stainless Steel Tumblers, downloaded from http://www.tervis.com/stainless-steel May 8, 2017, 4 pages.

Tervis Official Store, Travel Lids, downloaded from http://www.tervis.com/travel-lids May 8, 2017, 11 pages.

Yeti Coolers, Rambler Drinkware Series, downloaded from http://yeti.com/rambler May 8, 2017, 6 pages.

Yeti Coolers, Yeti Accessories & Parts, downloaded May 8, 2017 from http://yeti.com/accessories, 5 pages.

* cited by examiner

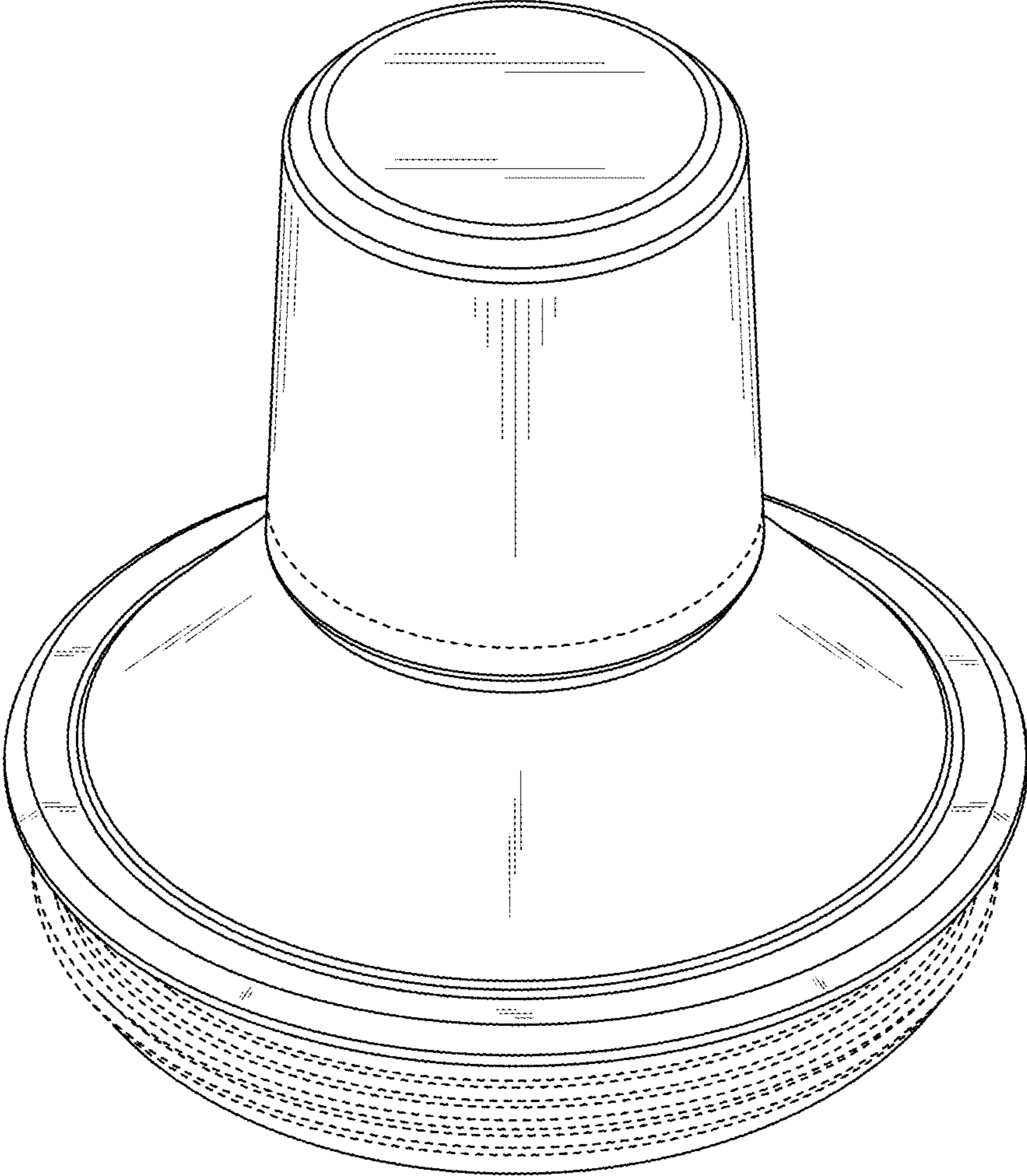


FIG. 1

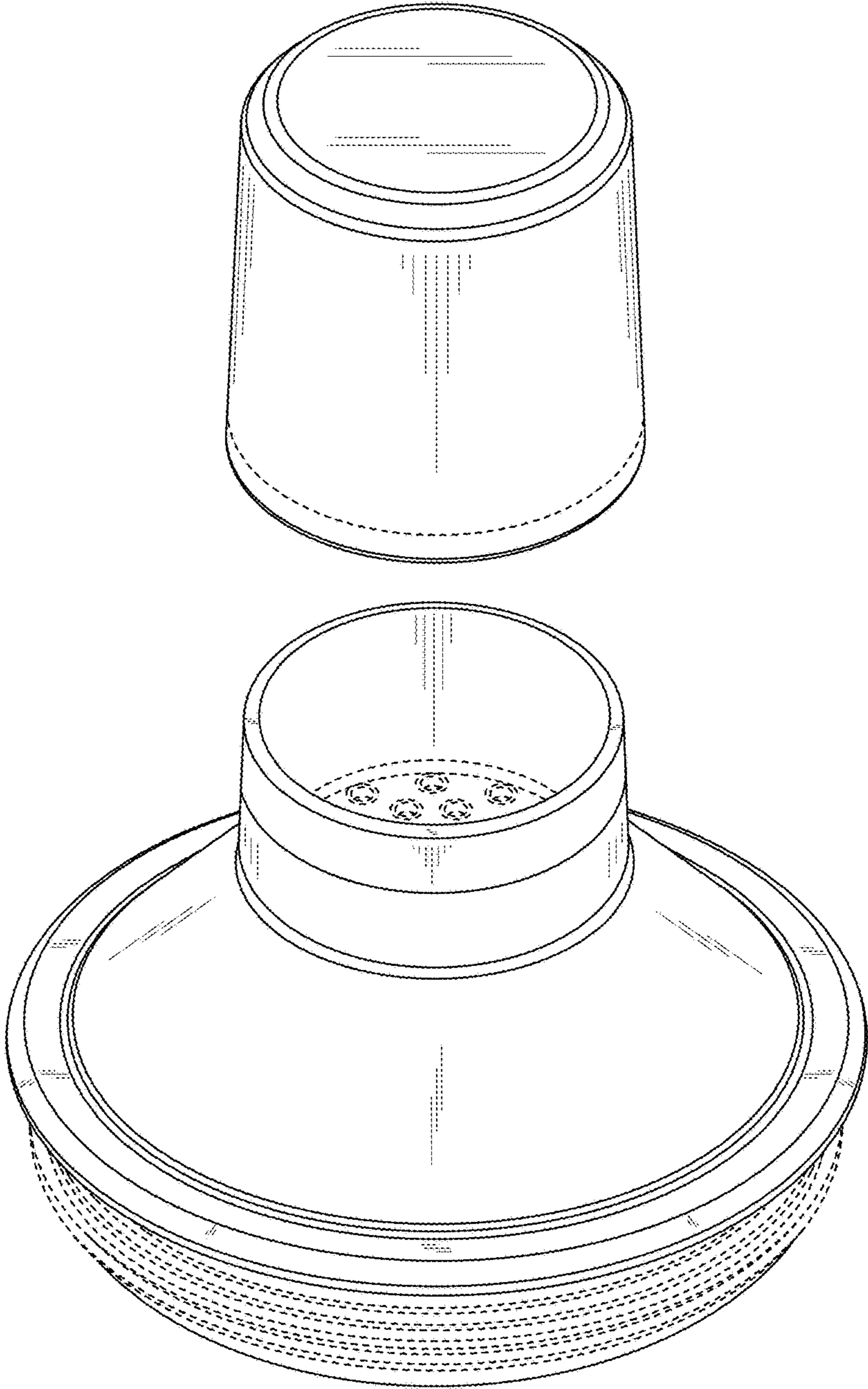


FIG. 2

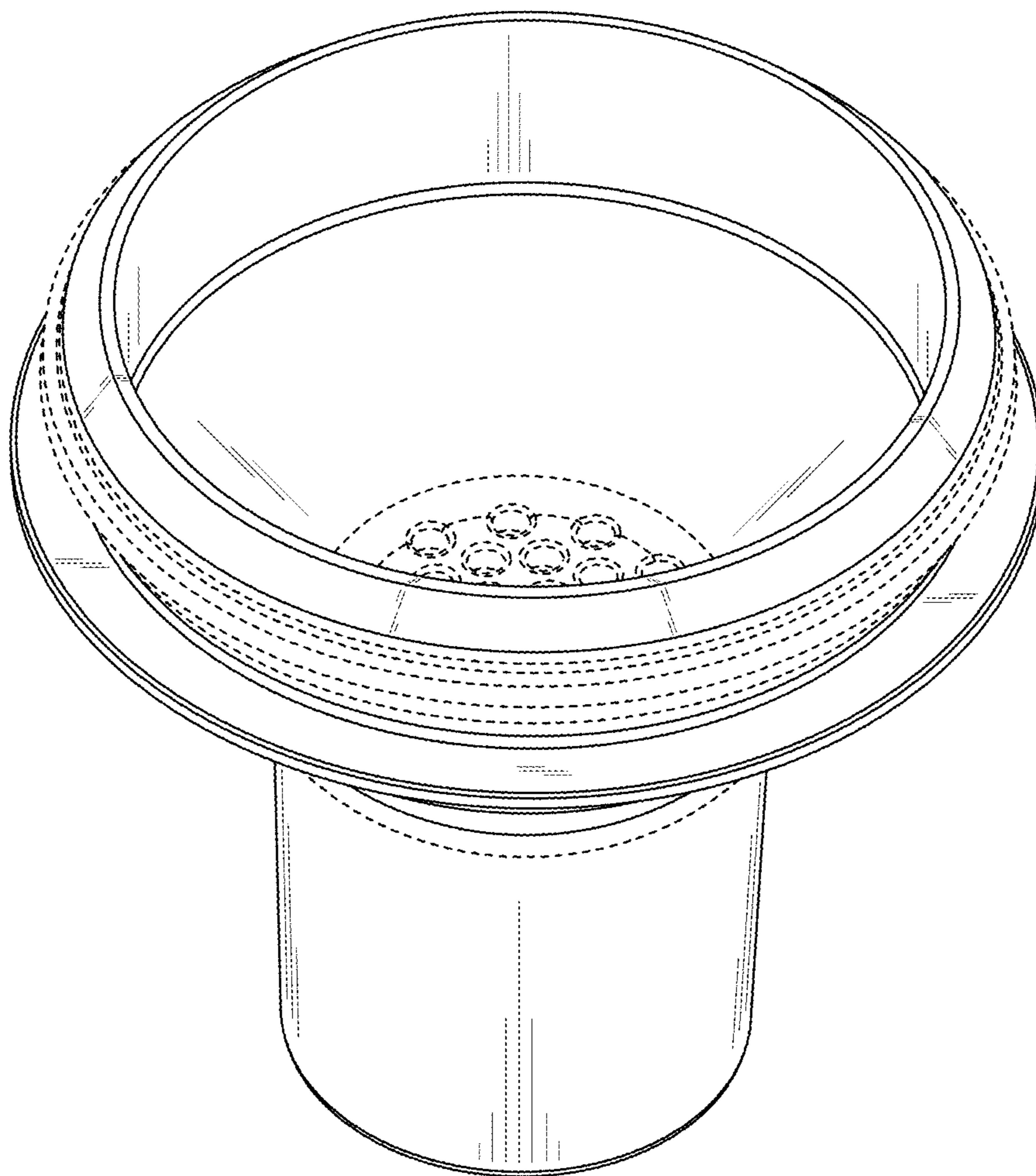


FIG. 3

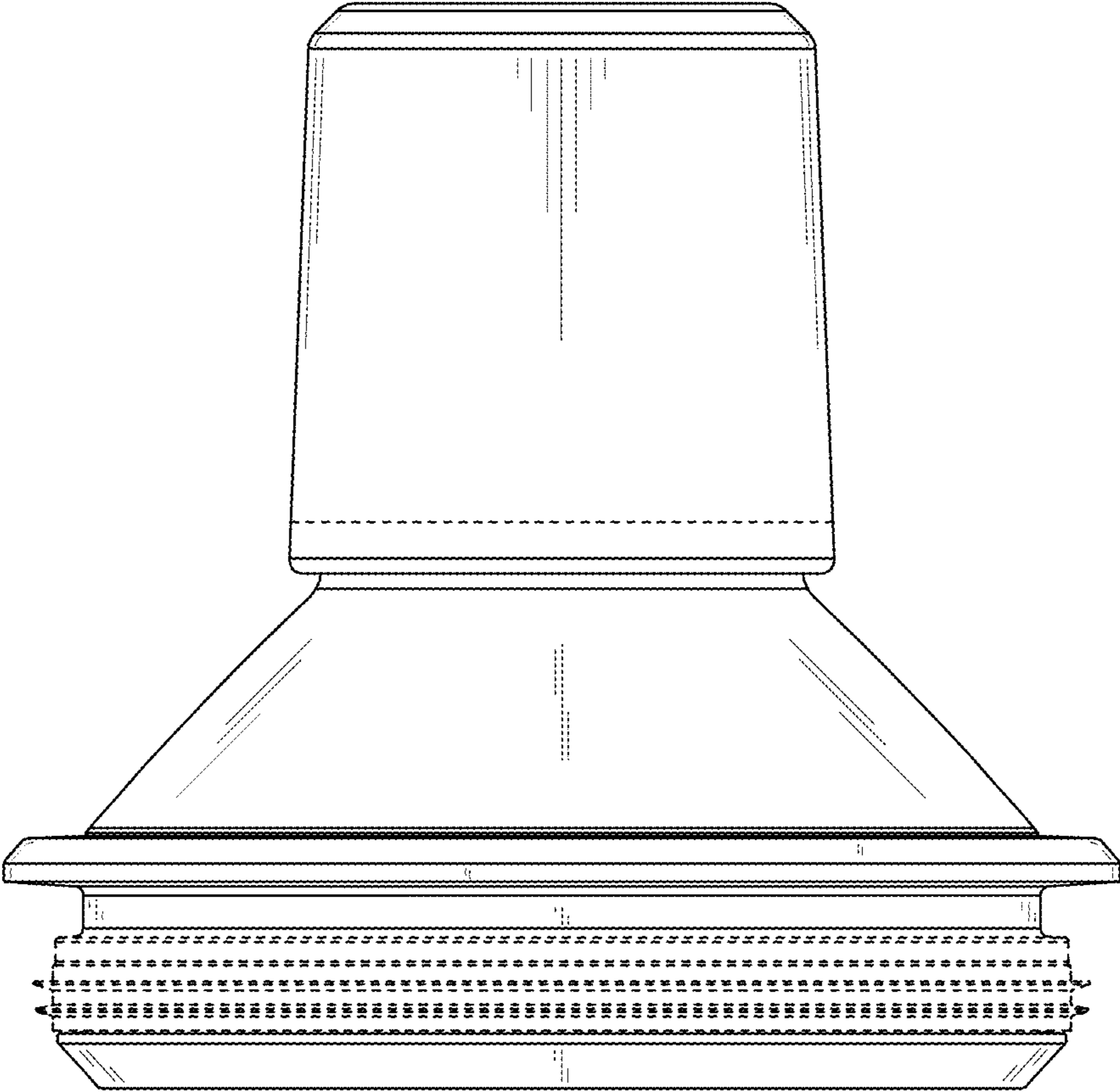


FIG. 4

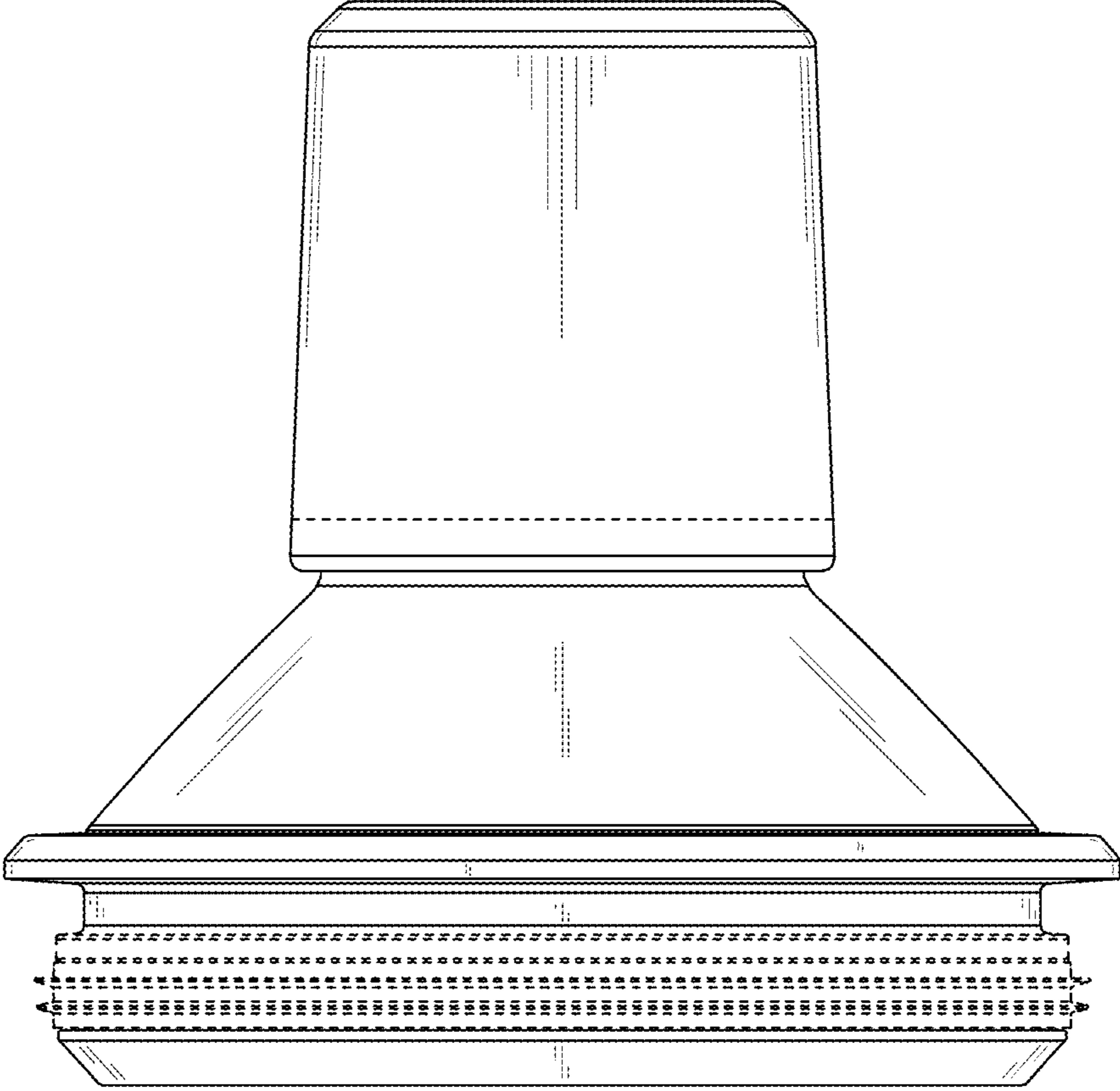


FIG. 5

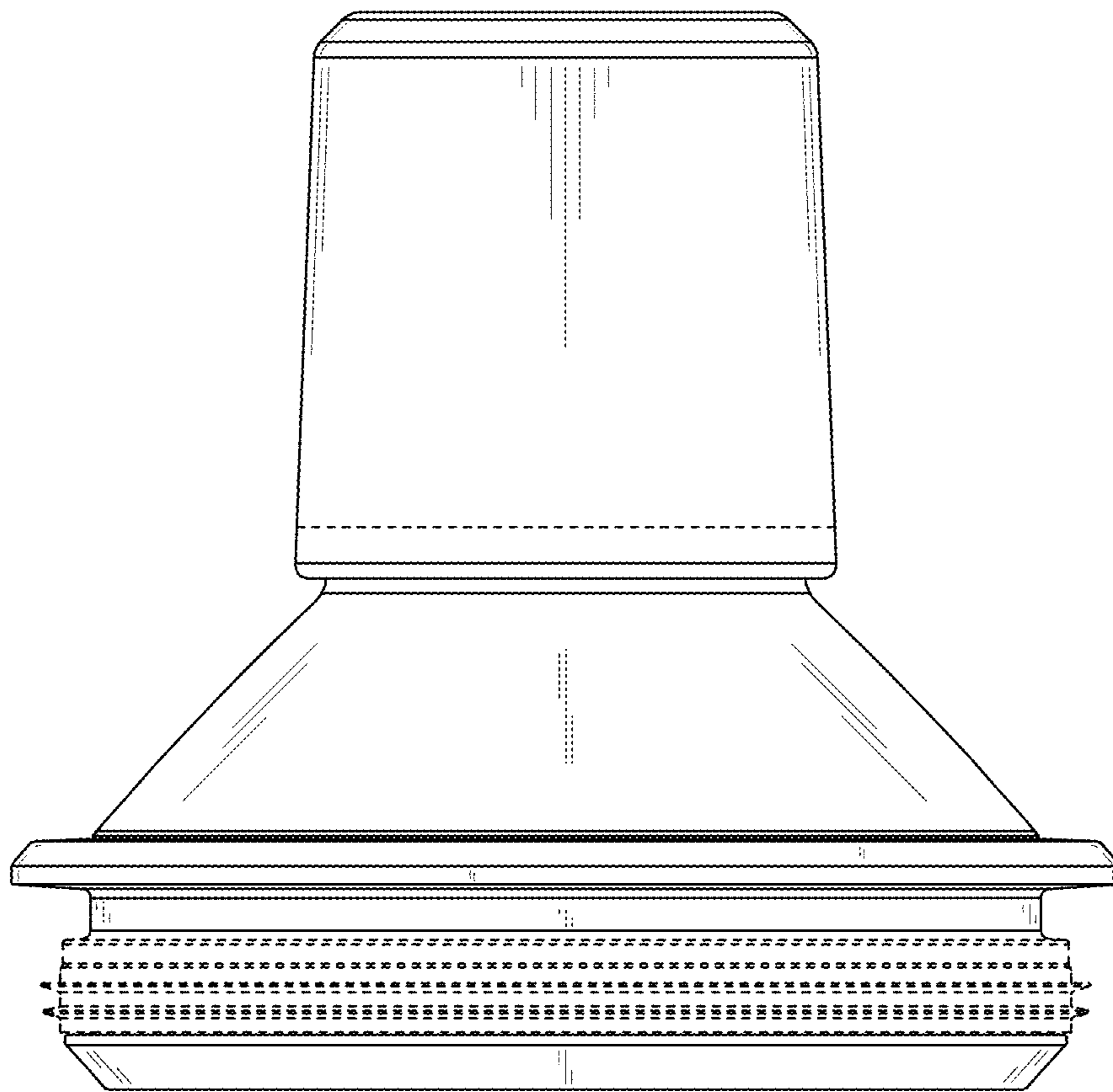


FIG. 6

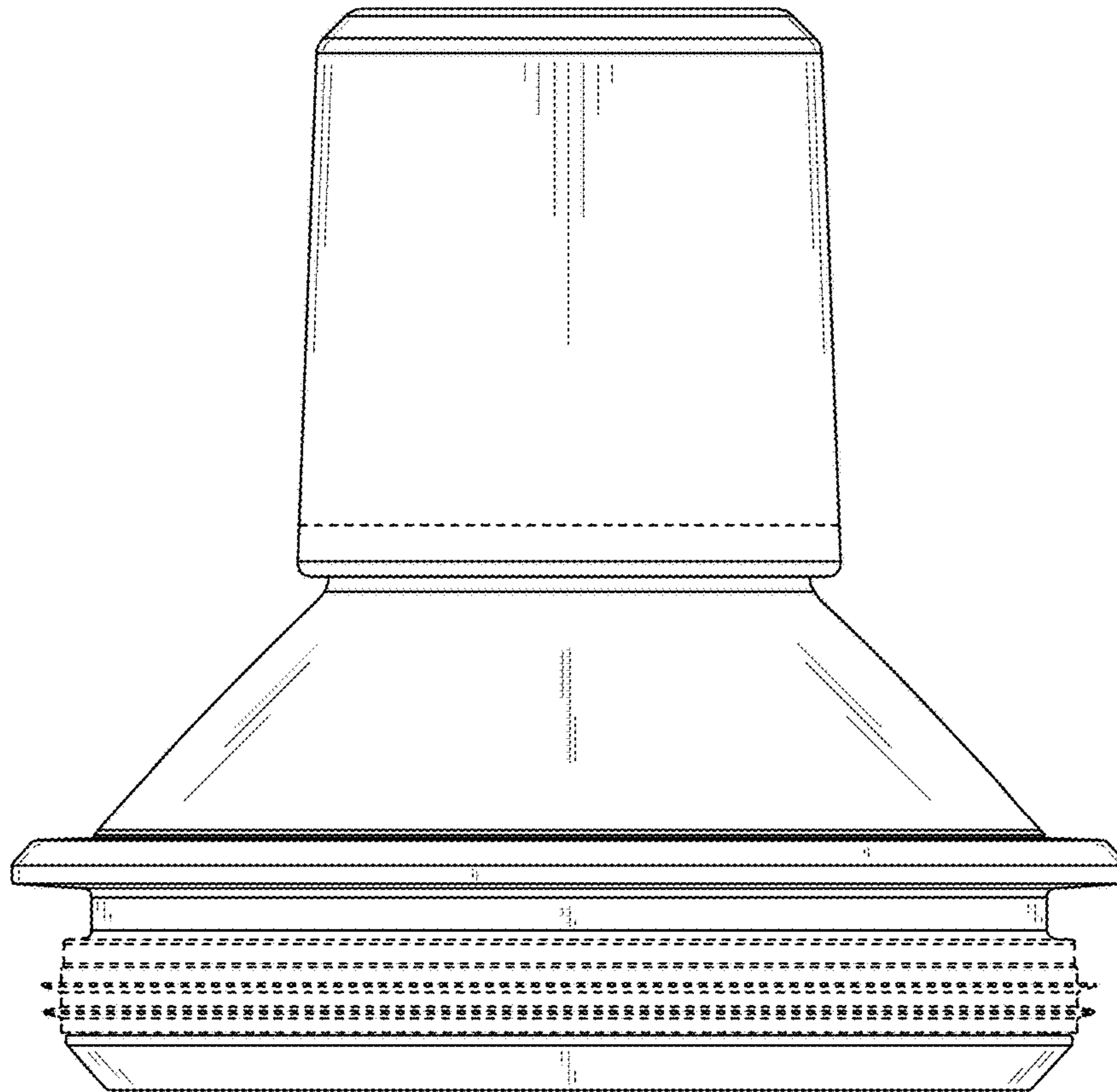


FIG. 7

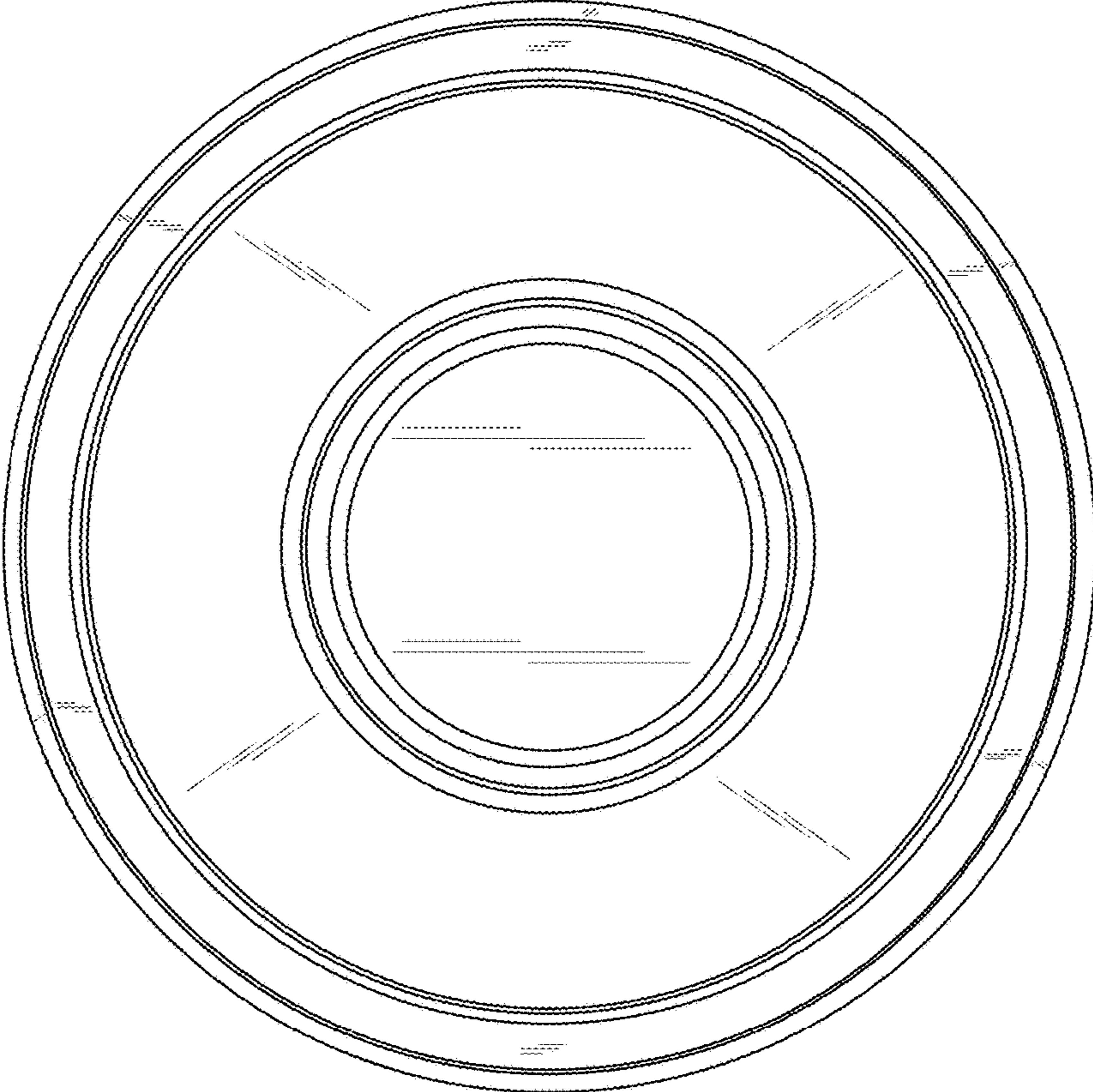


FIG. 8

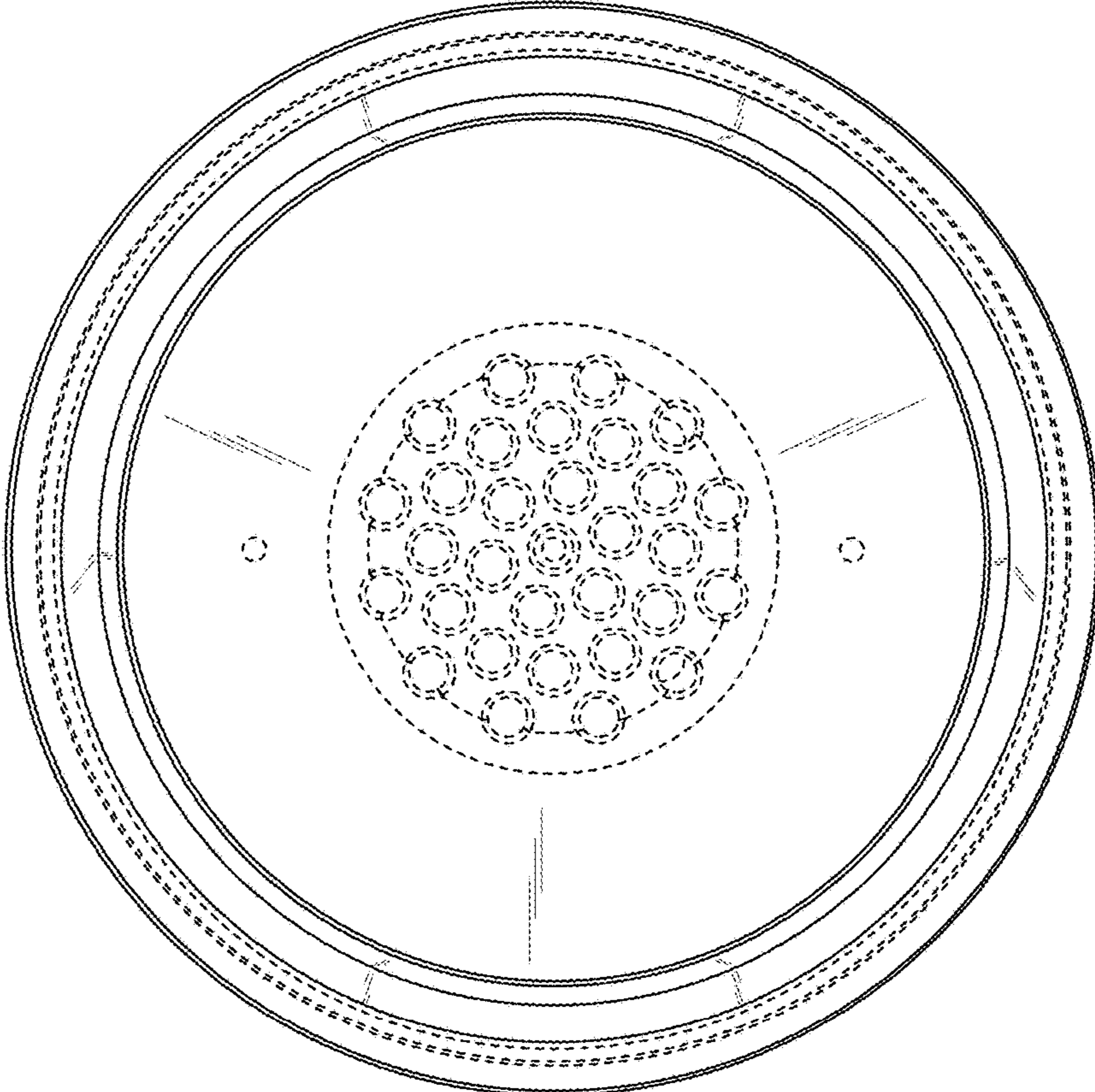


FIG. 9