



US00D817680S

(12) **United States Design Patent** (10) **Patent No.:** **US D817,680 S**
Mahan-Rudolph et al. (45) **Date of Patent:** **** May 15, 2018**

(54) **SEAT SHELL**
(71) Applicant: **KIMBALL INTERNATIONAL, INC.**,
Jasper, IN (US)
(72) Inventors: **Sasha Mahan-Rudolph**, Dallas, TX
(US); **Derek Schweikarth**, Celestine,
IN (US)
(73) Assignee: **Kimball International, Inc.**, Jasper, IN
(US)

D183,416 S 8/1958 Bellmann
D197,283 S 1/1964 Williams
3,380,778 A 4/1968 Barecki
3,567,277 A 3/1971 Van Ryn
3,601,443 A 8/1971 Jones
3,771,226 A 11/1973 Lieb et al.
D230,669 S 3/1974 Hendrickson et al.
3,814,474 A 6/1974 Baker et al.
(Continued)

(**) Term: **15 Years**

FOREIGN PATENT DOCUMENTS
CN 201968154 9/2011
CN 202014837 10/2011
(Continued)

(21) Appl. No.: **29/581,765**

(22) Filed: **Oct. 21, 2016**

OTHER PUBLICATIONS

I-Desk Muse Chair. [online] Published on Dec. 5, 2015. Retrieved
Oct. 30, 2017 from URL: <https://officechairsusa.com/muse-chair/#sthash.Z6RXb0s5.dpbs>.
(Continued)

Related U.S. Application Data

(62) Division of application No. 29/527,856, filed on May
22, 2015, now Pat. No. Des. 772,626.

(51) **LOC (11) Cl.** **06-06**

(52) **U.S. Cl.**
USPC **D6/716.4**

(58) **Field of Classification Search**
USPC D6/335-336, 349-353, 360, 364-367,
D6/691-691.9, 692-692.6, 716-716.5
CPC A47B 7/00; A47B 7/02; A47B 9/00; A47B
13/02; A47B 23/00; A47B 39/00; A47C
7/002; A47C 7/18; A47C 3/18; A47C
9/007; A47C 9/10; A47C 11/00; A47C
12/00; A47C 13/00
See application file for complete search history.

Primary Examiner — Vy N Koenig
(74) *Attorney, Agent, or Firm* — Faegre Baker Daniels
LLP

(57) **CLAIM**

The ornamental design for a seat shell, as shown and
described.

DESCRIPTION

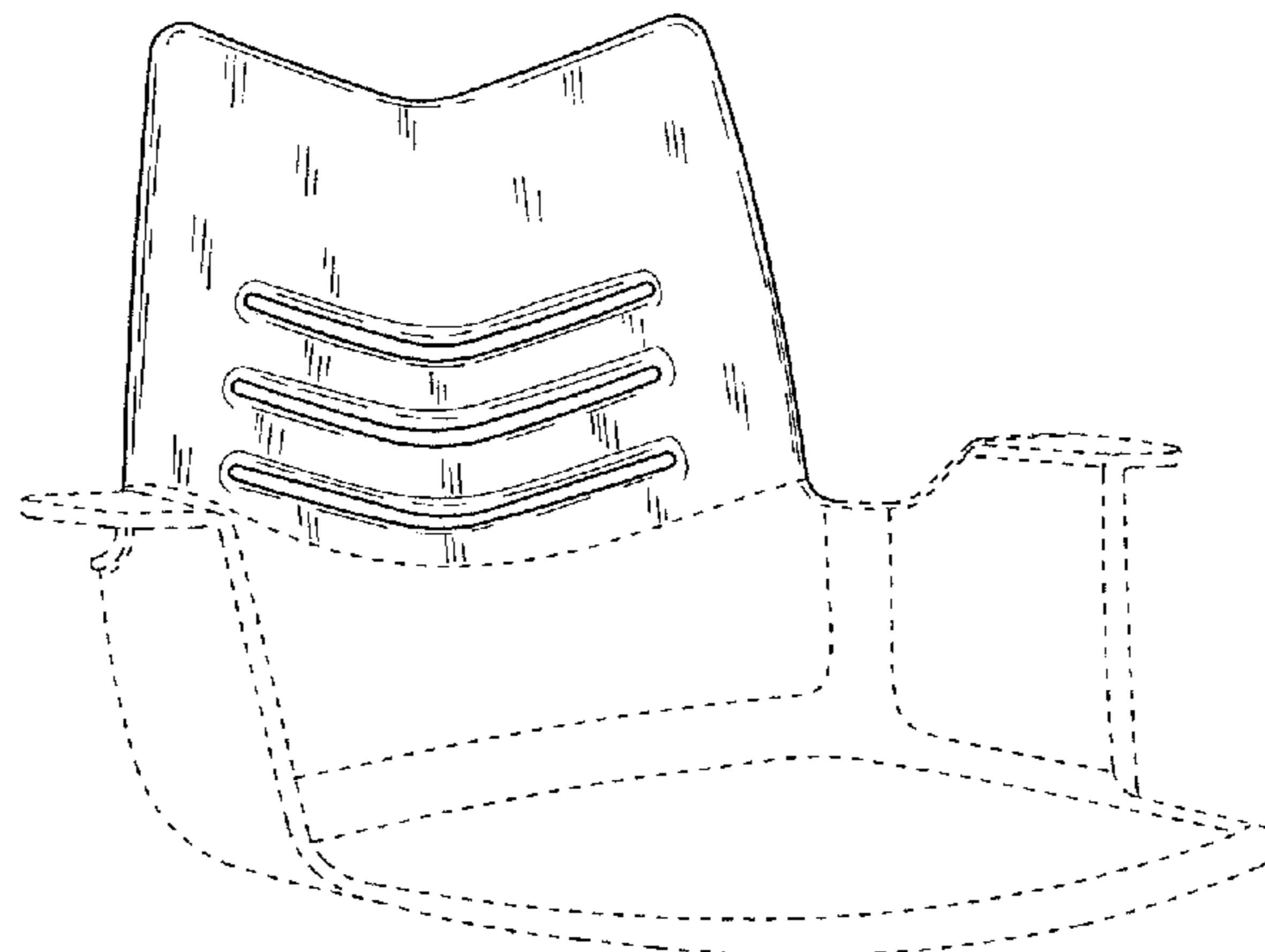
FIG. 1 is a front perspective view of a seat shell according
to our new design;
FIG. 2 is a front view thereof;
FIG. 3 is a rear view thereof;
FIG. 4 is a left side view thereof;
FIG. 5 is a right side view thereof; and,
FIG. 6 is a top view thereof.
The dashed lines in the drawings depict portions of the seat
shell that form no part of the claimed design.

(56) **References Cited**

U.S. PATENT DOCUMENTS

564,044 A 7/1896 Berkemeyer
1,322,551 A 11/1919 Efav
1,352,409 A 9/1920 Hoefener
1,391,222 A 9/1921 Van Fleet
D181,945 S 1/1958 Saarinen

1 Claim, 3 Drawing Sheets



(56)

References Cited

U.S. PATENT DOCUMENTS

4,136,908 A 1/1979 Crayne
 4,203,624 A 5/1980 Hopkins
 D261,577 S 11/1981 Heritage
 D261,578 S 11/1981 Heritage
 5,169,210 A 12/1992 Fricano
 5,601,331 A 2/1997 Austin, Jr. et al.
 5,954,393 A 9/1999 Perrin
 6,422,646 B1 7/2002 McNally
 6,669,282 B2 12/2003 Piretti
 6,776,452 B2 8/2004 Onishi
 D497,261 S 10/2004 Epp et al.
 7,073,853 B2 7/2006 Onishi
 D546,574 S * 7/2007 Kaloustian D6/374
 7,370,910 B2 5/2008 Piretti
 7,530,632 B2 5/2009 Kaloustian et al.
 D601,357 S * 10/2009 Siegel D6/334
 7,726,732 B1 6/2010 Keating
 7,731,277 B2 6/2010 Weber et al.
 D636,612 S 4/2011 Overthun et al.
 D636,613 S 4/2011 Overthun et al.
 D646,085 S 10/2011 Overthun et al.
 D646,497 S 10/2011 Overthun et al.
 D648,158 S 11/2011 Kubryk
 D649,368 S 11/2011 Benden
 D652,224 S * 1/2012 Ferrier D6/373
 D655,103 S * 3/2012 Barile D6/374
 D667,243 S 9/2012 Su
 D674,615 S 1/2013 Blomstrom et al.
 D679,517 S 4/2013 Corcorran et al.
 D679,523 S 4/2013 Corcorran et al.
 D679,524 S 4/2013 Corcorran et al.
 D679,525 S 4/2013 Corcorran et al.
 D679,923 S 4/2013 Corcorran et al.
 D686,439 S * 7/2013 Glass D6/716
 D689,723 S 9/2013 Corcorran et al.
 D690,143 S 9/2013 Corcorran et al.
 D690,545 S 10/2013 Blomstrom et al.
 D694,054 S 11/2013 Blomstrom et al.
 8,696,056 B2 4/2014 Corcorran et al.
 D769,659 S * 10/2016 Su D6/373
 D771,424 S * 11/2016 Cantarutti D6/716
 D771,961 S * 11/2016 Mahan-Rudolph D6/341

D771,988 S * 11/2016 Schweikarth D6/375
 D772,626 S * 11/2016 Mahan-Rudolph D6/716.1
 9,693,625 B2 * 7/2017 Lu A47B 83/02
 D793,755 S * 8/2017 Xingchang D6/338
 D799,227 S * 10/2017 Martinez D6/360
 D799,232 S * 10/2017 Cvek D6/375
 D799,845 S * 10/2017 Cvek D6/375
 2005/0012371 A1 * 1/2005 Mendenhall A47C 1/124
 297/248
 2005/0140187 A1 6/2005 Kordecki
 2005/0284920 A1 12/2005 Martin et al.
 2007/0128407 A1 * 6/2007 Kerr A47B 96/00
 428/138
 2007/0267902 A1 11/2007 Hill et al.
 2008/0231091 A1 9/2008 Goranson
 2012/0126587 A1 5/2012 Seo
 2012/0267923 A1 10/2012 Bouche
 2014/0097650 A1 4/2014 Corcorran et al.
 2014/0210237 A1 7/2014 Corcorran et al.
 2017/0164744 A1 * 6/2017 Ballendat A47C 3/04

FOREIGN PATENT DOCUMENTS

DE	299 07 084	9/1999
DE	201 02 904	8/2002
FR	2 837 682	10/2003
GB	2 358 792	8/2001
JP	2002058564	2/2002
JP	2002153354	5/2002
JP	2002300933	10/2002
JP	2003038295	2/2003
JP	2005230304	9/2005
JP	2010046397	3/2010
KR	2008046365	5/2008
NL	1014334	8/2001

OTHER PUBLICATIONS

Baxton Studio Pascal Plastic Mid-Century Modern Shell Chair.
 [online] Published on Dec. 12, 2015. Retrieved Oct. 30, 2017 from
 URL: <https://www.amazon.ca/Baxton-Studio-Pascal-Plastic-Mid-Century/dp/B006W3CJT4>.*

* cited by examiner

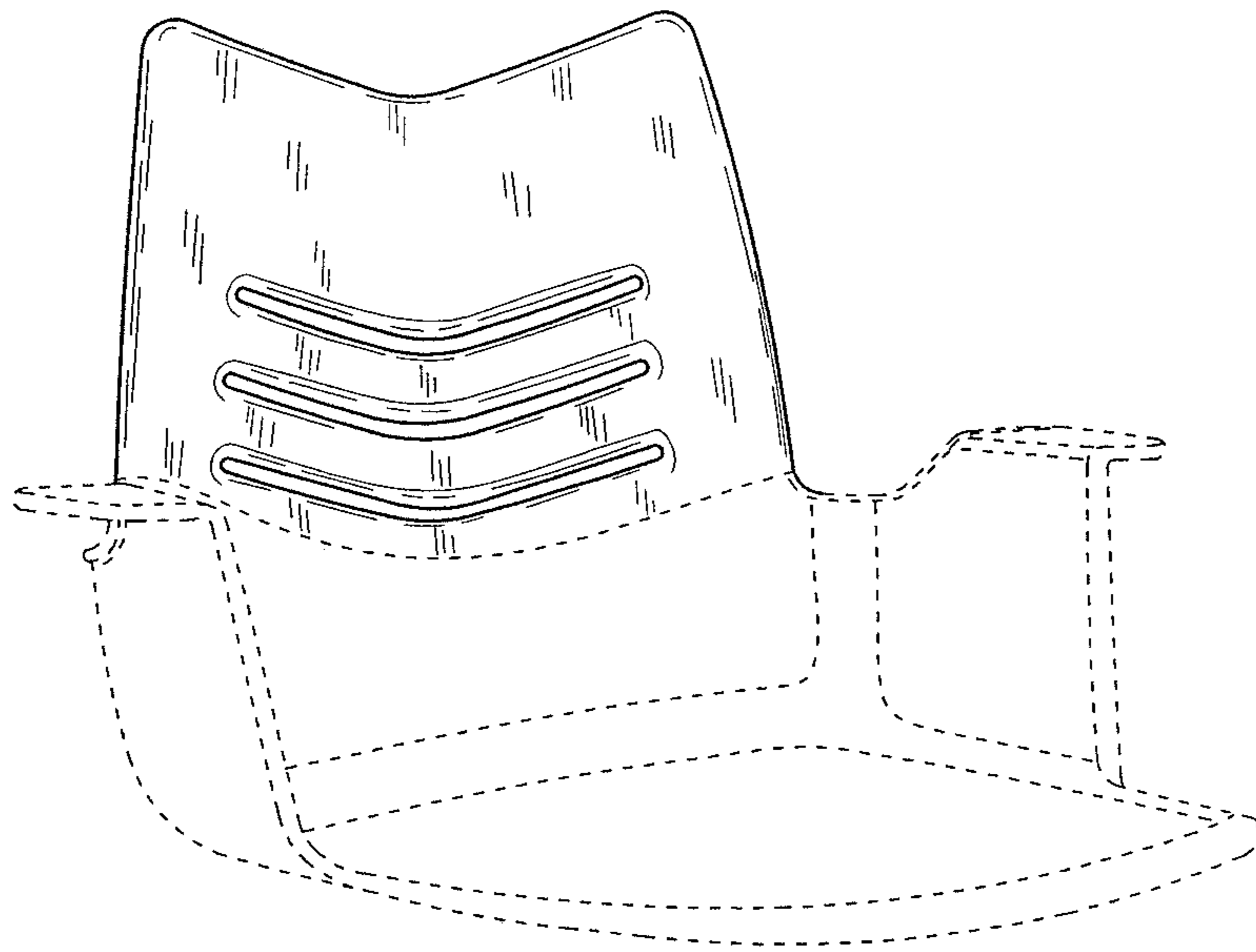


FIG. 1

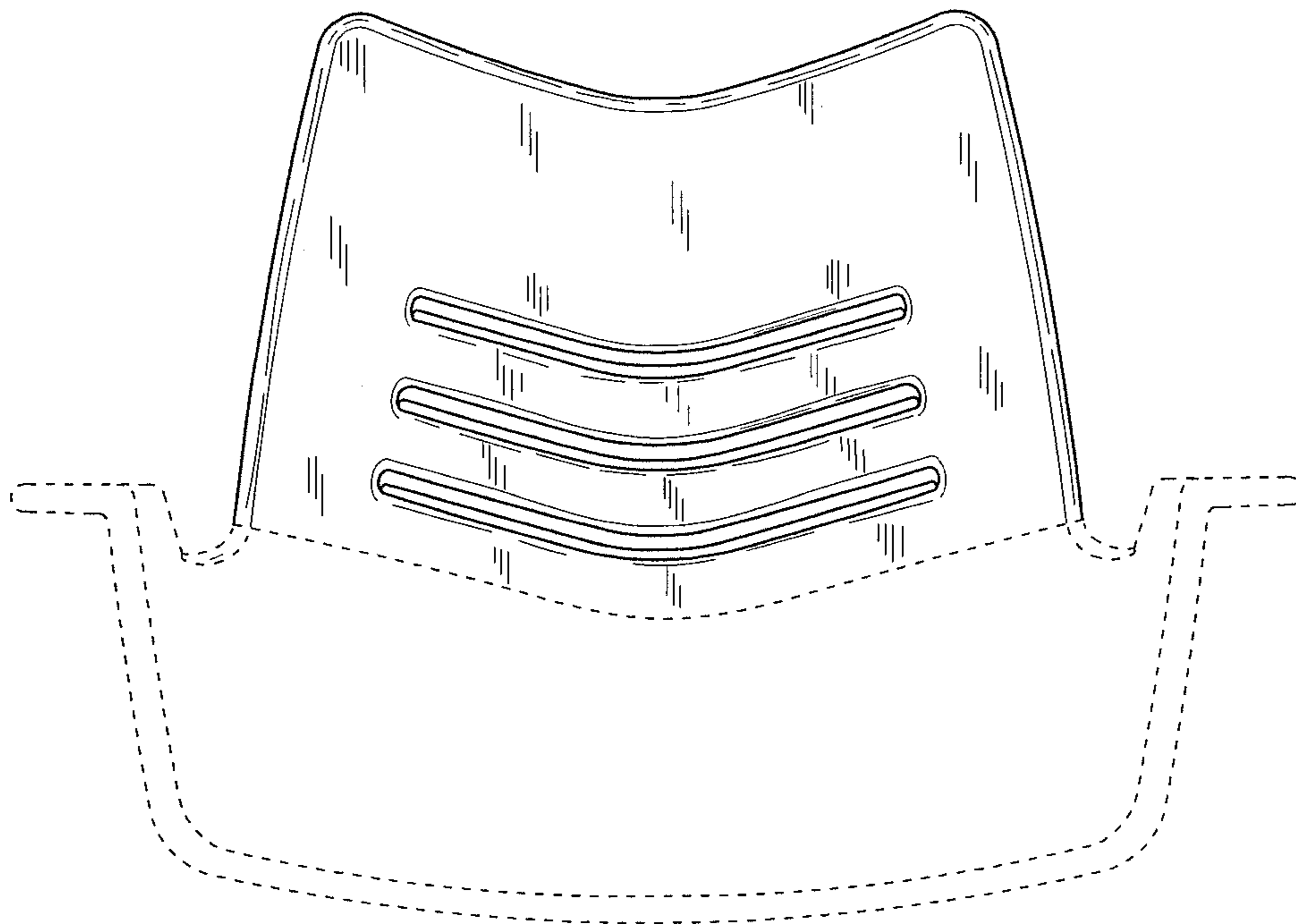


FIG. 2

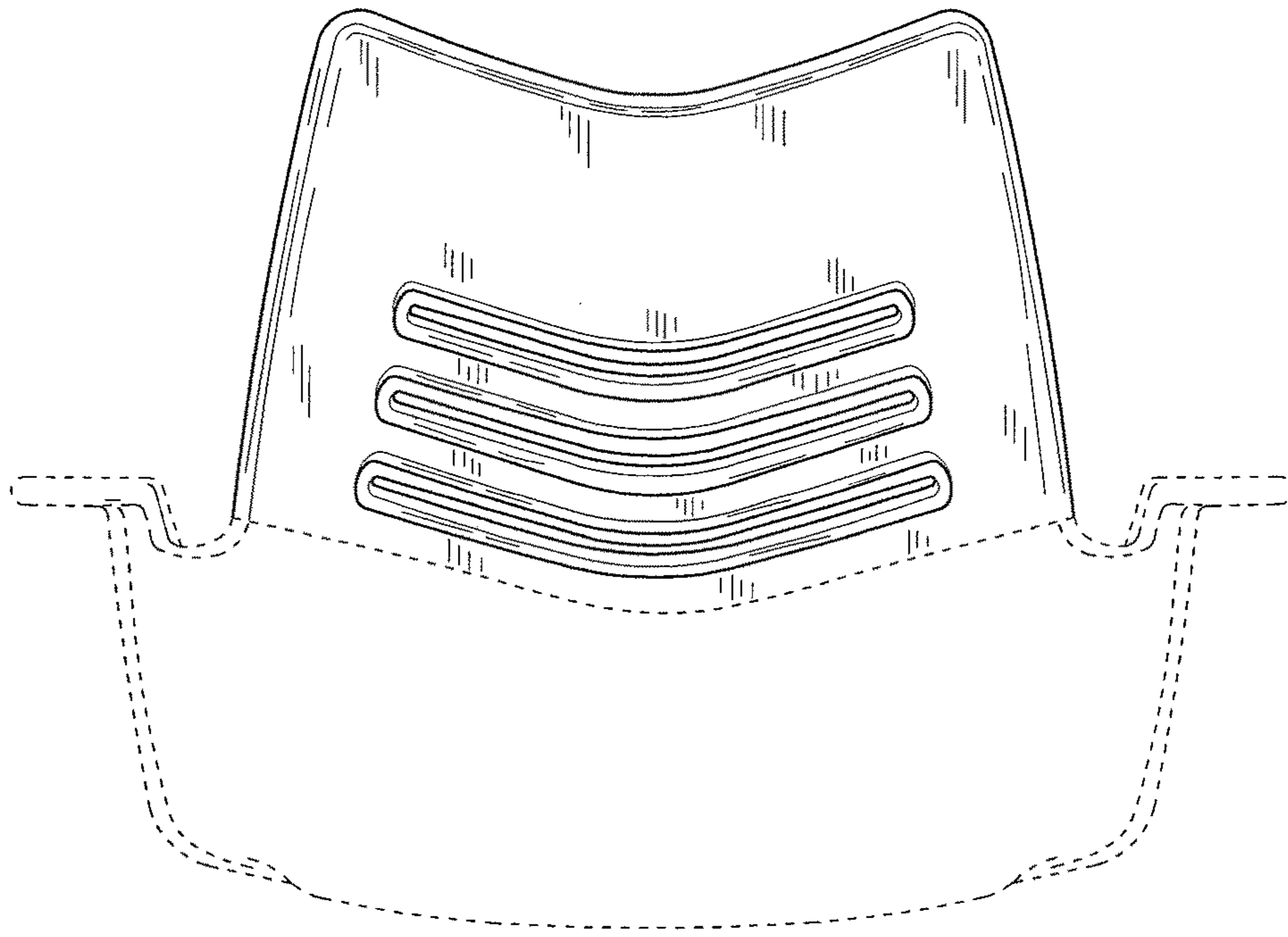


FIG. 3

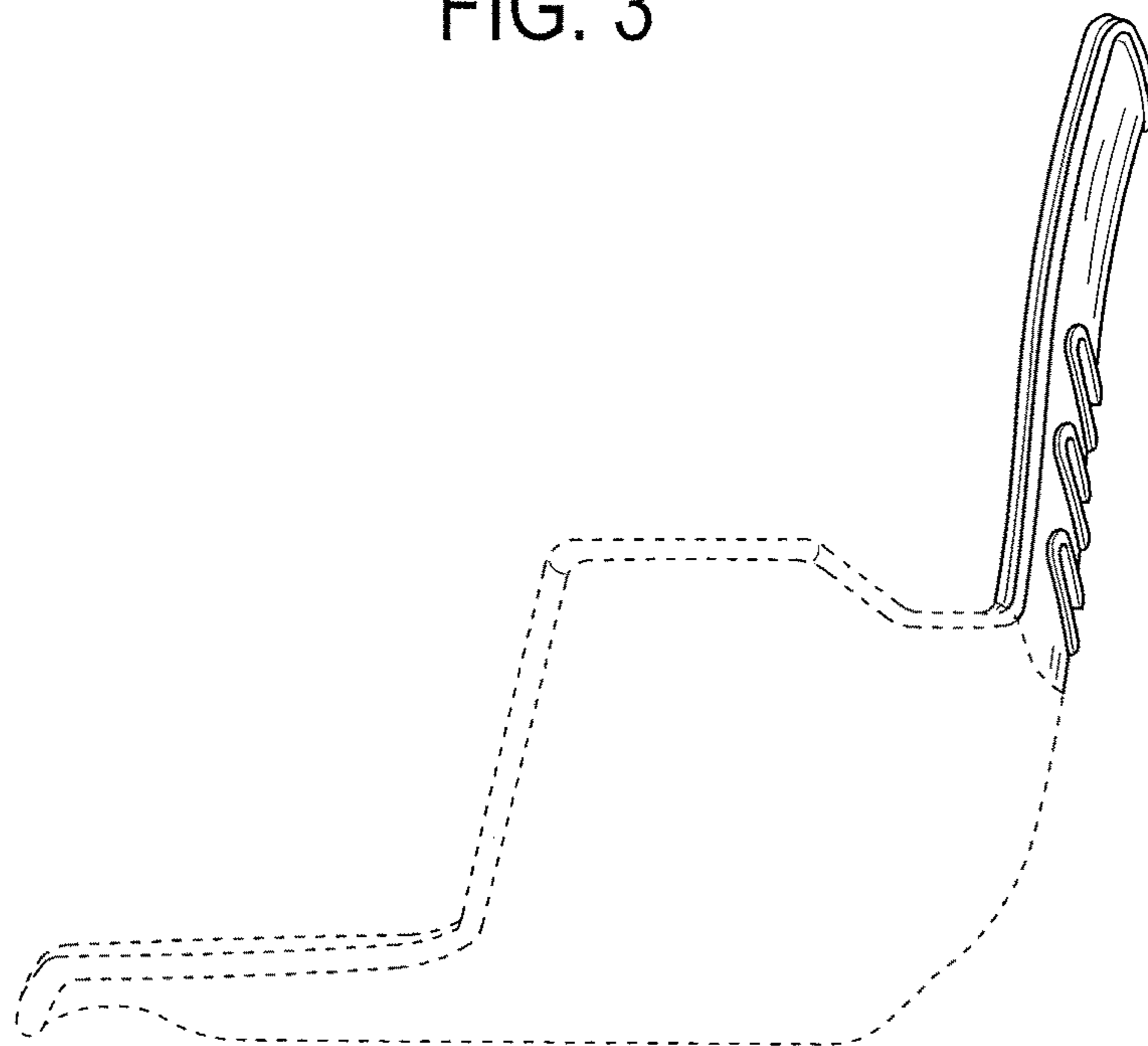


FIG. 4

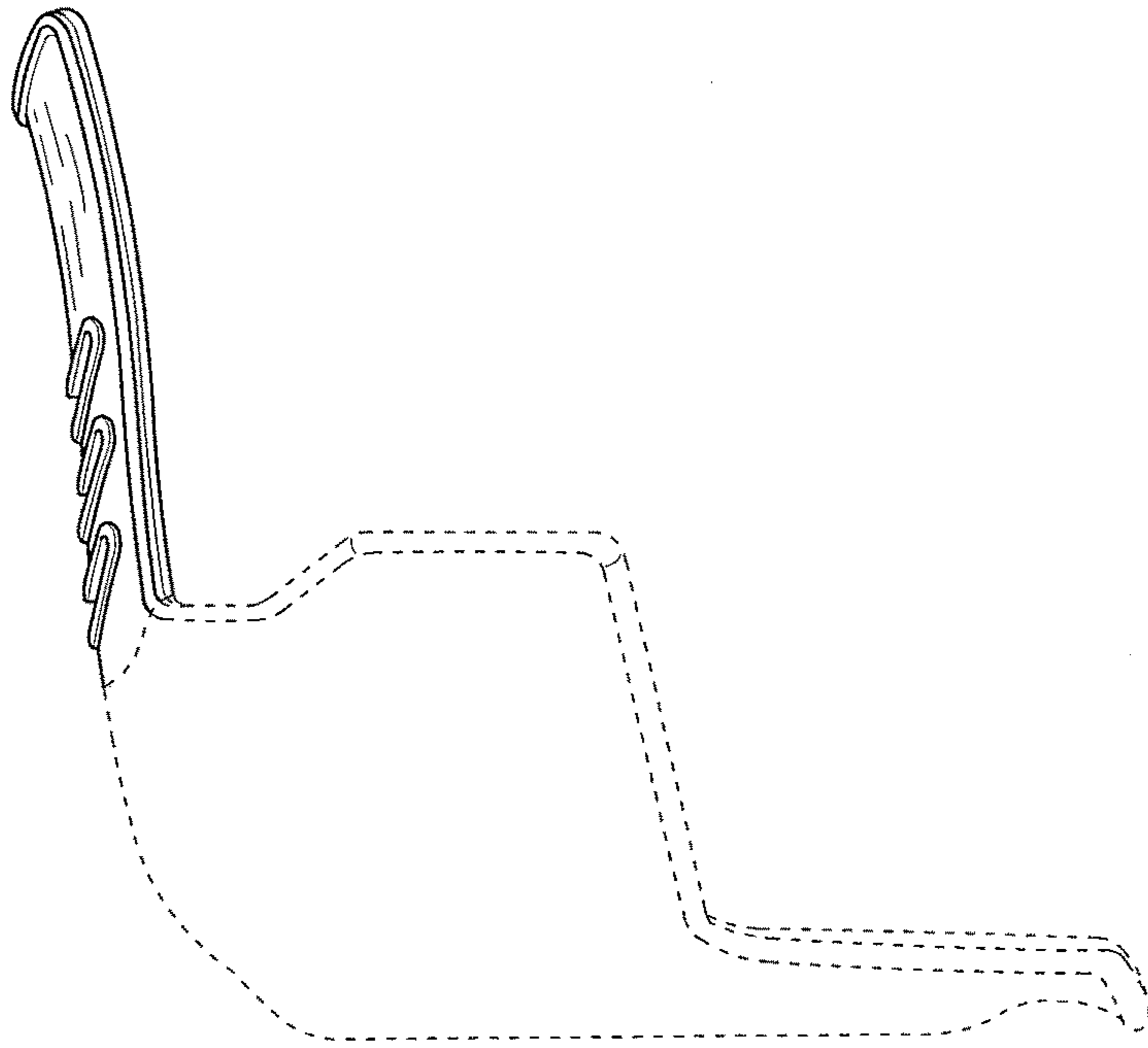


FIG. 5



FIG. 6