



US00D817677S

(12) **United States Design Patent** (10) **Patent No.:** **US D817,677 S**
Wu (45) **Date of Patent:** **** May 15, 2018**

(54) **OFFICE SCREEN**
(71) Applicant: **Yao-Chuan Wu**, Chiayi Hsien (TW)
(72) Inventor: **Yao-Chuan Wu**, Chiayi Hsien (TW)
(**) Term: **15 Years**
(21) Appl. No.: **29/531,729**
(22) Filed: **Jun. 29, 2015**
(51) **LOC (11) Cl.** **06-06**
(52) **U.S. Cl.**
USPC **D6/714**
(58) **Field of Classification Search**
USPC D6/332, 640, 643, 643.1, 699.5, 702,
D6/705.4, 705.5, 706, 714; D25/58, 138
CPC A47B 21/02; A47B 96/04; A47B 96/20;
A47B 2200/01; A47B 2200/12
See application file for complete search history.

(56) **References Cited**
U.S. PATENT DOCUMENTS
D299,795 S * 2/1989 Helstab D6/332
D305,582 S * 1/1990 Zapf D6/332
D318,574 S * 7/1991 Witzig D6/332

D564,764 S * 3/2008 Springer D6/332
D572,511 S * 7/2008 Bohler D6/705.4
D572,512 S * 7/2008 Kampl D6/705.4
D603,974 S * 11/2009 Hamilton D25/58
D613,080 S * 4/2010 Tsuchiyama D6/332
D638,237 S * 5/2011 Holzer D6/705.5
D684,400 S * 6/2013 Gasser D6/705.5
D717,573 S * 11/2014 Fishman D20/44
2017/0273453 A1 * 9/2017 Wu

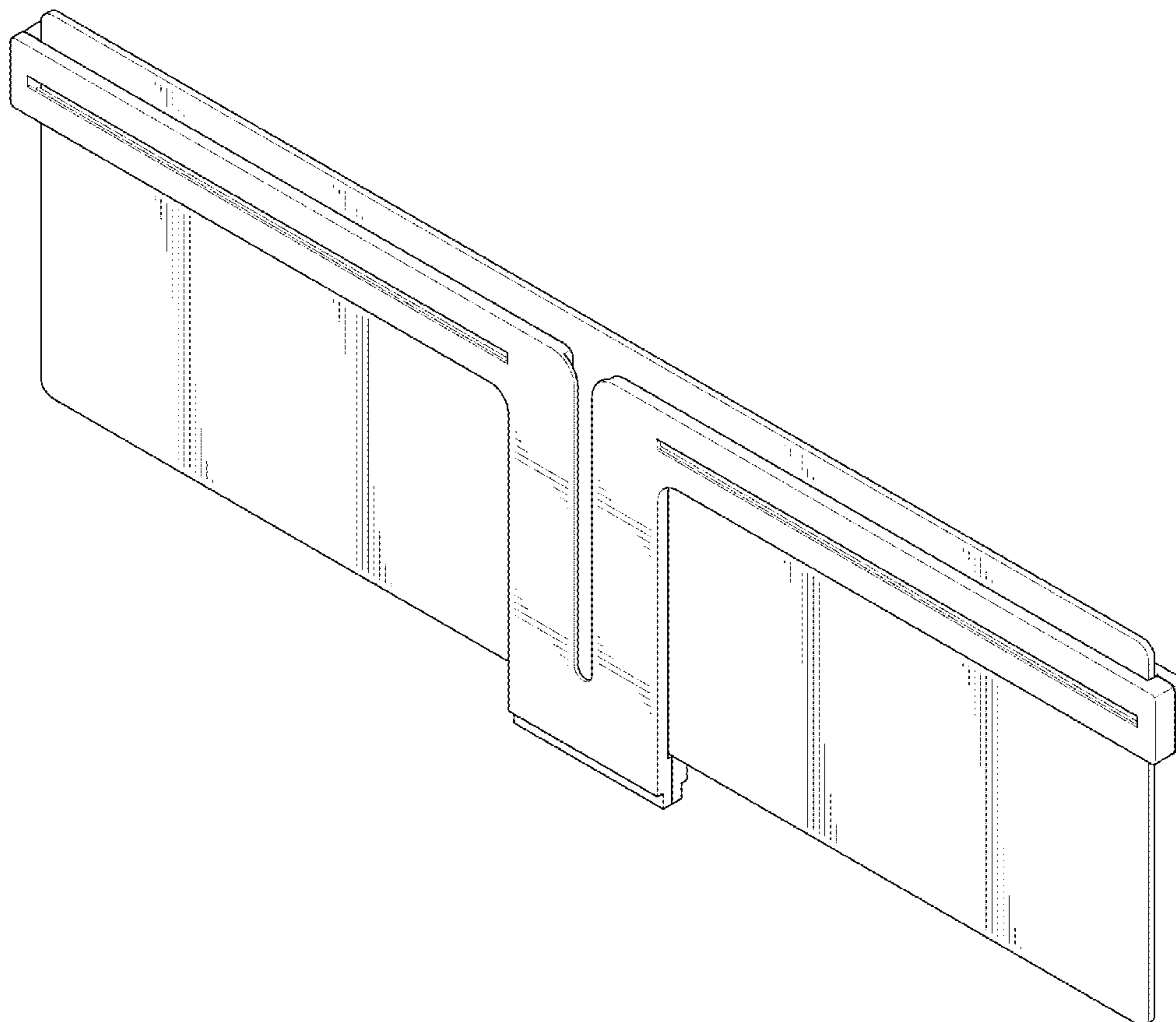
* cited by examiner

Primary Examiner — Mary Ann Calabrese
(74) *Attorney, Agent, or Firm* — patenttm.us

(57) **CLAIM**
The ornamental design for an office screen, as shown.

DESCRIPTION
FIG. 1 is a top perspective view of an office screen showing my new design;
FIG. 2 is a front view thereof;
FIG. 3 is a rear view thereof;
FIG. 4 is a left side view thereof;
FIG. 5 is a right side view thereof;
FIG. 6 is a top view thereof;
FIG. 7 is a bottom view thereof; and,
FIG. 8 is a bottom perspective view thereof.

1 Claim, 7 Drawing Sheets



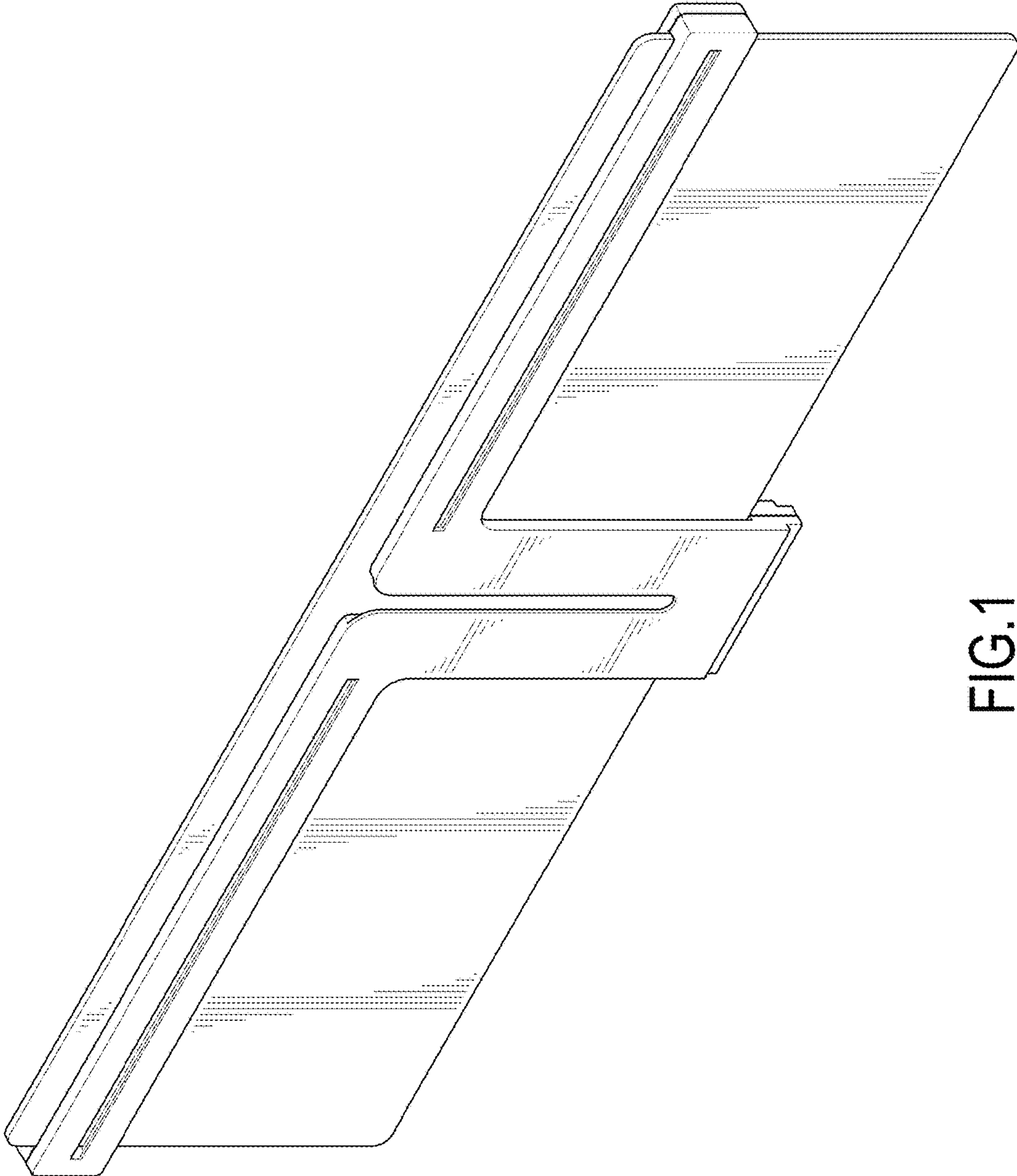


FIG.1

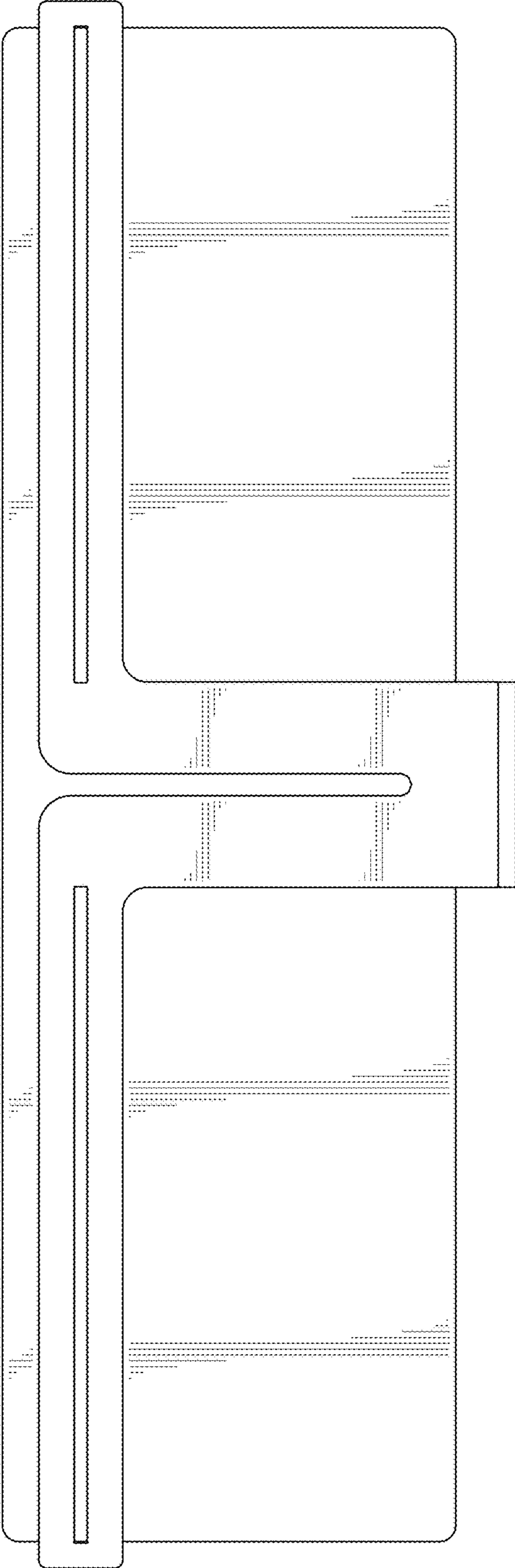


FIG.2

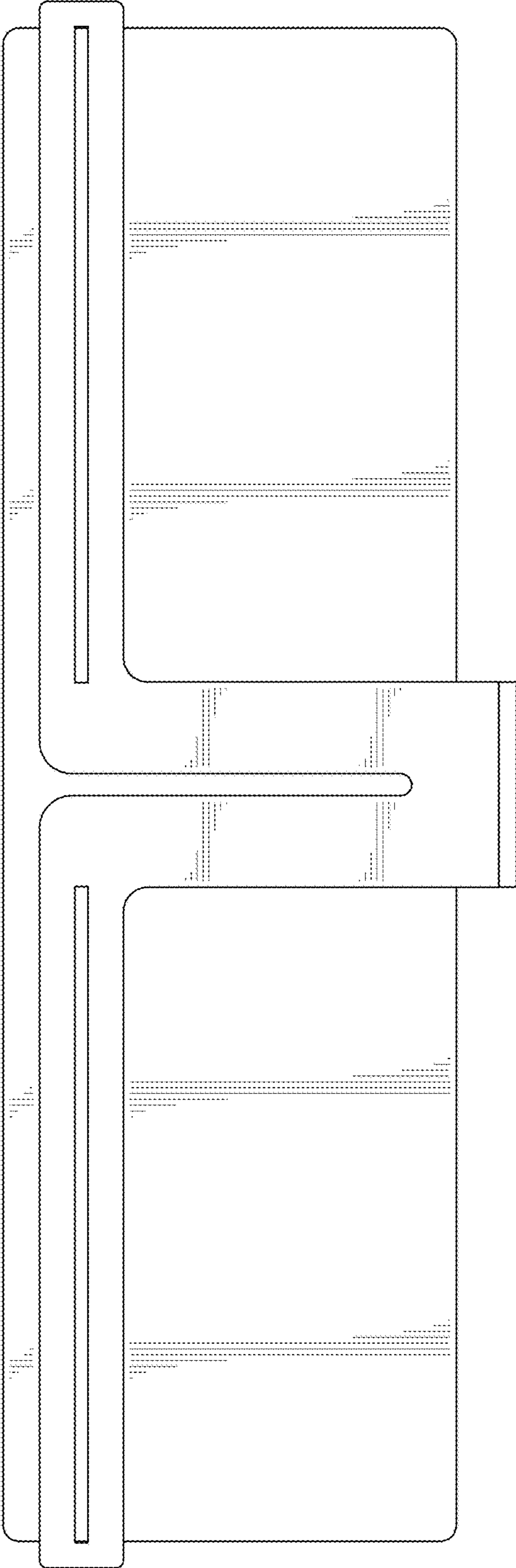


FIG.3

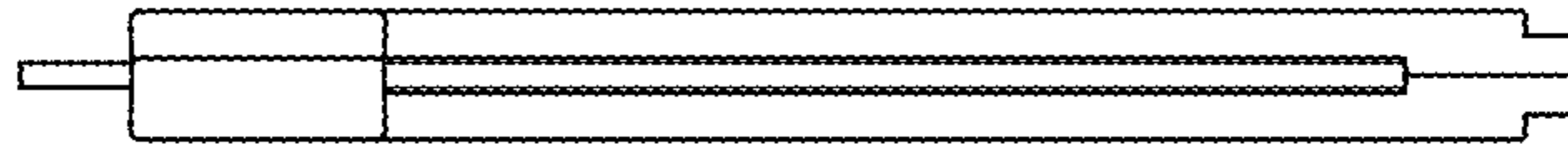


FIG.5



FIG.4



FIG.6



FIG.7

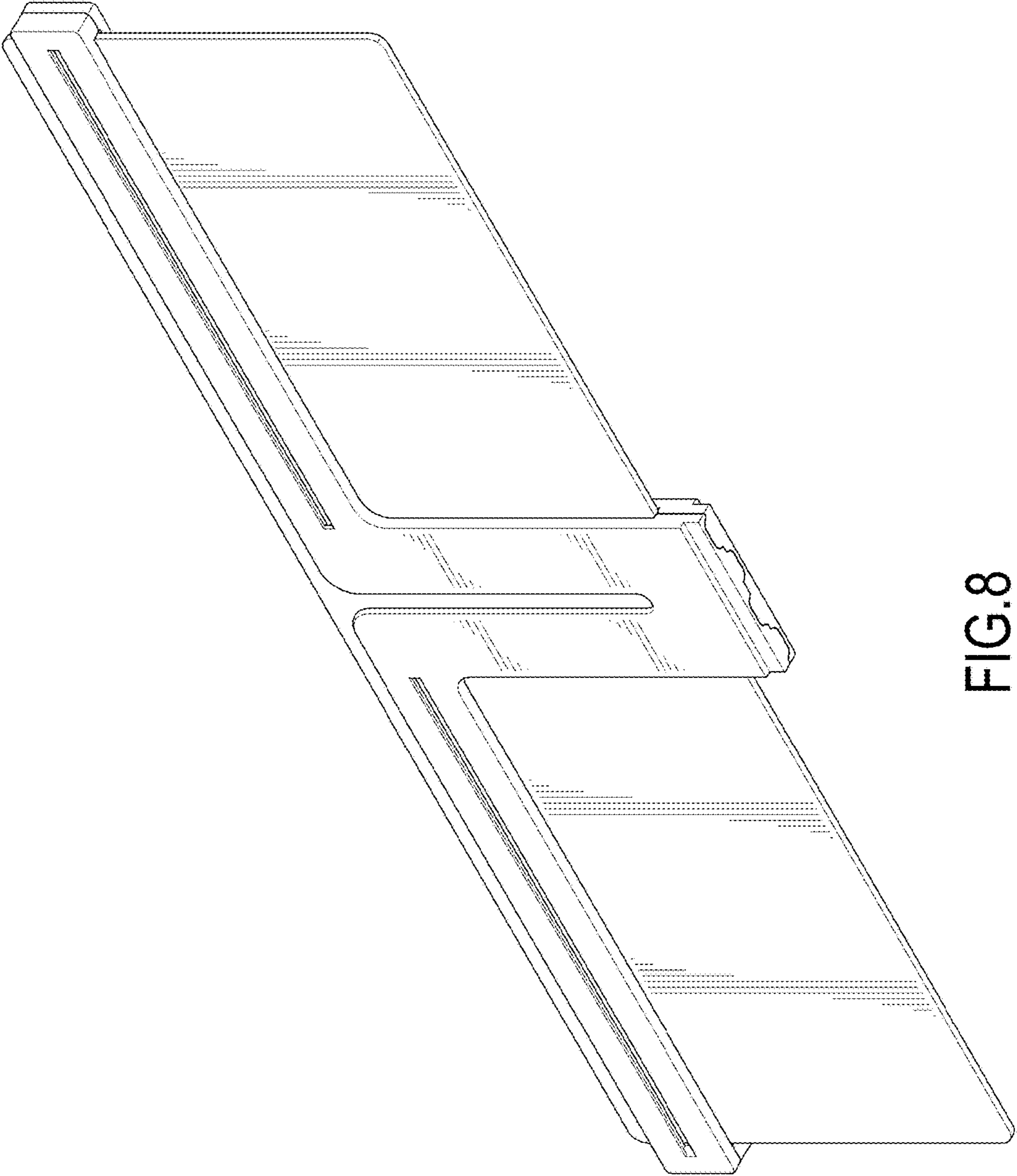


FIG.8