



US00D817676S

(12) **United States Design Patent** (10) **Patent No.:** **US D817,676 S**  
**Herring et al.** (45) **Date of Patent:** **\*\* May 15, 2018**

- (54) **DESK MONITOR RISER**
- (71) Applicant: **Spindle 360, Inc.**, Georgetown, TX (US)
- (72) Inventors: **Jason Herring**, Georgetown, TX (US); **Shane Gilbreath**, Georgetown, TX (US)
- (73) Assignee: **Spindle 360, Inc.**, Georgetown, TX (US)
- (\*\*) Term: **15 Years**
- (21) Appl. No.: **29/572,308**
- (22) Filed: **Jul. 27, 2016**
- (51) **LOC (11) Cl.** ..... **06-03**
- (52) **U.S. Cl.**  
USPC ..... **D6/705; D6/654**
- (58) **Field of Classification Search**  
USPC ..... D6/641, 648.2, 512, 513, 654, 655.2, D6/656, 661.2, 670, 701, 704, 707, D6/707.24; D14/461; D16/229  
CPC ..... A47B 21/0371; A47B 2200/0093; A47B 2230/0011; A47B 2200/0051; A47B 2200/0052; A47B 2200/0053; A47B 2200/0054; A47B 2200/0055; A47B 21/02  
See application file for complete search history.

- (56) **References Cited**  
U.S. PATENT DOCUMENTS  
D283,094 S \* 3/1986 Strand ..... D6/654  
D334,856 S \* 4/1993 Sielaff ..... D6/654  
D371,687 S \* 7/1996 Sims ..... D6/649  
D401,440 S \* 11/1998 Brandenburg ..... D6/654

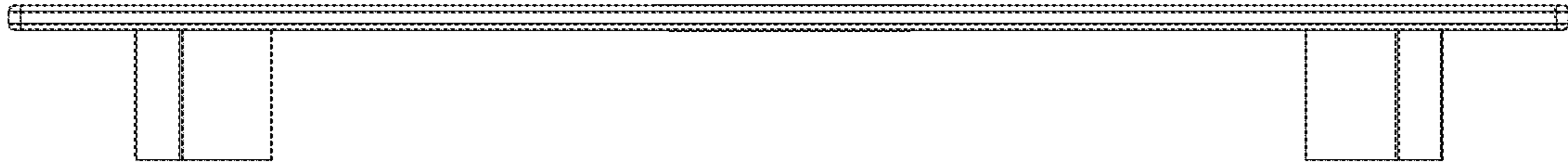
- D424,828 S \* 5/2000 Ko ..... 6/653.1
- D435,368 S \* 12/2000 Tzeng ..... D6/654
- D498,622 S \* 11/2004 Neunzert ..... D6/707
- D586,155 S \* 2/2009 Lenterman ..... D6/654
- D586,165 S \* 2/2009 Lenterman ..... D6/705
- D730,668 S \* 6/2015 Fletcher ..... D6/341
- D758,773 S \* 6/2016 Kim ..... D6/672
- D773,219 S \* 12/2016 Clouse ..... D6/705
- D776,966 S \* 1/2017 Stauss ..... D6/705
- D785,989 S \* 5/2017 Flaherty ..... D6/696

\* cited by examiner  
*Primary Examiner* — Mary Ann Calabrese  
*Assistant Examiner* — Sloan Rozin  
(74) *Attorney, Agent, or Firm* — Kevin Keener; Keener and Associates

(57) **CLAIM**  
The ornamental design for a desk monitor riser, as shown and described.

**DESCRIPTION**  
FIG. 1 is a front view of a desk monitor riser;  
FIG. 2 is a right view thereof;  
FIG. 3 is a left view thereof;  
FIG. 4 is a top view thereof;  
FIG. 5 is a rear view thereof;  
FIG. 6 is a bottom view thereof;  
FIG. 7 is a front top perspective view thereof;  
FIG. 8 is a front bottom perspective view thereof;  
FIG. 9 is a front top perspective view of the desk monitor riser on a desk; and,  
FIG. 10 is a rear top perspective view of the desk monitor riser on a desk.  
The broken lines in the drawings form no part of the claimed design.

**1 Claim, 10 Drawing Sheets**



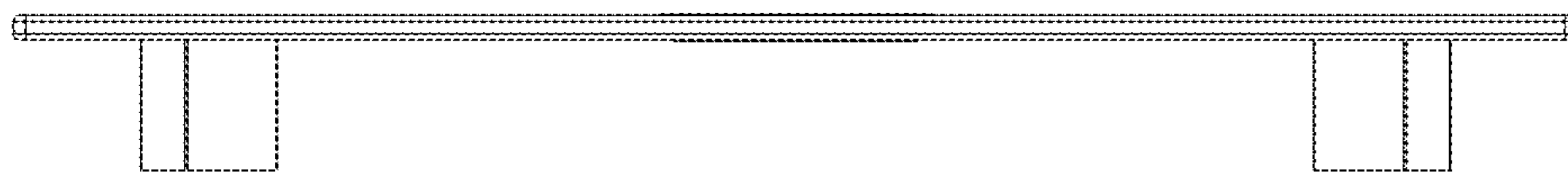


FIG. 1

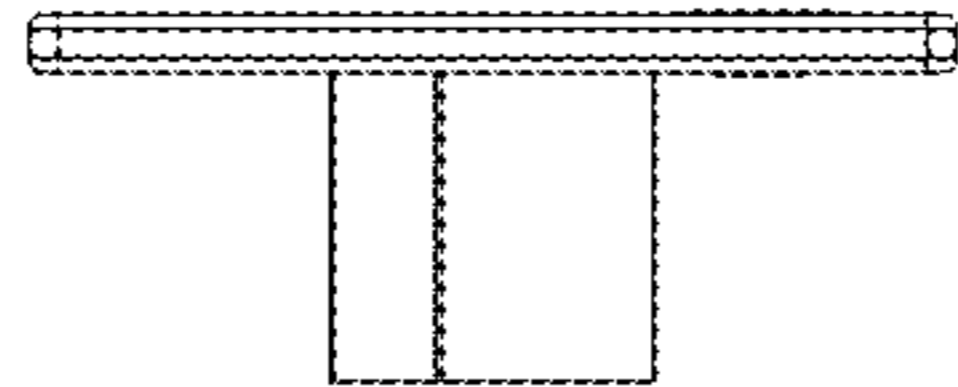


FIG. 2

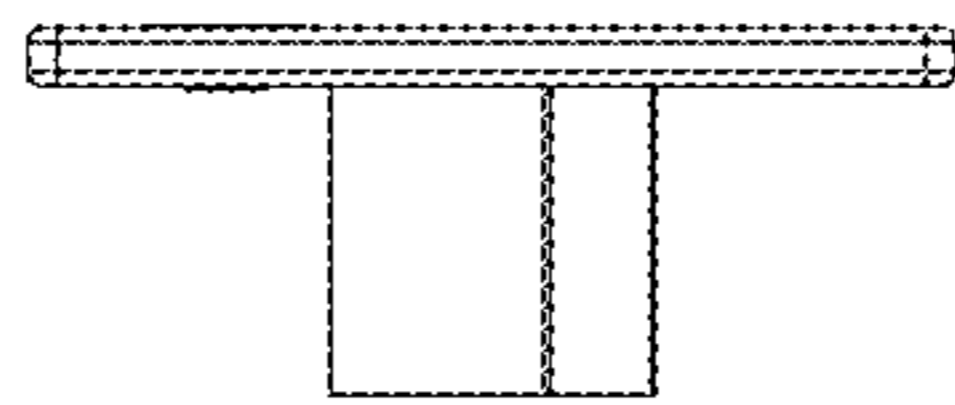


FIG. 3

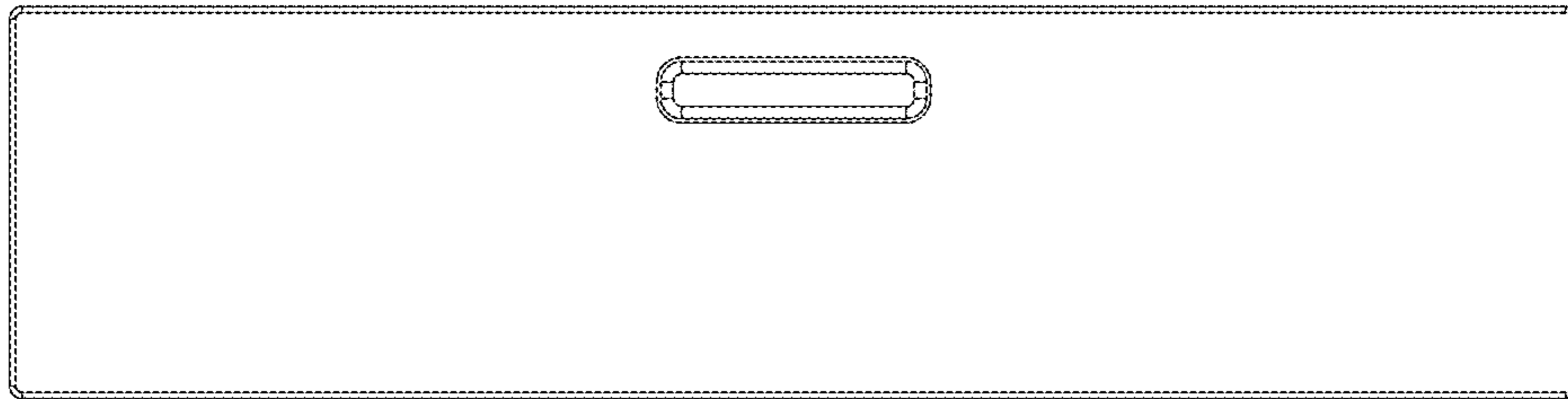


FIG. 4

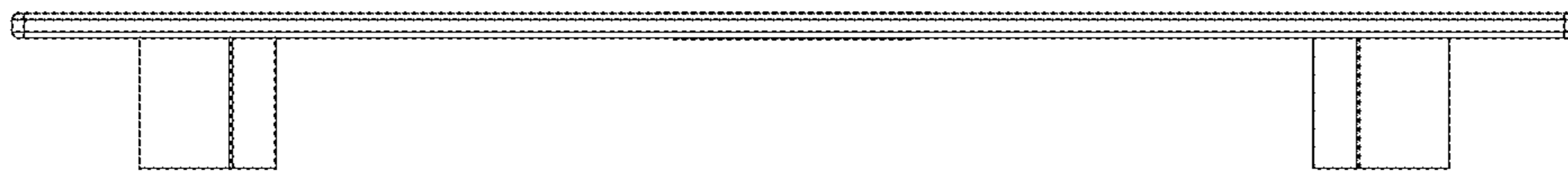


FIG. 5

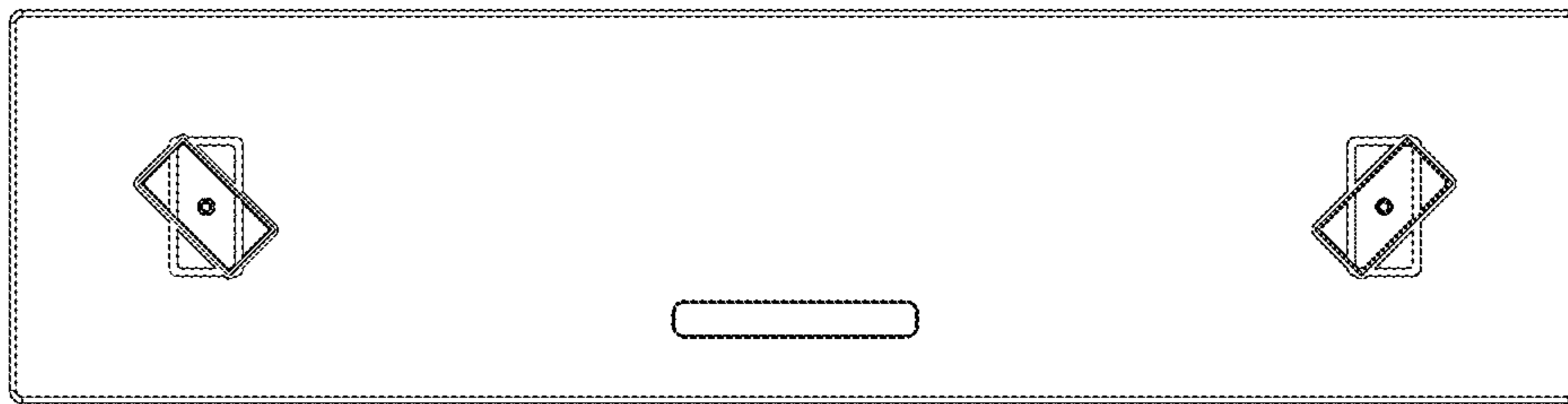


FIG. 6

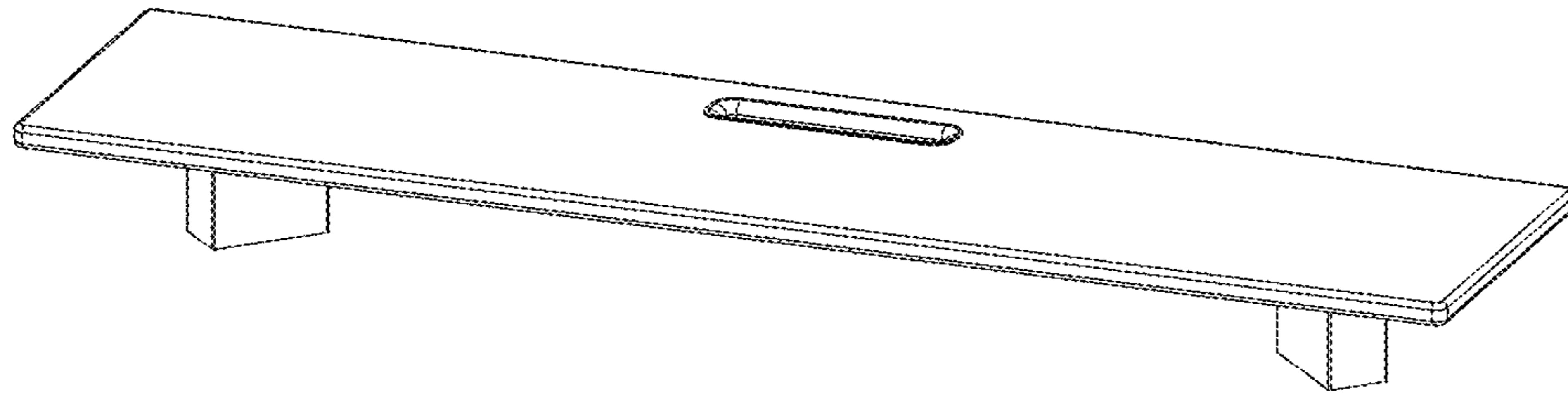


FIG. 7



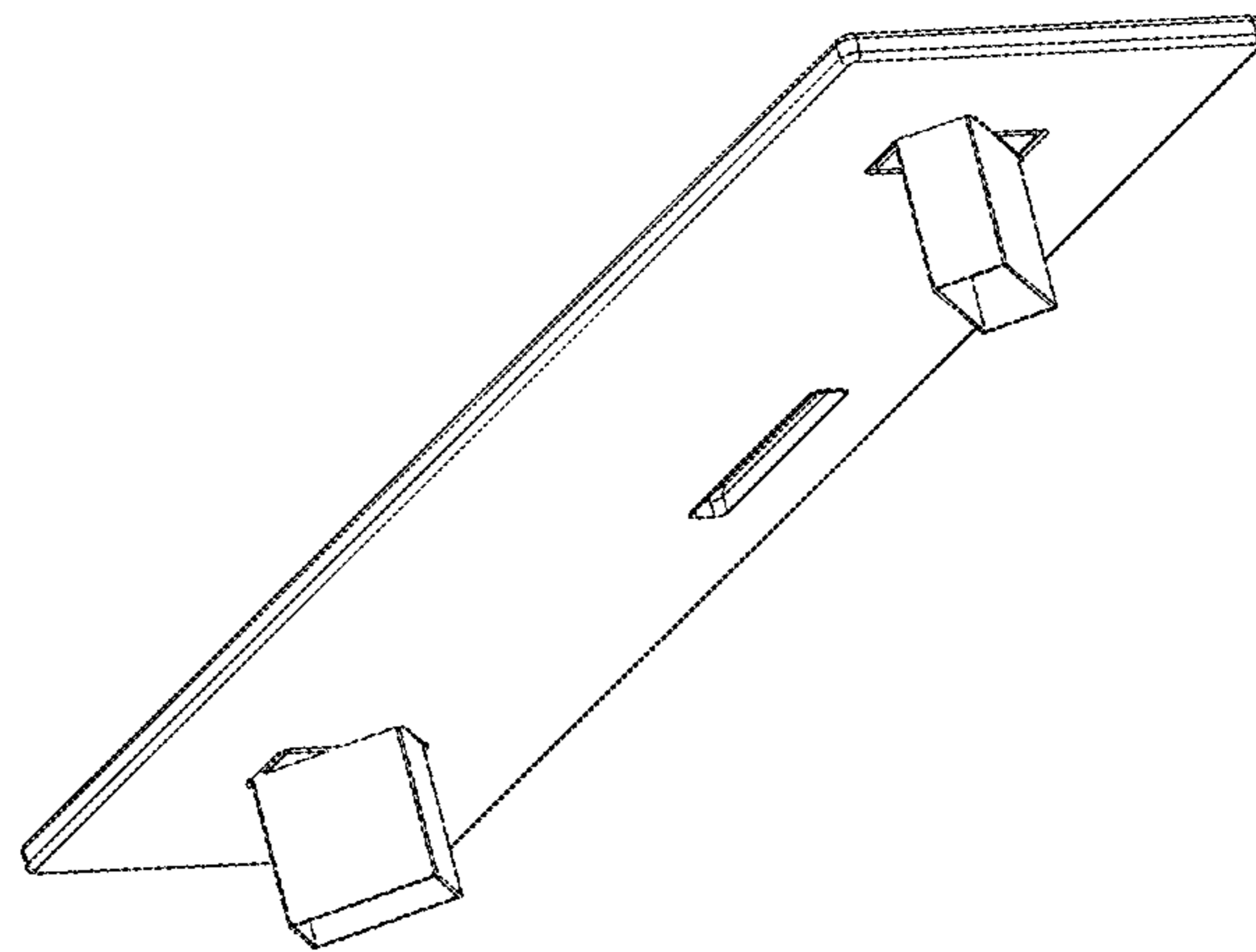


FIG. 8

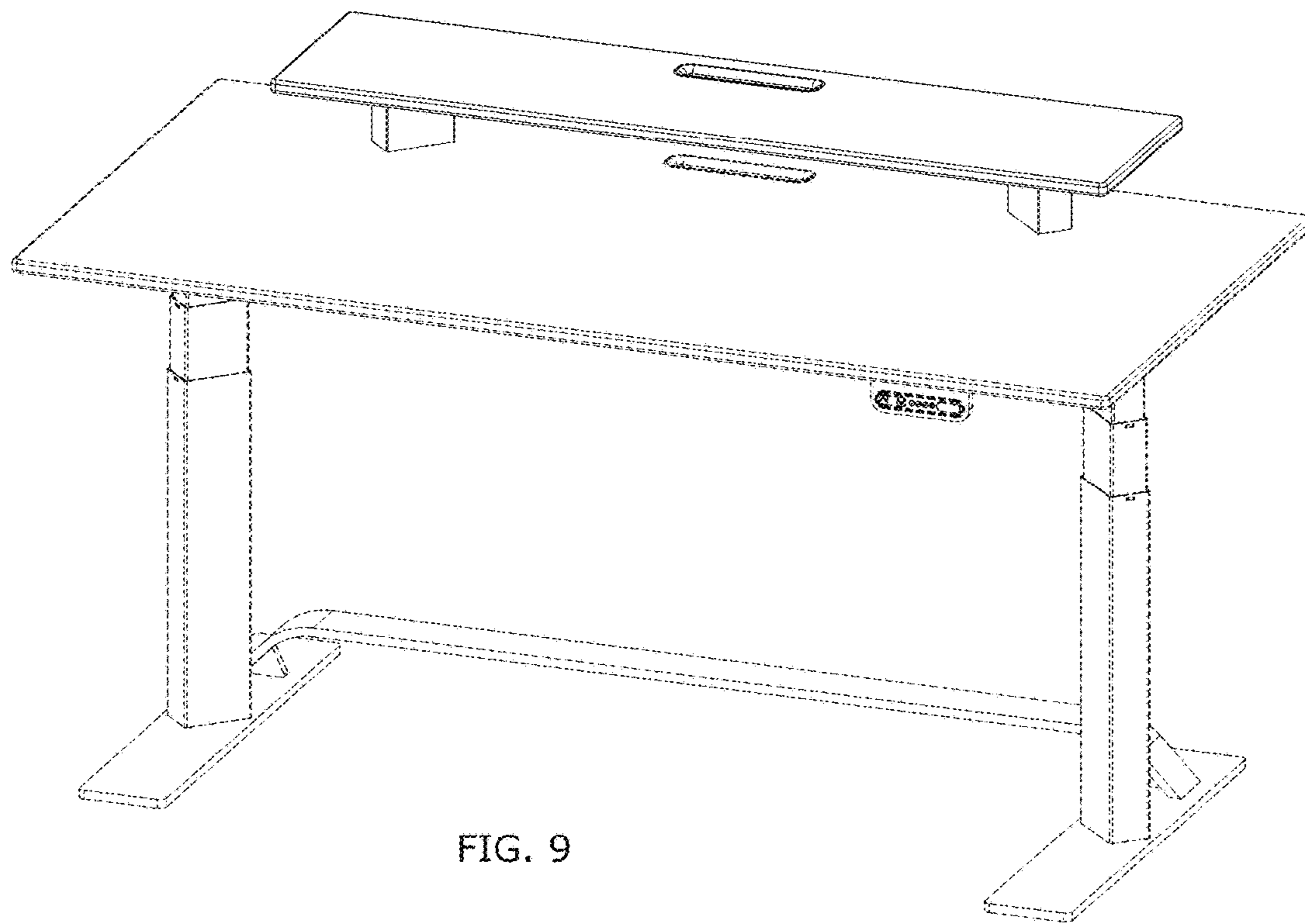


FIG. 9

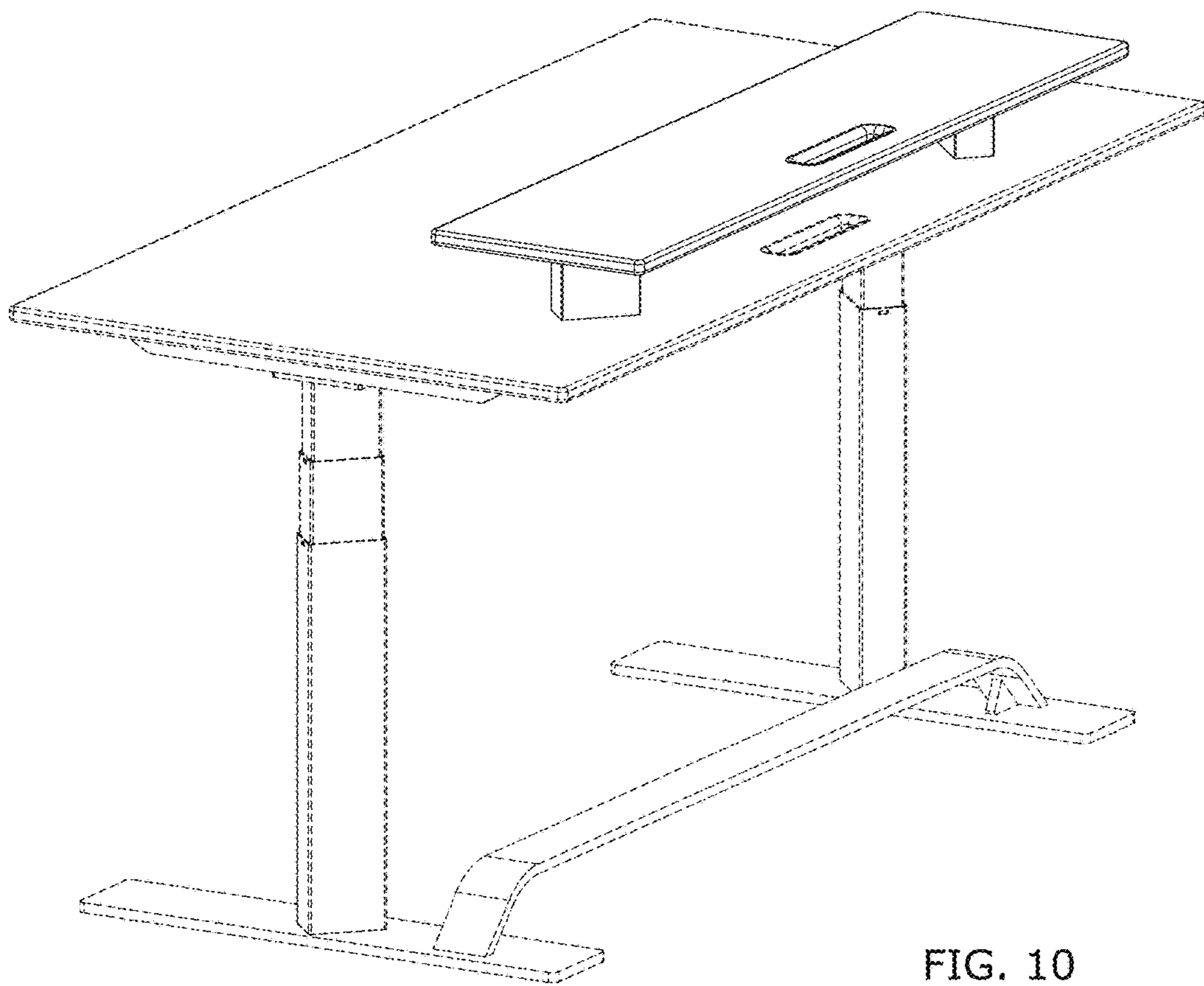


FIG. 10