



US00D817674S

(12) **United States Design Patent**
Baylar

(10) **Patent No.:** **US D817,674 S**
(45) **Date of Patent:** **** May 15, 2018**

- (54) **TABLE**
- (71) Applicant: **HUDSON FURNITURE, INC.**, New York, NY (US)
- (72) Inventor: **Barlas Baylar**, New York, NY (US)
- (73) Assignee: **HUDSON FURNITURE, INC.**, New York, NY (US)
- (**) Term: **15 Years**
- (21) Appl. No.: **29/605,388**
- (22) Filed: **May 25, 2017**
- (51) **LOC (11) Cl.** **06-03**
- (52) **U.S. Cl.**
USPC **D6/691.8**
- (58) **Field of Classification Search**
USPC D6/641, 657, 685, 686, 689, 690, 691, D6/691.1, 691.2, 691.3, 691.4, 691.5, D6/691.6, 691.7, 691.8, 691.9, 699, D6/699.1, 699.2, 699.3, 699.4, 699.5, D6/702, 707, 707.15, 707.19, 708, 709
CPC .. A47B 37/00; A47B 3/00; A47B 1/00; A47B 3/06; A47B 3/08; A47B 3/0912; A47B 7/00; A47B 21/00; A47B 23/00; A47B 25/00; A47B 13/08; A47B 3/083; A47B 3/14; A47B 41/00; A47B 17/00; A47B 3/0809; A47B 3/0812; A47B 2013/026; A47B 2200/03; A47B 2200/00; A47B 2003/0821; A47C 3/045
See application file for complete search history.

(56) **References Cited**

U.S. PATENT DOCUMENTS

- 1,995,943 A * 3/1935 Ritch A47B 13/16
108/26
- 2,110,068 A * 3/1938 Kowalski A47B 1/056
108/11

- D150,365 S * 7/1948 Johnson 108/93
- 2,612,424 A * 9/1952 Hochalter A47B 25/00
108/139
- 2,615,771 A * 10/1952 Curtis A47B 3/06
108/11

(Continued)

OTHER PUBLICATIONS

Fleur, posted at Hudsonfurnitureinc.com, posted on Feb. 12, 2017, site visited Feb. 28, 2018. online, available from internet: https://hudsonfurnitureinc.com/Coffee-Tables/Fleur_17_02_2017/collection.*

(Continued)

Primary Examiner — Mary Ann Calabrese
Assistant Examiner — Catherine Ho
(74) *Attorney, Agent, or Firm* — Hodgson Russ LLP

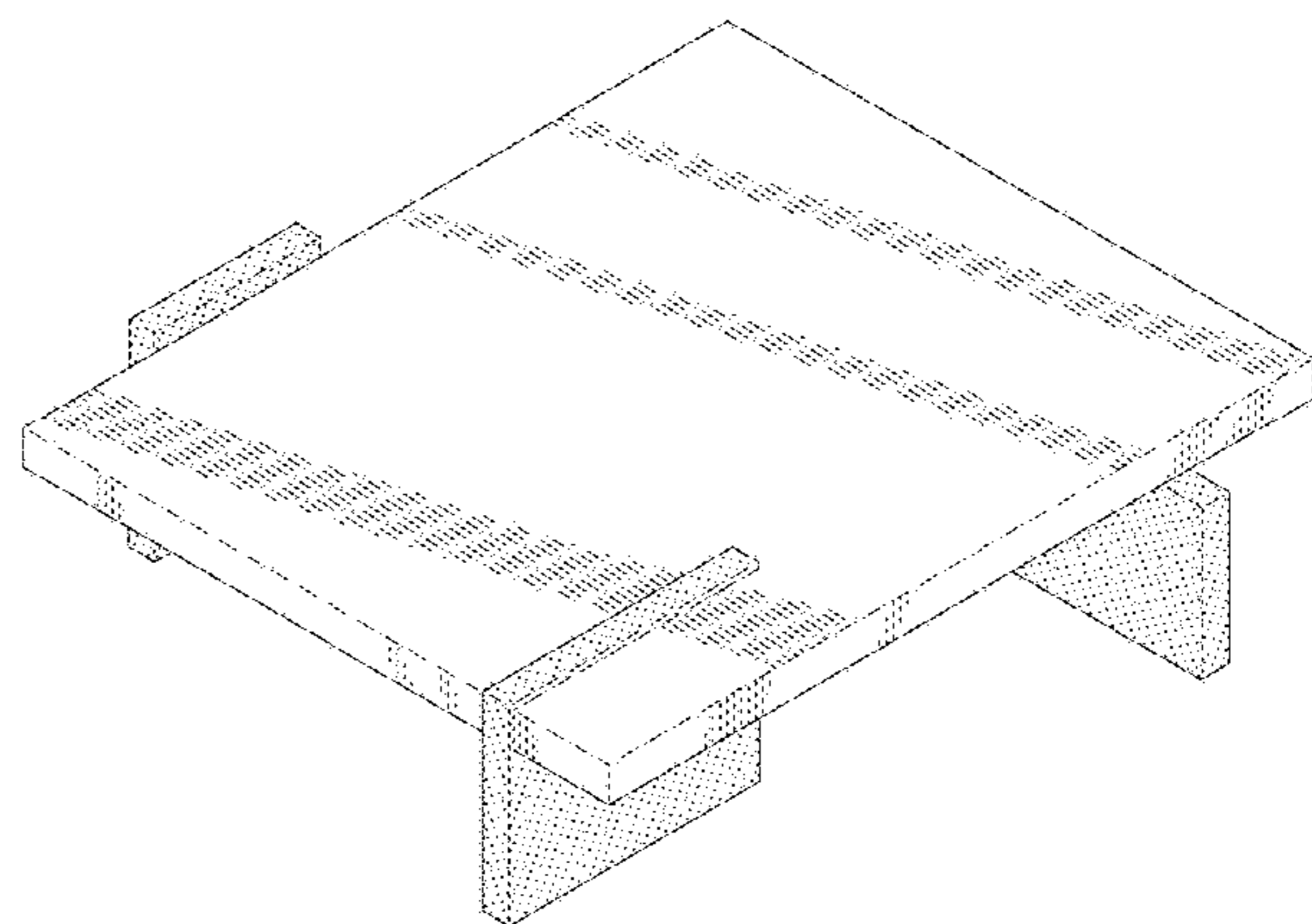
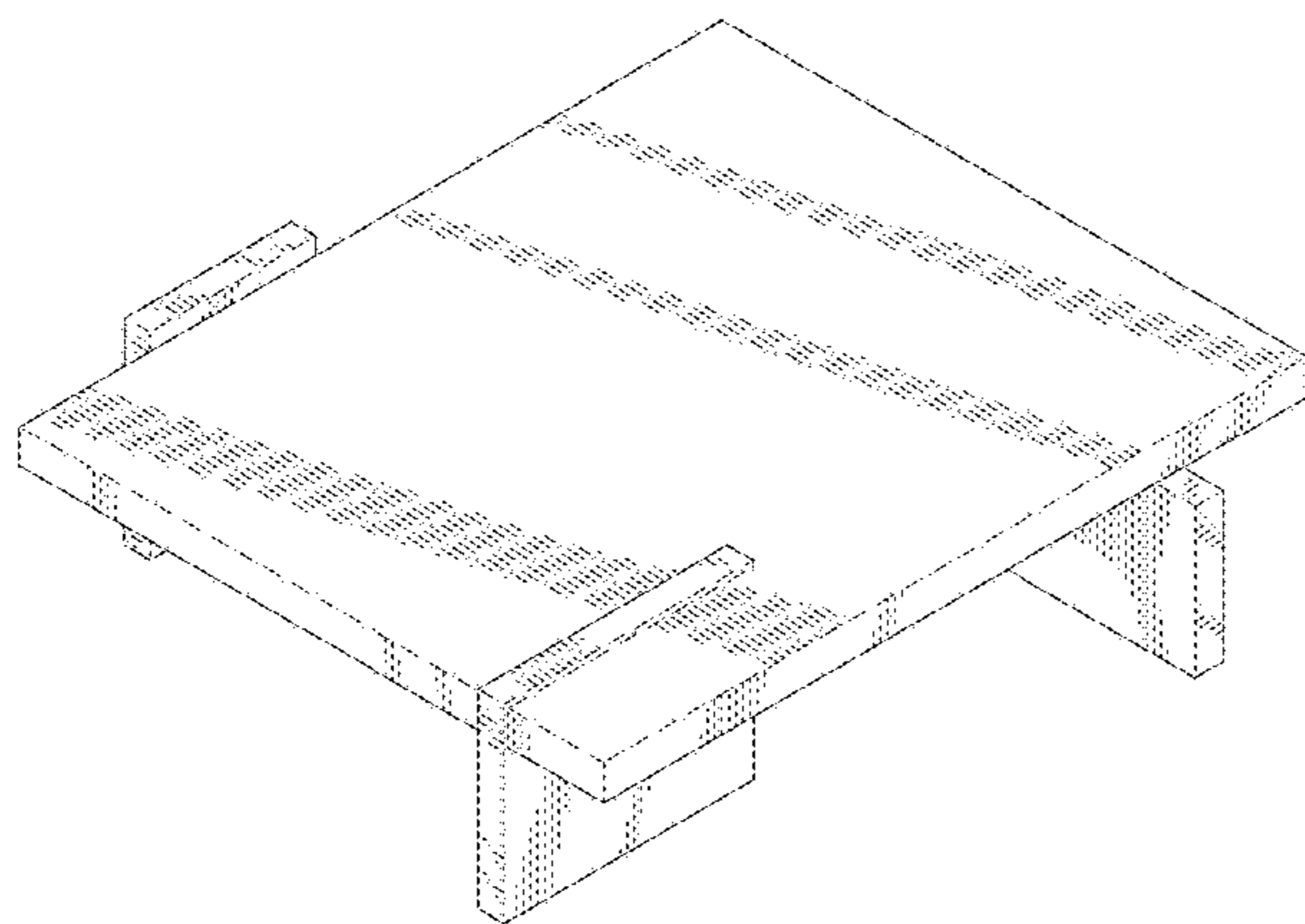
(57) **CLAIM**

The ornamental design for a table, as shown and described.

DESCRIPTION

FIG. 1 is a perspective view of a first embodiment of a table; FIG. 2 is a front elevation view thereof; FIG. 3 is a rear elevation view thereof; FIG. 4 is a left side elevation view thereof; FIG. 5 is a right side view thereof; FIG. 6 is a top plan view thereof; FIG. 7 is a bottom plan view thereof; FIG. 8 is a perspective view of a second embodiment of a table; FIG. 9 is a front elevation view thereof; FIG. 10 is a rear elevation view thereof; FIG. 11 is a left side elevation view thereof; FIG. 12 is a right side view thereof; FIG. 13 is a top plan view thereof; and, FIG. 14 is a bottom plan view thereof. The plain and stippled surfaces represent a contrast of appearance.

1 Claim, 10 Drawing Sheets



(56)

References Cited

U.S. PATENT DOCUMENTS

2,806,606 A * 9/1957 Evans A47B 65/00
108/158.12
D189,246 S * 11/1960 Beck D6/690
D233,873 S * 12/1974 Mills D6/691.8
D470,341 S * 2/2003 Muller D6/691
D552,900 S * 10/2007 Wilenius D6/705
D565,331 S * 4/2008 Miller D6/690
D716,085 S * 10/2014 Baylar D6/691.8
D722,798 S * 2/2015 Baylar D6/691.1

OTHER PUBLICATIONS

Biarritz4, posted at Hudsonfurnitureinc.com, posted on Dec. 14, 2013, site visited Feb. 28, 2018. online, available from internet: <http://www.hudsonfurnitureinc.com/files/works/medium/>

large_Biarritz4.jpg.*

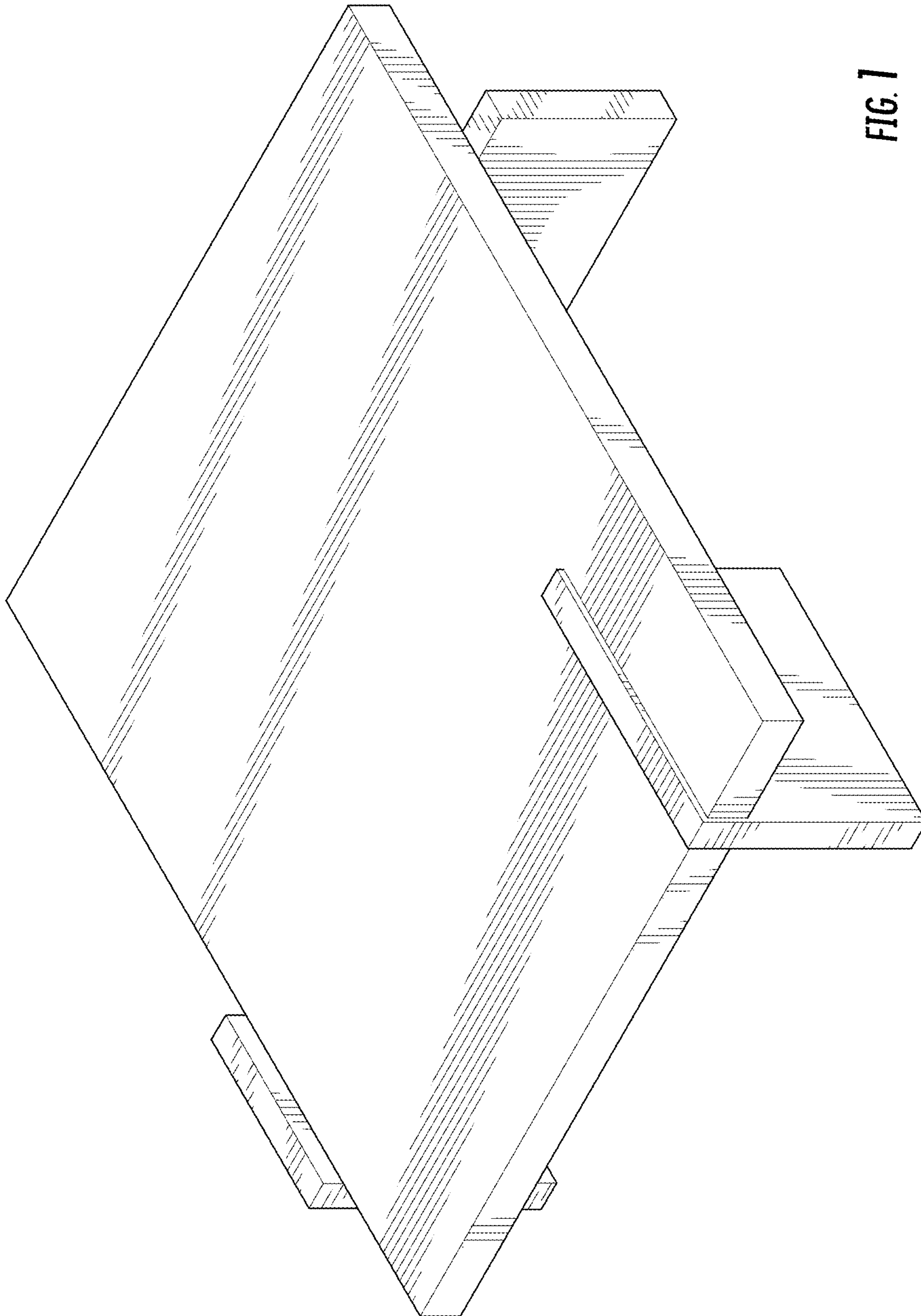
8791, posted at Hudsonfurnitureinc.com, posted on Dec. 14, 2013, site visited Feb. 28, 2018. online, available from internet: <http://www.hudsonfurnitureinc.com/files/works/medium/>

large_IMG_8791...jpg.*

JPEG 236, posted at I.pining.com, posted on Jan. 8, 2015, site visited Feb. 28, 2018. online, available from internet: <https://i.pining.com/236x/5d/15/22/5d15229e355d8f58a4be8bc3dc4ec3b9>.

jpg.*

* cited by examiner



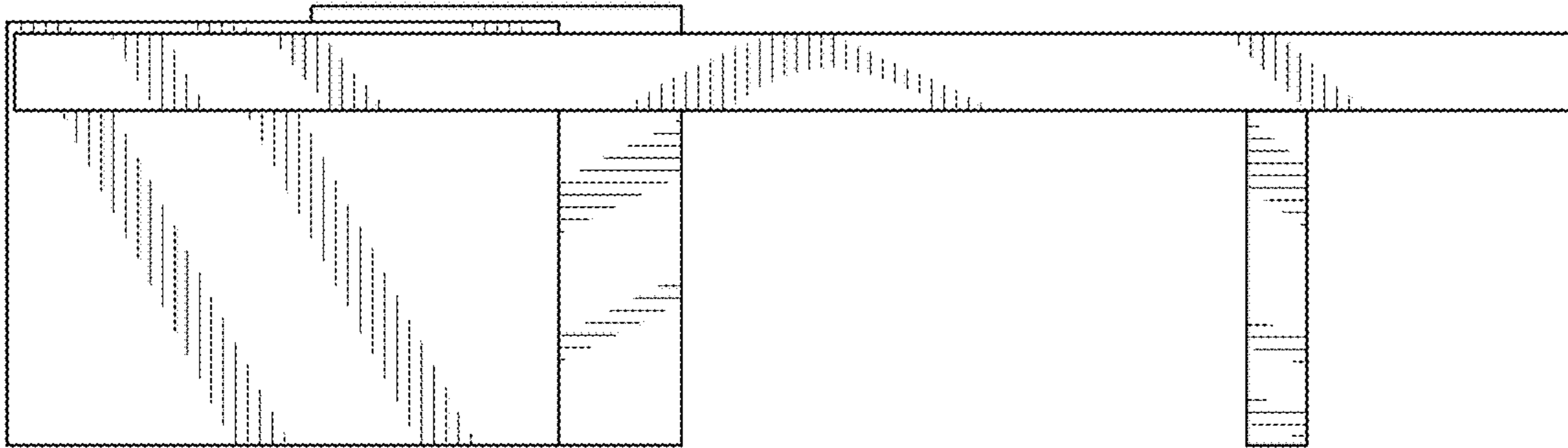


FIG. 2

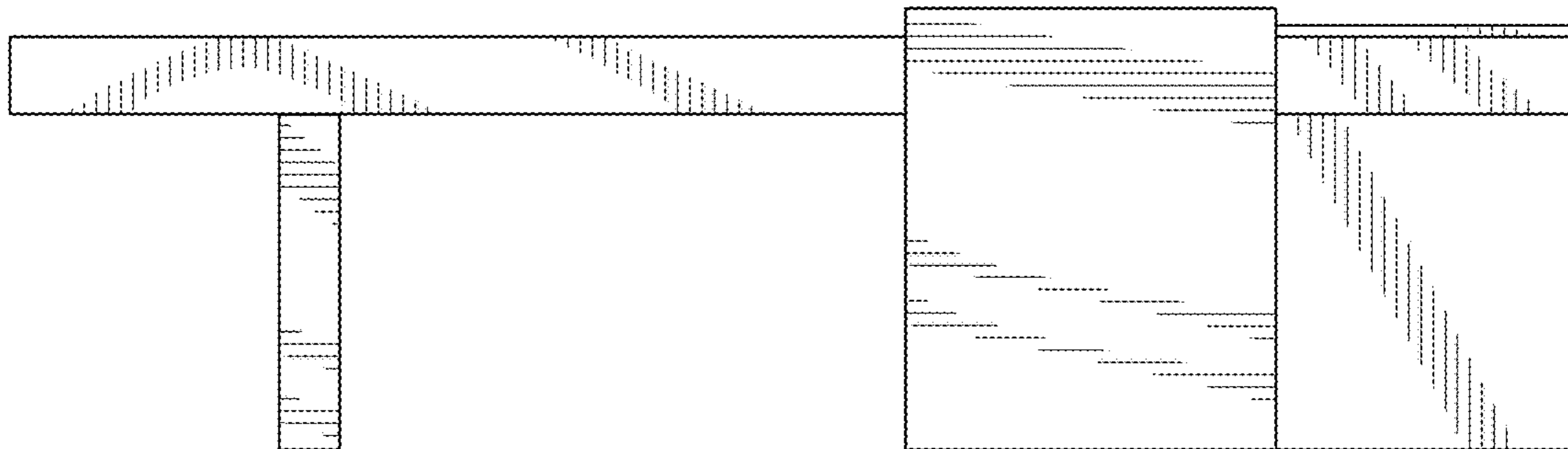


FIG. 3

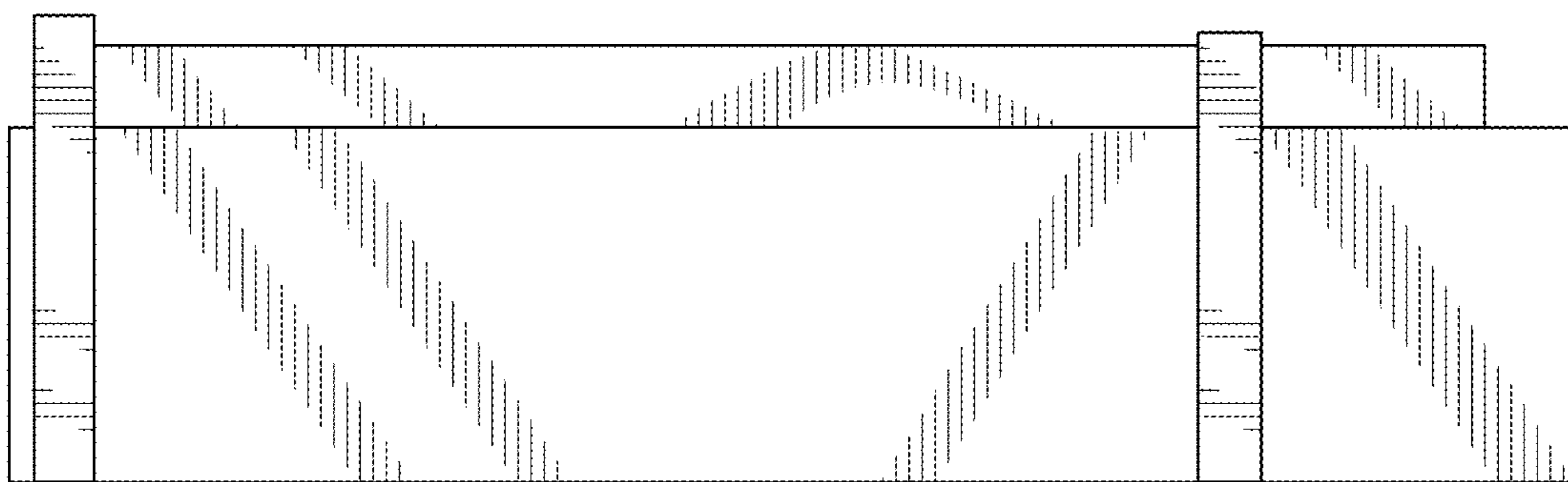


FIG. 4

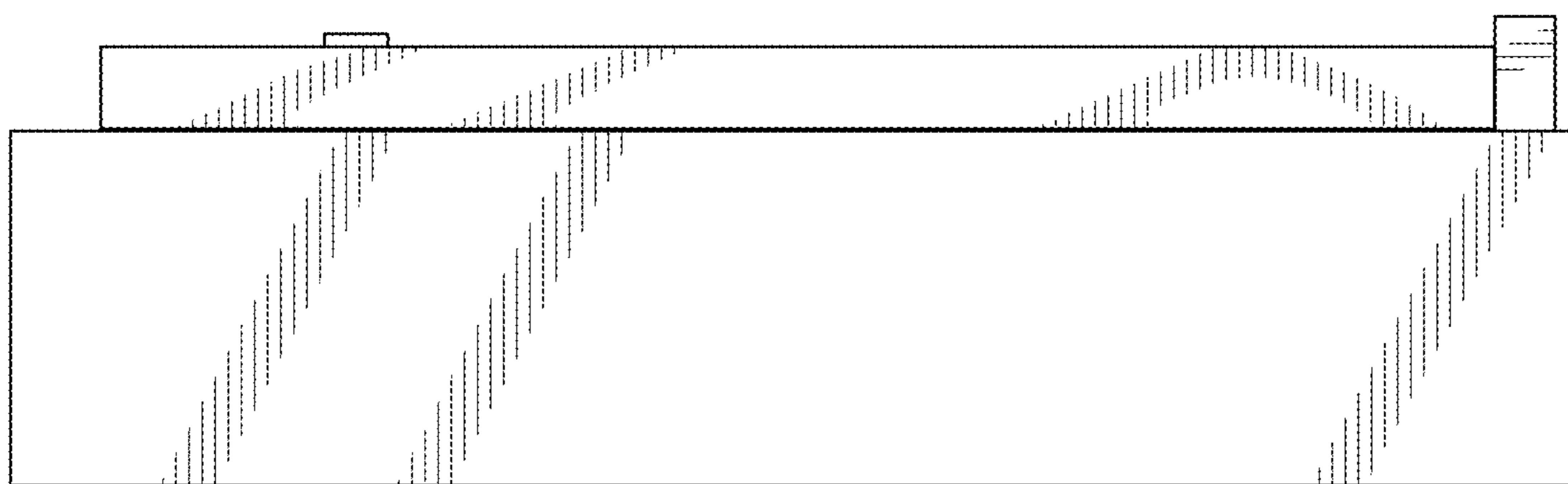


FIG. 5

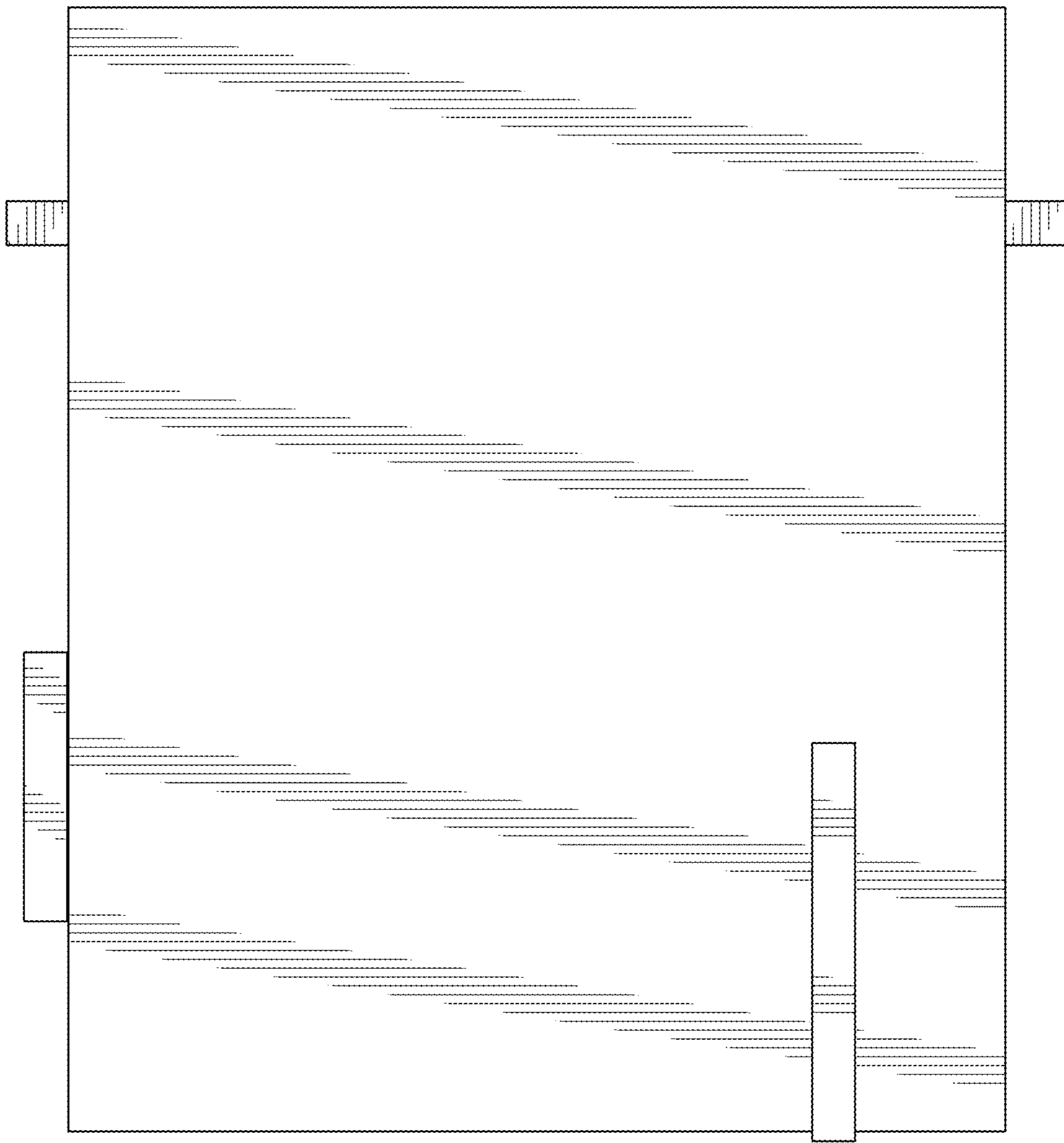


FIG. 6

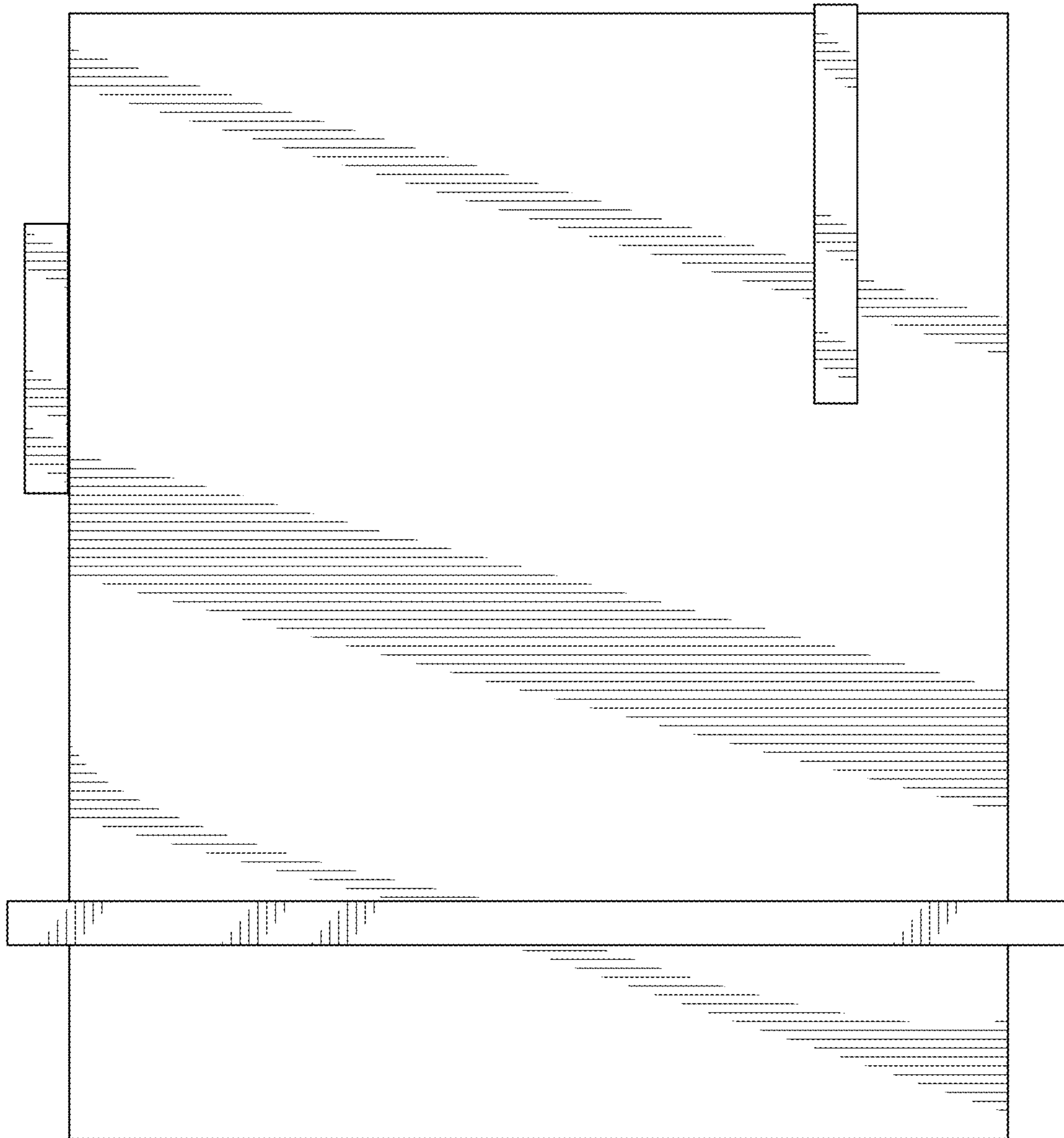


FIG. 7

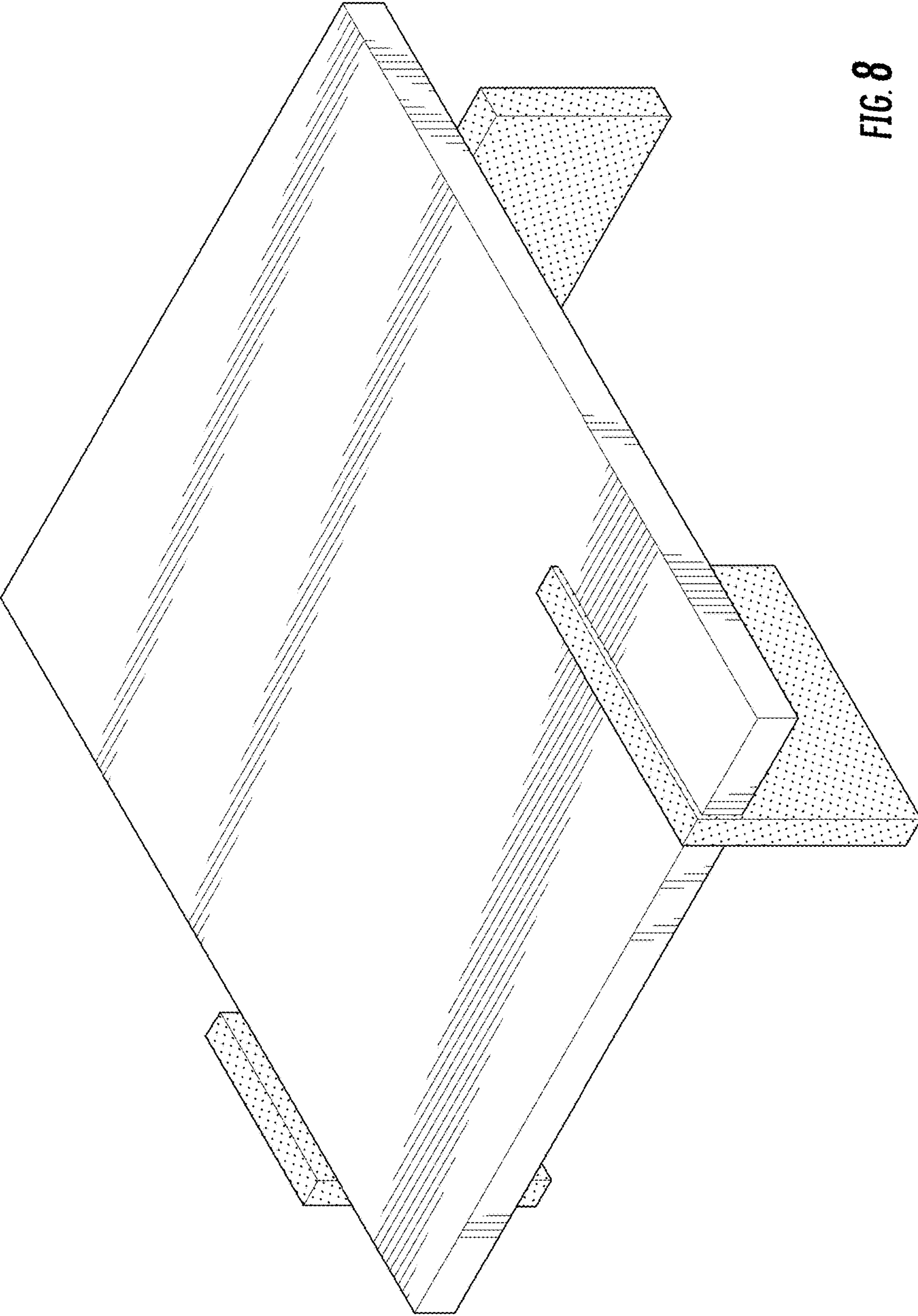


FIG. 8

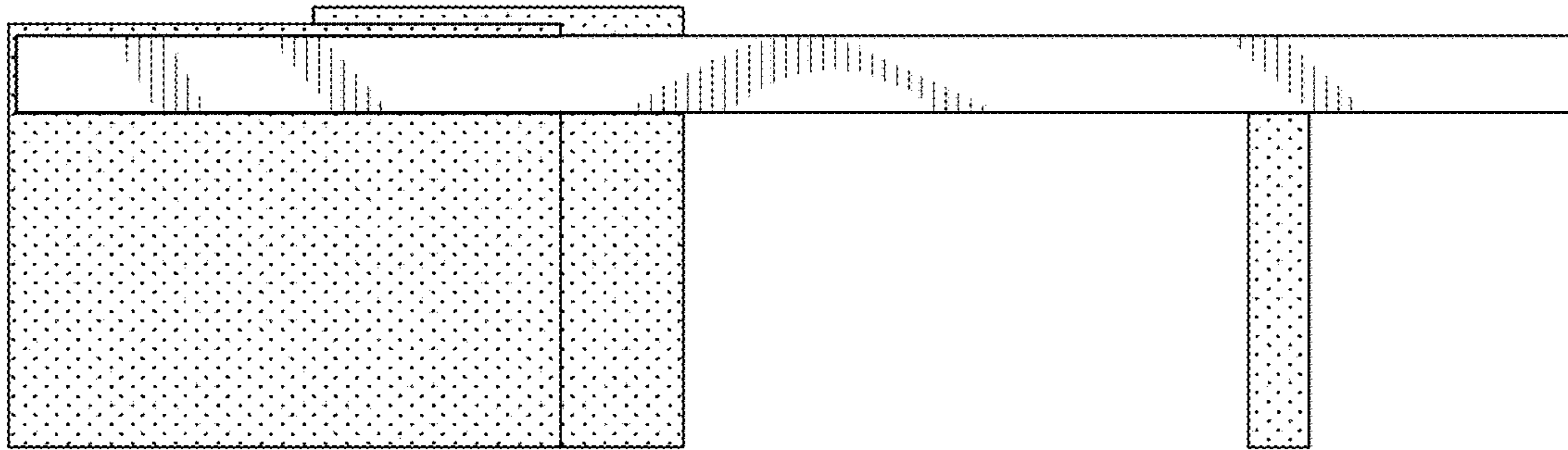


FIG. 9

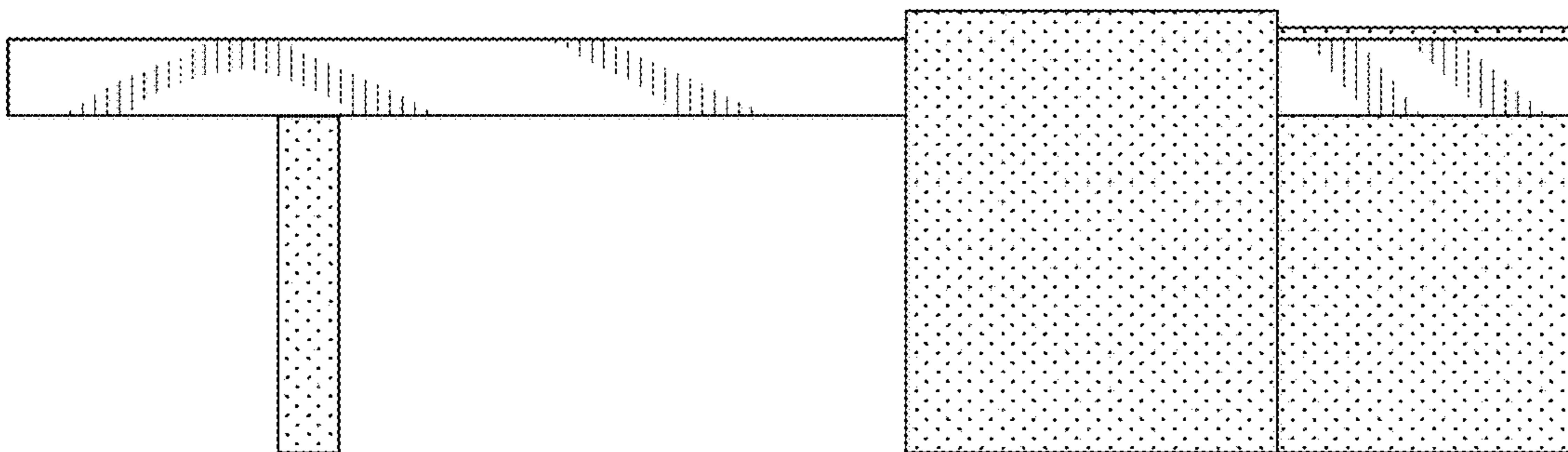


FIG. 10

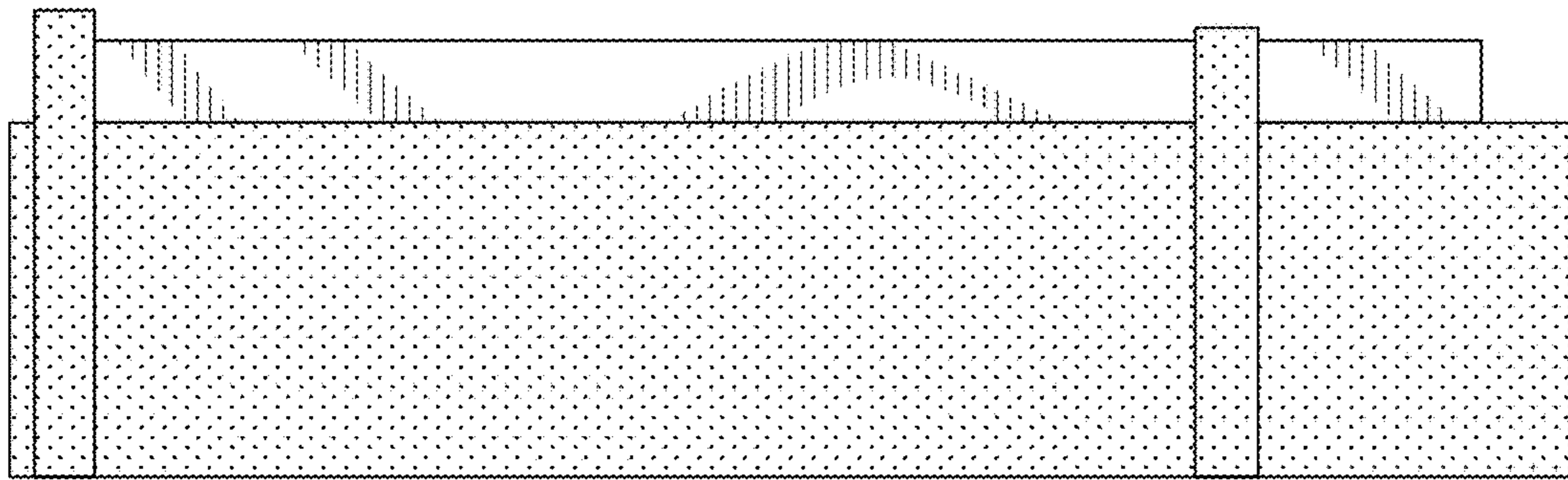


FIG. 11

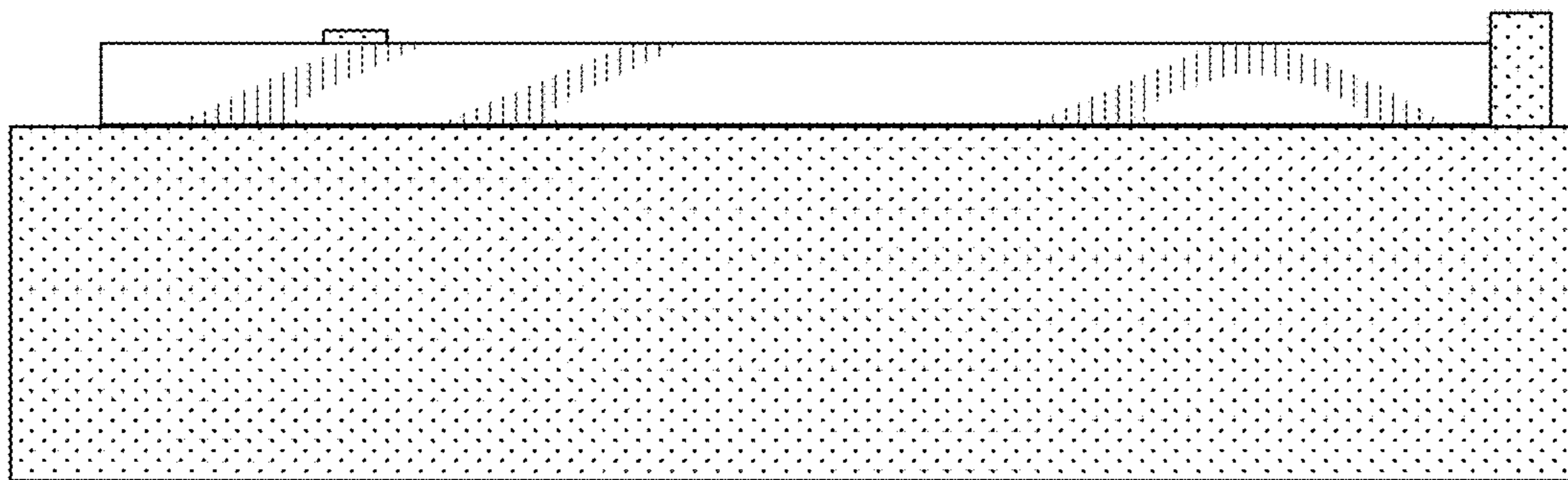


FIG. 12

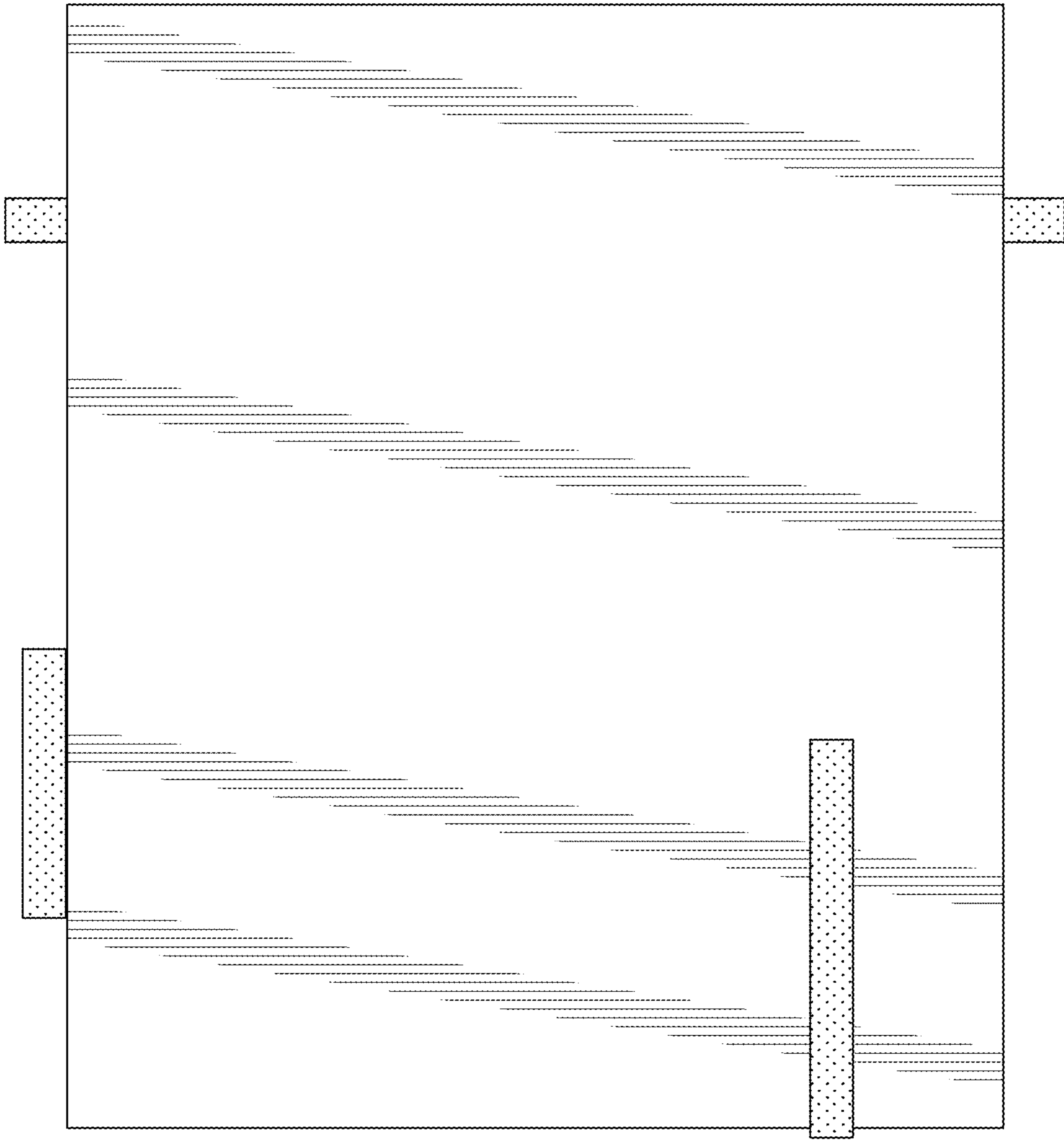


FIG. 13

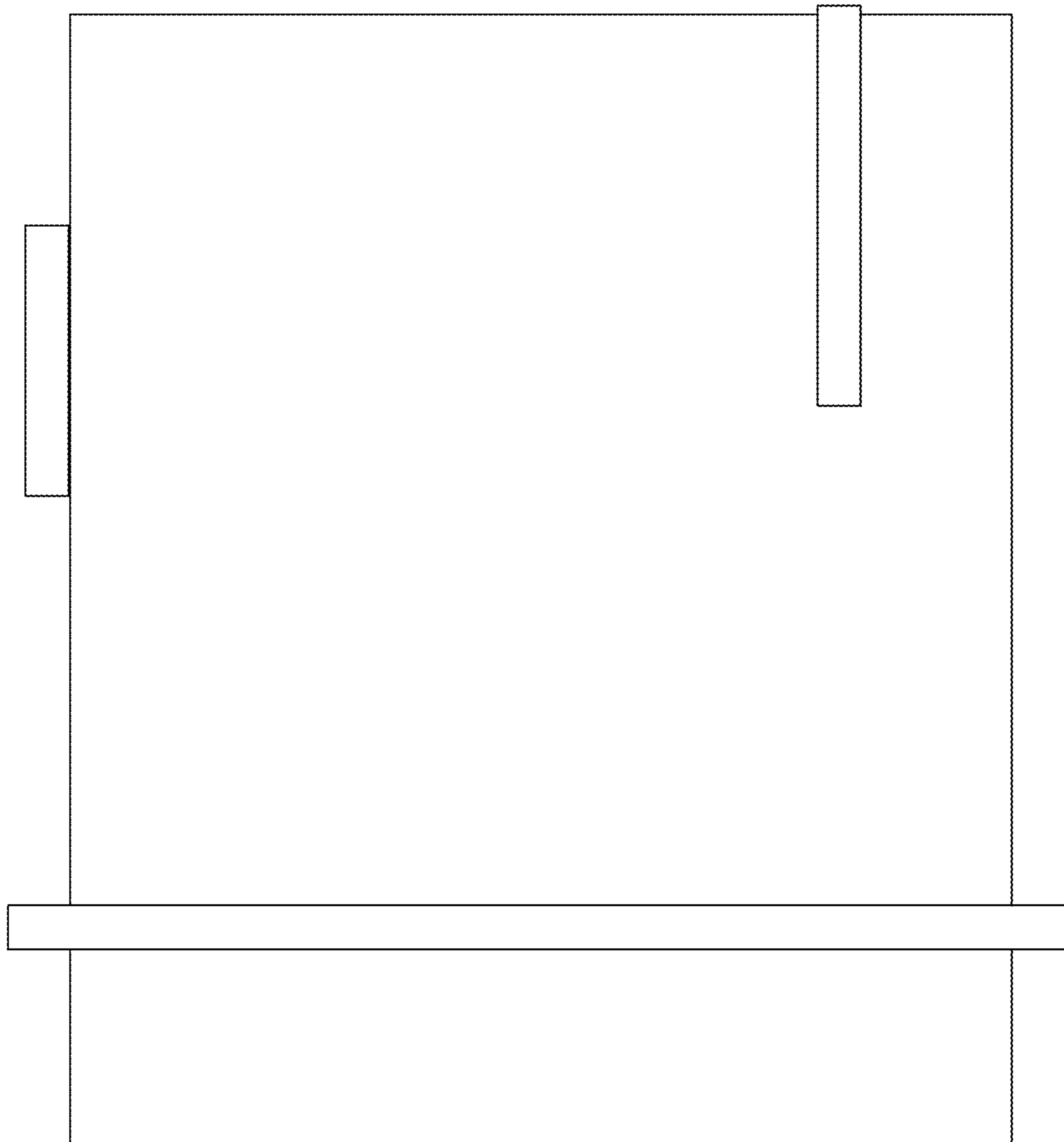


FIG. 14