



US00D817672S

(12) **United States Design Patent**
Chang

(10) **Patent No.:** **US D817,672 S**

(45) **Date of Patent:** **** May 15, 2018**

(54) **TWO TIER STAND**

(71) Applicant: **Kil Jae Chang**, Anyang (KR)

(72) Inventor: **Kil Jae Chang**, Anyang (KR)

(**) Term: **15 Years**

(21) Appl. No.: **29/620,329**

(22) Filed: **Oct. 19, 2016**

(51) **LOC (11) Cl.** **06-06**

(52) **U.S. Cl.**
USPC **D6/678.2**

(58) **Field of Classification Search**
USPC ... D6/672, 673, 678, 678.2, 681, 681.1, 682
CPC .. A47F 5/00; A47F 5/0018; A47F 5/04; A47F
5/0043; A47F 2005/0075; A47F 7/00
See application file for complete search history.

(56) **References Cited**

U.S. PATENT DOCUMENTS

D675,039 S * 1/2013 Foisy D6/682.1
D712,183 S * 9/2014 Barber D6/691.5

D748,936 S * 2/2016 Kanrilak D6/681
D758,769 S * 6/2016 Terpening D6/682
D762,403 S * 8/2016 Williams D6/681.1
D785,380 S * 5/2017 King D6/681
D796,436 S * 9/2017 Rivera D13/108

* cited by examiner

Primary Examiner — Kelley Donnelly

(74) *Attorney, Agent, or Firm* — John R. Flanagan

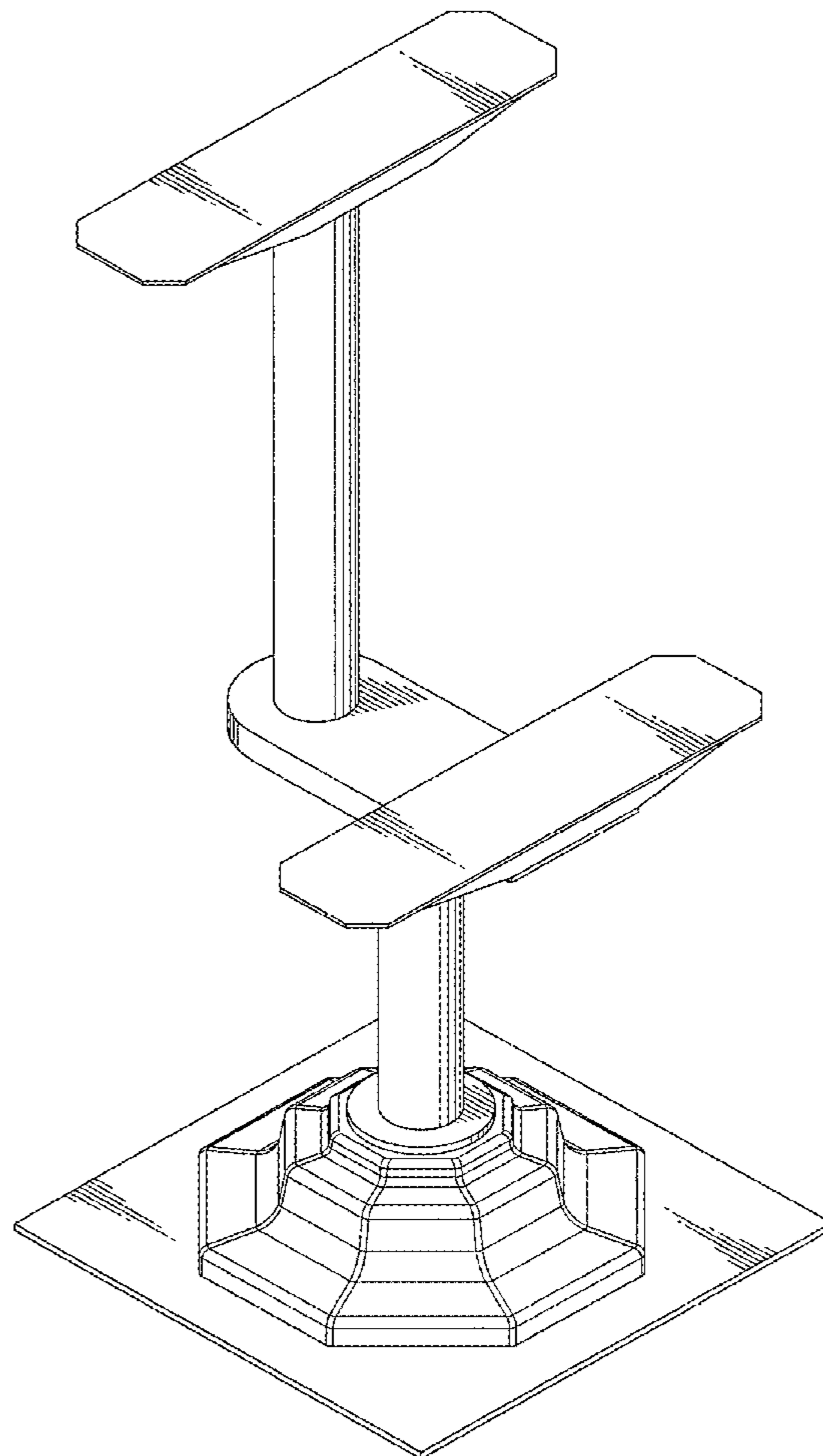
(57) **CLAIM**

The ornamental design for a two tier stand, as shown and described.

DESCRIPTION

FIG. 1 is a perspective view of a two tier stand, showing my new design.
FIG. 2 is a right side elevational view of the two tier stand.
FIG. 3 is a front elevational view of the two tier stand.
FIG. 4 is a left side elevational view of the two tier stand.
FIG. 5 is a rear elevational view of the two tier stand.
FIG. 6 is a top plan view of the two tier stand; and,
FIG. 7 is a bottom plan view of the two tier stand.

1 Claim, 6 Drawing Sheets



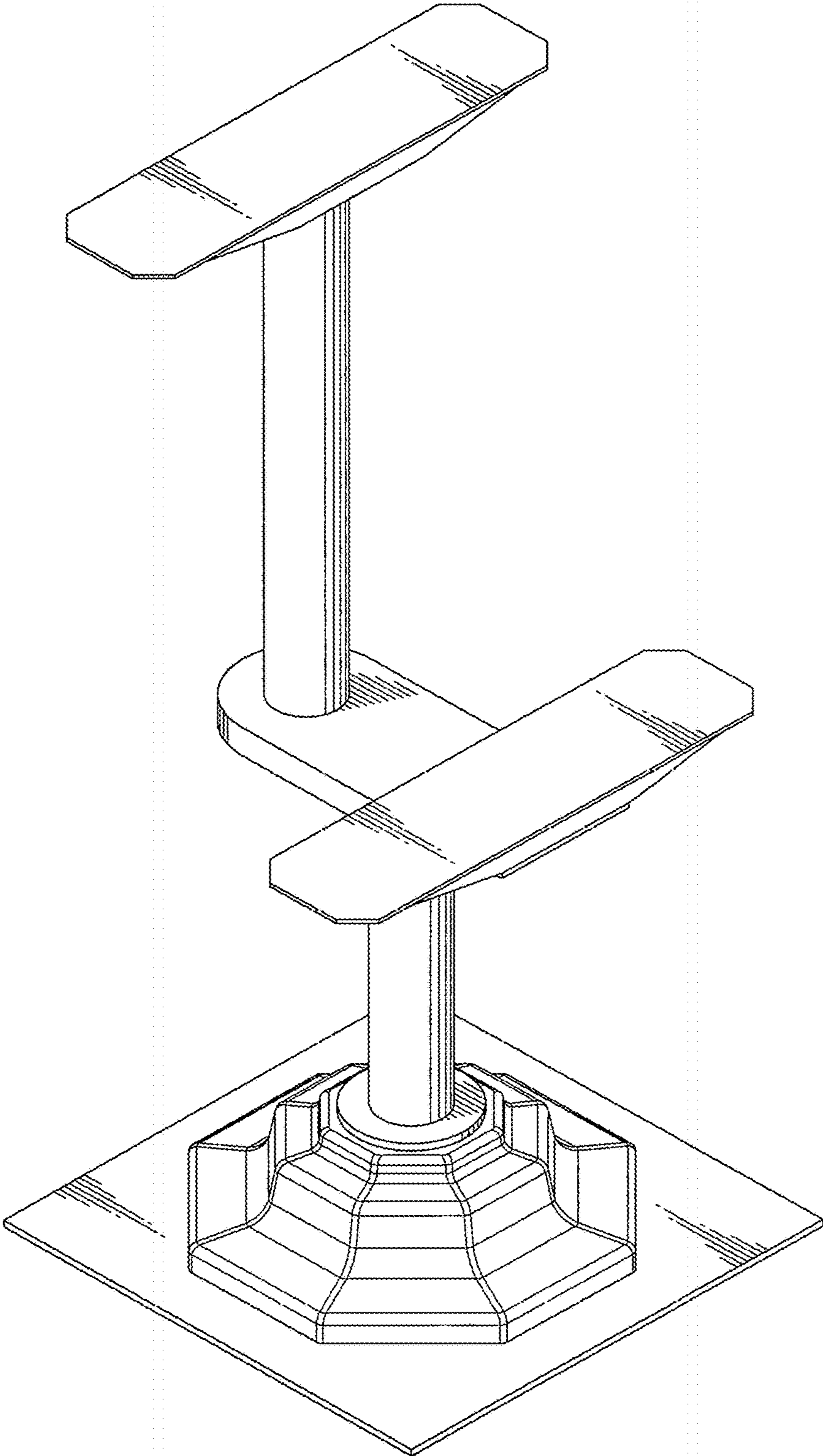


Fig. 1

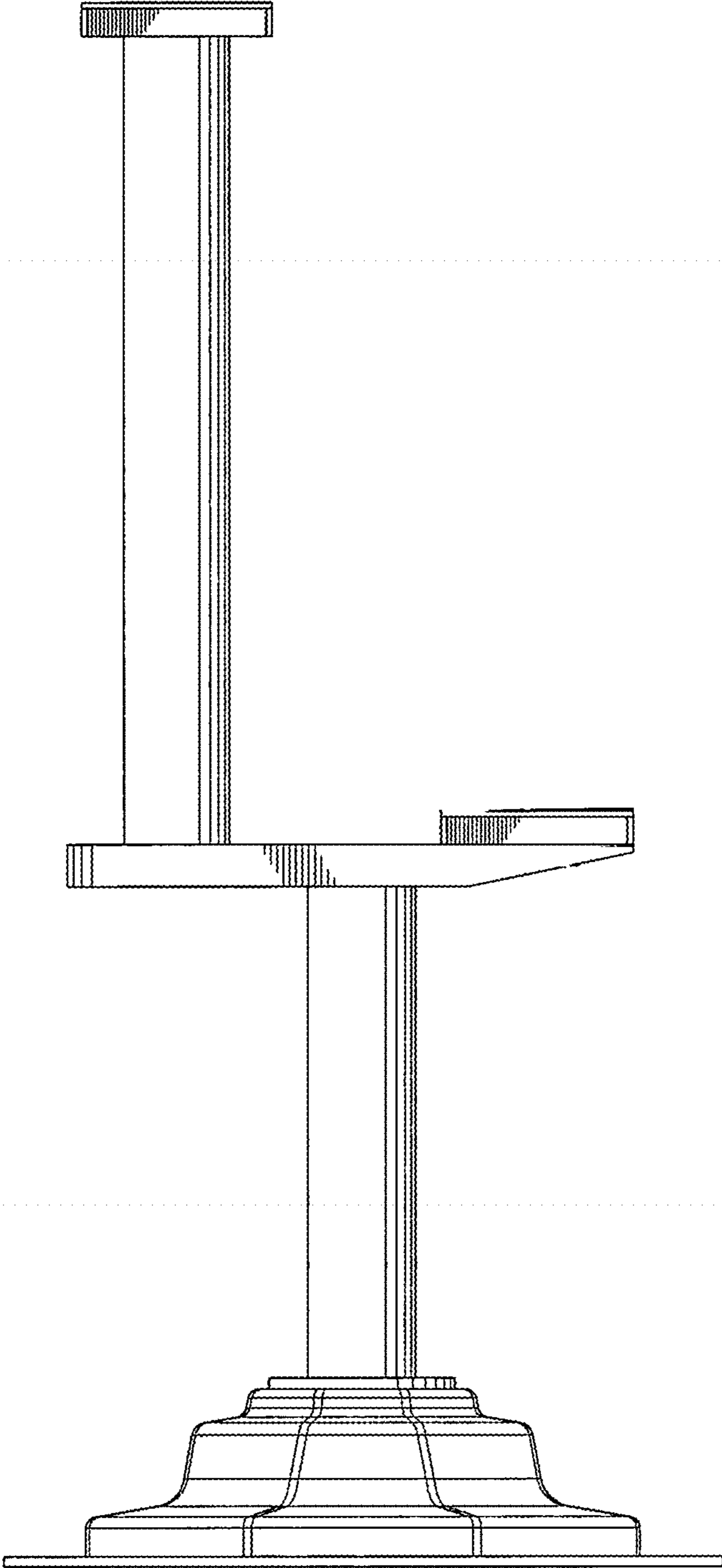


Fig. 2

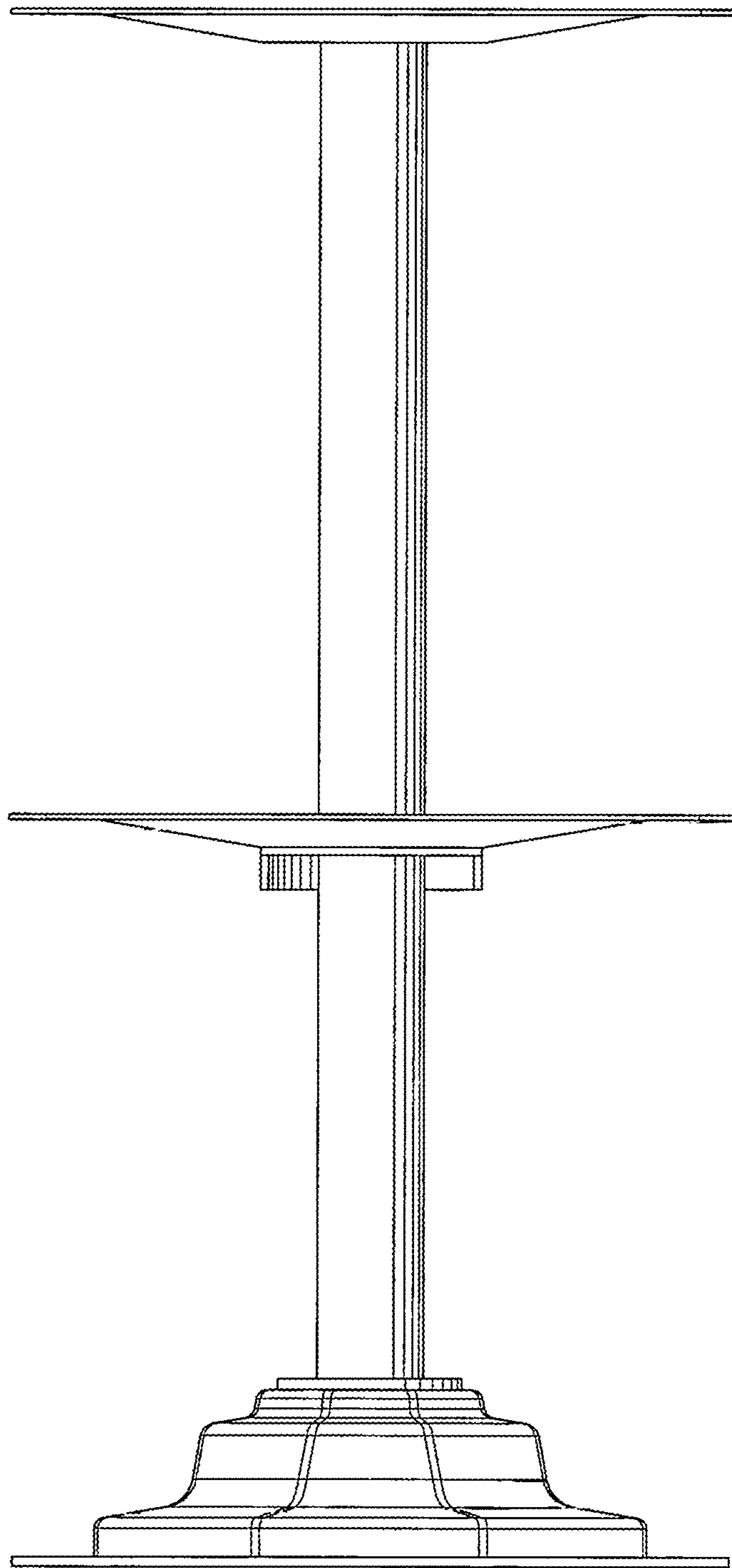


Fig. 3

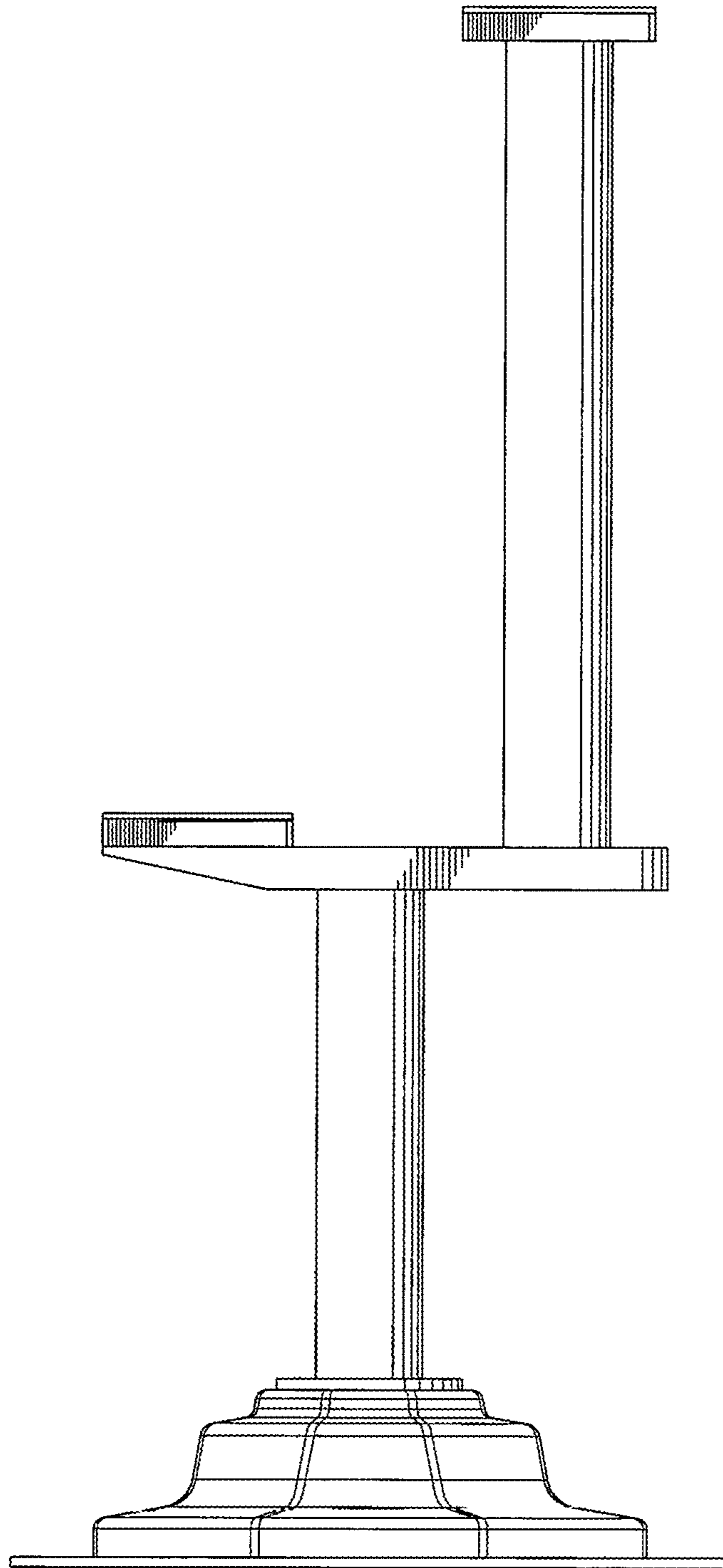


Fig. 4

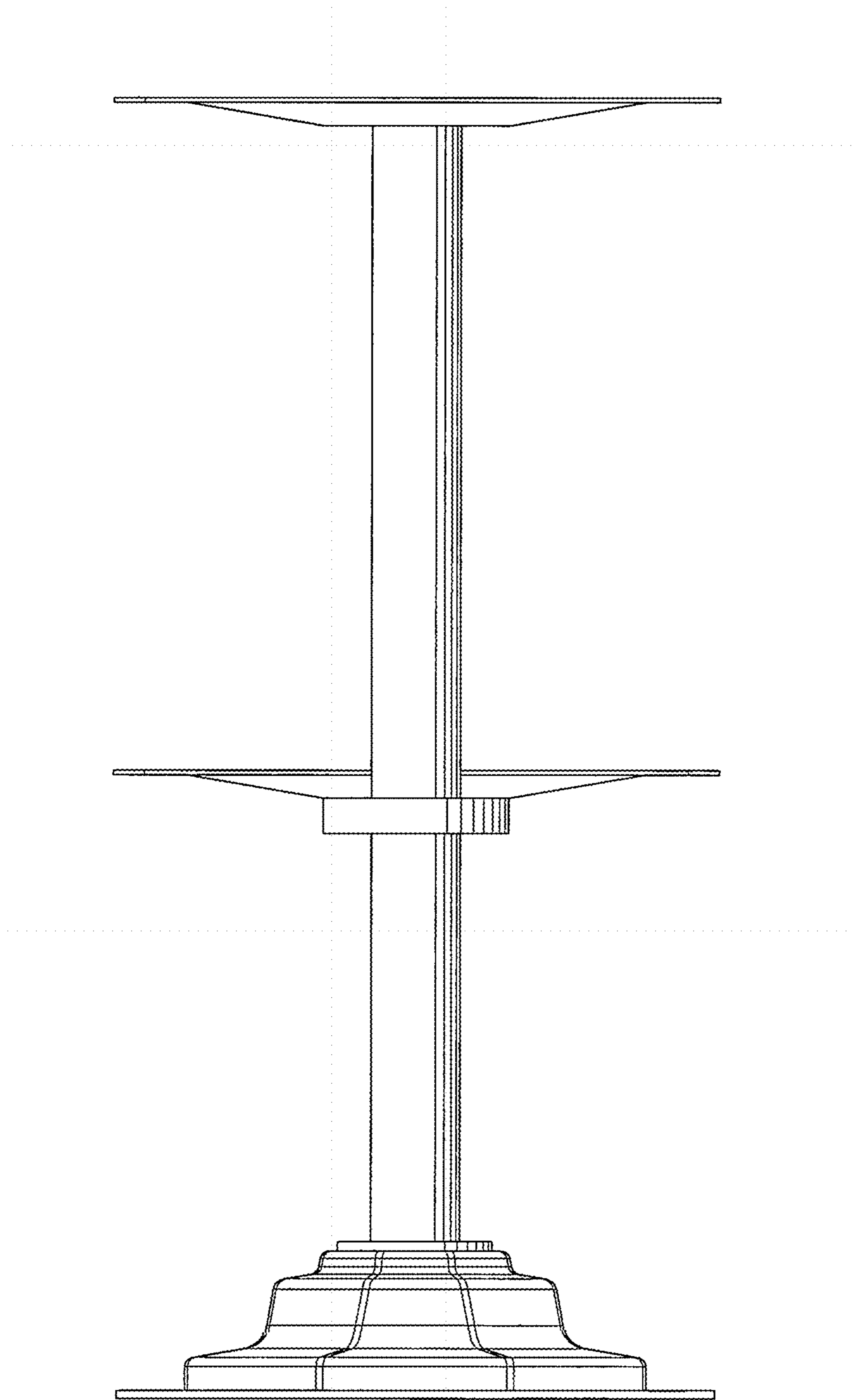


Fig. 5

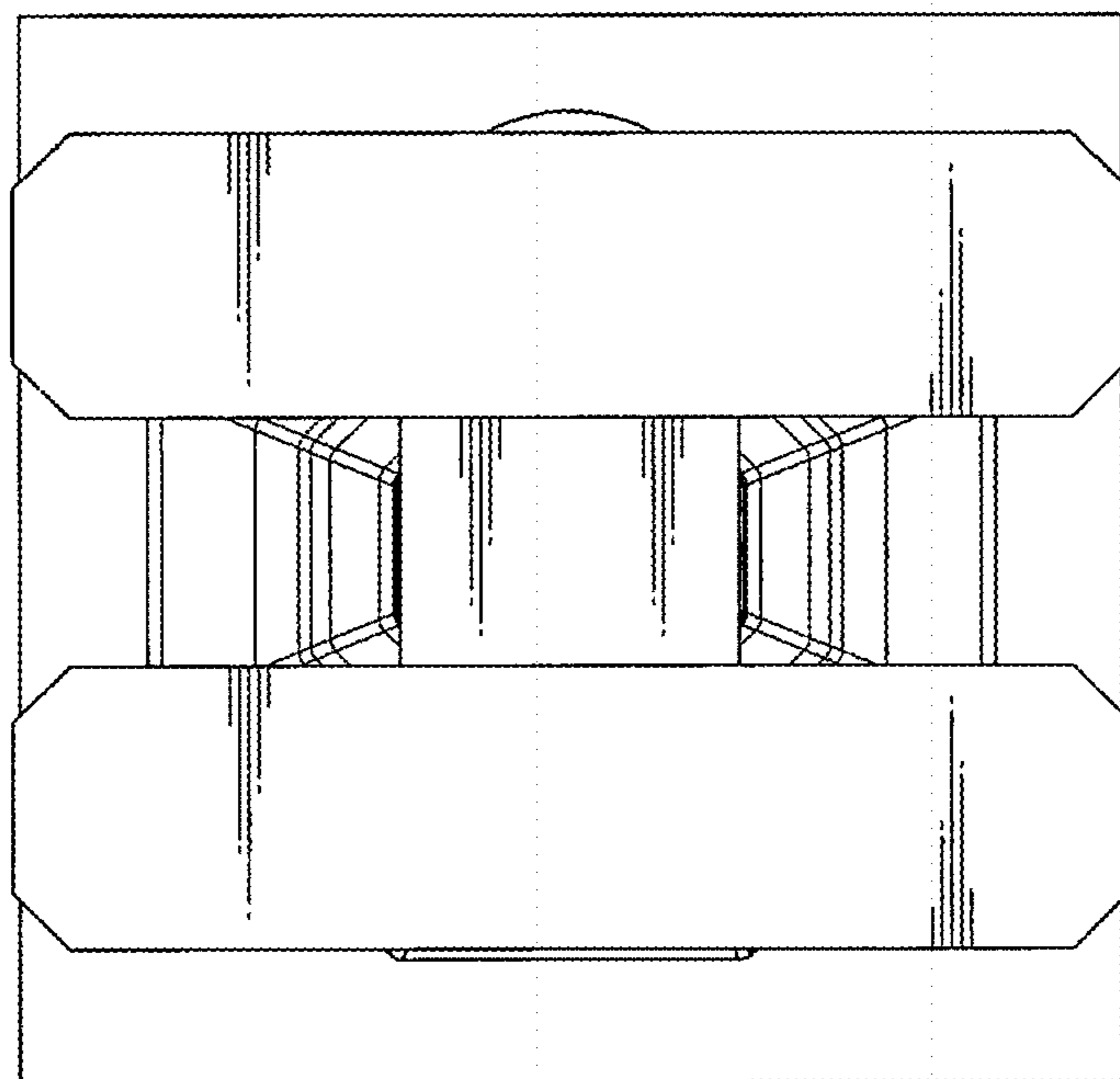


Fig. 6

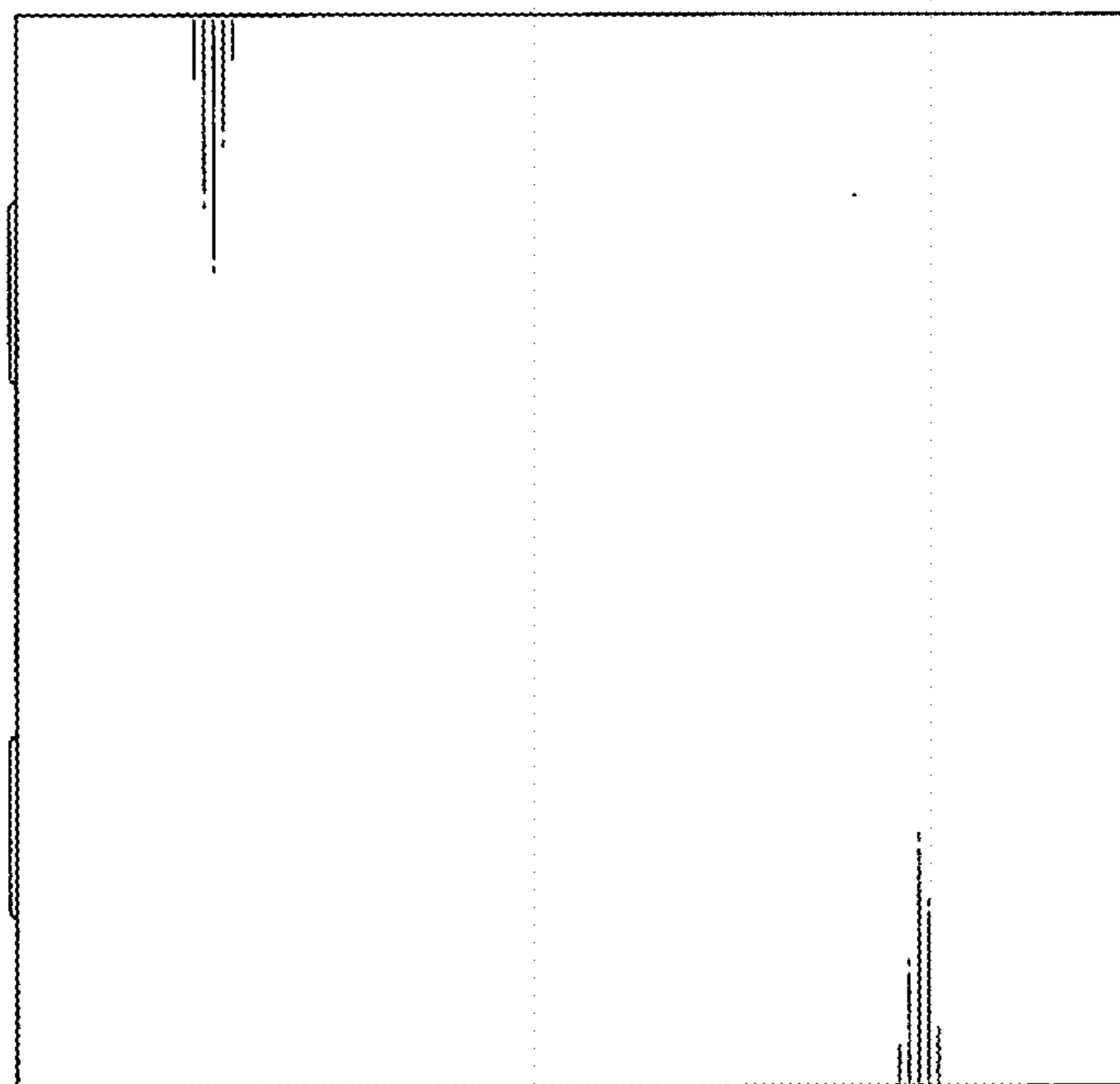


Fig. 7