



US00D817668S

(12) **United States Design Patent** (10) **Patent No.:** **US D817,668 S**
Davis et al. (45) **Date of Patent:** **** May 15, 2018**

(54) **CONSOLE**

2/6036; E05B 53/001; E05F 1/006; E06B 3/7001; F24C 7/004; F24B 1/1808

(71) Applicant: **WALKER EDISON FURNITURE COMPANY, LLC**, Salt Lake City, UT (US)

See application file for complete search history.

(72) Inventors: **Matthew Davis**, Murray, UT (US); **Brad Bonham**, Draper, UT (US)

(56) **References Cited**

(73) Assignee: **WALKER EDISON FURNITURE COMPANY, LLC**, Salt Lake City, UT (US)

U.S. PATENT DOCUMENTS

(**) Term: **15 Years**

D68,659 S *	11/1925	Smith	D14/168
D84,940 S *	8/1931	Kahn	D23/342
D190,831 S *	7/1961	Petruccelli	D14/184
D190,832 S *	7/1961	Petruccelli	D14/184
D244,111 S *	4/1977	Friedman	D6/671.1
D276,457 S *	11/1984	Heger	D23/343
D328,341 S *	7/1992	Chiu	D23/346

(Continued)

(21) Appl. No.: **29/592,212**

OTHER PUBLICATIONS

(22) Filed: **Jan. 27, 2017**

“Stein World Cabinets 2-Glass Door Cabinet in Red” May 7, 2008, royalfurniture.com, site visited Mar. 6, 2018 <<https://www.royalfurniture.com/item/cabinets-accent-cabinet/554401773>> (Year: 2008).*

(51) **LOC (11) Cl.** **06-04**

(52) **U.S. Cl.**
USPC **D6/663**

(58) **Field of Classification Search**

USPC D6/656.1, 657, 661, 663, 671, 671.1, D6/691.8, 691.9; D14/168, 175, 179, D14/188, 209.1, 210, 211; D23/286, 403, D23/410, 463

CPC A47B 55/02; A47B 3/00; A47B 81/005; A47B 81/00; A47B 81/06; A47B 67/02; A47B 77/02; A47B 47/05; A47B 47/024; A47B 47/0066; A47B 87/005; A47B 87/0292; A47B 43/00; A47B 45/00; A47B 88/49; A47B 88/90; A47G 1/12; A47G 1/10; A47G 1/06; A47G 1/0616; A47F 3/002; A47F 3/0413; A47F 5/08; A47F 5/116; A47F 5/0018; A45C 11/16; B42F 17/00; E05C 19/001; E05C 3/042; E05C 7/04; F25D 21/14; F25D 23/02; F25D 23/069; F25D 2400/10; F25D 2400/18; G09F 1/12; G09F 9/10; G09F 15/0012; H05K 9/0062; Y10T 428/24694; Y10T 403/73; B01D 3/148; B22F 3/1055; B60N 2/60; B60N 2/2881; B60N 2/6018; B60N

Primary Examiner — Kevin K Rudzinski

Assistant Examiner — Paul D Bohannon

(74) *Attorney, Agent, or Firm* — Workman Nydegger

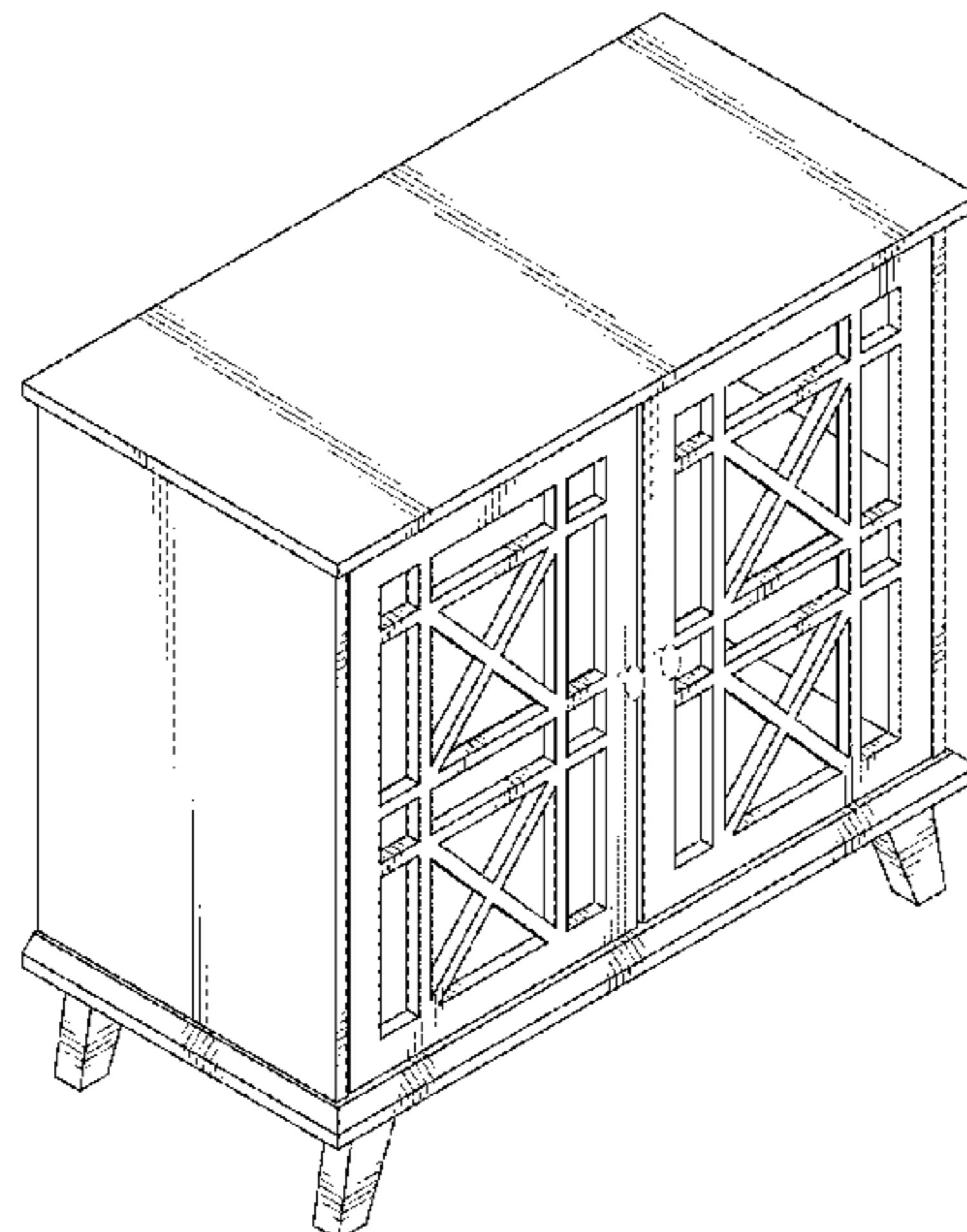
(57) **CLAIM**

The ornamental design for a console, as shown and described.

DESCRIPTION

FIG. 1 is a front perspective view of a console; FIG. 2 is a front elevation view thereof; FIG. 3 is a back elevation view thereof; FIG. 4 is a top plan view thereof; FIG. 5 is a bottom plan view thereof; FIG. 6 is a right elevation view thereof; and, FIG. 7 is a left elevation view thereof. The dash-dash broken lines in the drawings are for the purpose of illustrating portions of the article and form no part of the claimed design.

1 Claim, 4 Drawing Sheets



(56)

References Cited

U.S. PATENT DOCUMENTS

D371,017	S *	6/1996	Walters, III	D6/661
D403,894	S *	1/1999	Hutton	D6/671.1
D427,806	S *	7/2000	Lacroix	D6/671.1
D432,818	S *	10/2000	Hutton	D6/671.1
D448,203	S *	9/2001	Jeup	D6/671.1
D461,652	S *	8/2002	Stanton	D6/671.1
D507,899	S *	8/2005	Rozenboom	D6/661
D533,731	S *	12/2006	Boerner	D6/657
D569,127	S *	5/2008	Kanthasamy	D6/657
D576,822	S *	9/2008	Hynes	D6/661
D586,585	S *	2/2009	Hynes	D6/661
D587,483	S *	3/2009	Zambelli	D6/657
D594,673	S *	6/2009	Domack	D6/671.1
D654,289	S *	2/2012	Zambelli	D6/661
D668,475	S *	10/2012	Zambelli	D6/661
D715,050	S *	10/2014	Uffner	D3/277
D767,921	S *	10/2016	Burden	D6/671.1
D801,728	S *	11/2017	Reyes	D6/660
2006/0001336	A1 *	1/2006	Lupo	A47B 45/00 312/205
2007/0224561	A1 *	9/2007	Hess	F24C 7/004 431/125
2008/0116771	A1 *	5/2008	Green	A47B 81/06 312/7.2
2016/0195277	A1 *	7/2016	Li	F24B 1/1808 392/348

* cited by examiner

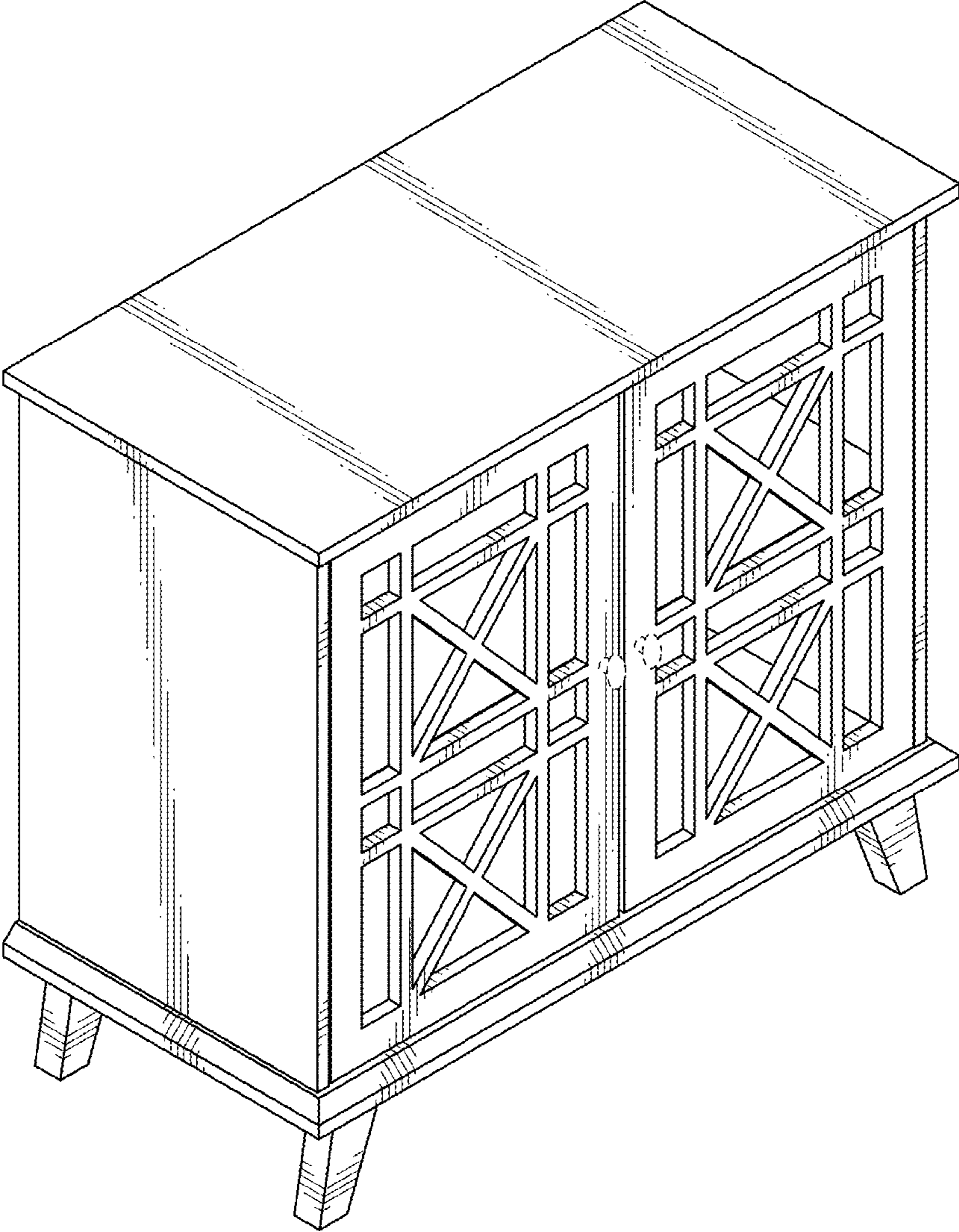


FIG. 1

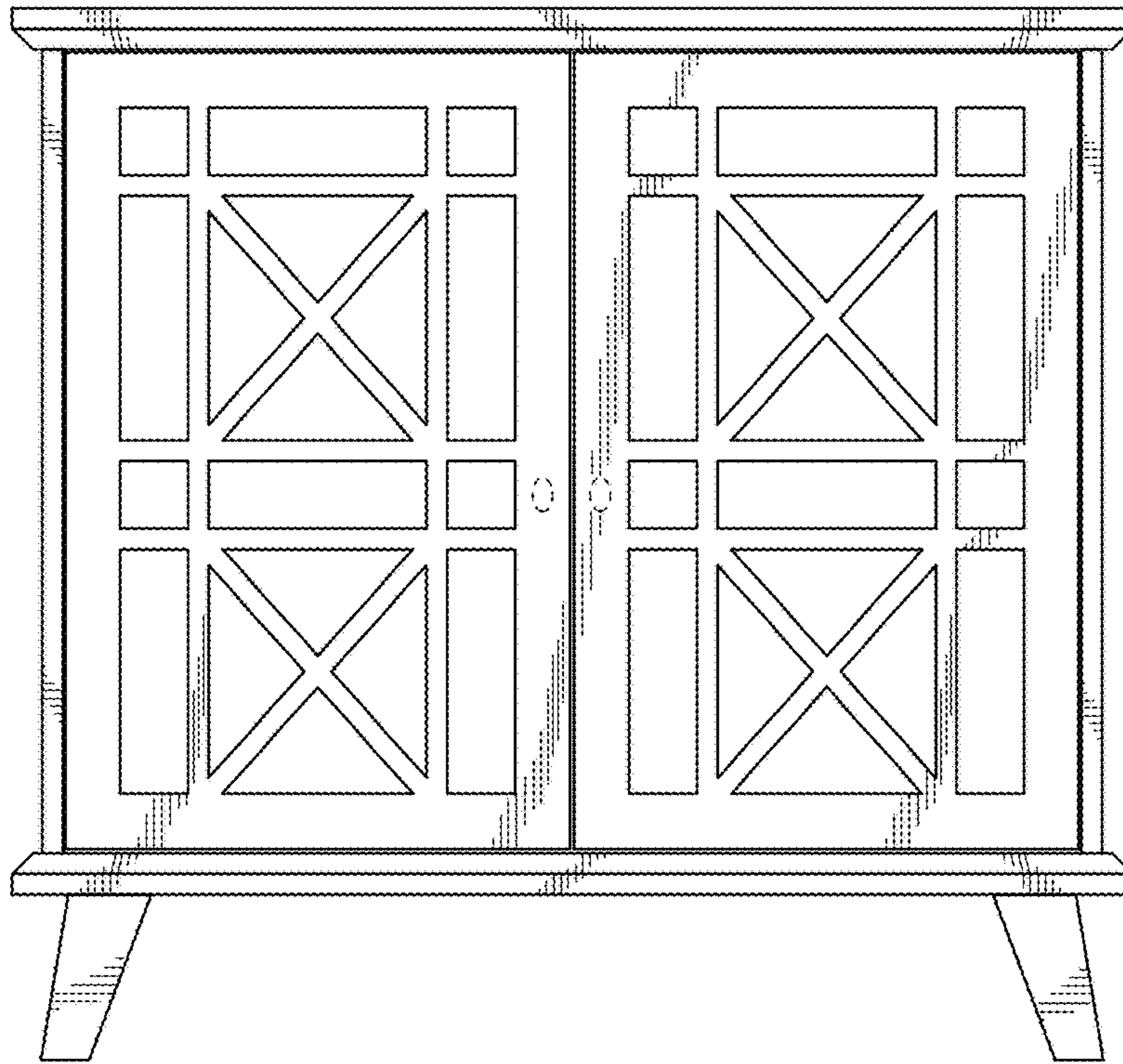


FIG. 2

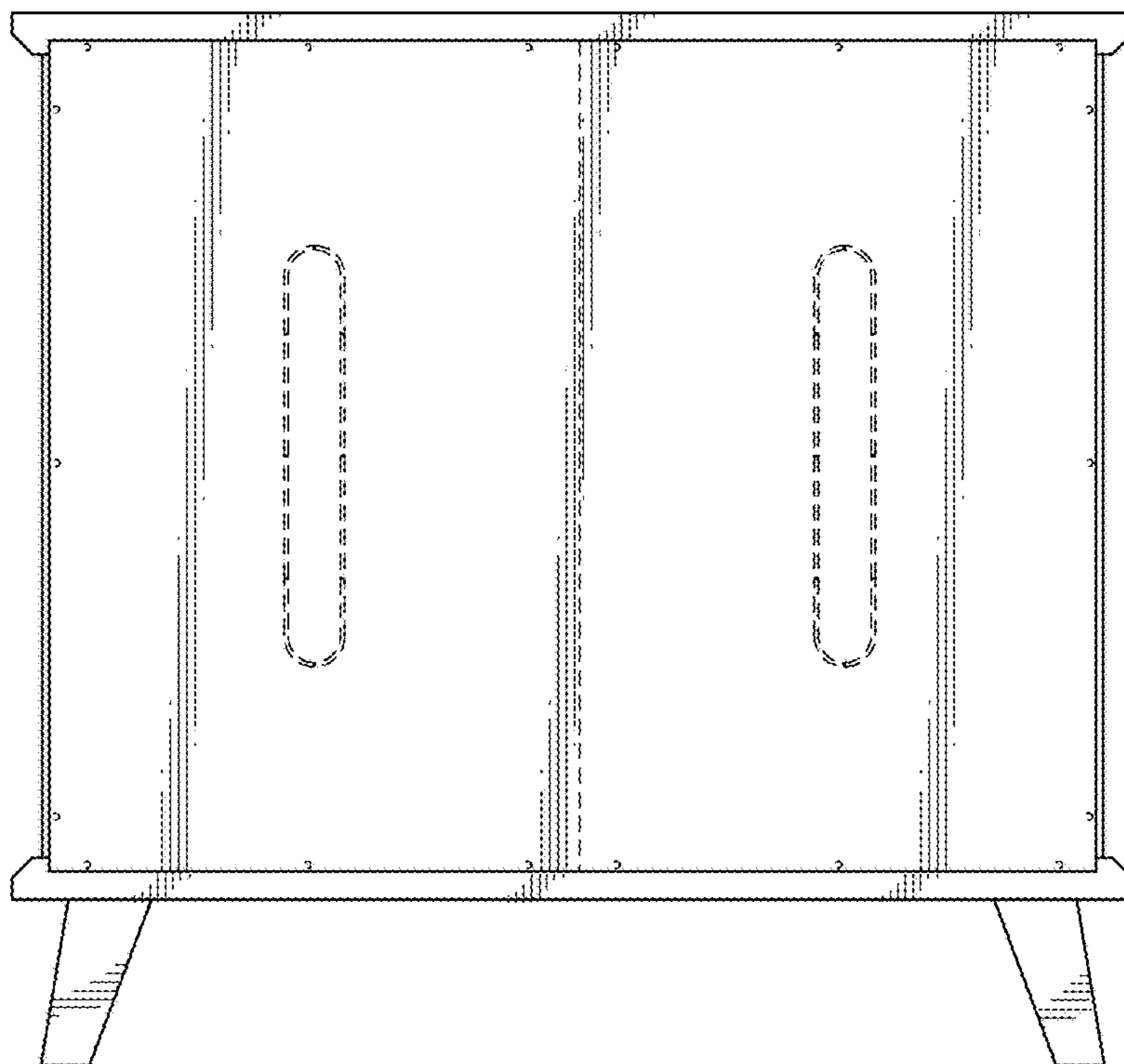


FIG. 3

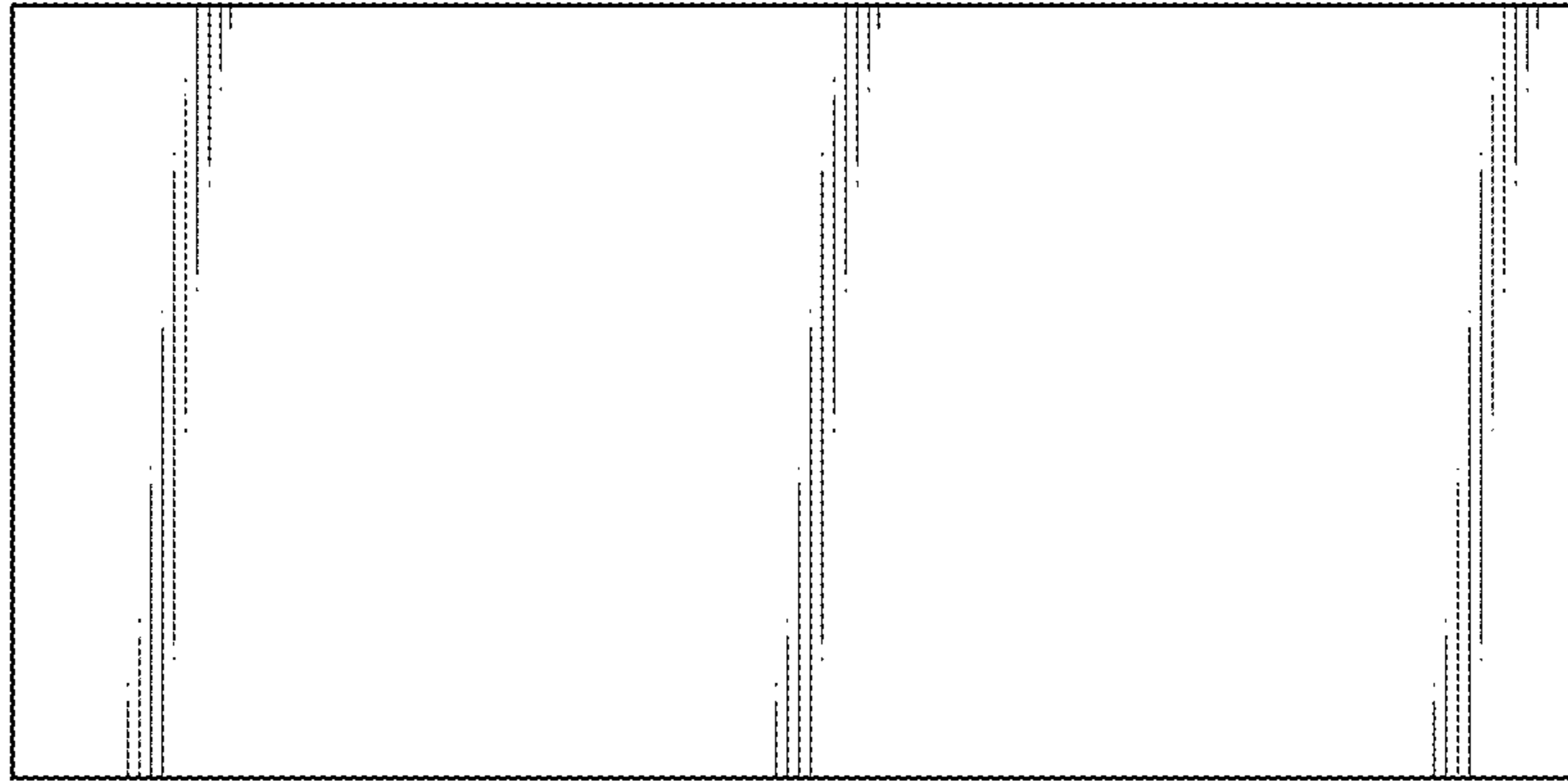


FIG. 4

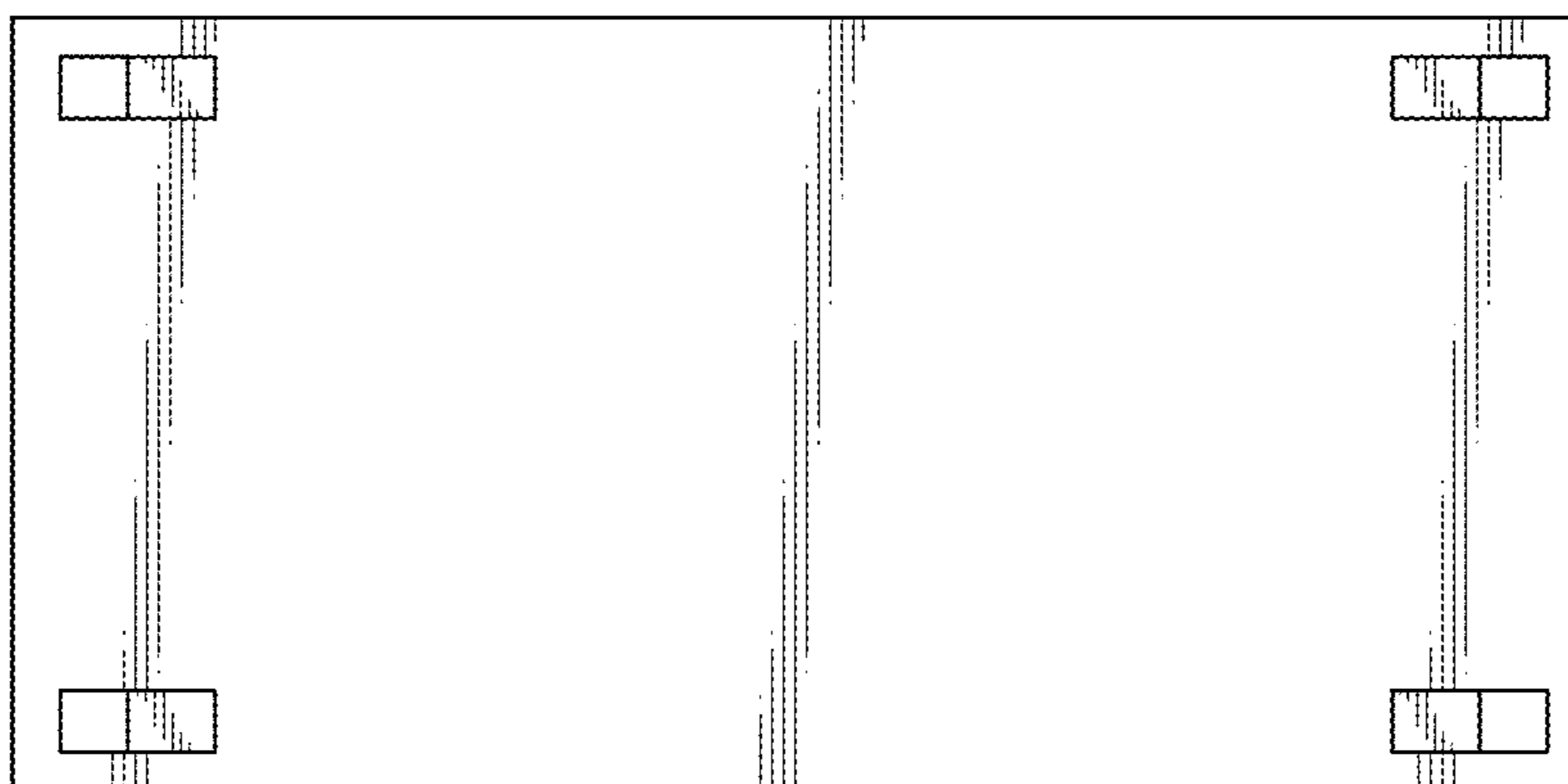


FIG. 5

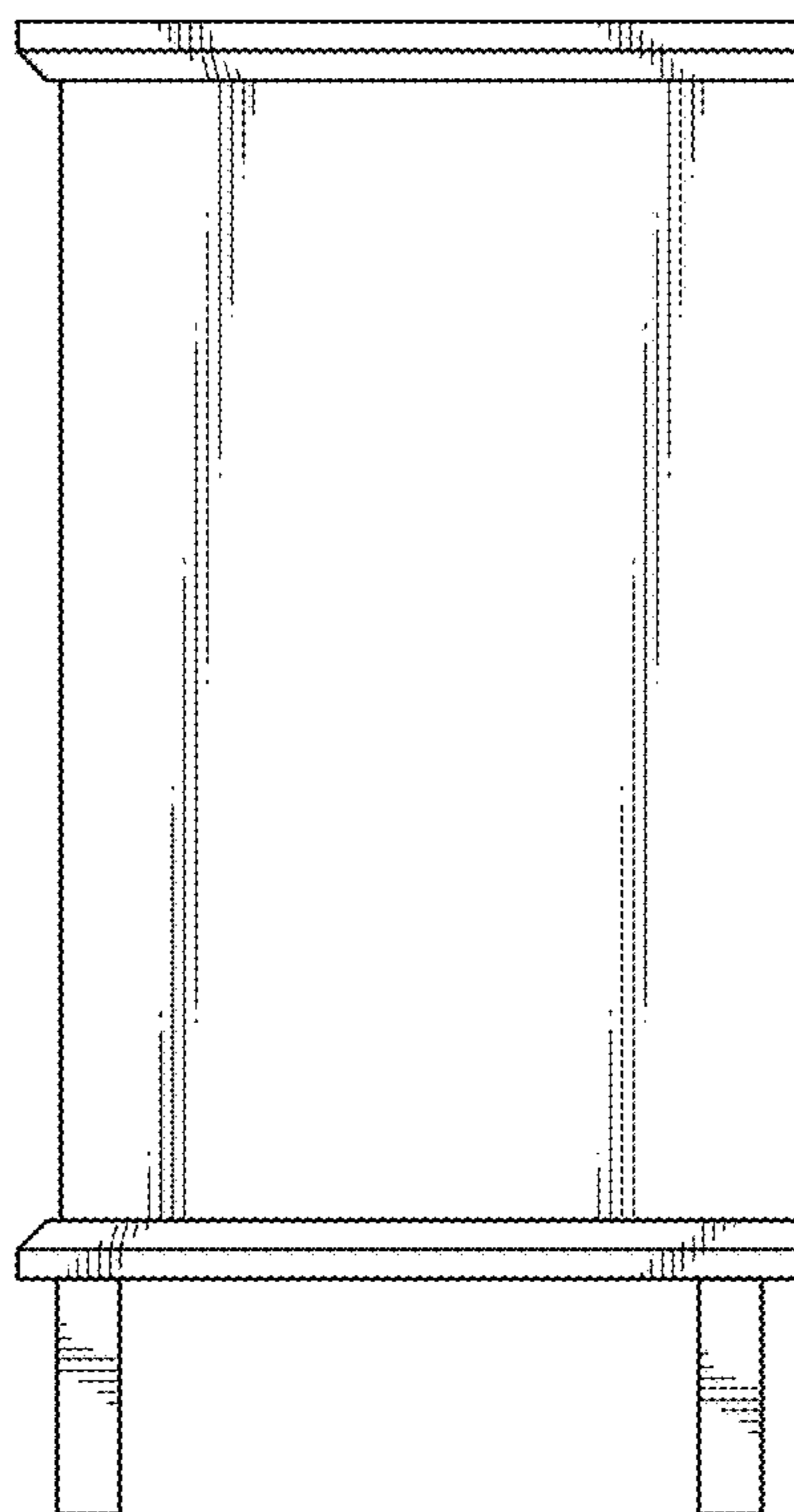


FIG. 6

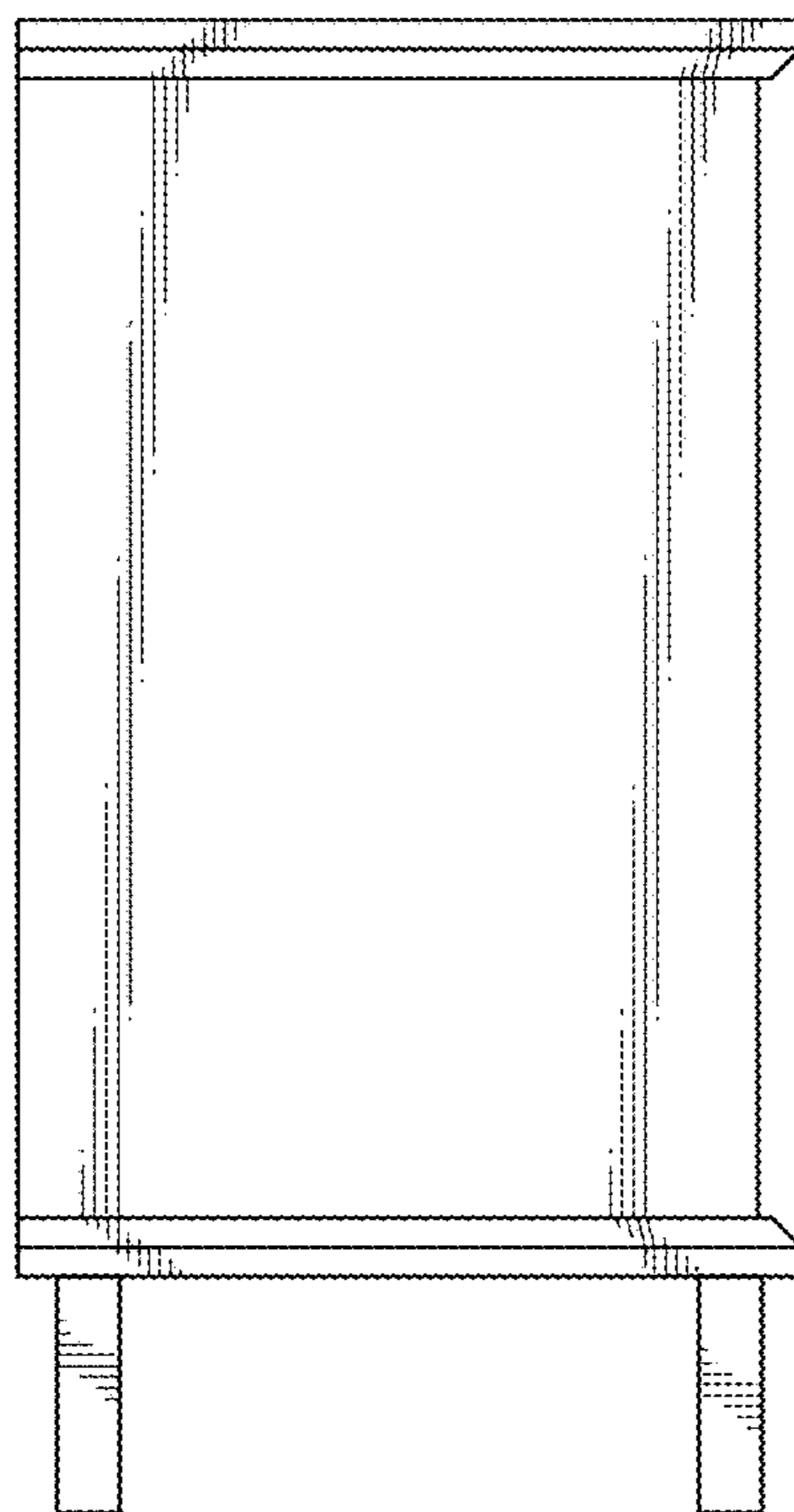


FIG. 7