



US00D817665S

(12) **United States Design Patent** (10) **Patent No.:** **US D817,665 S**
Nielsen (45) **Date of Patent:** **** *May 15, 2018**

(54) **DESK**

(71) Applicant: **Turnkey Products LLC**, Colliersville, TN (US)

(72) Inventor: **Andreas Krestian Nielsen**, Lake Arrowhead, CA (US)

(73) Assignee: **Turnkey Products, LLC**, Las Vegas, NV (US)

(*) Notice: This patent is subject to a terminal disclaimer.

(**) Term: **15 Years**

(21) Appl. No.: **29/543,127**

(22) Filed: **Oct. 21, 2015**

(51) **LOC (11) Cl.** **06-03**

(52) **U.S. Cl.**
USPC **D6/655.21**

(58) **Field of Classification Search**
USPC D6/641, 655, 655.1, 655.11, 655.14, D6/655.18, 655.21, 691
CPC A47B 7/00; A47B 21/00; A47B 2009/006
See application file for complete search history.

(56) **References Cited**

U.S. PATENT DOCUMENTS

D149,619	S	*	5/1948	Dahm	108/118
D426,989	S	*	6/2000	Pagnon	D6/691.6
D546,588	S	*	7/2007	Massaud	D6/691
D604,064	S	*	11/2009	Garbin	D6/655.21
D721,908	S	*	2/2015	Hughes	D6/691.9

OTHER PUBLICATIONS

'Benzara Steel and Leather Console Table, 17.52 by 17.52 by 17.52-Inch, Black'. amazon.com [online]. Oct. 13, 2013 [retrieved Jul. 18, 2016]. Retrieved from the Internet: <URL: https://www.amazon.com/Benzara-Steel-Leather-Console-17-52-Inch/dp/B00FV5BYUY/ref=sr_1_32?ie=UTF8&qid=1468849484&sr=8-32&keywords=leather+console+table>.*

'Brown Faux Leather Two Drawer Console Table'. amazon.com [online]. Oct. 13, 2014 [retrieved Jul. 18, 2016]. Retrieved from the Internet: <URL: <https://www.amazon.co.uk/Brown-Leather-Drawer-Console-Table/dp/B00OFXD1VS>>.*

'Delilah Height Adjustable Desk'. wayfairsupply.com [online]. Earliest date Jul. 16, 2016 [retrieved Jul. 18, 2016]. Retrieved from the Internet: <URL: <http://www.wayfairsupply.com/Delilah-60-Powered-Sit-and-Stand-Desk-LB-SAS-K-3260-TPLL1131.html?source=hotdeals>>.*

* cited by examiner

Primary Examiner — Mary Ann Calabrese

(74) *Attorney, Agent, or Firm* — MacCord Mason PLLC

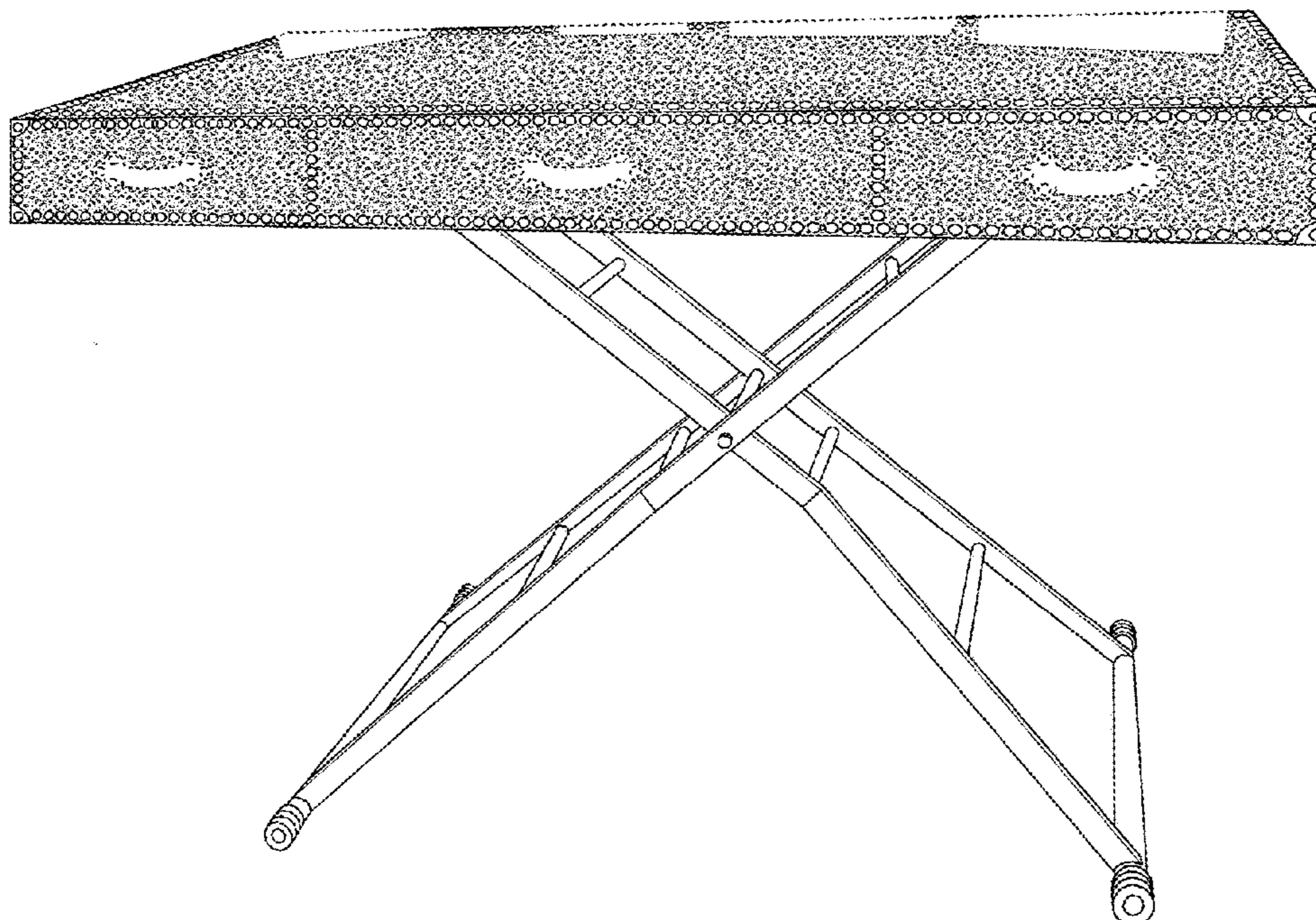
(57) **CLAIM**

The ornamental design for a desk, as shown and described.

DESCRIPTION

FIG. 1 is a front, perspective view of a desk showing my new design;
FIG. 2 is a side view, the opposite side being a mirror image thereof; and,
FIG. 3 is a back, perspective view thereof.
The broken lines representing the boundaries form no part of the claimed design.

1 Claim, 3 Drawing Sheets



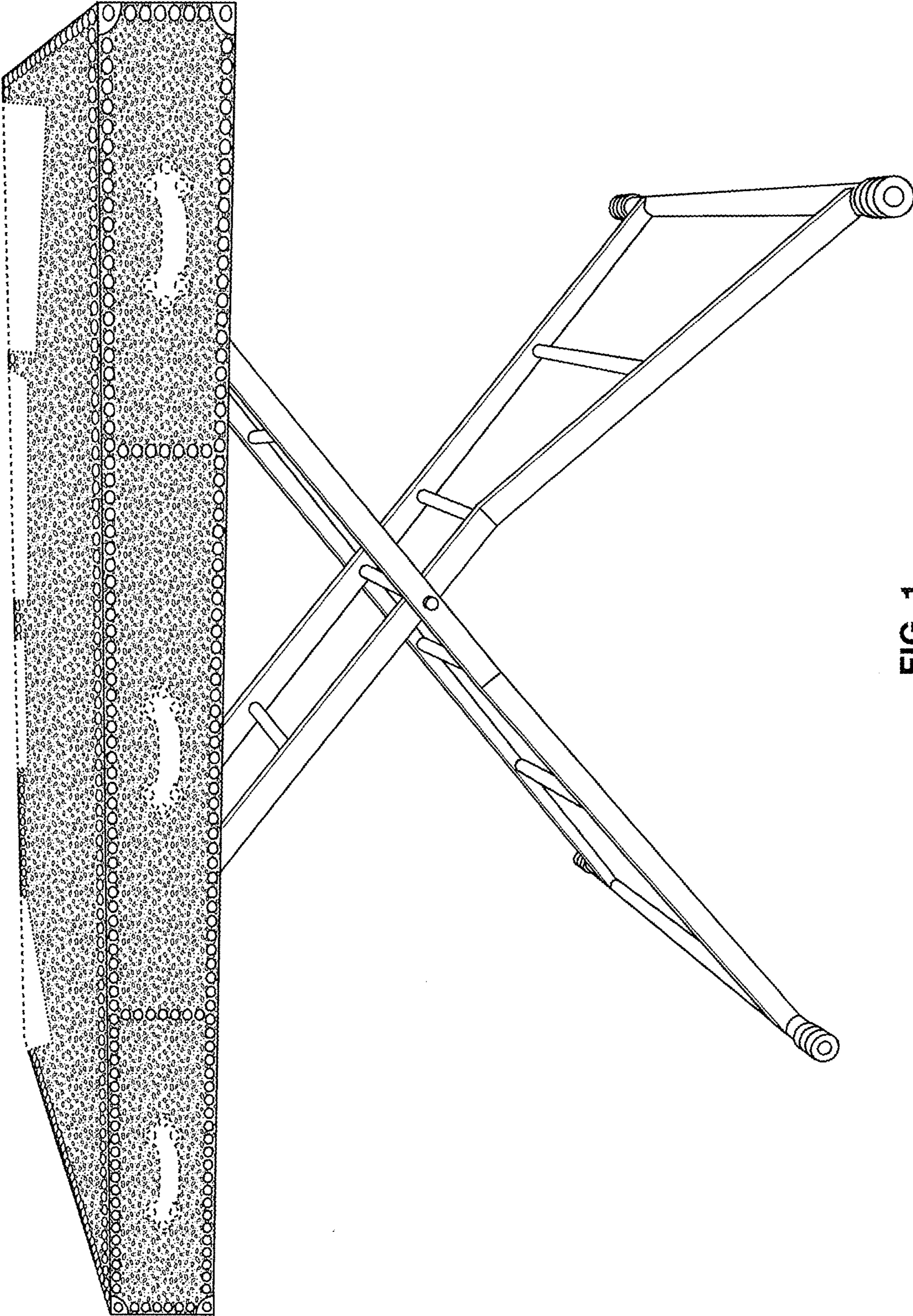


FIG. 1

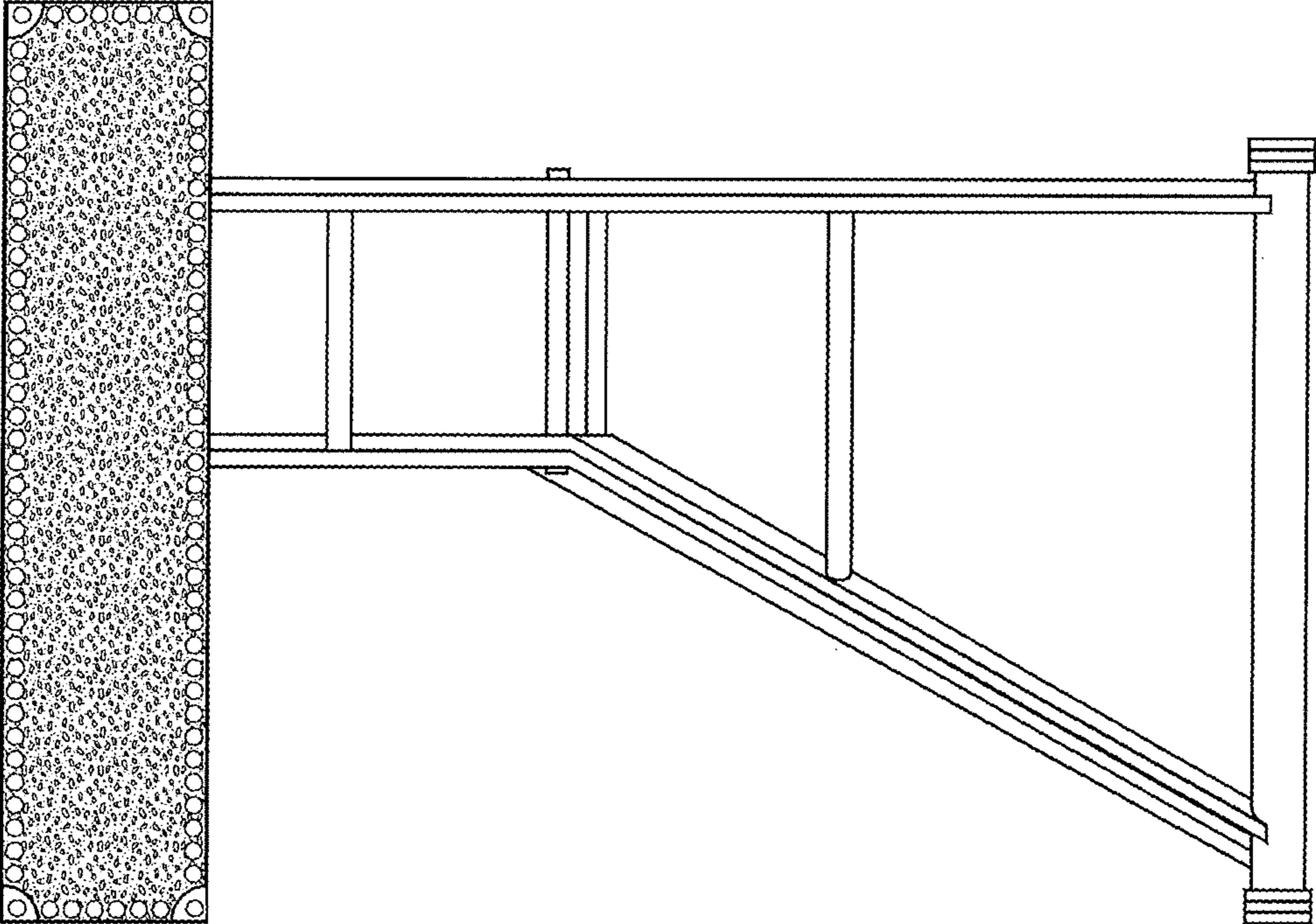


FIG. 2

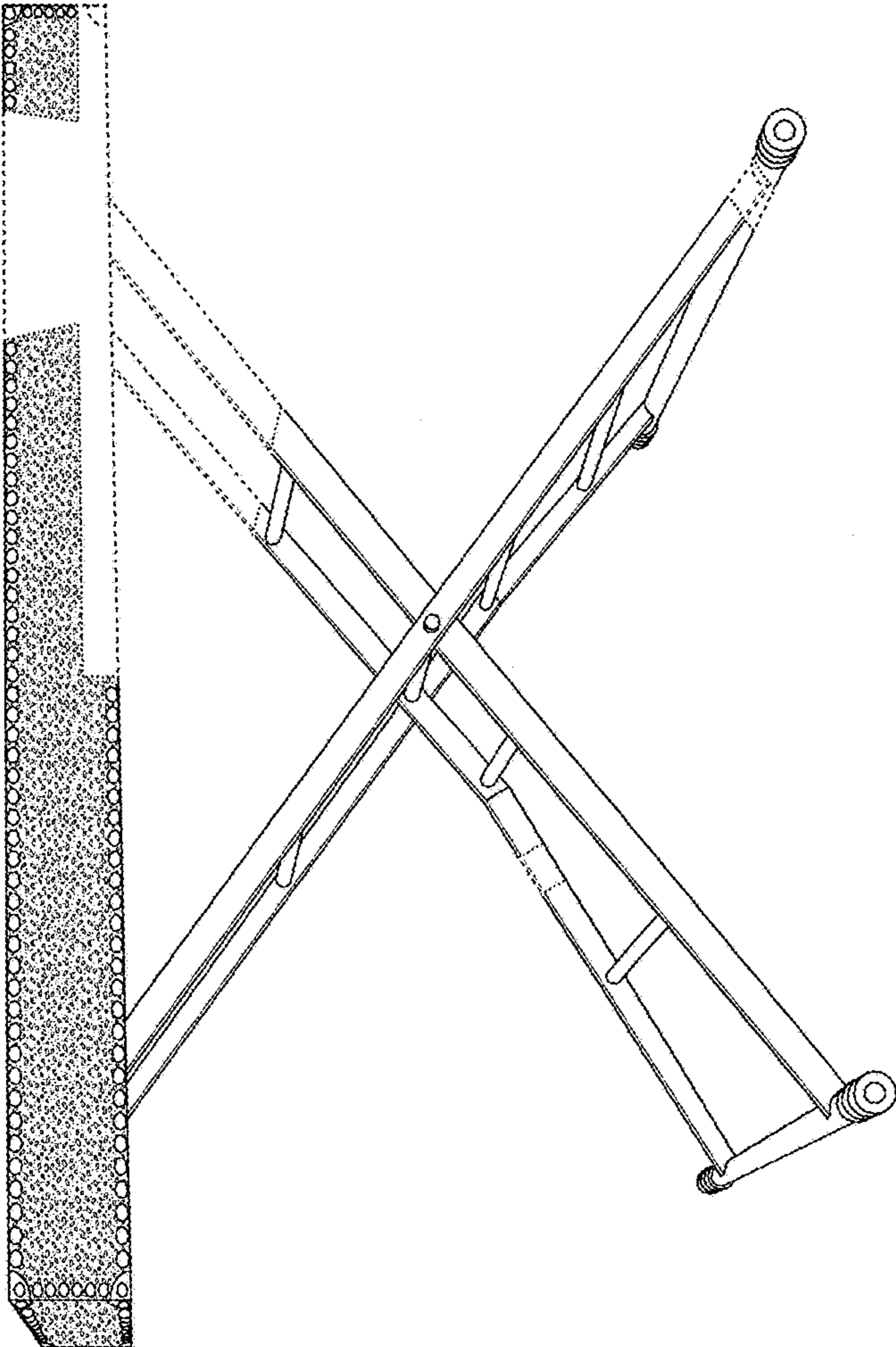


FIG. 3