



US00D817660S

(12) **United States Design Patent** (10) **Patent No.:** **US D817,660 S**
Raiti (45) **Date of Patent:** **** May 15, 2018**

(54) **CASSETTE ASSEMBLY FOR A BLIND SYSTEM**

(71) Applicant: **Acmeda Pty Ltd**, Broadmeadows VIC (AU)

(72) Inventor: **Nathan Raiti**, Fitzroy (AU)

(73) Assignee: **Acmeda Pty Ltd**, Broadmeadows VIC (AU)

(**) Term: **15 Years**

(21) Appl. No.: **29/536,943**

(22) Filed: **Aug. 20, 2015**

(30) **Foreign Application Priority Data**

Feb. 20, 2015 (AU) 201510910

(51) **LOC (11) Cl.** **06-10**

(52) **U.S. Cl.**
USPC **D6/580**

(58) **Field of Classification Search**

USPC D6/576, 577, 579, 580; D8/354, 363, D8/373, 376, 377, 380; D25/119, 121, D25/123, 125
CPC .. A47H 1/04; A47H 1/13; B60J 1/2038; B60J 1/2063; E06B 2009/587; E06B 9/262; E06B 9/266; E06B 9/323; E06B 9/40; E06B 9/42; E06B 9/58

See application file for complete search history.

(56) **References Cited**

U.S. PATENT DOCUMENTS

D329,294 S * 9/1992 DuBeau D25/48.4
D355,094 S * 2/1995 Josephson D6/577
D487,662 S * 3/2004 Ward D6/580
D680,357 S * 4/2013 Wills D6/580
2005/0252614 A1* 11/2005 Drew E06B 9/56
160/23.1

2007/0079943 A1* 4/2007 Smith E06B 9/42
160/121.1
2007/0272368 A1* 11/2007 Hoffmann E06B 9/323
160/121.1
2008/0053625 A1* 3/2008 Anthony E06B 9/34
160/121.1
2008/0185109 A1* 8/2008 Lin E06B 9/262
160/170
2008/0245917 A1* 10/2008 Pon E06B 9/42
242/385.1
2009/0250177 A1* 10/2009 Byeon E06B 9/40
160/323.1

(Continued)

Primary Examiner — Shannon W Morgan

Assistant Examiner — Clare A Gannon

(74) *Attorney, Agent, or Firm* — Head, Johnson, Kachigian & Wilkinson, PC

(57) **CLAIM**

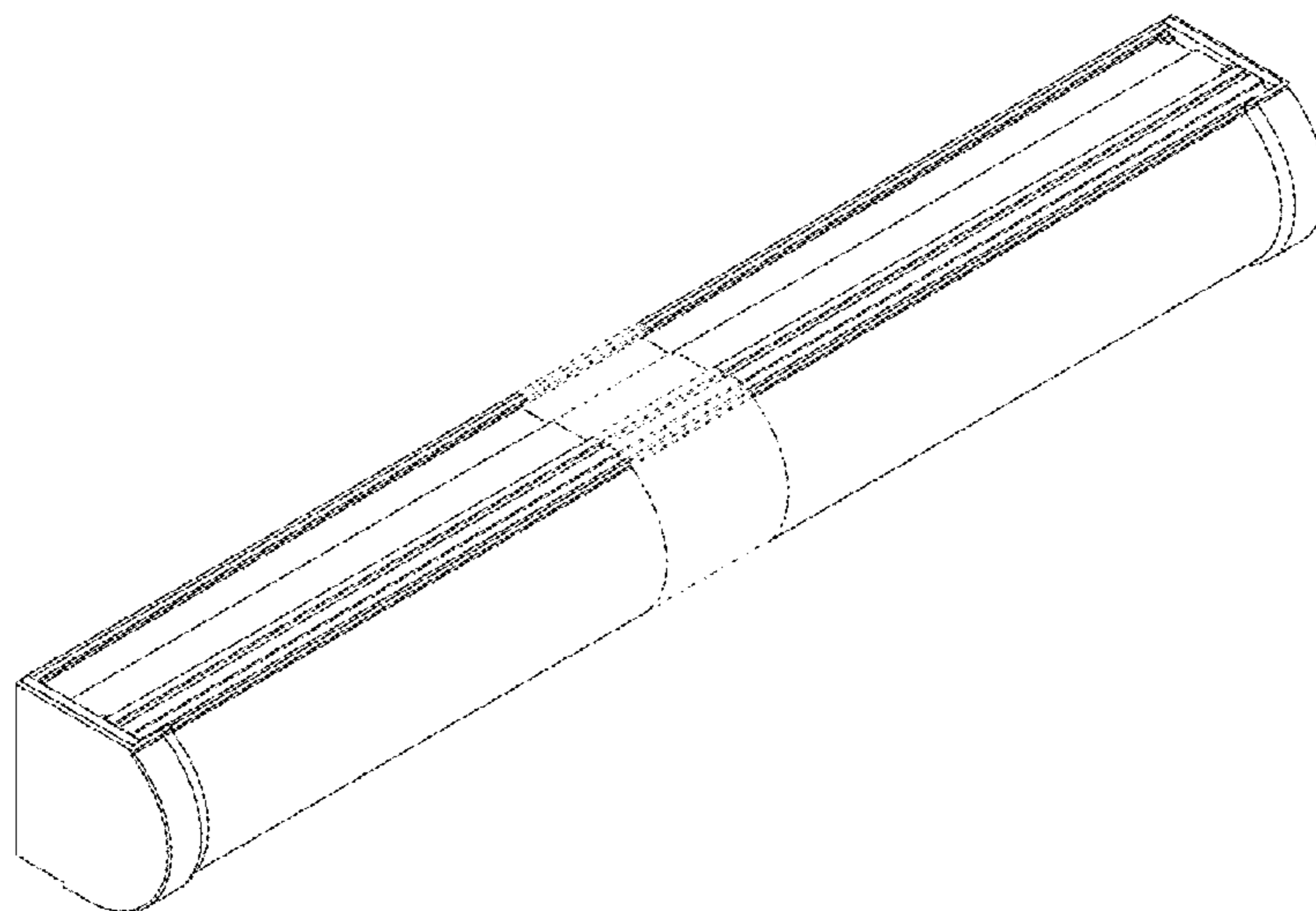
The ornamental design for a cassette assembly for a blind system, as shown and described.

DESCRIPTION

FIG. 1 is a top view of the cassette assembly for a blind system of the present invention;
FIG. 2 is a bottom view thereof;
FIG. 3 is a front view thereof;
FIG. 4 is a rear view thereof;
FIG. 5 is a top left perspective view thereof;
FIG. 6 is a top right perspective view thereof;
FIG. 7 is a bottom left perspective view thereof;
FIG. 8 is a bottom right perspective view thereof;
FIG. 9 is a left side view thereof; and,
FIG. 10 is a right side view thereof.

The cassette assembly for a blind is shown with a symbolic break in its length shown by dot-dashed lines. The appearance of any portion of the article between the dot-dashed lines forms no part of the claimed design. The dashed lines depict portions of the article that form no part of the claimed design.

1 Claim, 5 Drawing Sheets



(56)

References Cited

U.S. PATENT DOCUMENTS

2012/0043029	A1 *	2/2012	Gaskill	E06B 9/42 160/121.1
2012/0255686	A1 *	10/2012	Huang	E06B 9/42 160/293.1
2012/0261079	A1 *	10/2012	Chambers	E06B 9/32 160/6
2012/0267060	A1 *	10/2012	Anderson	E06B 9/262 160/241
2013/0192773	A1 *	8/2013	Wills	E06B 9/42 160/323.1
2013/0255894	A1 *	10/2013	Kim	E06B 9/56 160/322
2014/0047680	A1 *	2/2014	Ng	E06B 9/42 24/457
2014/0216666	A1 *	8/2014	Smith	E06B 9/38 160/84.04
2014/0305601	A1 *	10/2014	Mullet	E06B 9/322 160/170
2015/0007946	A1 *	1/2015	Yu	E06B 9/38 160/84.02
2015/0184454	A1 *	7/2015	Strand	E06B 9/324 160/178.2
2016/0010390	A1 *	1/2016	Smith	E06B 9/60 160/302
2016/0222725	A1 *	8/2016	Morris	E06B 9/262
2016/0237743	A1 *	8/2016	Holt	E06B 9/262

* cited by examiner

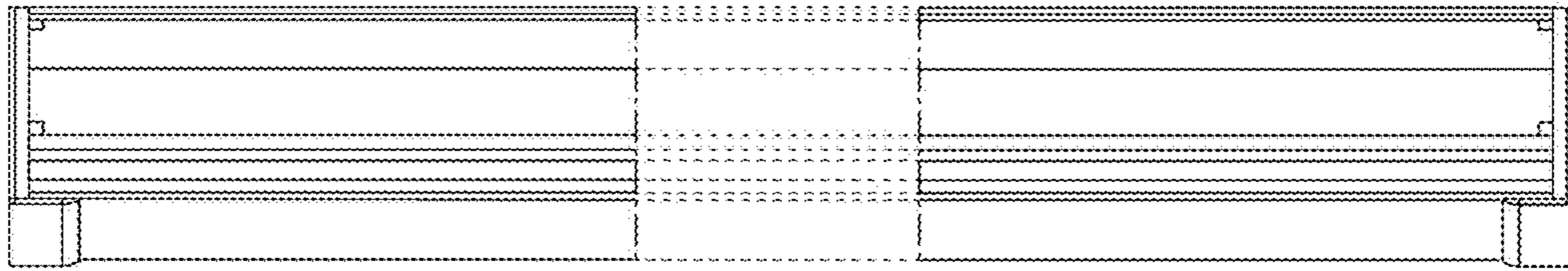


FIG. 1

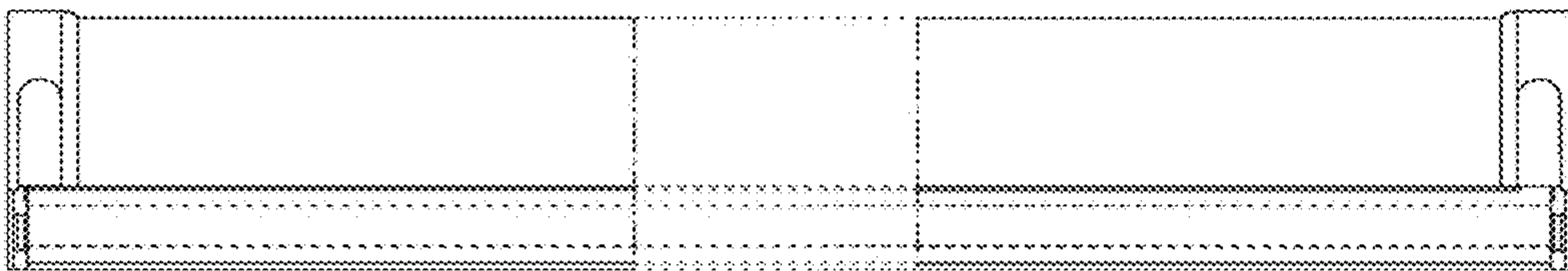


FIG. 2



FIG. 3

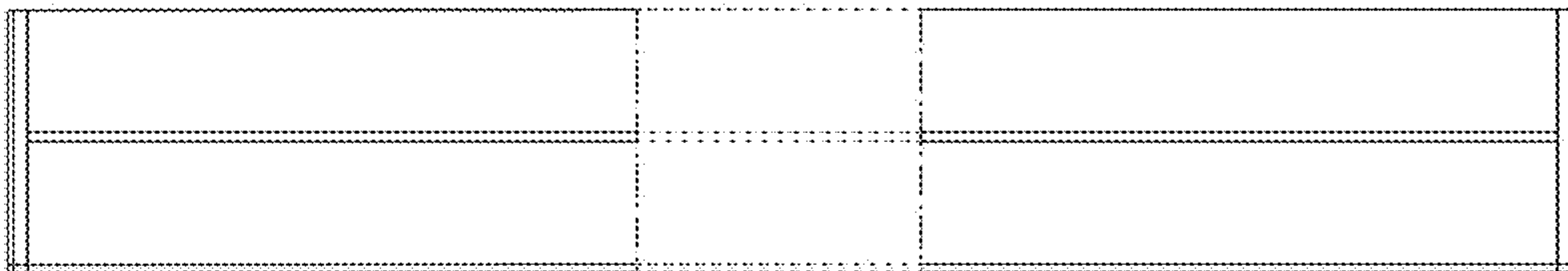


FIG. 4

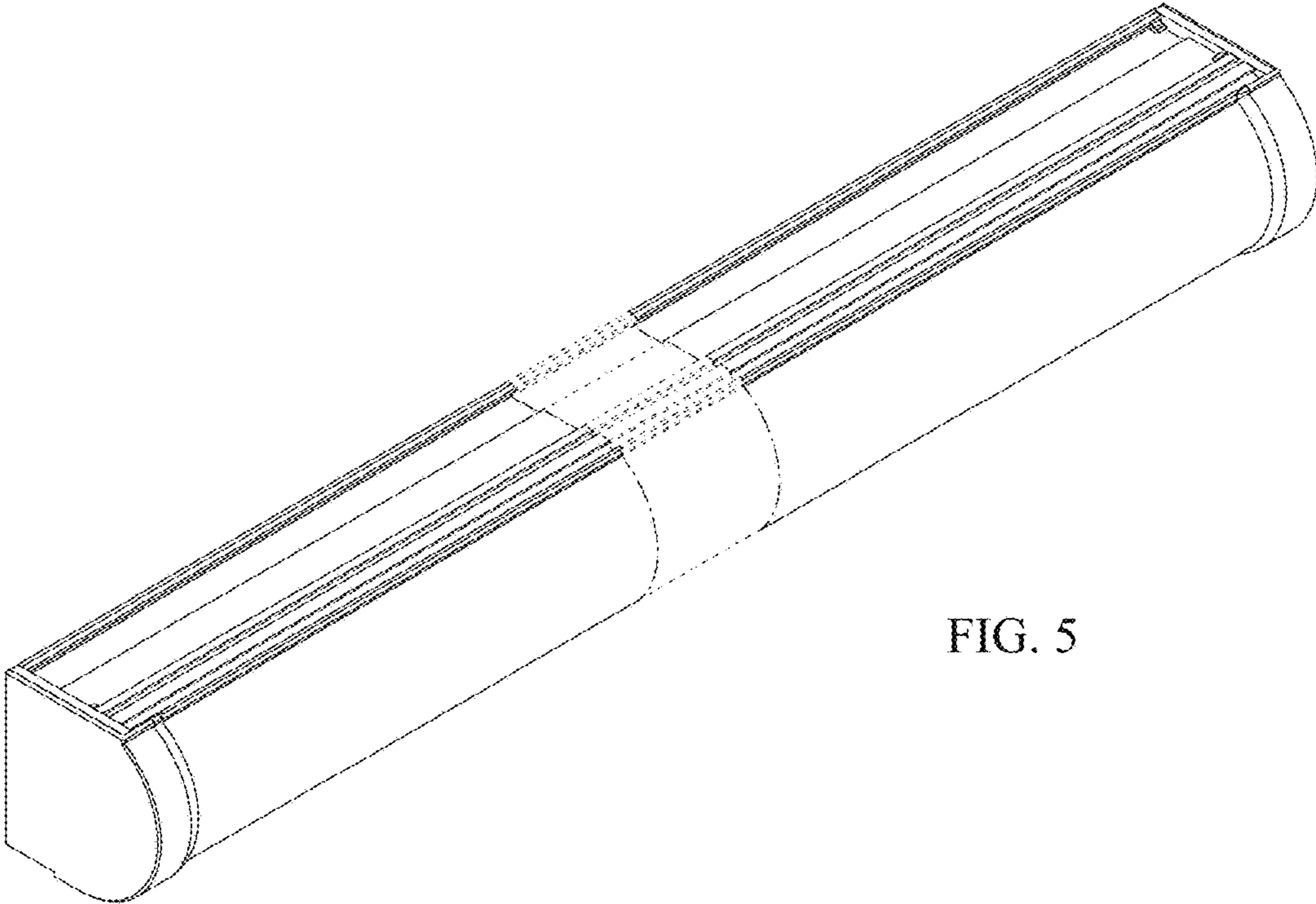


FIG. 5

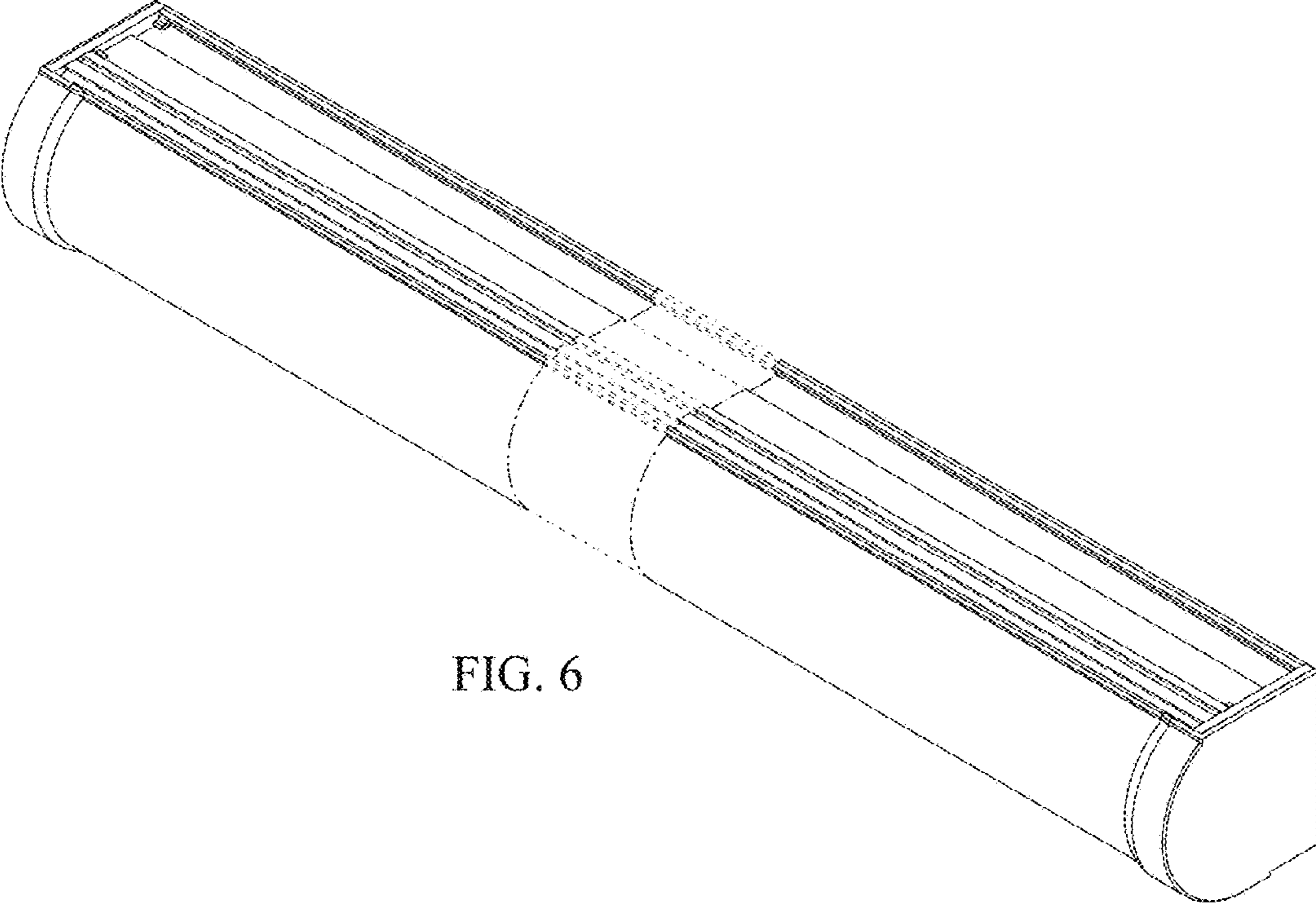


FIG. 6

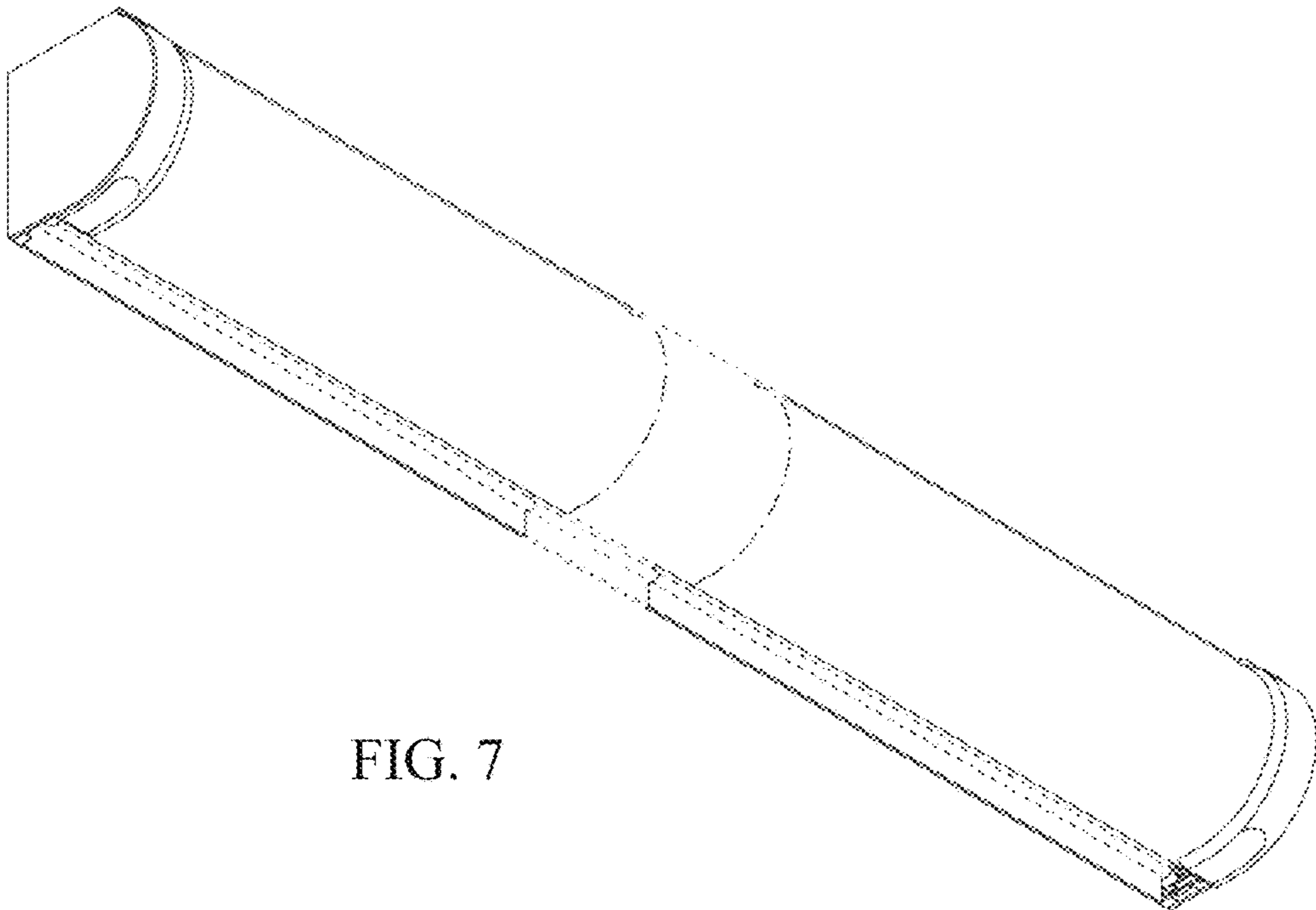


FIG. 7

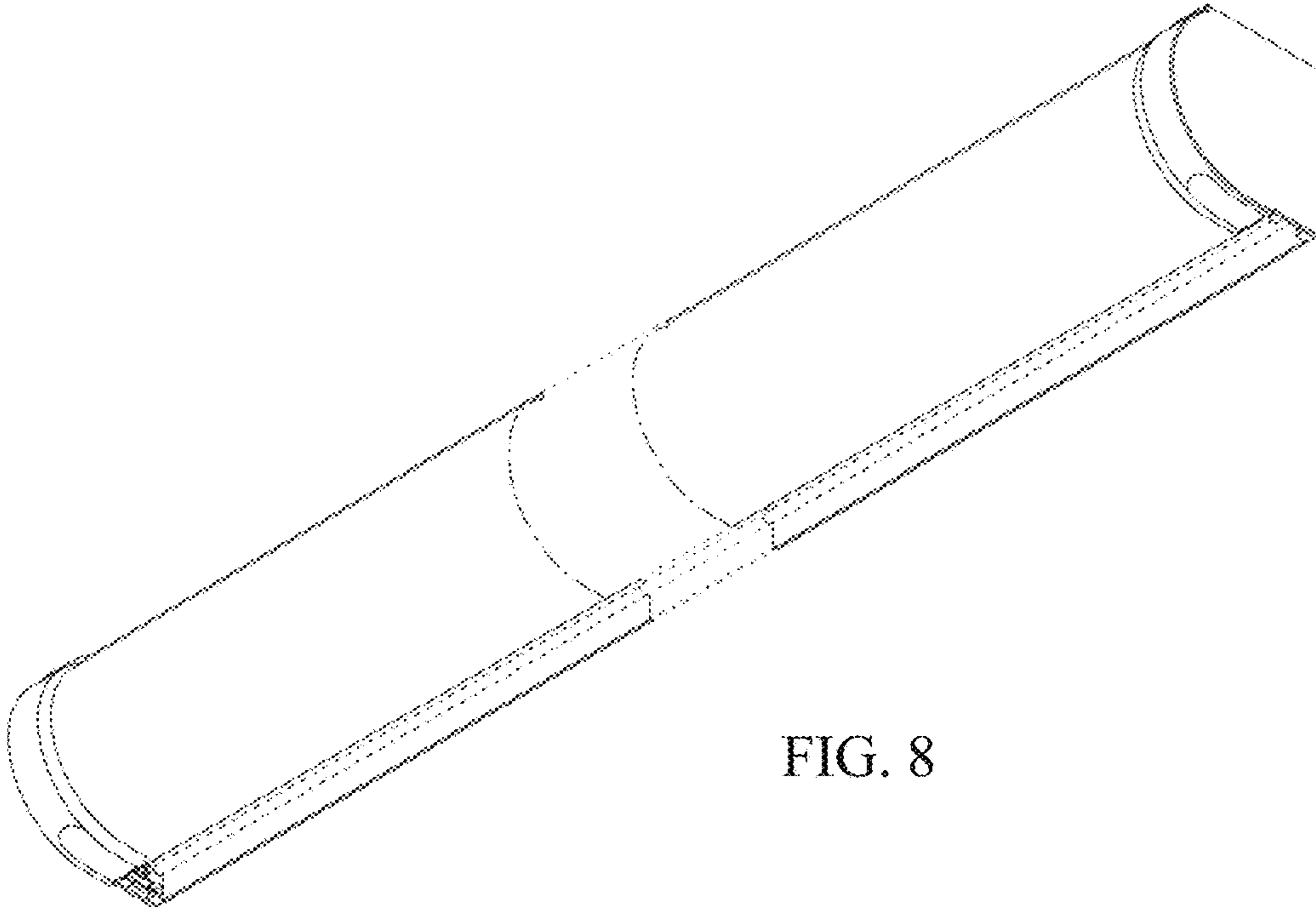


FIG. 8

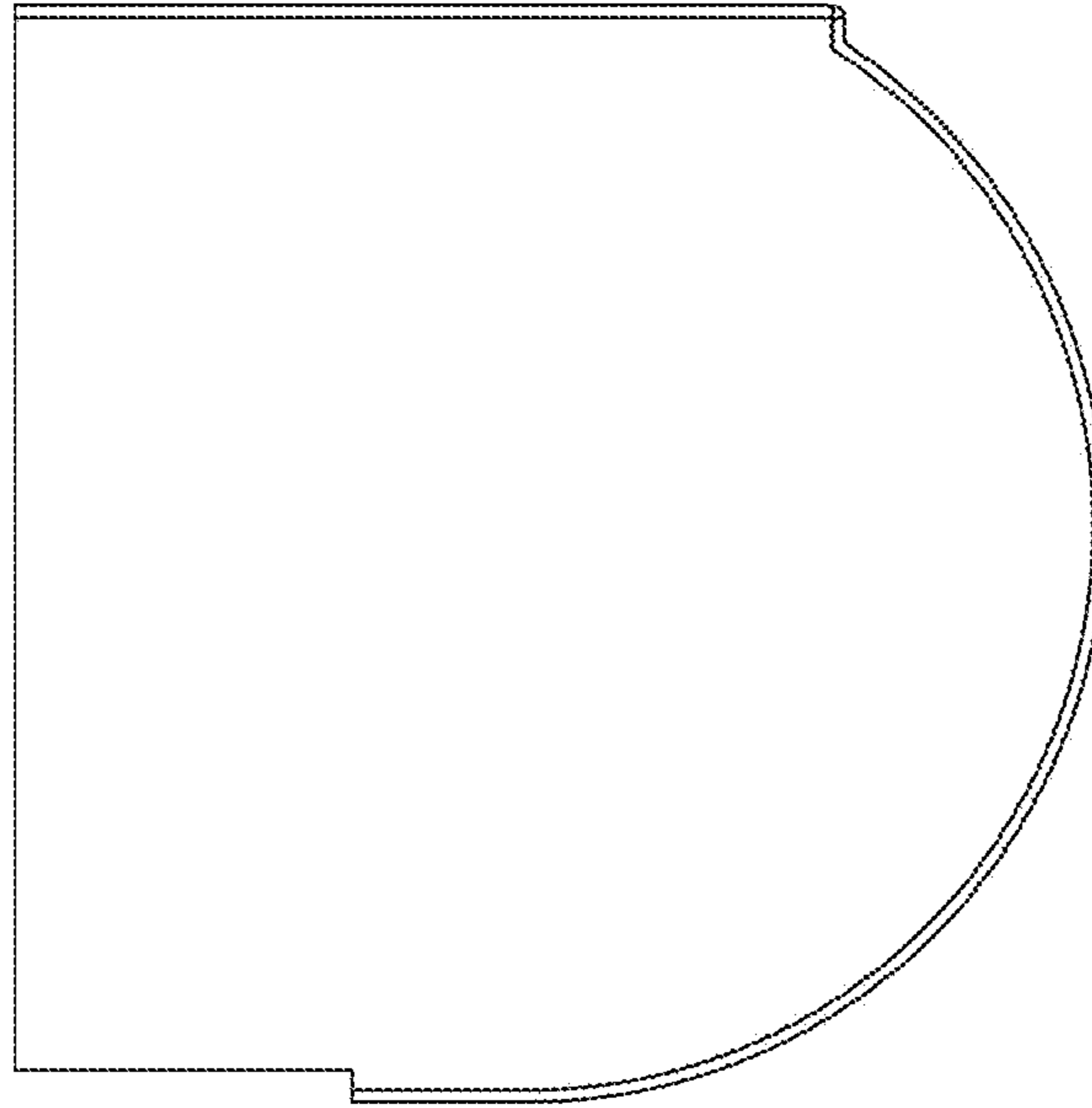


FIG. 9

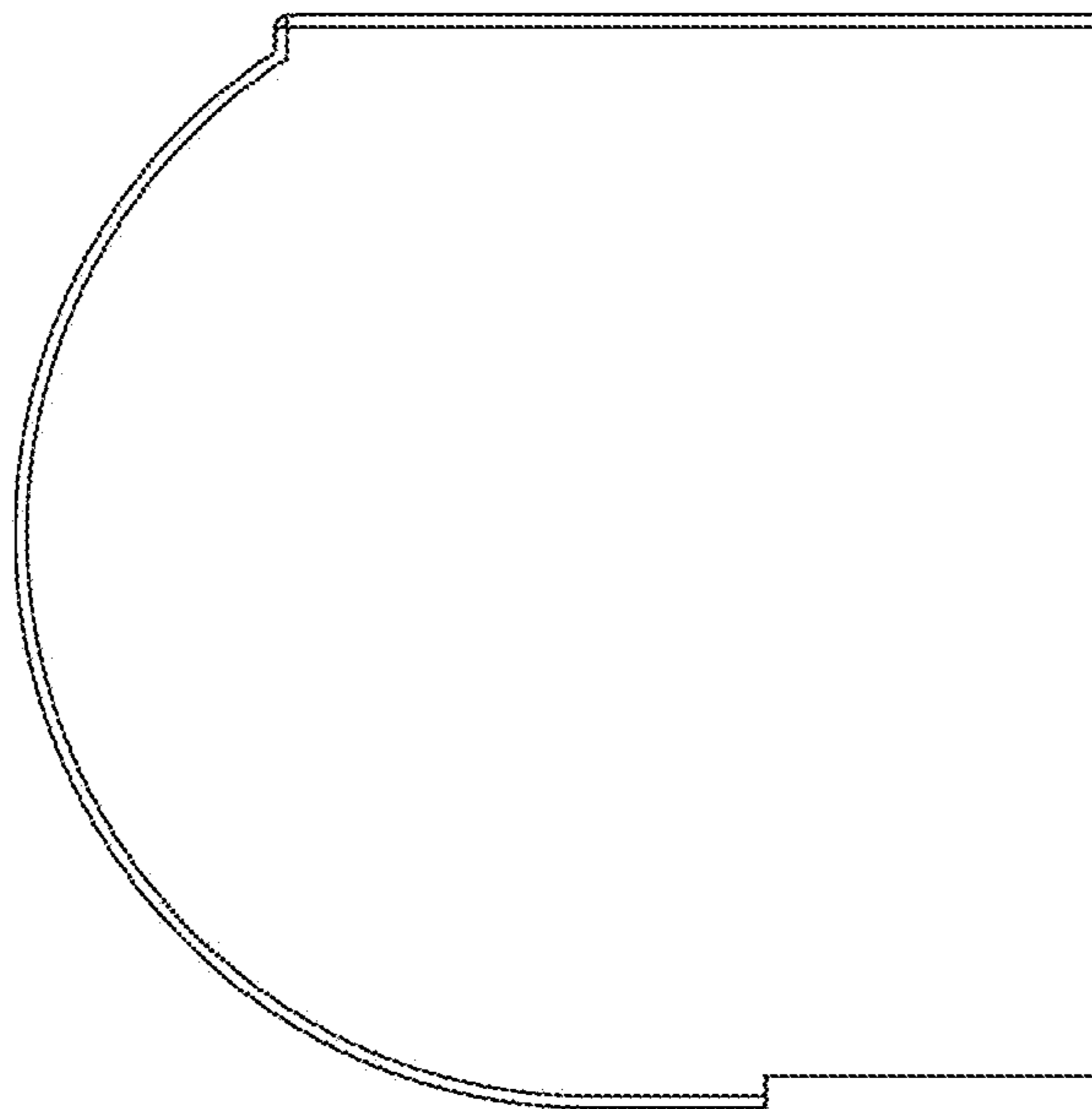


FIG. 10