



US00D817658S

(12) **United States Design Patent** (10) **Patent No.:** **US D817,658 S**  
**Cute** (45) **Date of Patent:** **\*\* May 15, 2018**

(54) **TAPERED ARCH PLANT STAND**  
(71) Applicant: **Sun Hill Industries, Inc.**, Fairfield, CT (US)  
(72) Inventor: **Joseph E. Cute**, Geneva, IL (US)  
(73) Assignee: **Sun Hill Industries, Inc.**, Fairfield, CT (US)  
(\*\*) Term: **15 Years**

D632,505 S \* 2/2011 Yeh ..... D6/403  
D648,957 S \* 11/2011 Cute ..... D6/405  
D658,906 S \* 5/2012 Cute ..... D6/403  
D694,547 S 12/2013 Cute .....  
D698,180 S 1/2014 Cute .....  
D698,565 S \* 2/2014 Cute ..... D6/403  
D698,566 S 2/2014 Cute .....  
D707,464 S 6/2014 Cute .....  
D719,371 S \* 12/2014 Cute ..... D6/403  
D732,303 S \* 6/2015 Cute ..... D6/403  
D794,352 S \* 8/2017 Cute ..... D6/404  
D794,353 S \* 8/2017 Cute ..... D6/404  
2012/0227317 A1 \* 9/2012 Yeh ..... A01G 9/12  
47/39

(21) Appl. No.: **29/593,949**

(22) Filed: **Feb. 14, 2017**

(51) **LOC (11) Cl.** ..... **06-06**

(52) **U.S. Cl.**  
USPC ..... **D6/403**

(58) **Field of Classification Search**  
USPC ..... D6/403, 404, 405, 556, 557, 558, 675, D6/683, 708.16, 708.2; D8/1; D11/143, D11/144, 145, 146, 147, 148, 149, 150, D11/151, 152, 153, 154, 155, 156, 164; D19/77, 80, 81, 84; D25/100; D26/9, D26/10, 11, 16, 19; D34/1, 2, 4, 5, 6; D99/5, 19; D9/428, 545, 643  
CPC . A01G 9/00; A01G 9/02; A01G 9/028; A01G 9/04; A01G 9/042; A01G 9/045; A01G 9/10; A01G 27/005; A01G 27/006; A01G 27/02; A01G 31/00; A01G 31/001; A01G 31/02

See application file for complete search history.

(56) **References Cited**

**U.S. PATENT DOCUMENTS**

D589,719 S \* 4/2009 Cute ..... D6/403  
D589,720 S \* 4/2009 Cute ..... D6/403

\* cited by examiner

*Primary Examiner* — Karen S Acker

*Assistant Examiner* — Steven B Reinhold, Jr.

(74) *Attorney, Agent, or Firm* — Riverside Law LLP

(57) **CLAIM**

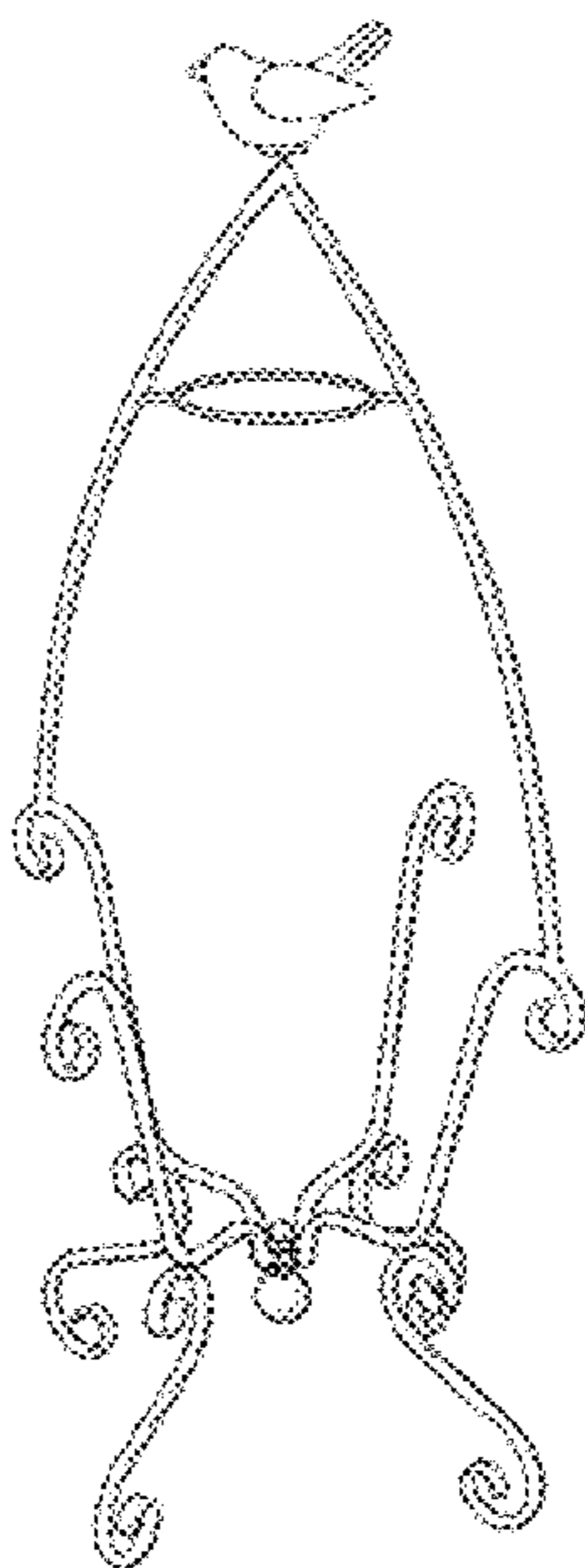
I claim the ornamental design for a tapered arch plant stand, as shown and described.

**DESCRIPTION**

FIG. 1 is a perspective view of a tapered arch plant stand; FIG. 2 is a front view thereof; FIG. 3 is a back view thereof; FIG. 4 is a right side view thereof; FIG. 5 is a left side view thereof; FIG. 6 is a top view thereof; and, FIG. 7 is a bottom view thereof.

The broken lines in the drawings depict environmental subject matter that forms no part of the claimed design.

**1 Claim, 6 Drawing Sheets**



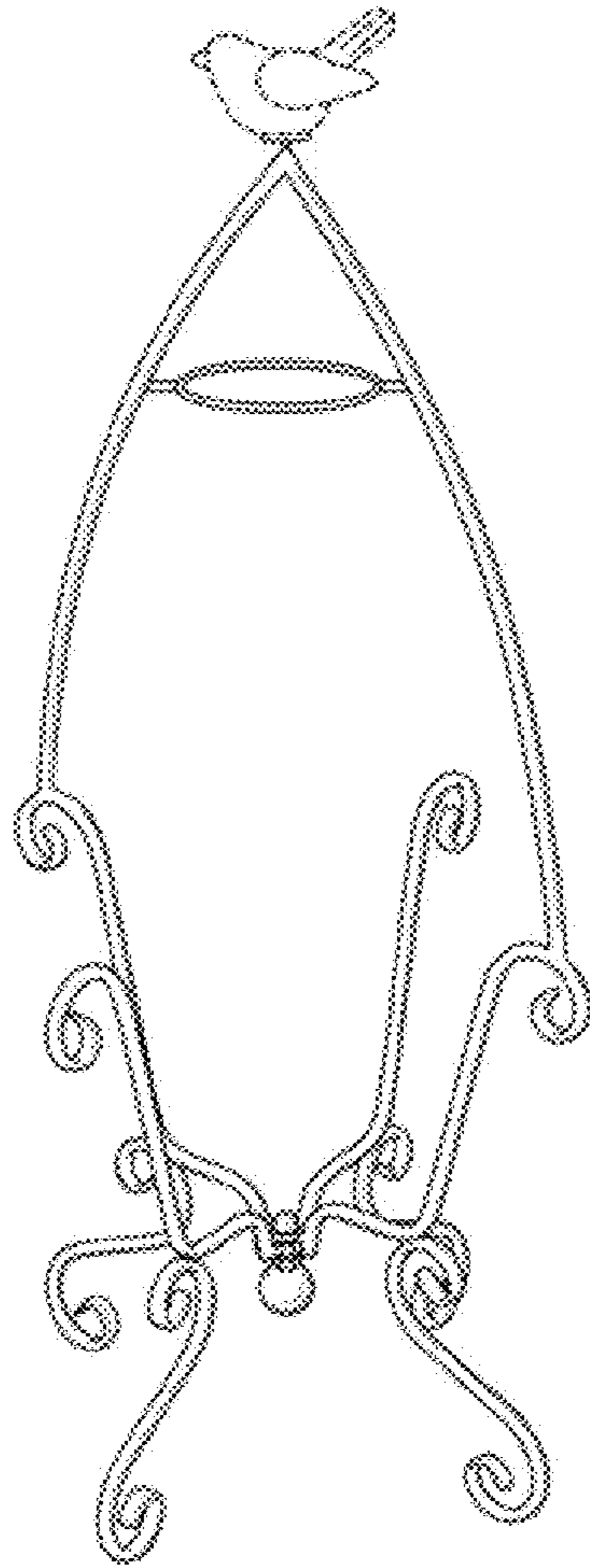


Figure 1

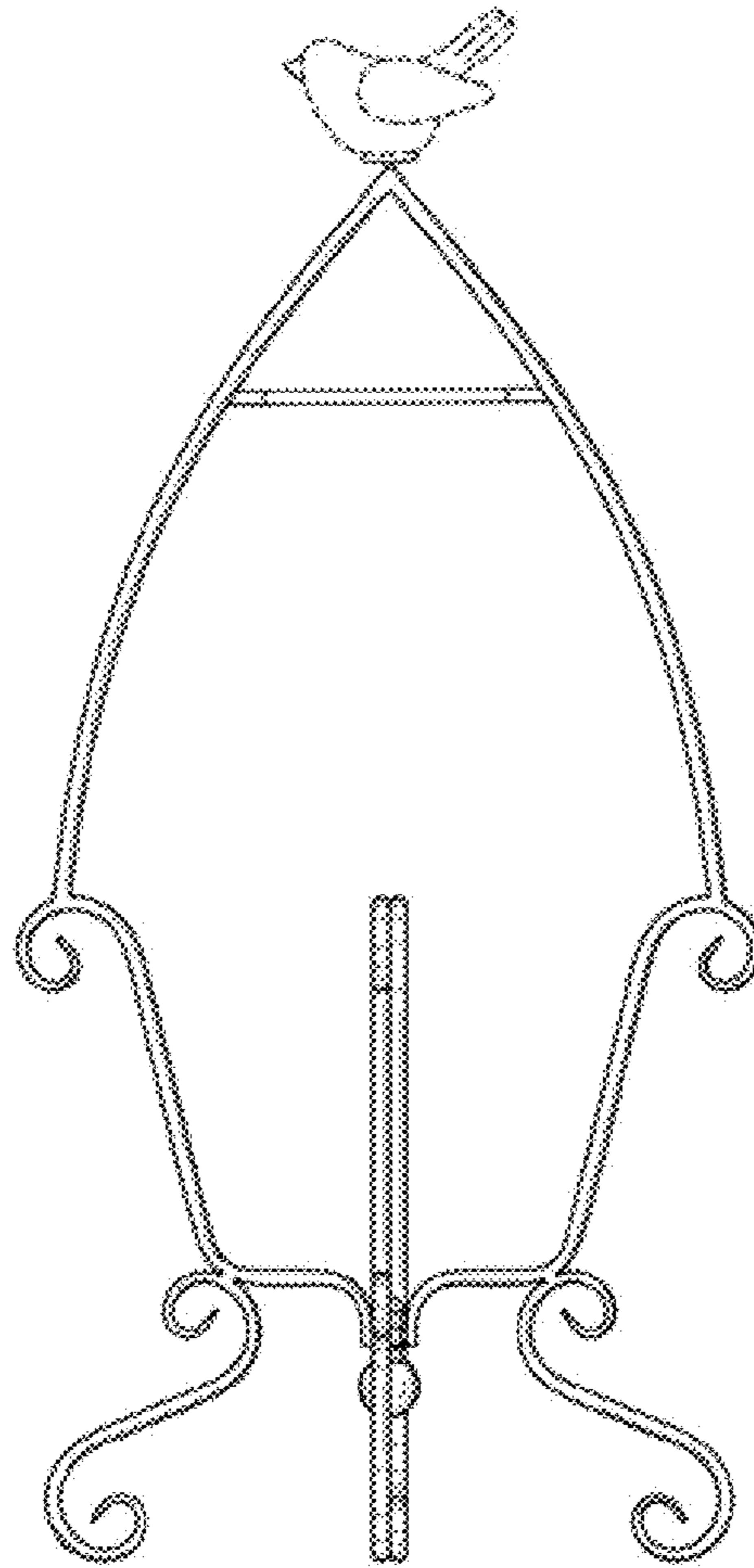


Figure 2

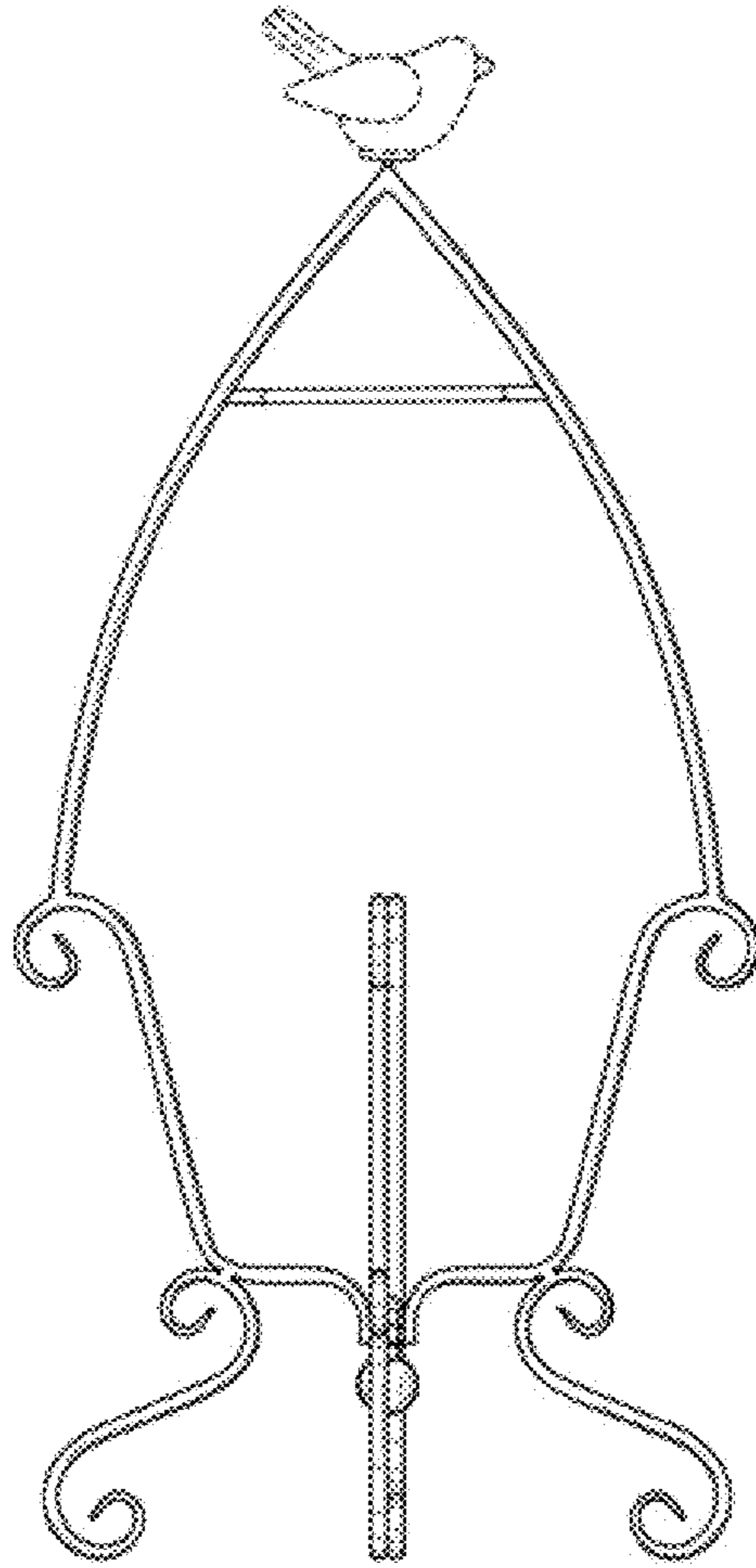


Figure 3

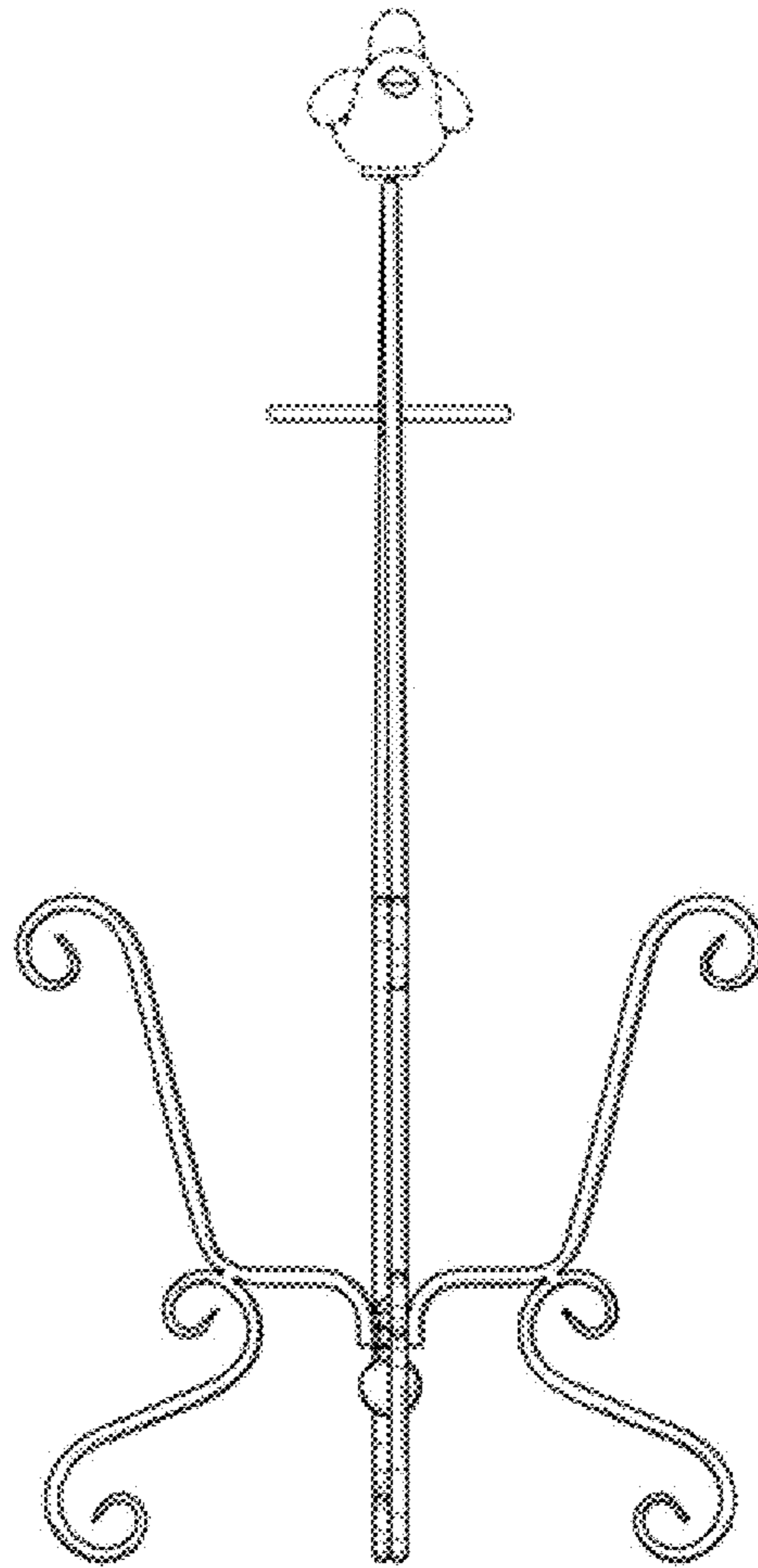


Figure 4

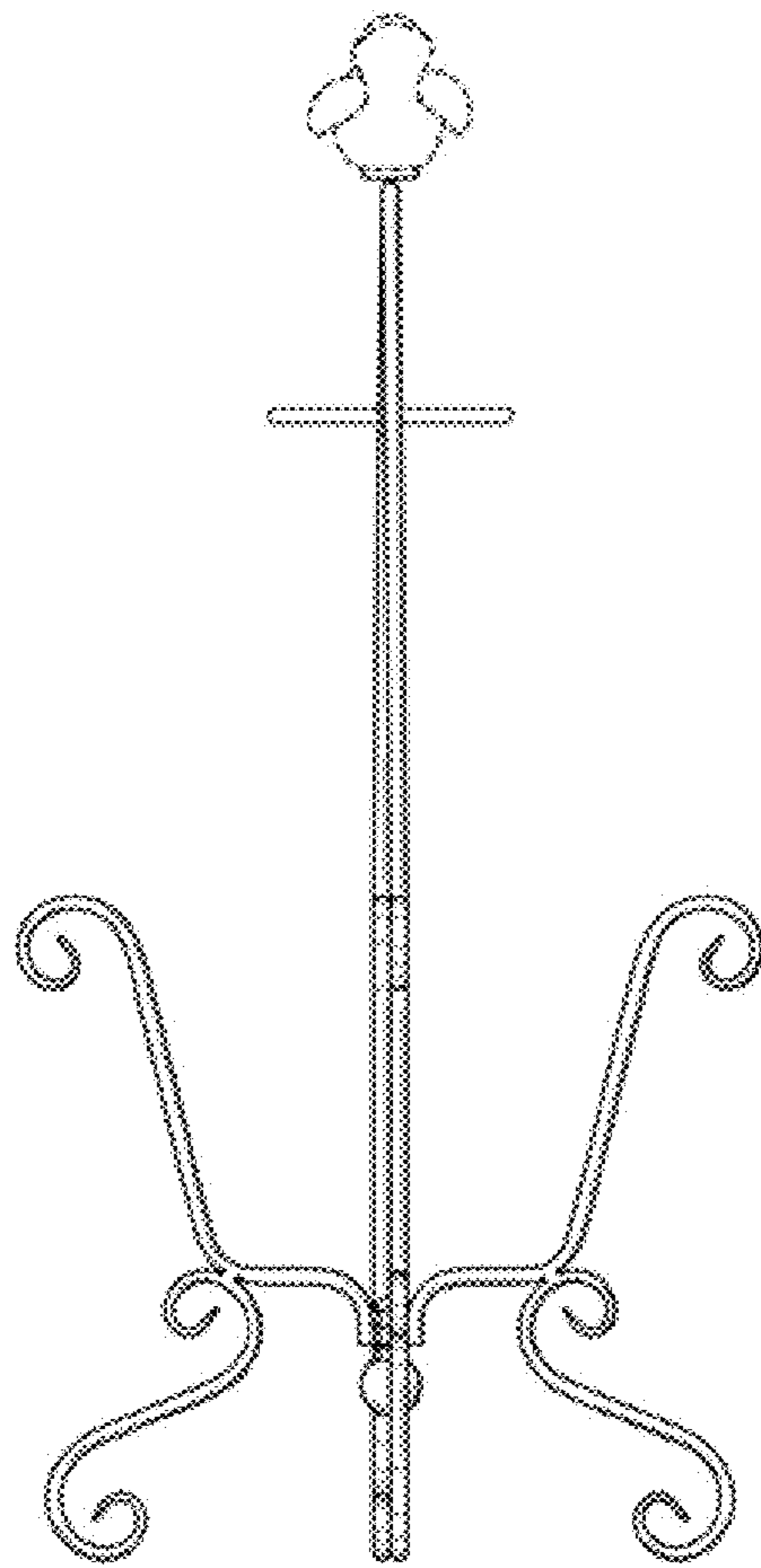


Figure 5



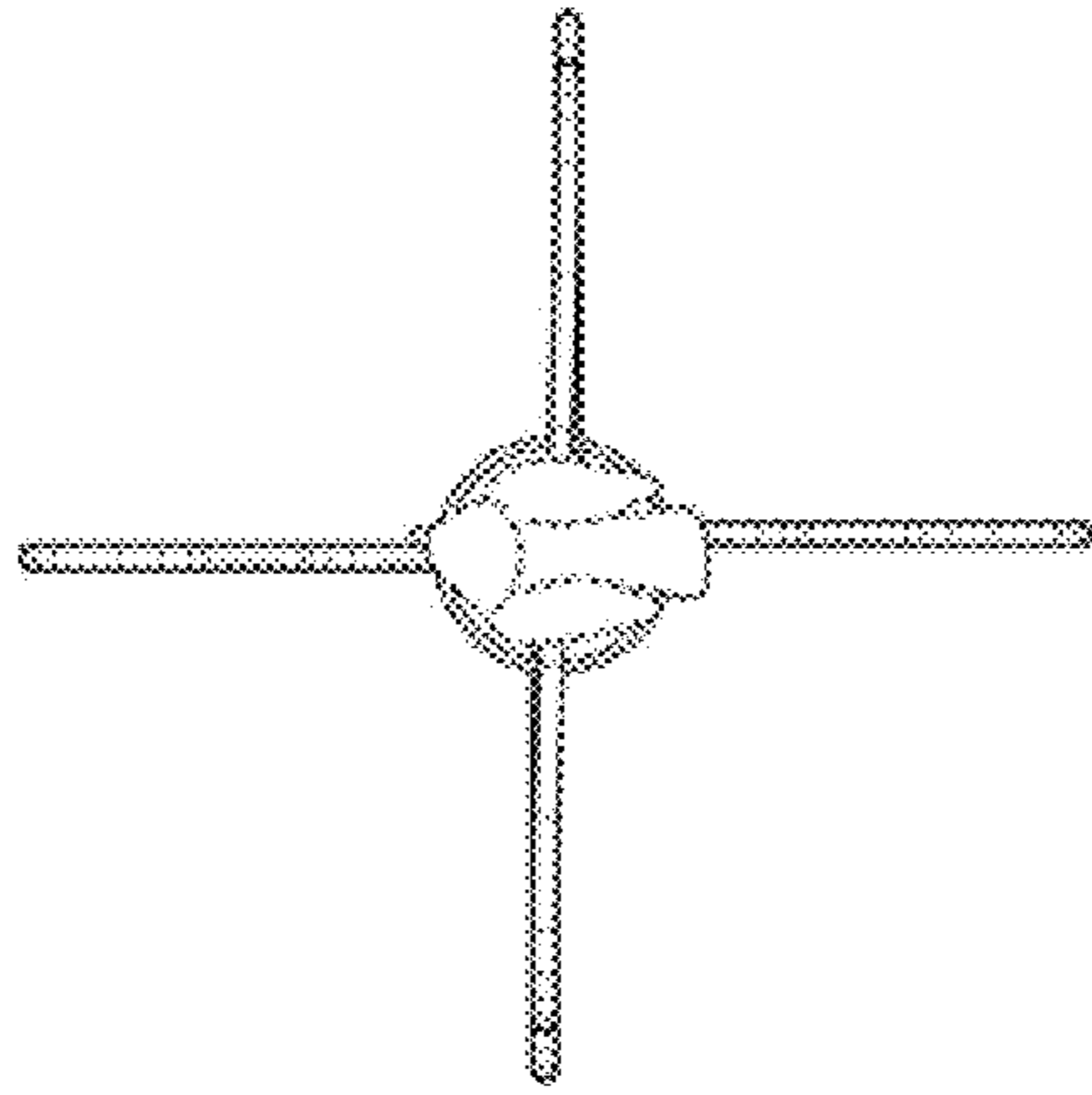


Figure 6

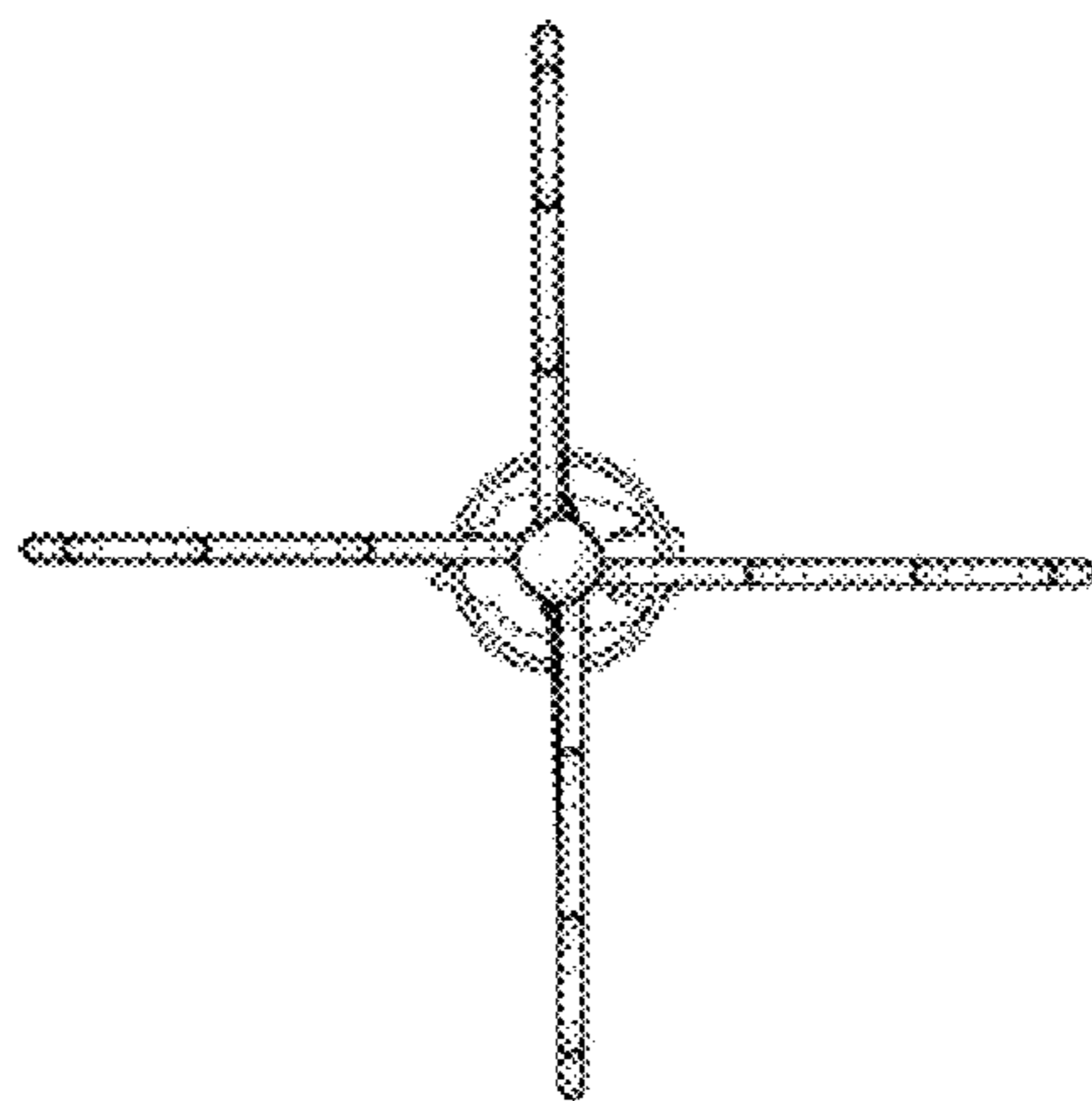


Figure 7