



US00D817657S

(12) **United States Design Patent** (10) **Patent No.:** **US D817,657 S**
Weng (45) **Date of Patent:** **** May 15, 2018**

(54) **HAMMOCK** 7,152,258 B2 * 12/2006 Branch, III A45F 3/24
5/127
(71) Applicant: **Ningbo Mentoriend International** D580,667 S * 11/2008 Lee D6/355
Trading Co., Ltd., Ningbo (CN) 2005/0132492 A1 * 6/2005 Orians A45F 3/22
5/122

(72) Inventor: **Johnson Weng, Ningbo (CN)**
(73) Assignee: **NINGBO MENTORIEND INTERNATIONAL TRADING CO., LTD., Ningbo (CN)**

(**) Term: **15 Years**
(21) Appl. No.: **29/590,338**
(22) Filed: **Jan. 9, 2017**

Related U.S. Application Data

(63) Continuation-in-part of application No. 29/539,587, filed on Sep. 15, 2015.
(51) **LOC (11) Cl.** **06-02**
(52) **U.S. Cl.**
USPC **D6/387**
(58) **Field of Classification Search**
USPC D6/385-387, 718.1, 718.11, 718, 12
CPC A45F 3/22; A45F 3/24; A45F 3/26
See application file for complete search history.

References Cited

U.S. PATENT DOCUMENTS

D36,616 S * 11/1903 Palmer D6/387
2,353,220 A * 7/1944 Charlop A45F 3/24
5/128
5,224,225 A * 7/1993 Singleton, Jr. A45F 3/24
5/127
D443,431 S * 6/2001 Tseng D6/387
D489,919 S * 5/2004 Tseng D6/387

OTHER PUBLICATIONS

Algoma 3-Point Hammock, angelfire.com, internet archive date of 2011, site visited Oct. 30, 2017, available online at <https://web.archive.org/web/20110112204452/http://www.angelfire.com/super/hammock> . . . (Year: 2011).*
Guanfeng Y-shaped hammock stand, happyswingworld.com, (c) 2016-2017, site visited Oct. 30, 2017, available online at <http://www.happyswingworld.com/sale-9092819-y-shaped-steel-hammock-stand.html> (Year: 2016).*

* cited by examiner

Primary Examiner — Cathron C Brooks
(74) *Attorney, Agent, or Firm* — Matthias Scholl, PC; Matthias Scholl

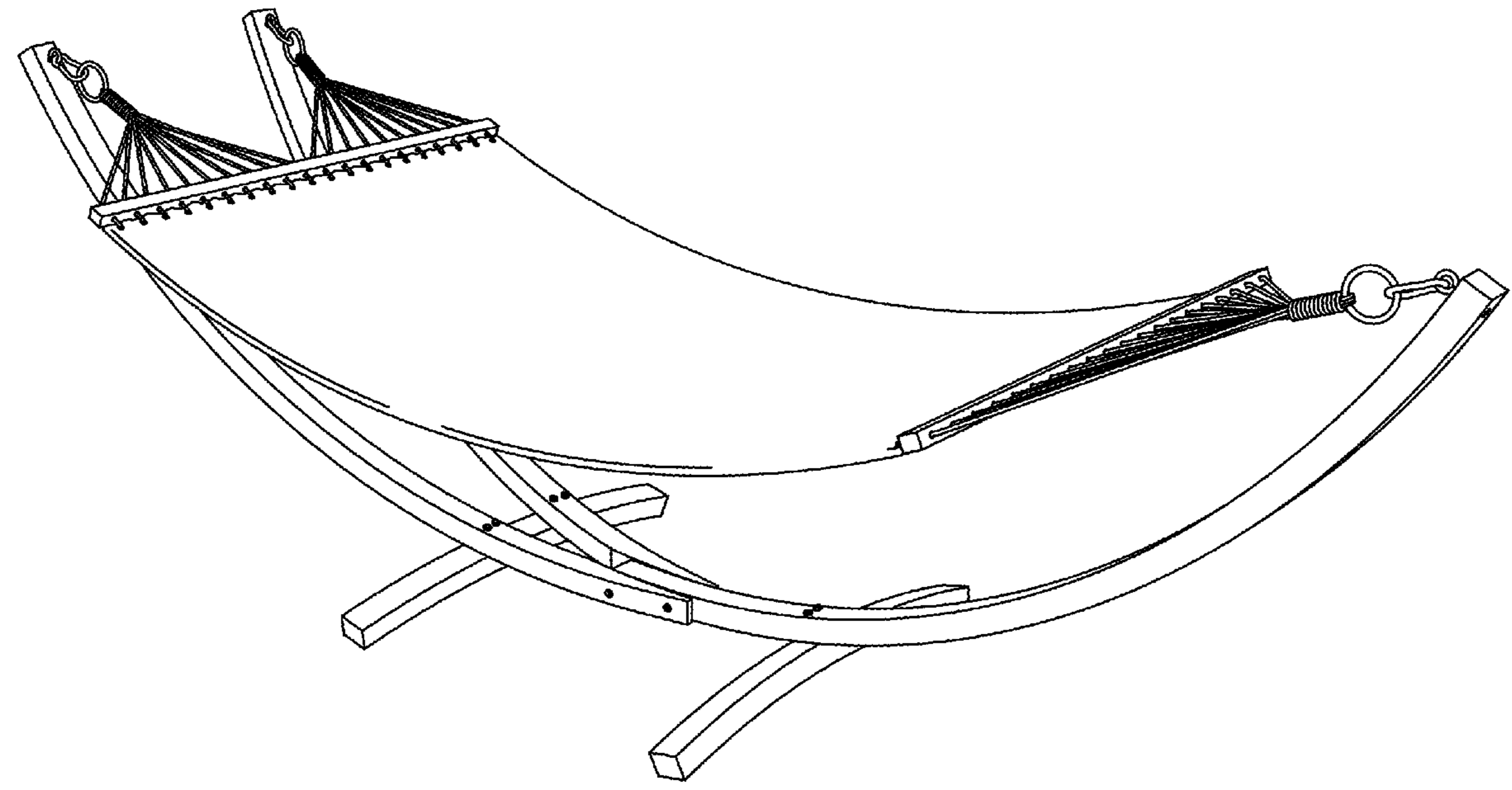
CLAIM

(57) The ornamental design for a hammock, as shown and described.

DESCRIPTION

FIG. 1 is a front elevational view of a hammock;
FIG. 2 is a rear elevational view thereof;
FIG. 3 is a left side elevational view thereof;
FIG. 4 is a right side elevational view thereof;
FIG. 5 is a top plan view thereof;
FIG. 6 is a bottom plan view thereof; and,
FIG. 7 is a perspective view thereof.

1 Claim, 7 Drawing Sheets



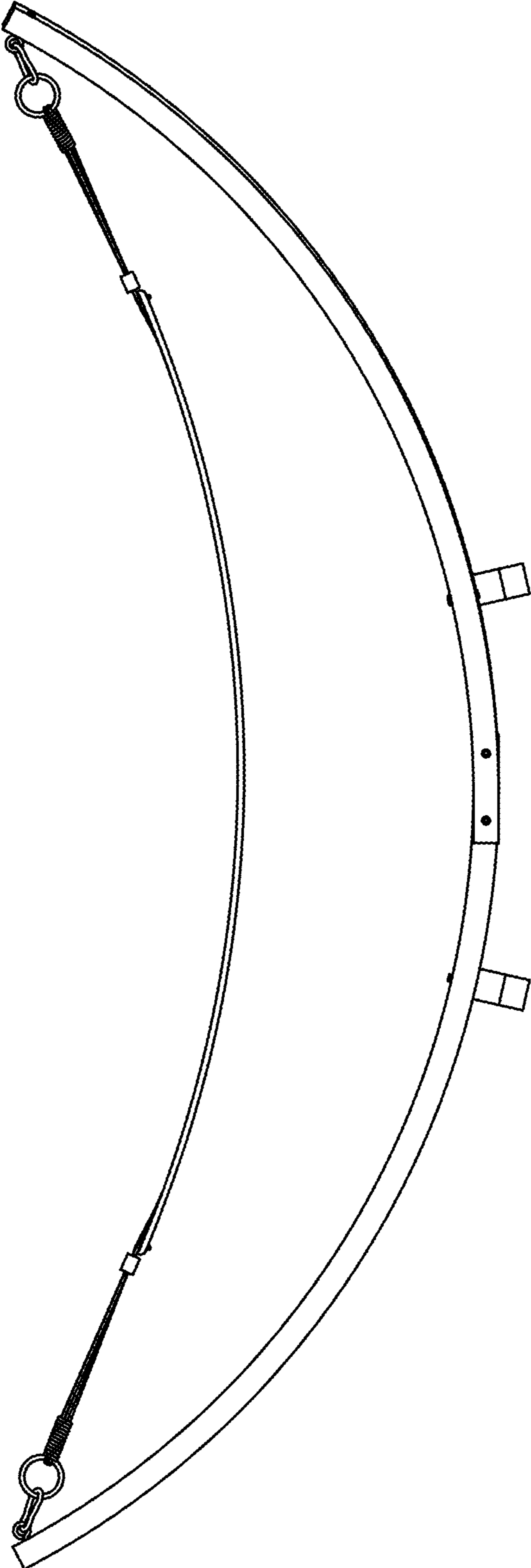


FIG. 1

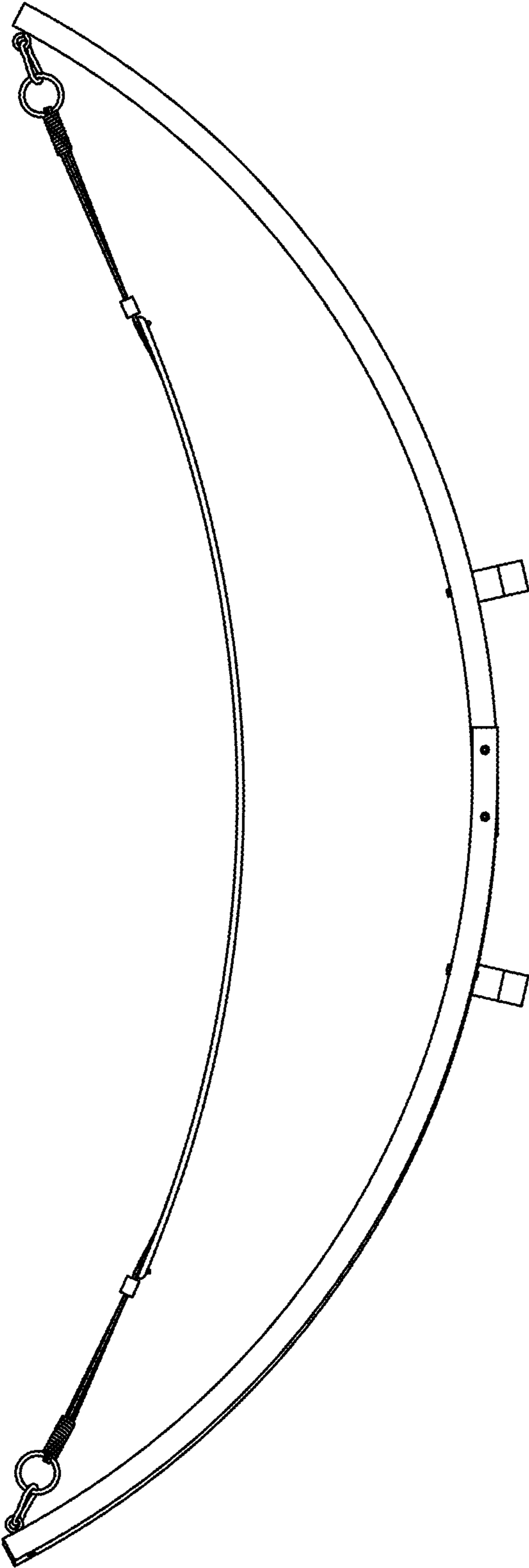


FIG. 2

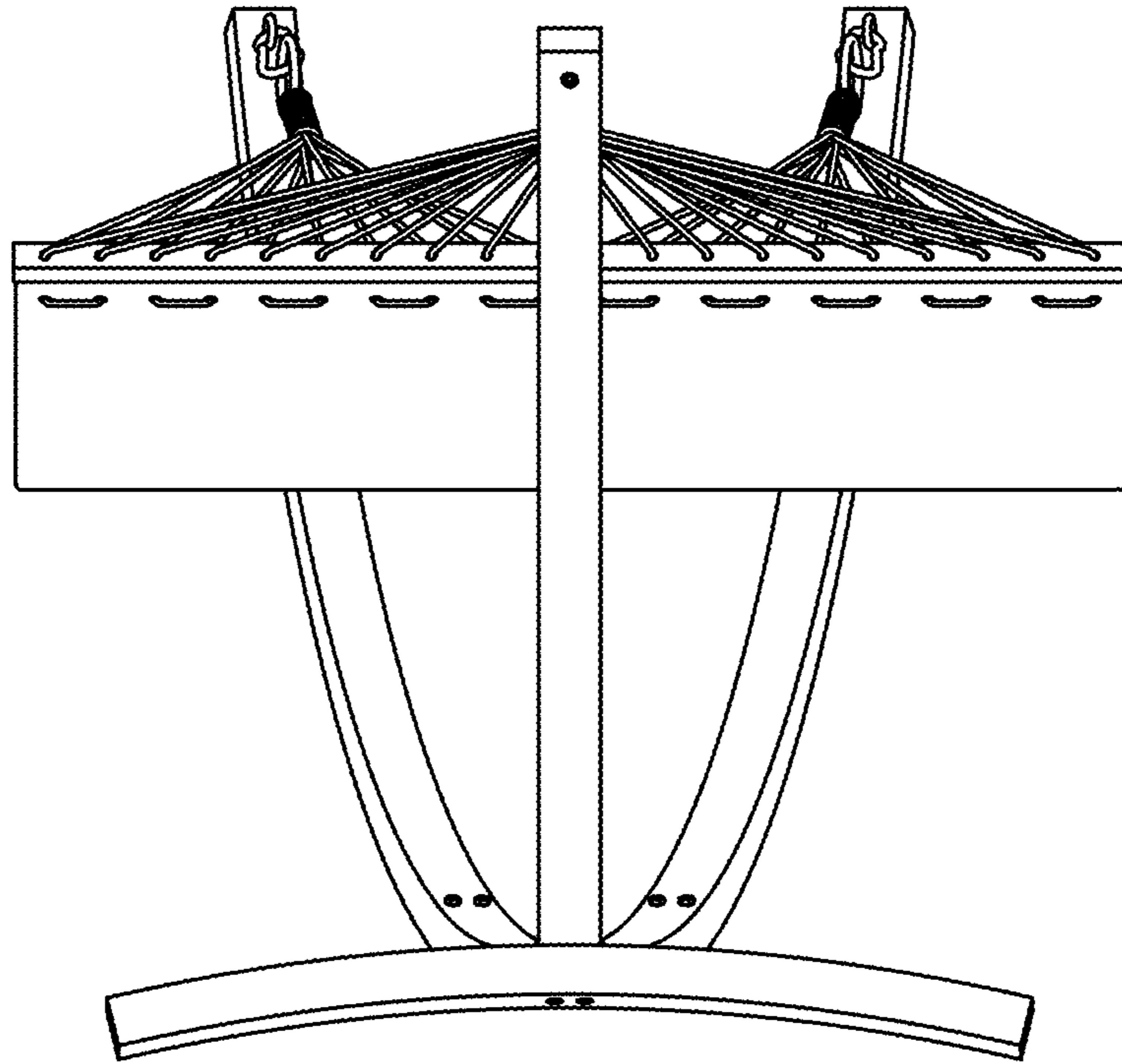


FIG. 3

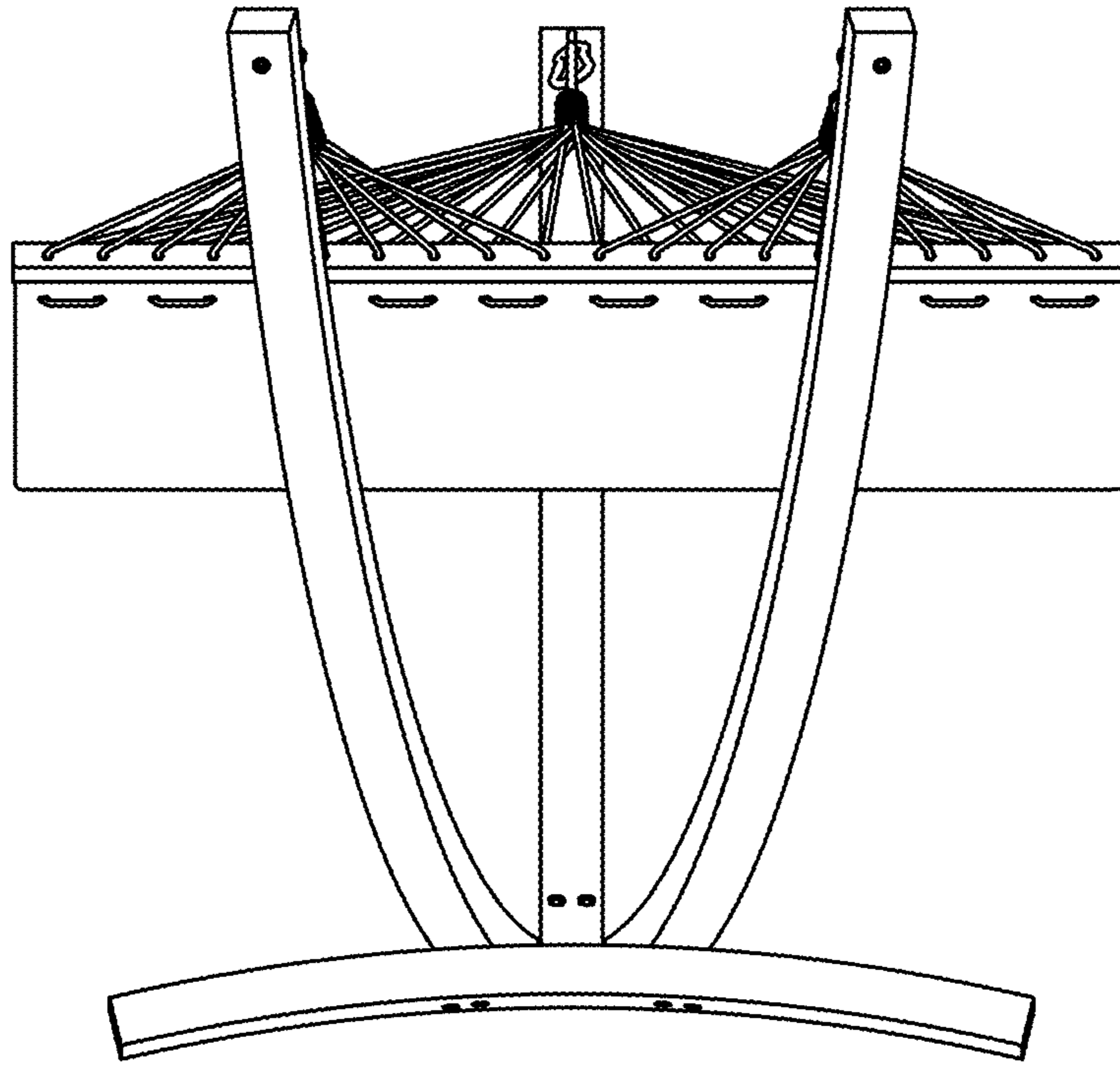


FIG. 4

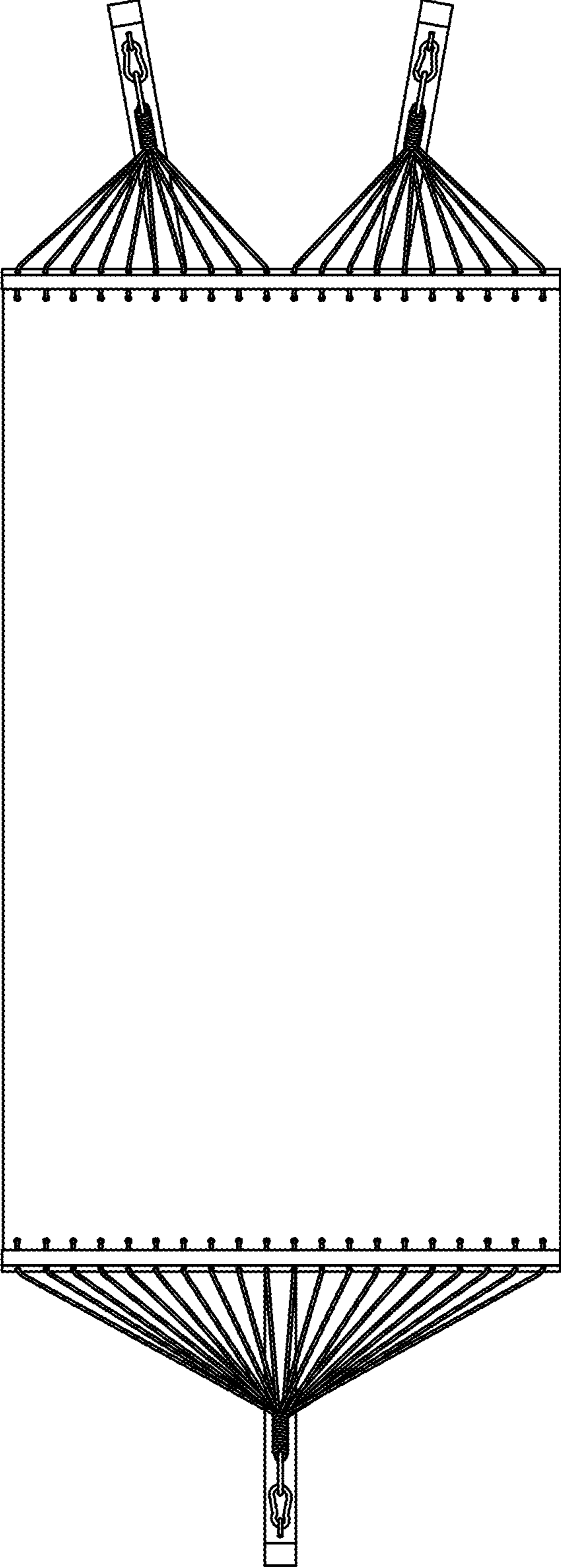


FIG. 5

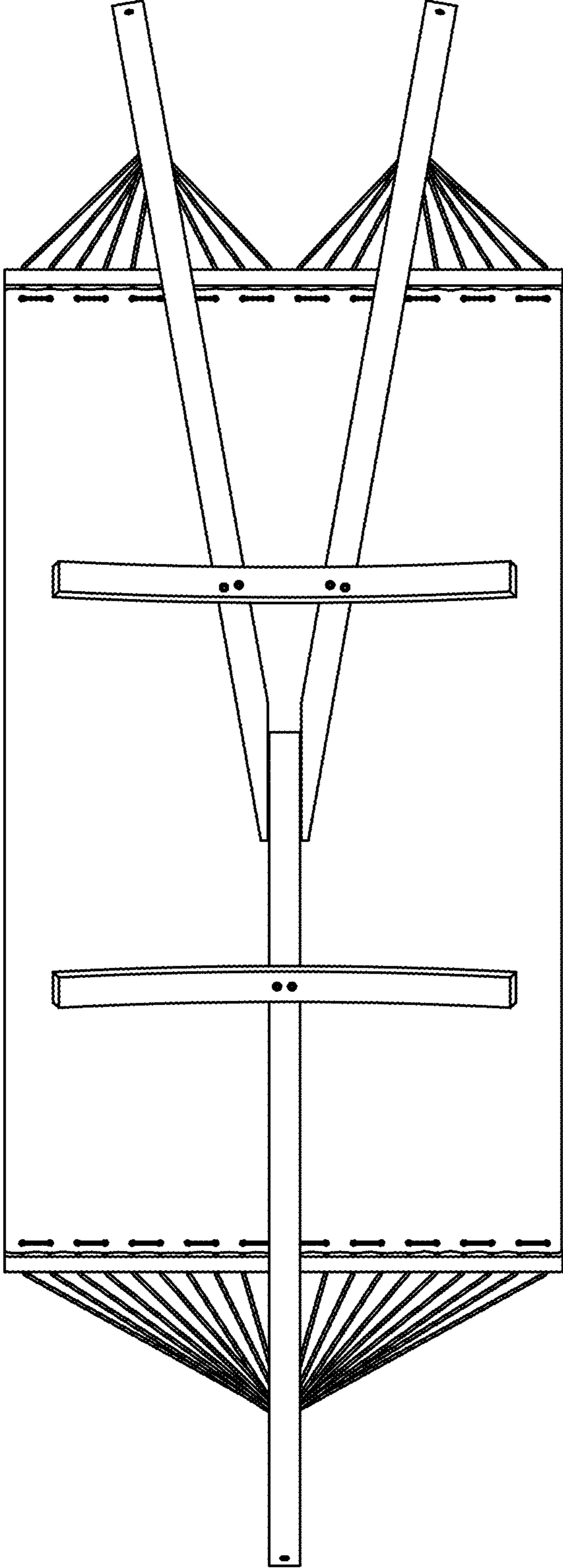


FIG. 6

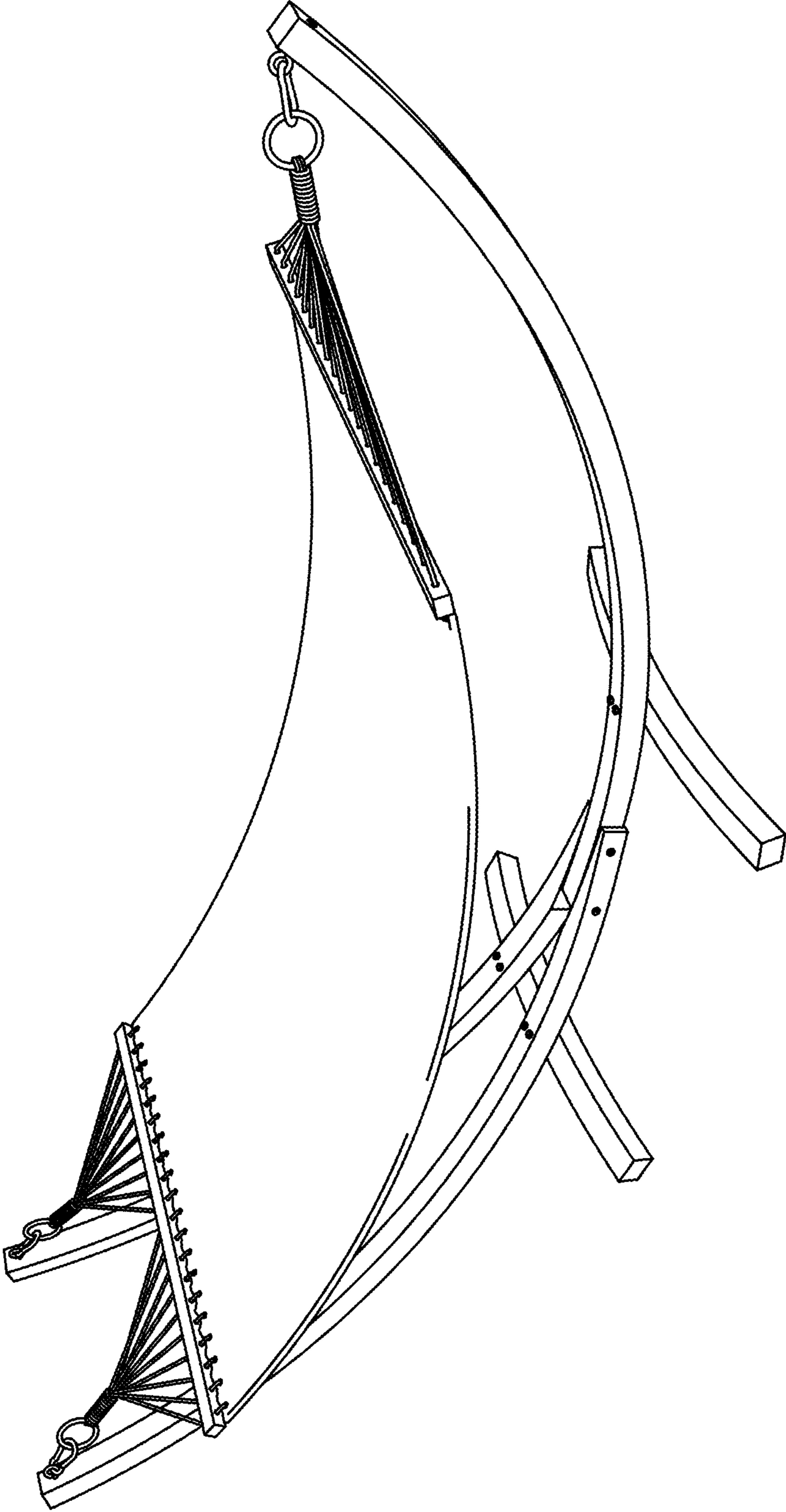


FIG. 7