



US00D817656S

(12) **United States Design Patent**
Newson

(10) **Patent No.:** **US D817,656 S**

(45) **Date of Patent:** **** May 15, 2018**

(54) **CHAIR**

(71) Applicant: **Knoll, Inc.**, East Greenville, PA (US)

(72) Inventor: **Marc Newson**, London (GB)

(73) Assignee: **Knoll, Inc.**, East Greenville, PA (US)

(**) Term: **15 Years**

(21) Appl. No.: **29/601,909**

(22) Filed: **Apr. 27, 2017**

(51) **LOC (11) Cl.** **06-01**

(52) **U.S. Cl.**

USPC **D6/373**

(58) **Field of Classification Search**

USPC D6/334-336, 371, 372, 373, 374, 376,
D6/379, 380, 716, 716.1, 716.2, 716.4

CPC A47C 3/04; A47C 4/02; A47C 4/03; A47C
4/08; A47C 4/024; A47C 4/025; A47C
4/027; A47C 7/16; A47C 7/54

See application file for complete search history.

(56) **References Cited**

U.S. PATENT DOCUMENTS

D90,912 S *	10/1933	Goodman	D6/373
D133,438 S *	8/1942	Mueller	D6/373
D149,982 S *	6/1948	Sundberg	D6/373
D157,447 S *	2/1950	Smith	D6/373
D248,432 S *	7/1978	Petersen	D6/373
D318,959 S *	8/1991	Fink	D6/373
D367,185 S *	2/1996	Olson	D6/380
D433,578 S *	11/2000	Saul	D6/374
D620,273 S *	7/2010	Brooks	D6/373

D655,102 S *	3/2012	Yetman	D6/373
D731,806 S *	6/2015	Olano Jauregui	D6/373
D802,321 S *	11/2017	Martinez	D6/373

* cited by examiner

Primary Examiner — Mimoso De

(74) *Attorney, Agent, or Firm* — Buchanan Ingersoll & Rooney PC

(57) **CLAIM**

The ornamental design for a chair, as shown and described.

DESCRIPTION

FIG. 1 is a perspective view of a chair showing my new design;

FIG. 2 is a front elevational view thereof;

FIG. 3 is a rear elevational view thereof;

FIG. 4 is a top plan view thereof;

FIG. 5 is a bottom plan view thereof;

FIG. 6 is a right side elevational view thereof;

FIG. 7 is a left side elevational view thereof;

FIG. 8 is a perspective view of an alternate embodiment showing my new design;

FIG. 9 is a front elevational view thereof;

FIG. 10 is a rear elevational view thereof;

FIG. 11 is a top plan view thereof;

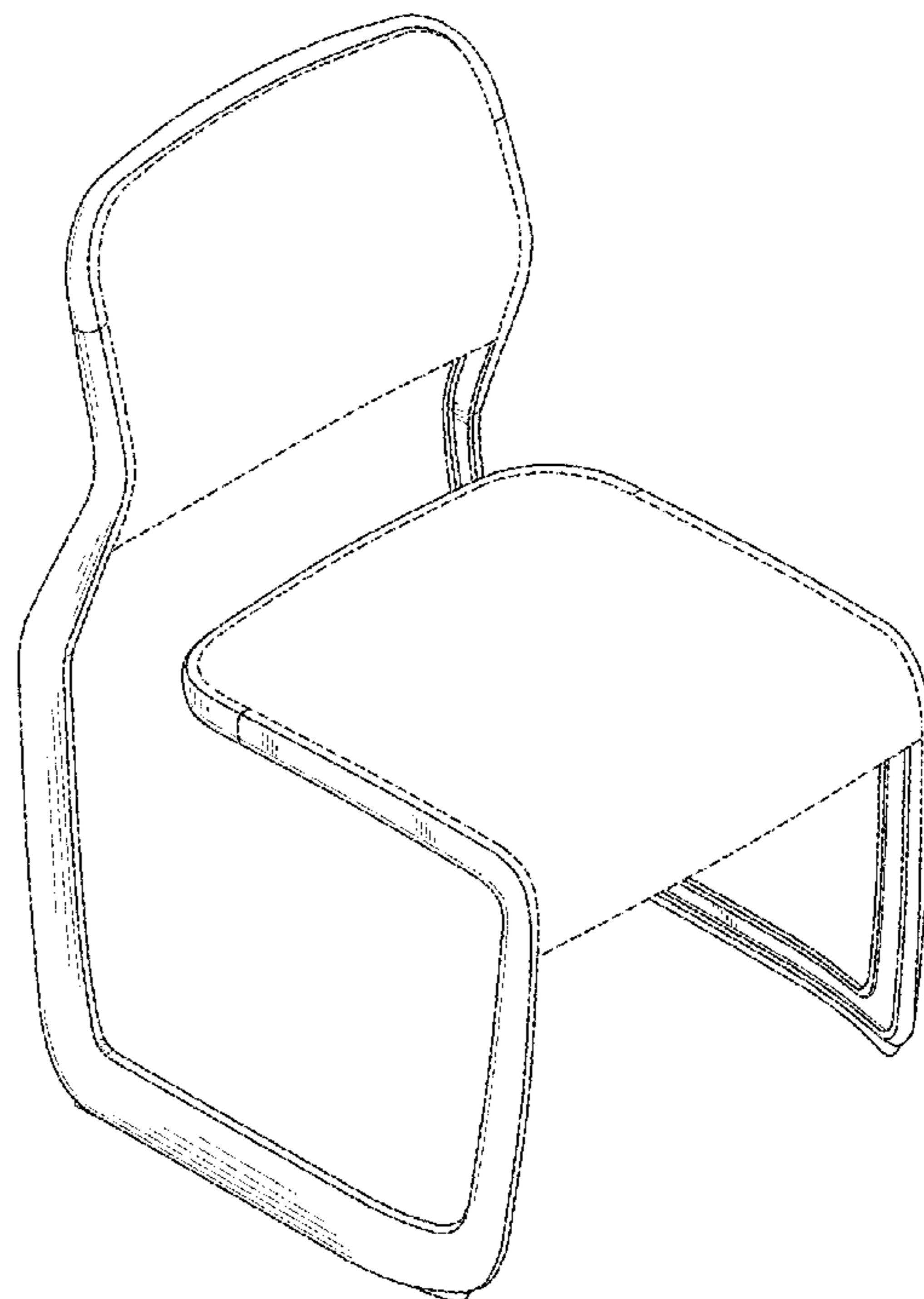
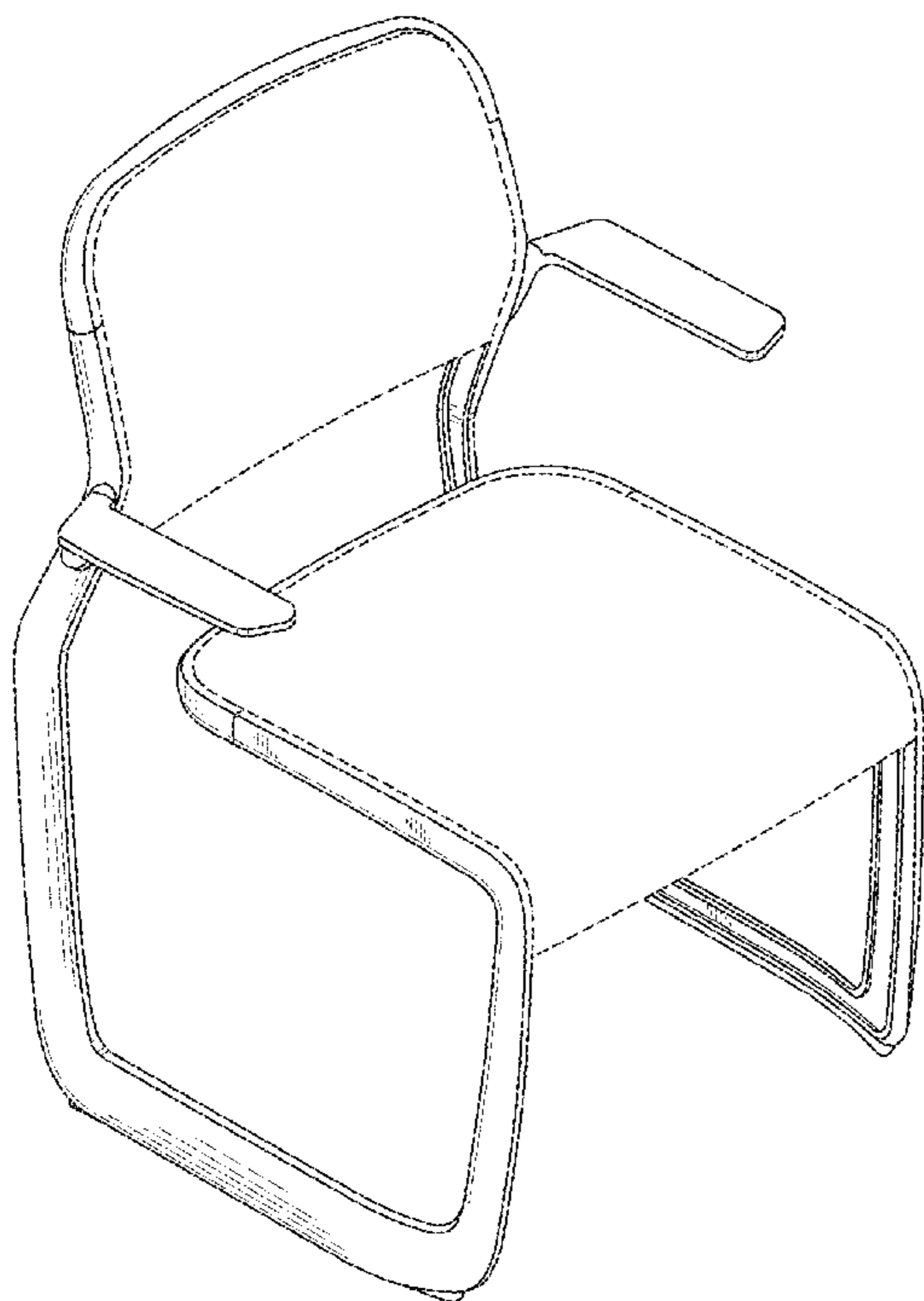
FIG. 12 is a bottom plan view thereof;

FIG. 13 is a right side elevational view thereof; and,

FIG. 14 is a left side elevational view thereof.

The phantom lines shown in the drawings form no part of the claimed design.

1 Claim, 8 Drawing Sheets



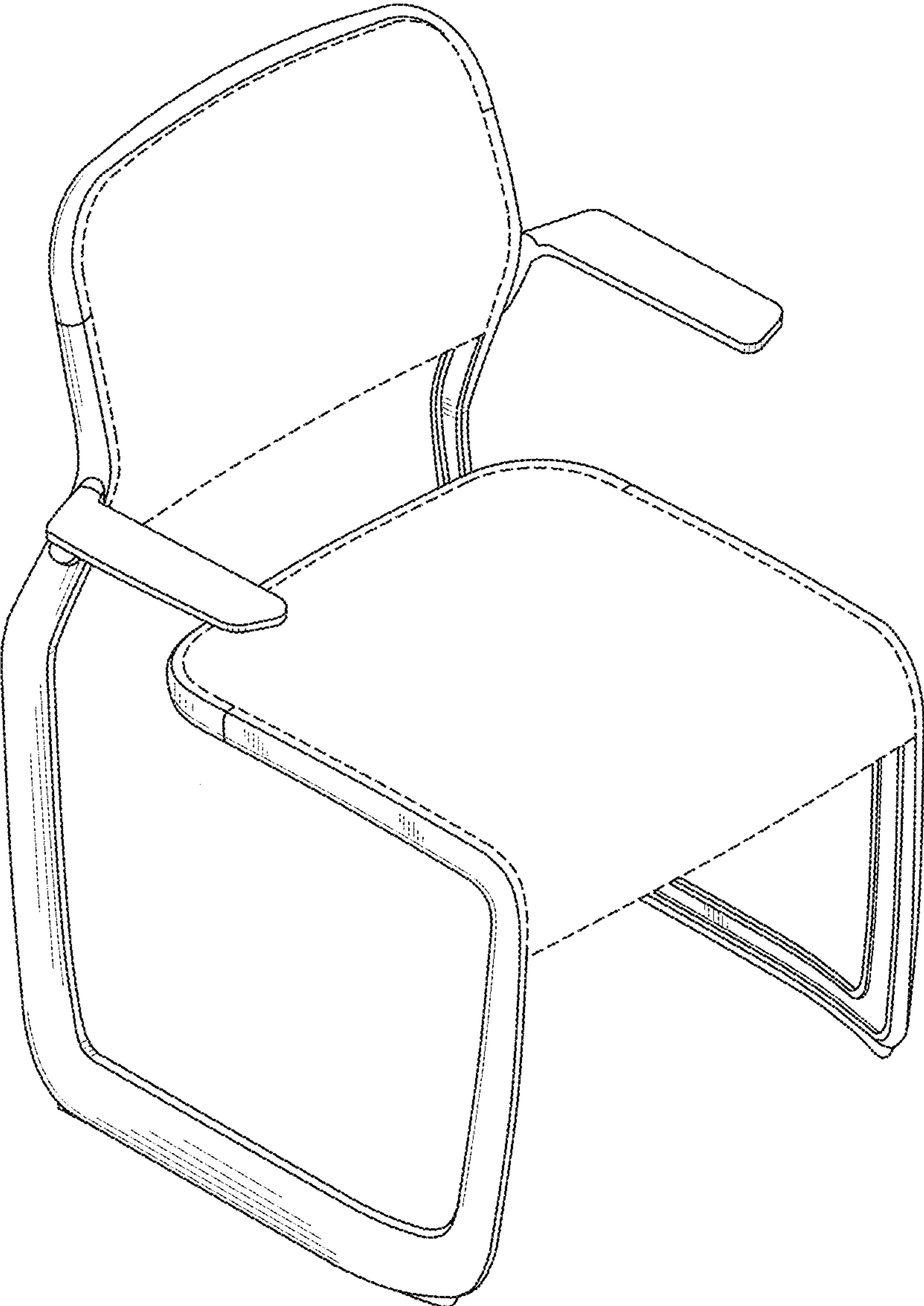


FIG. 1

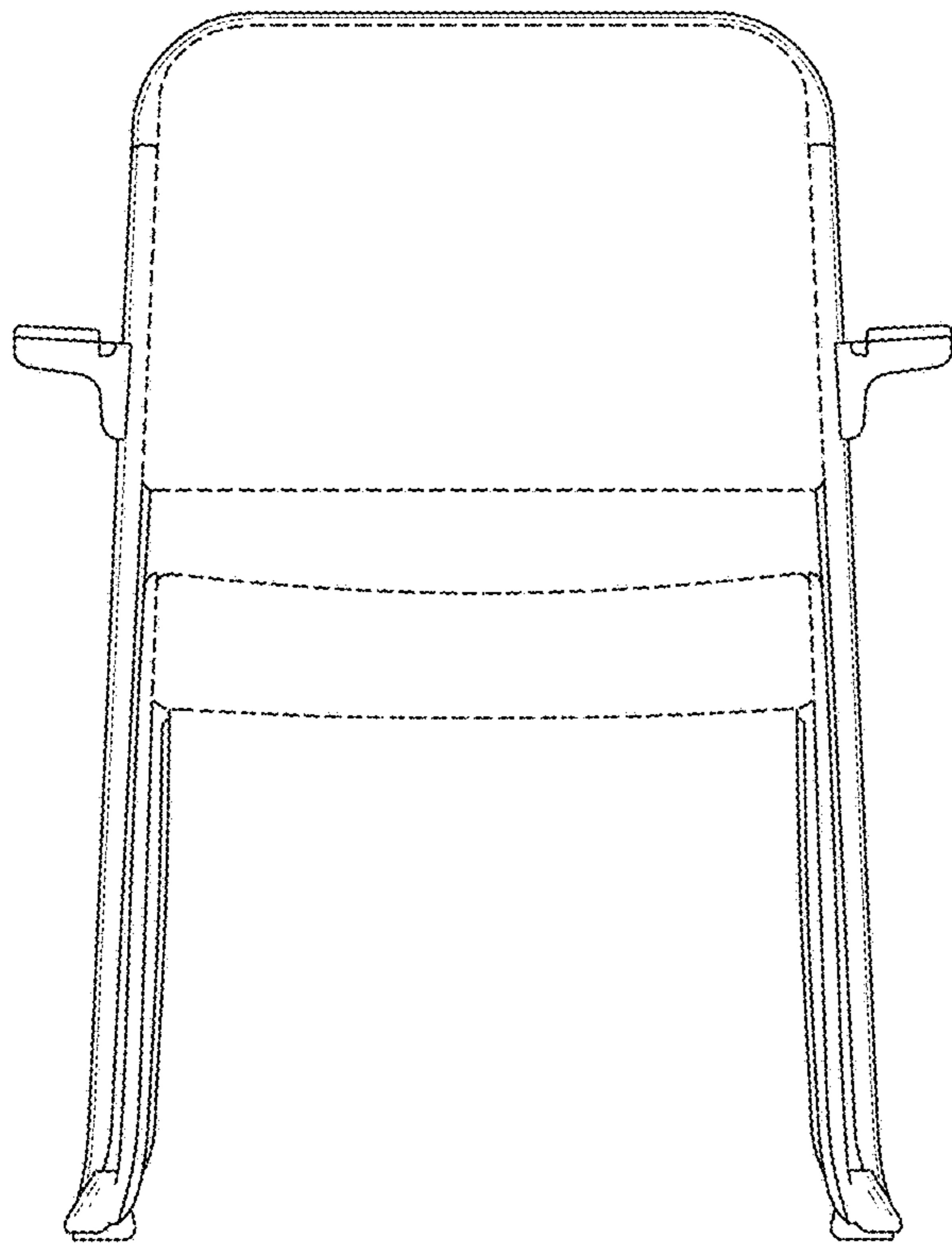


FIG. 2

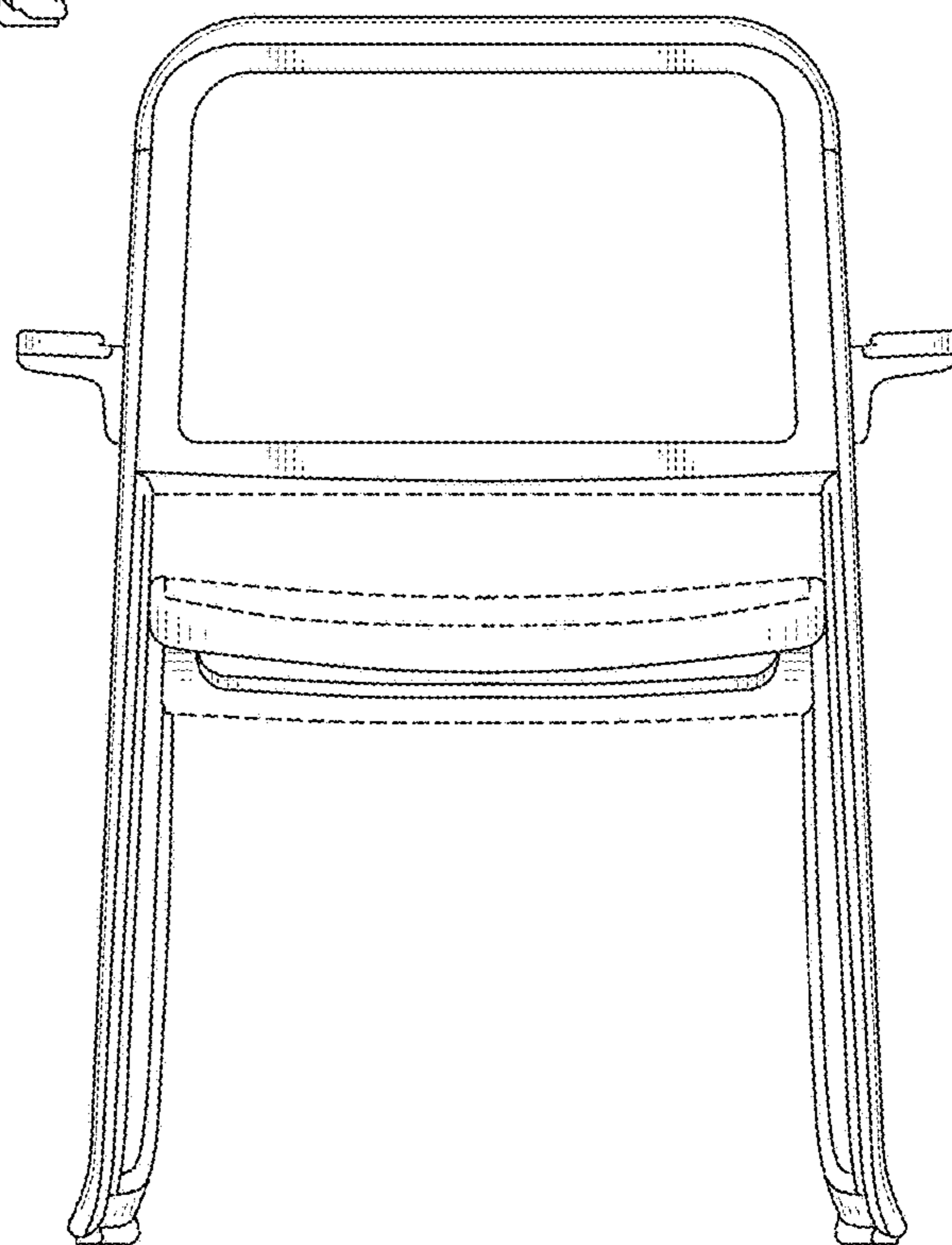


FIG. 3

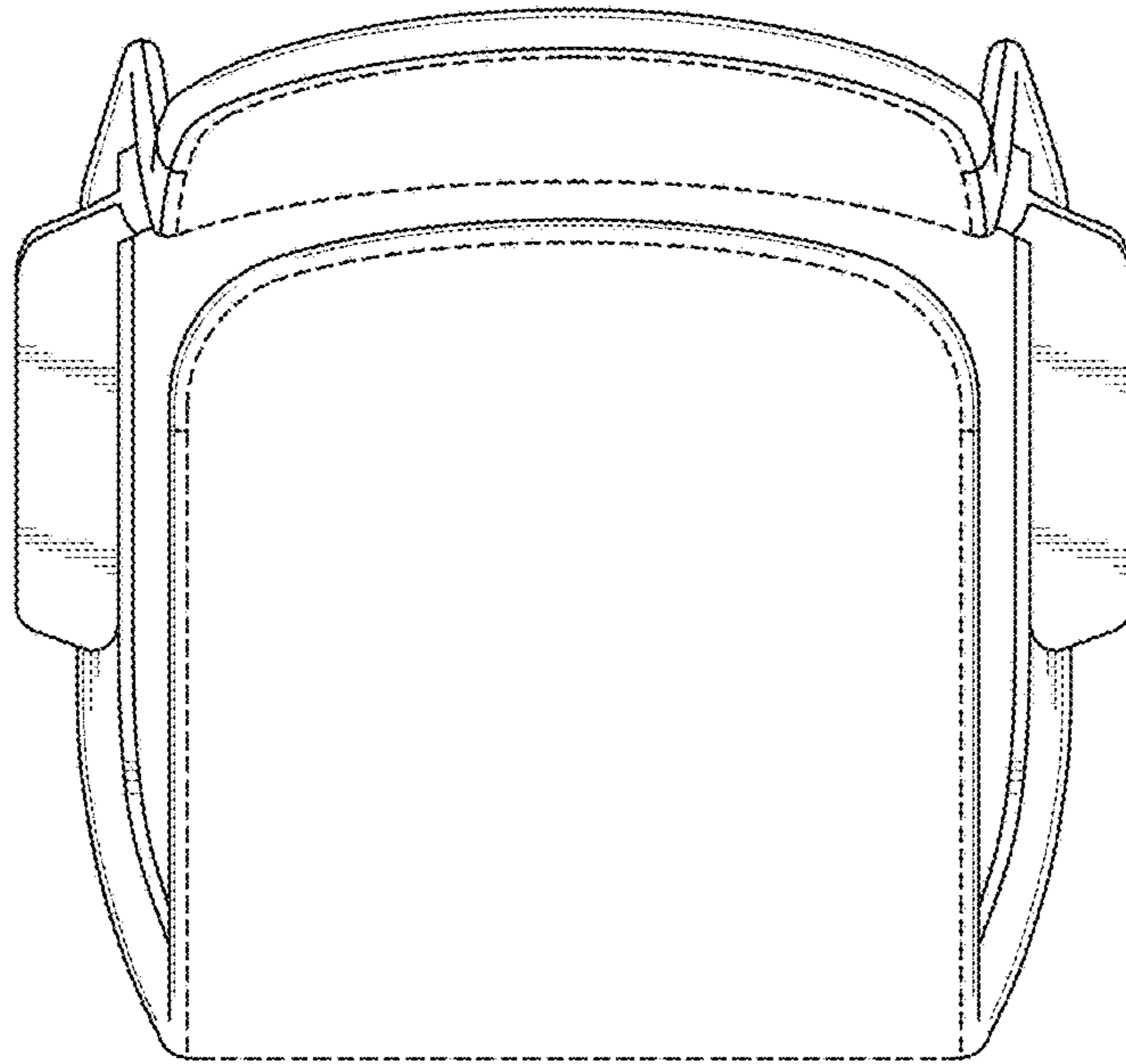


FIG. 4

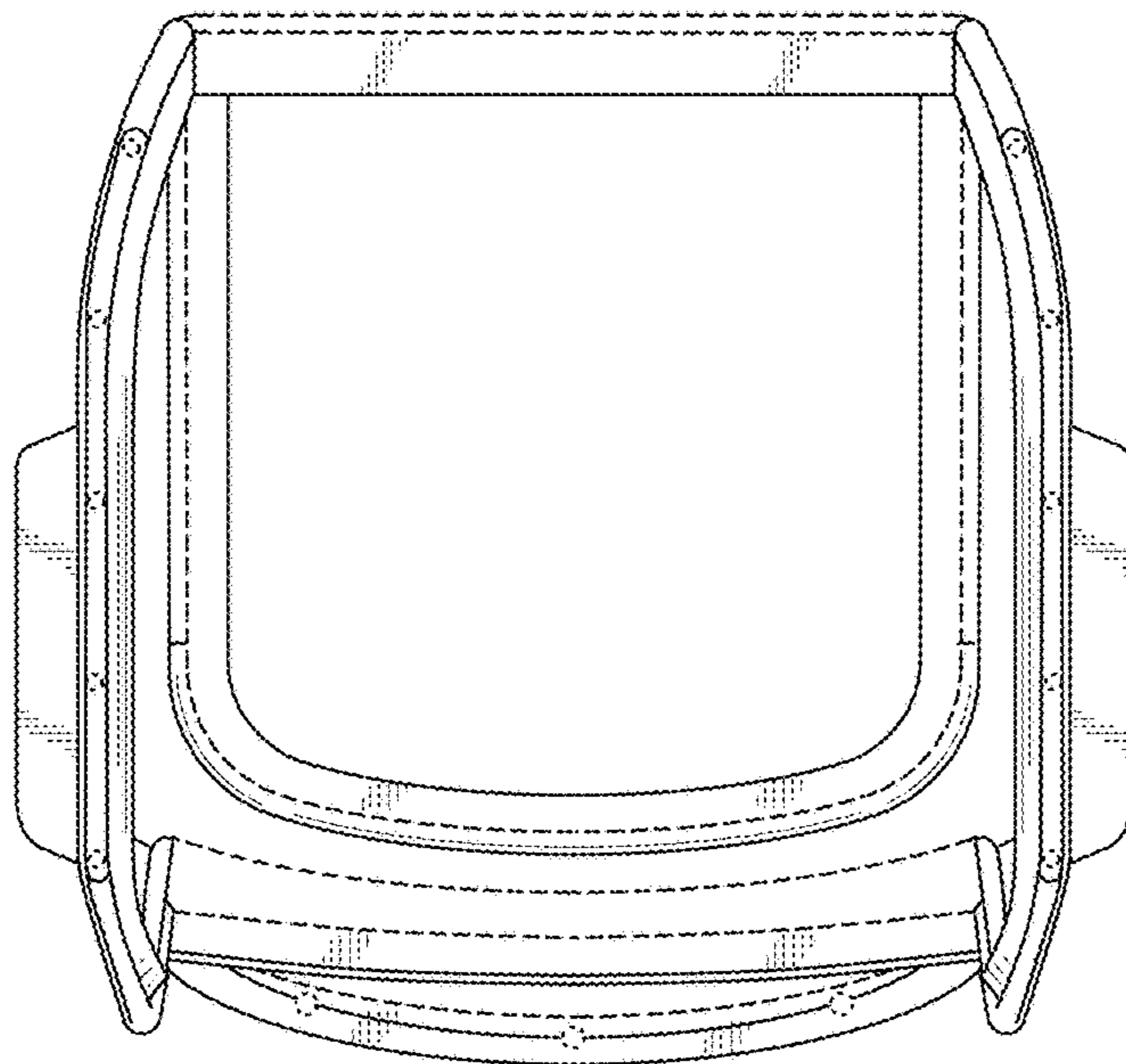


FIG. 5

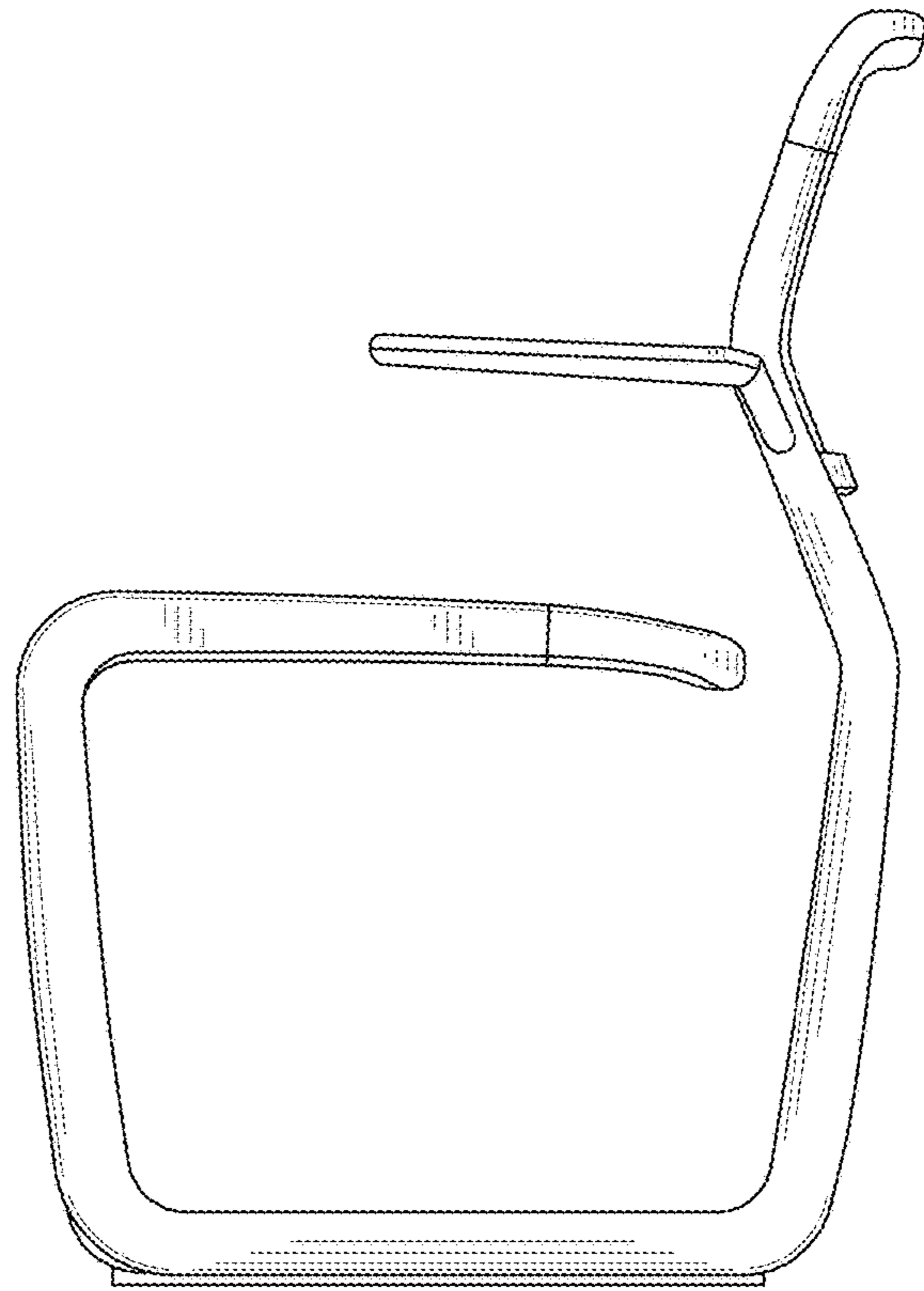


FIG. 6

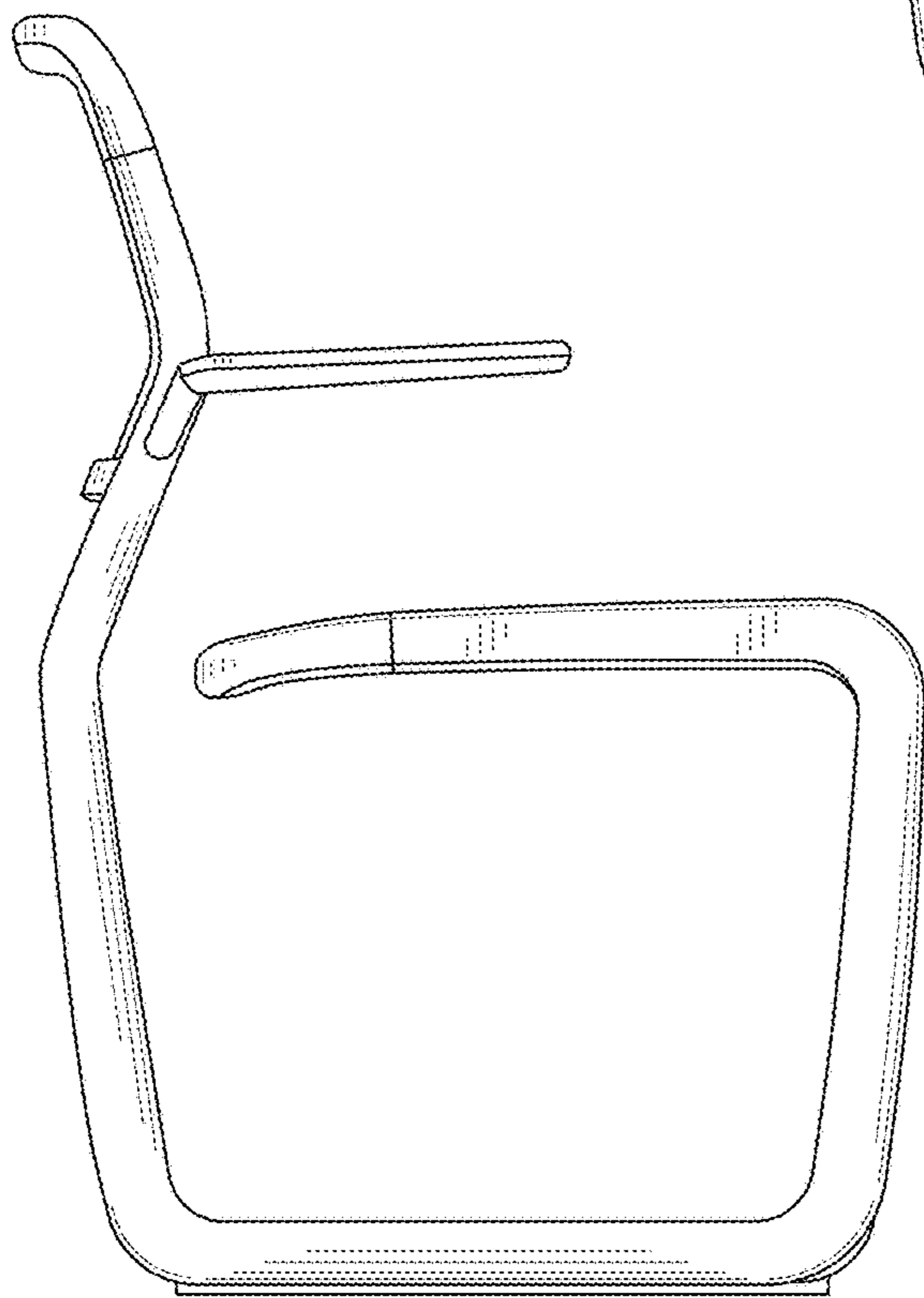


FIG. 7

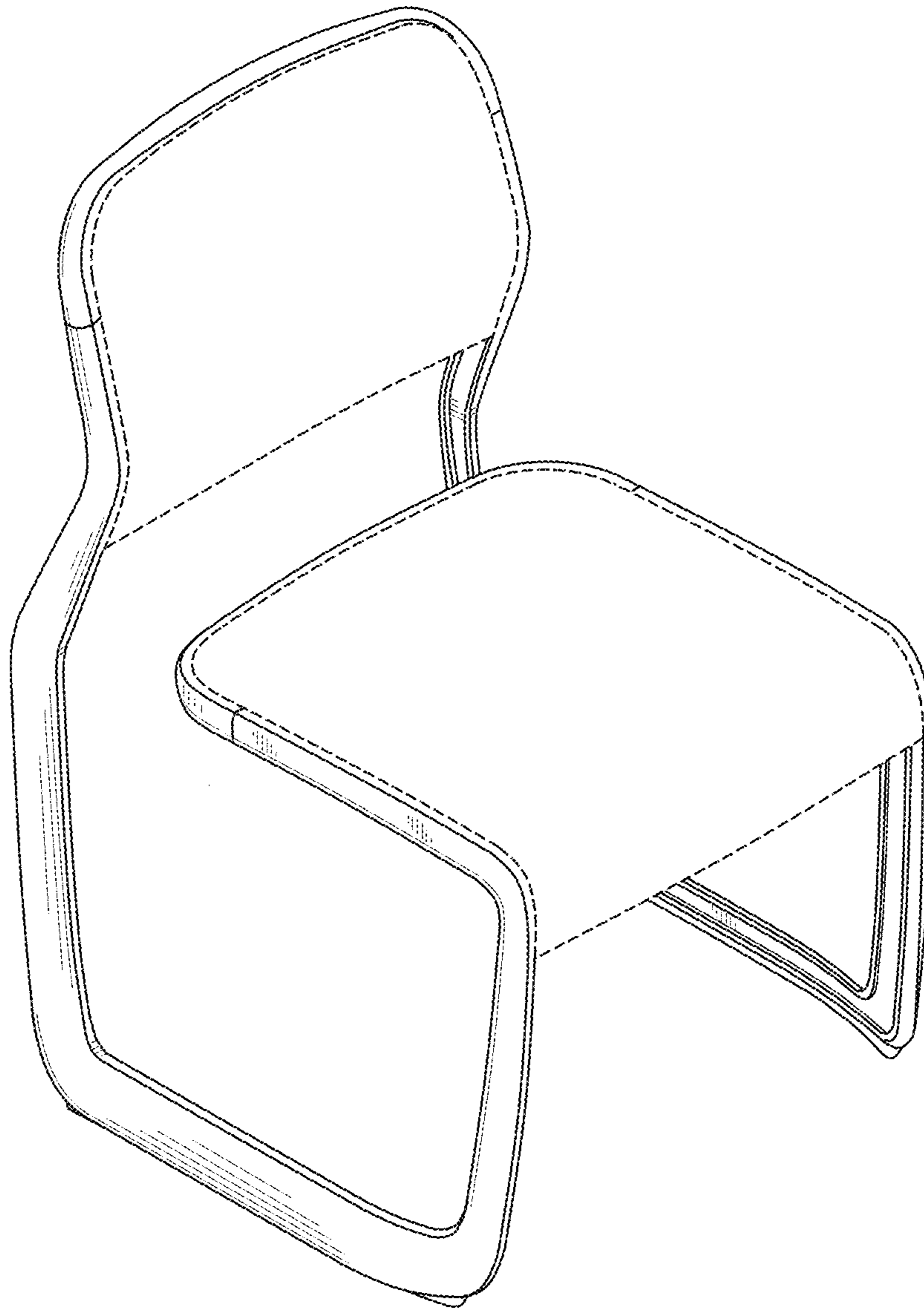


FIG. 8

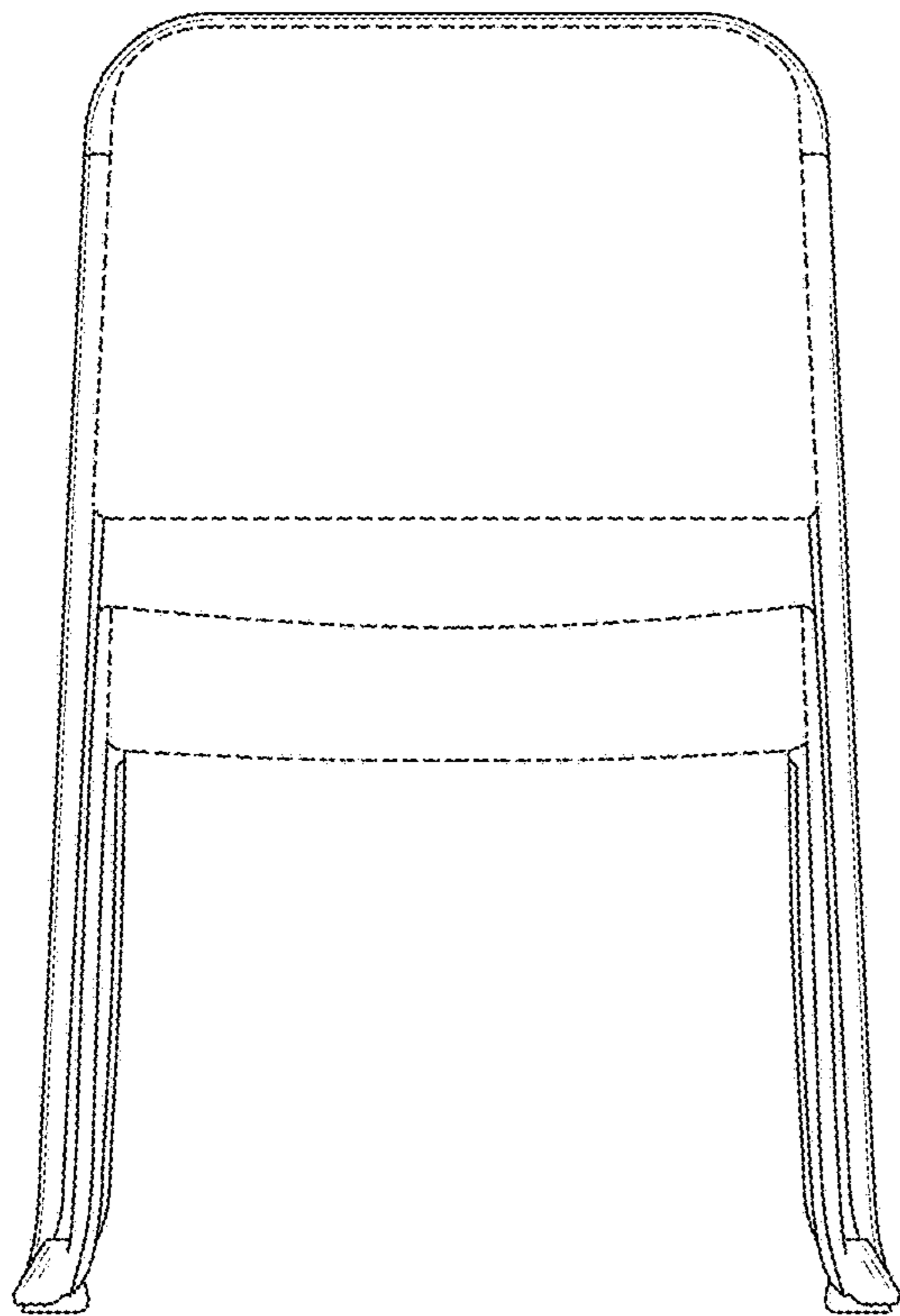


FIG. 9

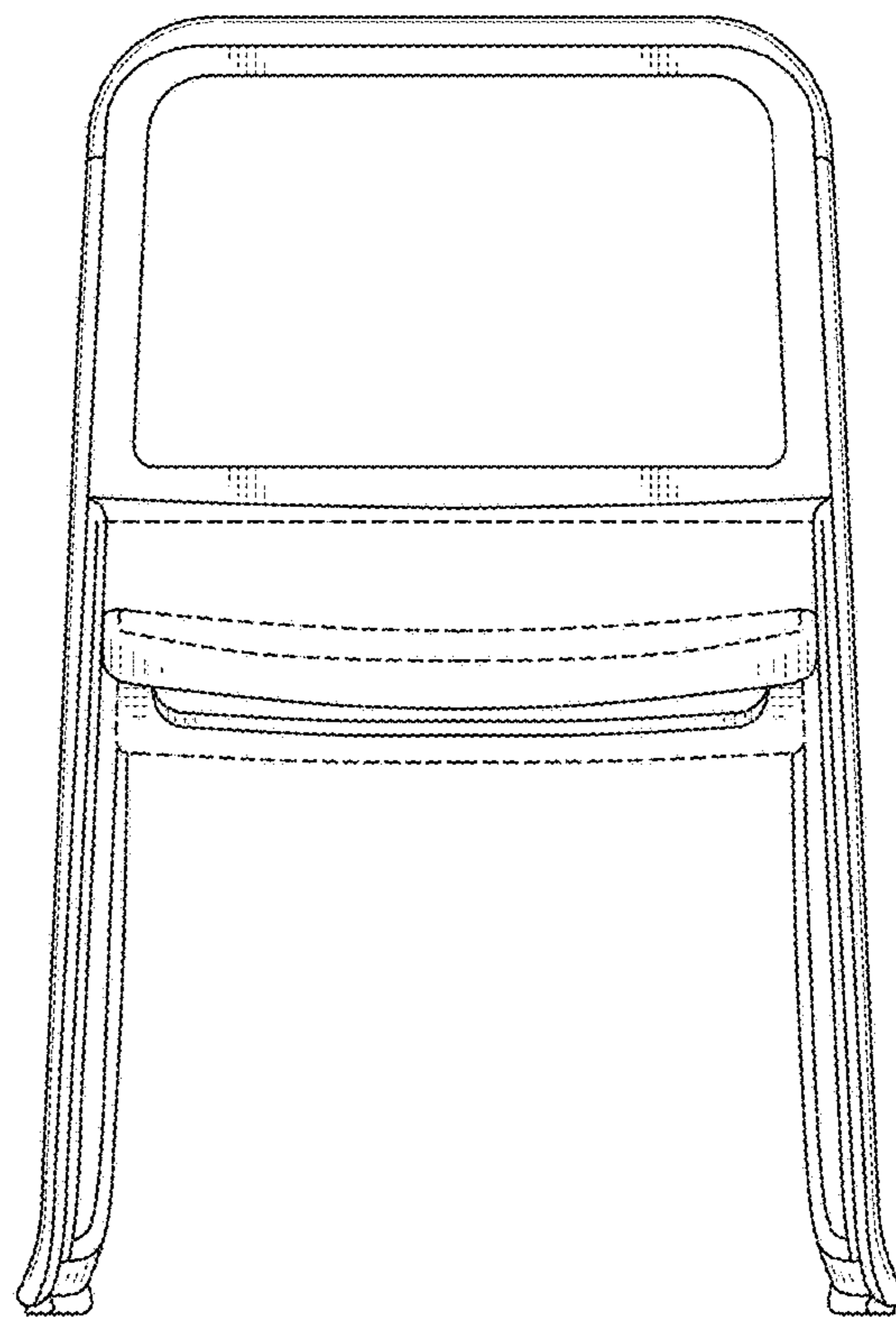


FIG. 10

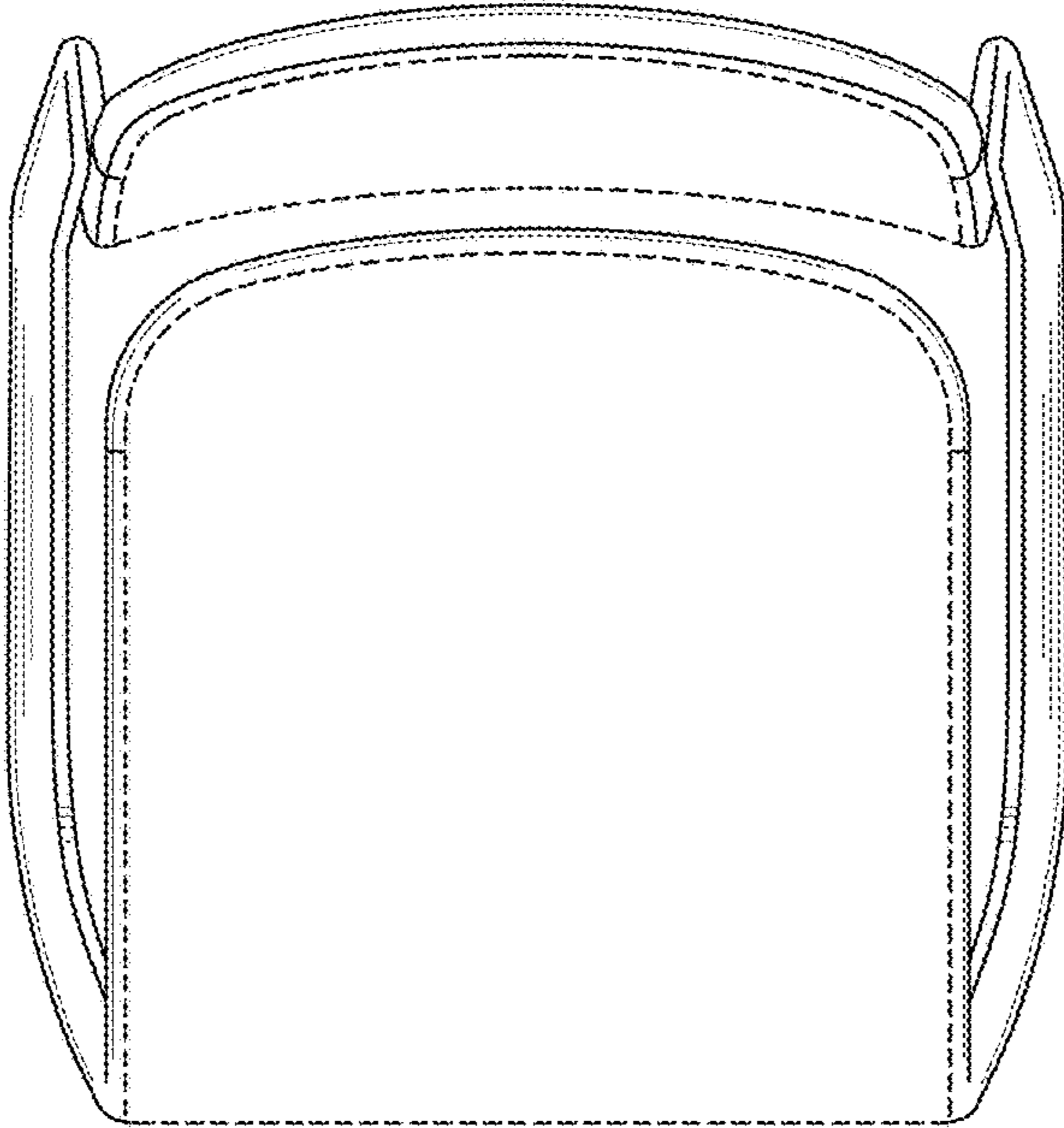


FIG. 11

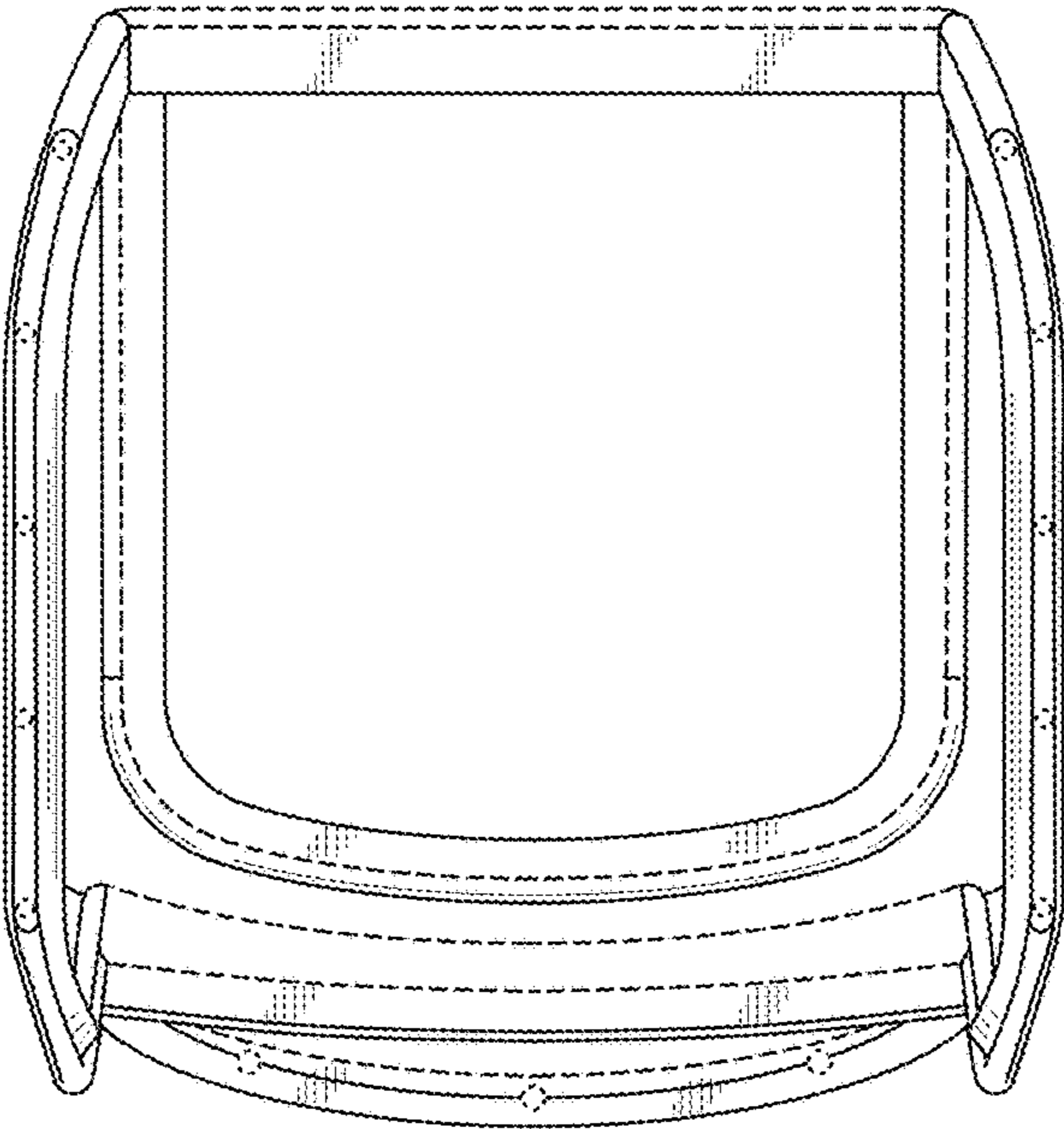


FIG. 12

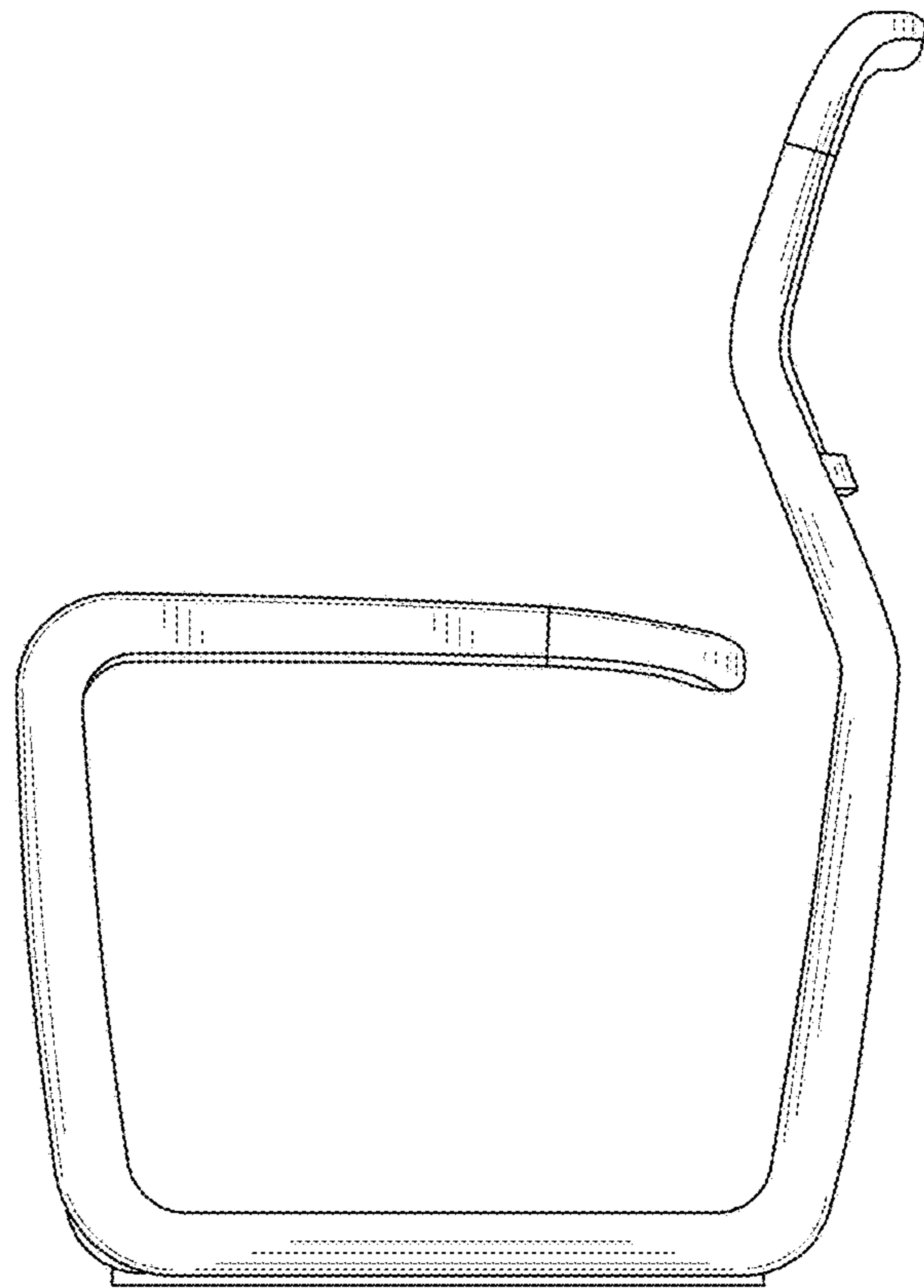


FIG. 13

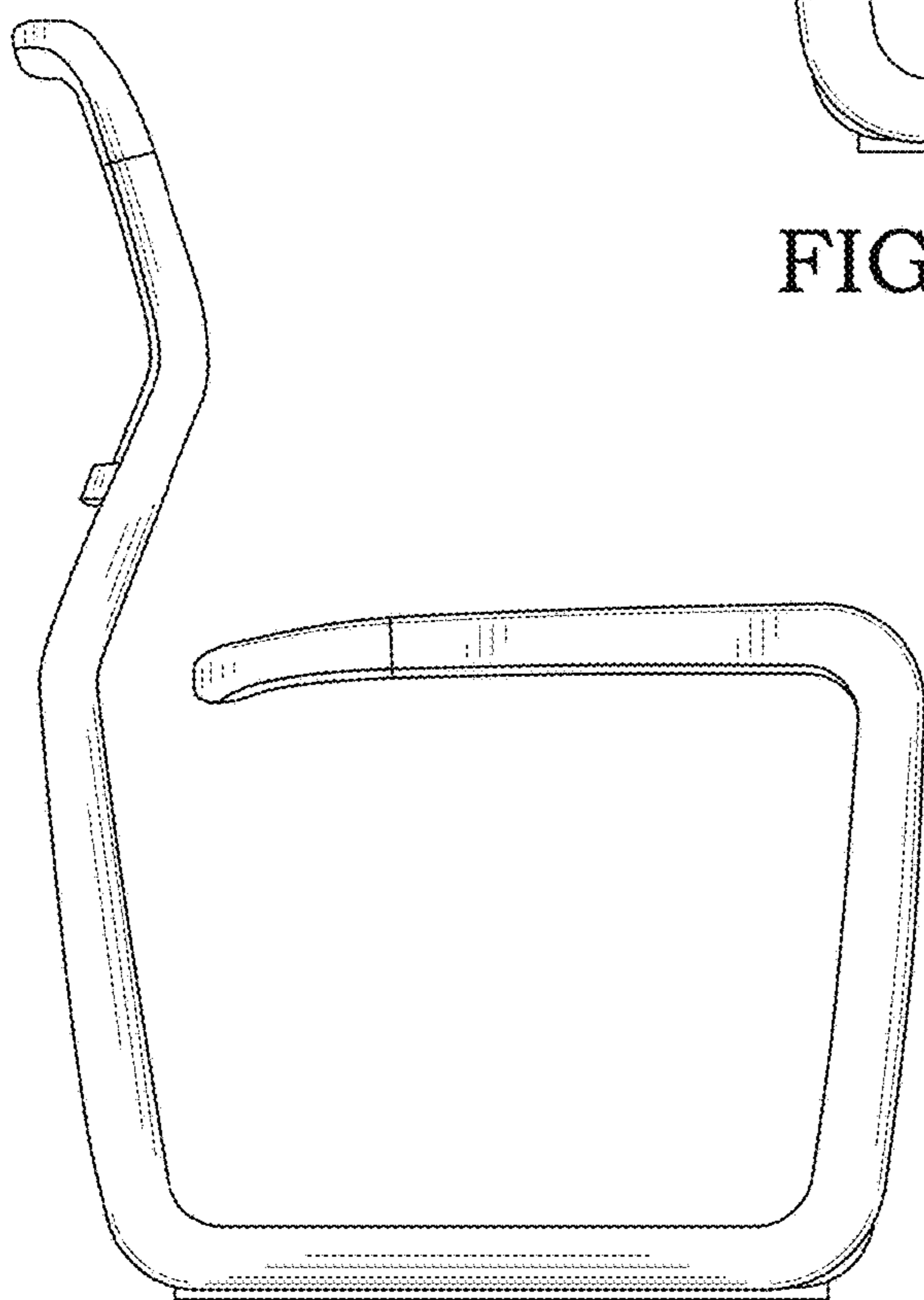


FIG. 14