



US00D817651S

(12) **United States Design Patent**
Siebert et al.

(10) **Patent No.:** **US D817,651 S**

(45) **Date of Patent:** **** May 15, 2018**

(54) **STOOL**

(71) Applicant: **Brunswick Corporation**, Lake Forest, IL (US)

(72) Inventors: **Paul Brian Siebert**, Chicago, IL (US);
Jess Allen Sorel, Oakland, CA (US)

(73) Assignee: **Brunswick Corporation**, Mettawa, IL (US)

(**) Term: **15 Years**

(21) Appl. No.: **29/574,390**

(22) Filed: **Aug. 15, 2016**

(51) **LOC (11) Cl.** **06-01**

(52) **U.S. Cl.**

USPC **D6/353**; D6/716

(58) **Field of Classification Search**

USPC D6/349–353, 360, 364–367, 691–691.9,
D6/692–692.6, 716–716.1

CPC A47B 7/00; A47B 7/02; A47B 9/00; A47B
13/02; A47B 23/00; A47B 39/00; A47C
7/002; A47C 7/18; A47C 3/18; A47C
9/007; A47C 9/10; A47C 11/00; A47C
12/00; A47C 13/00

See application file for complete search history.

(56) **References Cited**

U.S. PATENT DOCUMENTS

D236,299 S * 8/1975 Long et al. D6/360
D283,762 S * 5/1986 Caruso D6/335

(Continued)

OTHER PUBLICATIONS

Perch Chairs & Stools Desk Chair Staples. [online] Published on Jun. 20, 2017. Retrieved Oct. 30, 2017 from URL:[https://www.staples.com/Perch-Chairs-and-Stools-Sit-Stand/product_WYF078279045719?.](https://www.staples.com/Perch-Chairs-and-Stools-Sit-Stand/product_WYF078279045719?)*

(Continued)

Primary Examiner — Vy N Koenig

(74) *Attorney, Agent, or Firm* — Andrus Intellectual Property Law, LLP

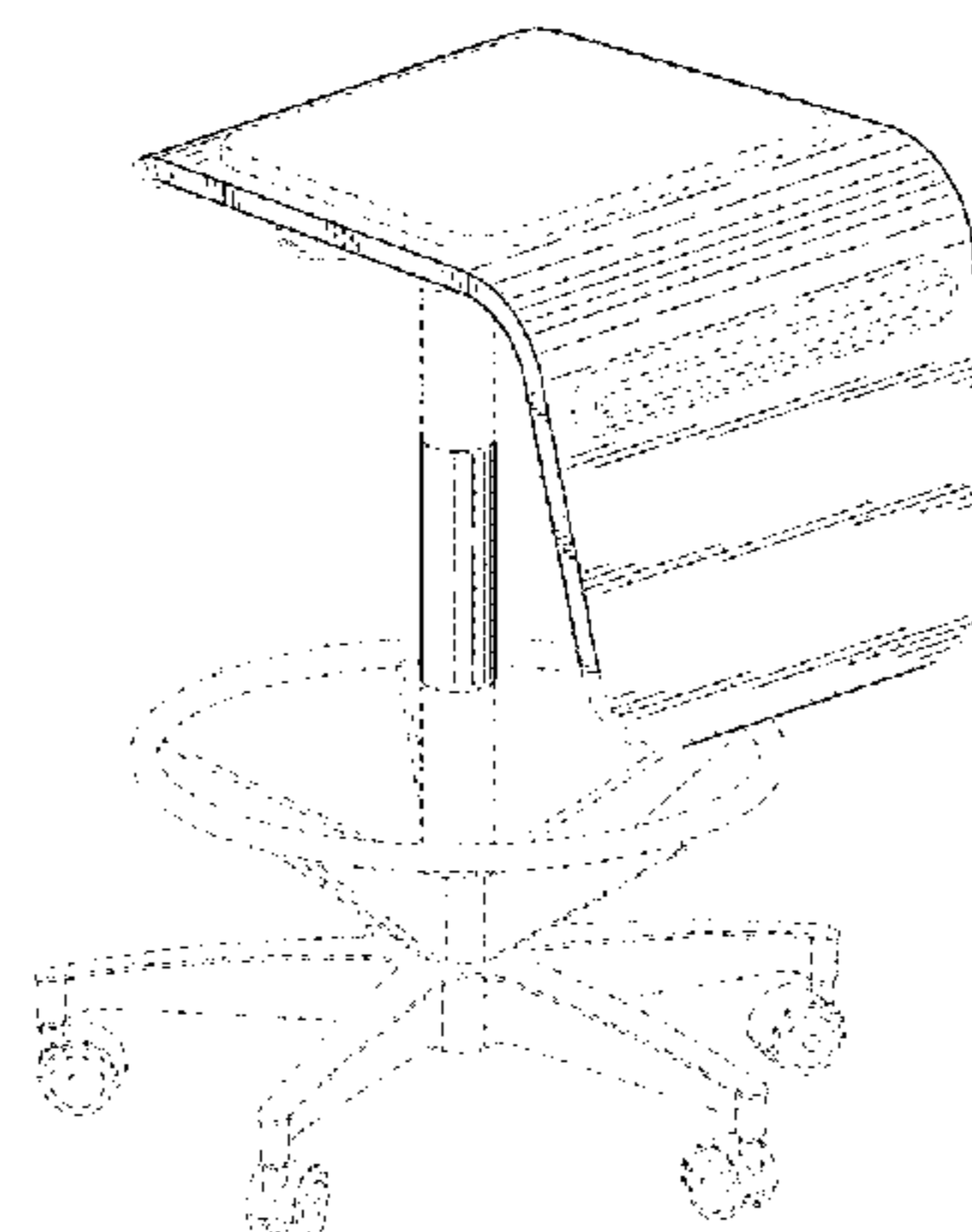
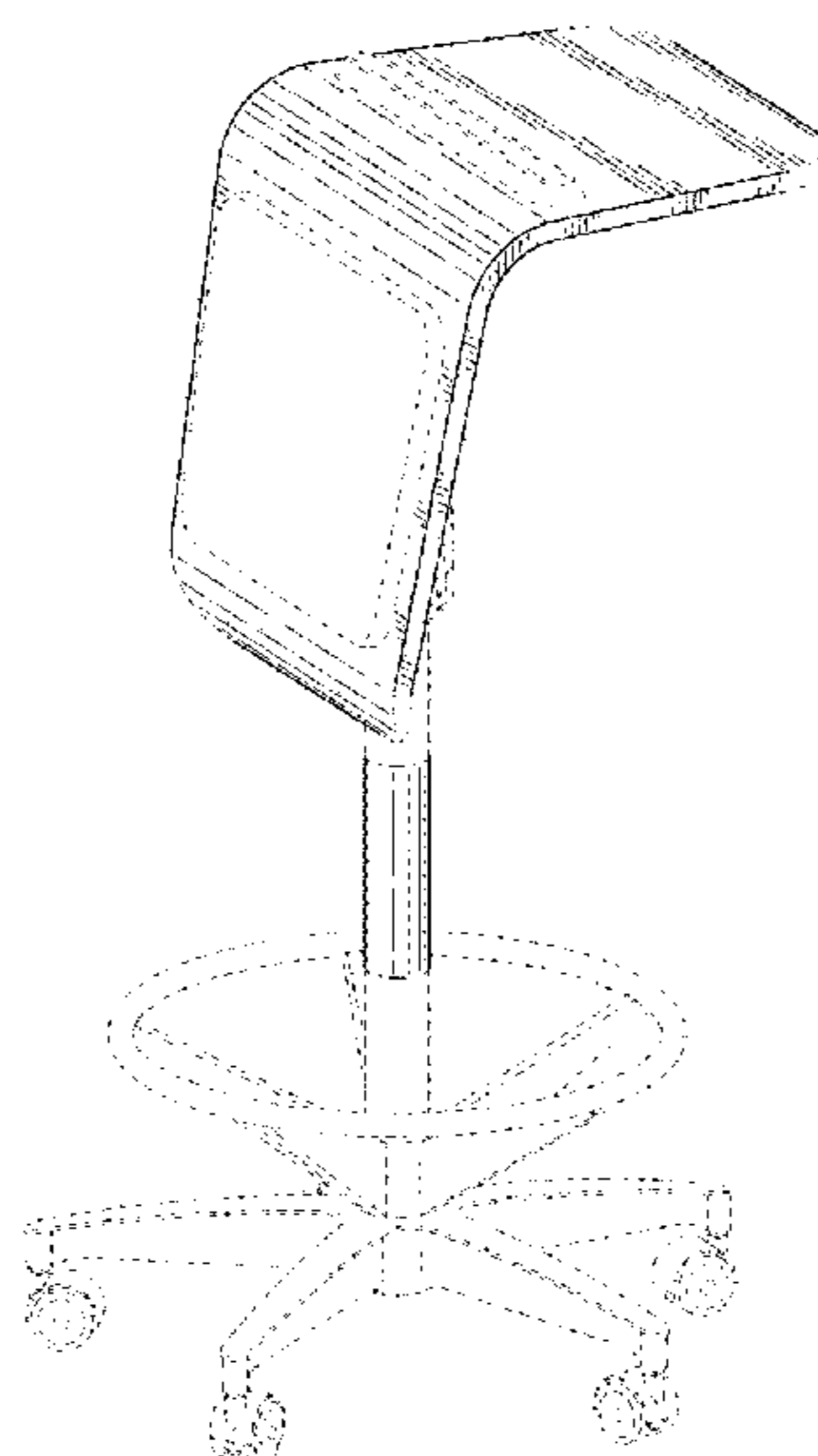
(57) **CLAIM**

The ornamental design for a stool, as shown and described.

DESCRIPTION

FIG. 1 is a perspective view of a stool according to the present disclosure, shown in a raised position; FIG. 2 is a right side view of the stool in the raised position; FIG. 3 is a left side view of the stool in the raised position; FIG. 4 is a front elevation view of the stool in the raised position; FIG. 5 is a rear elevation view of the stool in the raised position; FIG. 6 is a top view of the stool in the raised position; FIG. 7 is a bottom view of the stool in the raised position; FIG. 8 is perspective view of the stool shown in a lowered position; FIG. 9 is a right side view of the stool in the lowered position; FIG. 10 is a left side view of the stool in the lowered position; FIG. 11 is a front elevation view of the stool in the lowered position; FIG. 12 is a rear elevation view of the stool in the lowered position; FIG. 13 is a top view of the stool in the lowered position; and, FIG. 14 is a bottom view of the stool in the lowered position. The broken lines in the drawings represent portions of the stool that form no part of the claimed design.

1 Claim, 8 Drawing Sheets



(56)

References Cited

U.S. PATENT DOCUMENTS

4,623,195 A * 11/1986 Avella A47C 7/004
248/230.2
4,690,459 A * 9/1987 Ullman A47C 9/005
297/423.1
4,773,337 A 9/1988 Ball
4,986,195 A 1/1991 Diffrient
D314,878 S 2/1991 Hart
5,121,697 A 6/1992 Baum et al.
D327,796 S 7/1992 Ryaa
5,174,225 A 12/1992 Reise et al.
5,354,027 A 10/1994 Cox
D450,466 S 11/2001 Overthun et al.
D468,918 S * 1/2003 de Blois D6/360
D488,630 S * 4/2004 McCann D6/360
6,748,873 B2 6/2004 Brown, Sr.
D502,330 S * 3/2005 Petruccelli D6/360
D503,572 S 4/2005 Eldoy
6,883,863 B2 4/2005 Ginns
D596,415 S 7/2009 Wold
D596,416 S 7/2009 Wold
D602,269 S * 10/2009 Jamison D6/336
D606,343 S * 12/2009 Muller D6/360
D621,173 S * 8/2010 Li D6/360
7,891,677 B2 2/2011 Jenkins
D644,456 S 9/2011 Martin
8,051,784 B2 11/2011 Hsu
8,171,863 B2 5/2012 Nyenhuis et al.
D661,129 S * 6/2012 Schweikarth D6/349
8,359,983 B2 1/2013 Williamson et al.

8,573,688 B2 11/2013 Shackelford
D705,556 S 5/2014 Udagawa
8,720,989 B2 5/2014 Jurcic et al.
8,840,175 B2 9/2014 Short
D720,161 S 12/2014 Udagawa
9,144,300 B2 9/2015 Coety
D758,747 S * 6/2016 Lenz D6/349
D764,847 S 8/2016 Stater
D774,792 S * 12/2016 Haaksma D6/366
D778,631 S * 2/2017 Tanaka D6/373
D792,141 S * 7/2017 Su D6/373
D799,875 S * 10/2017 Siebert D6/716.1
2006/0232109 A1 * 10/2006 Olano A47C 3/04
297/195.11
2007/0063555 A1 3/2007 Ehud
2007/0095257 A1 5/2007 Hernandez
2015/0282623 A1 10/2015 Reddig

OTHER PUBLICATIONS

Perch Industrial Work Chair. [online] Published on Feb. 4, 2015.
Retrieved Oct. 30, 2017 from URL: <https://www.perchchairsandstools.com/Perch-Industrial-Work-Chair-p/idch-p.htm>.
Steelcase Product Webpage "Leap Lounge Ergonomic Office Chair"
(<http://www.steelcase.com/products/lounge-seating/leap-lounge-chair/>).
Pending Design U.S. Appl. No. 29/536,608, filed Aug. 18, 2015.
Pending U.S. Appl. No. 14/956,504, filed Dec. 2, 2015.

* cited by examiner

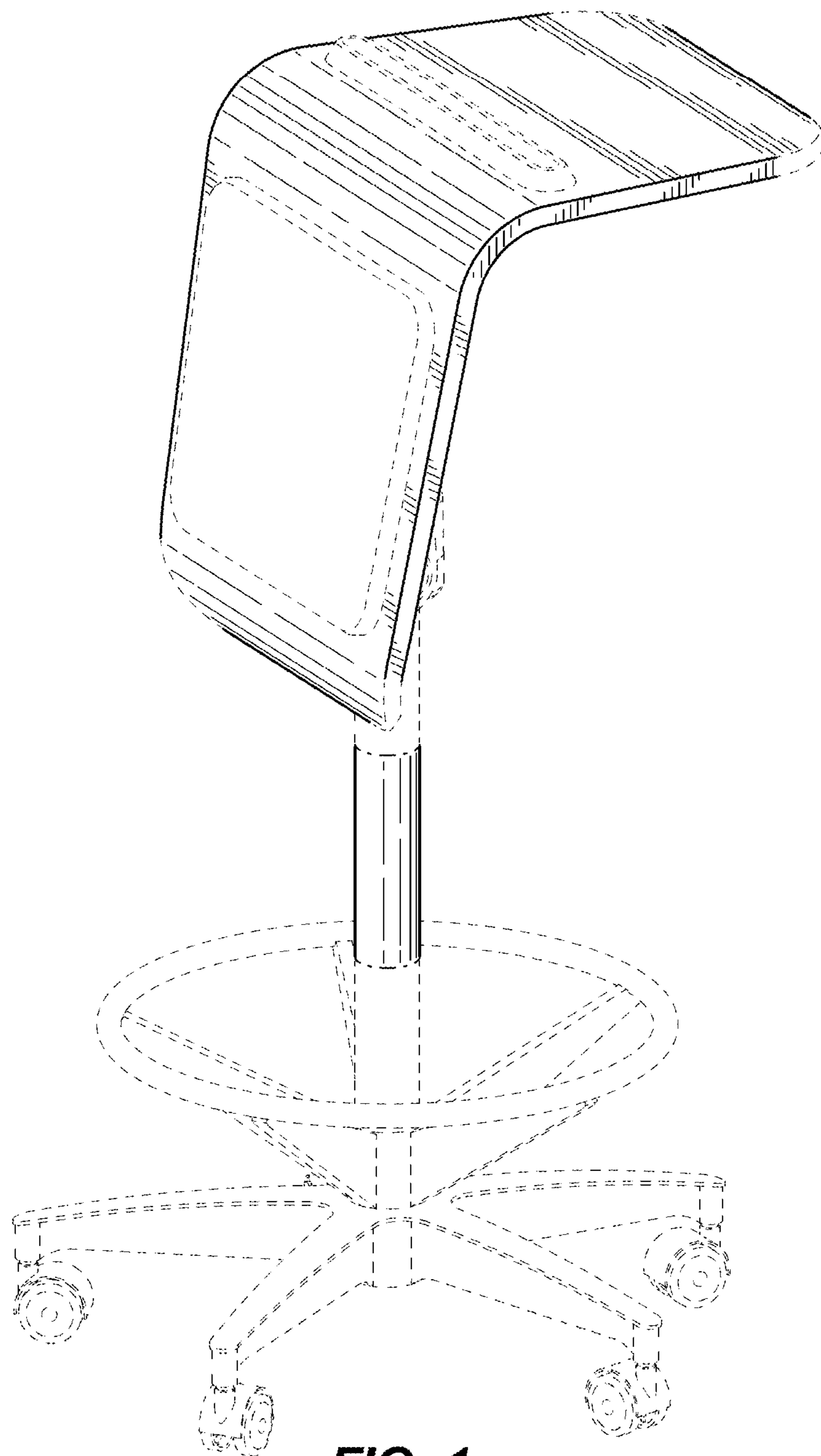


FIG. 1

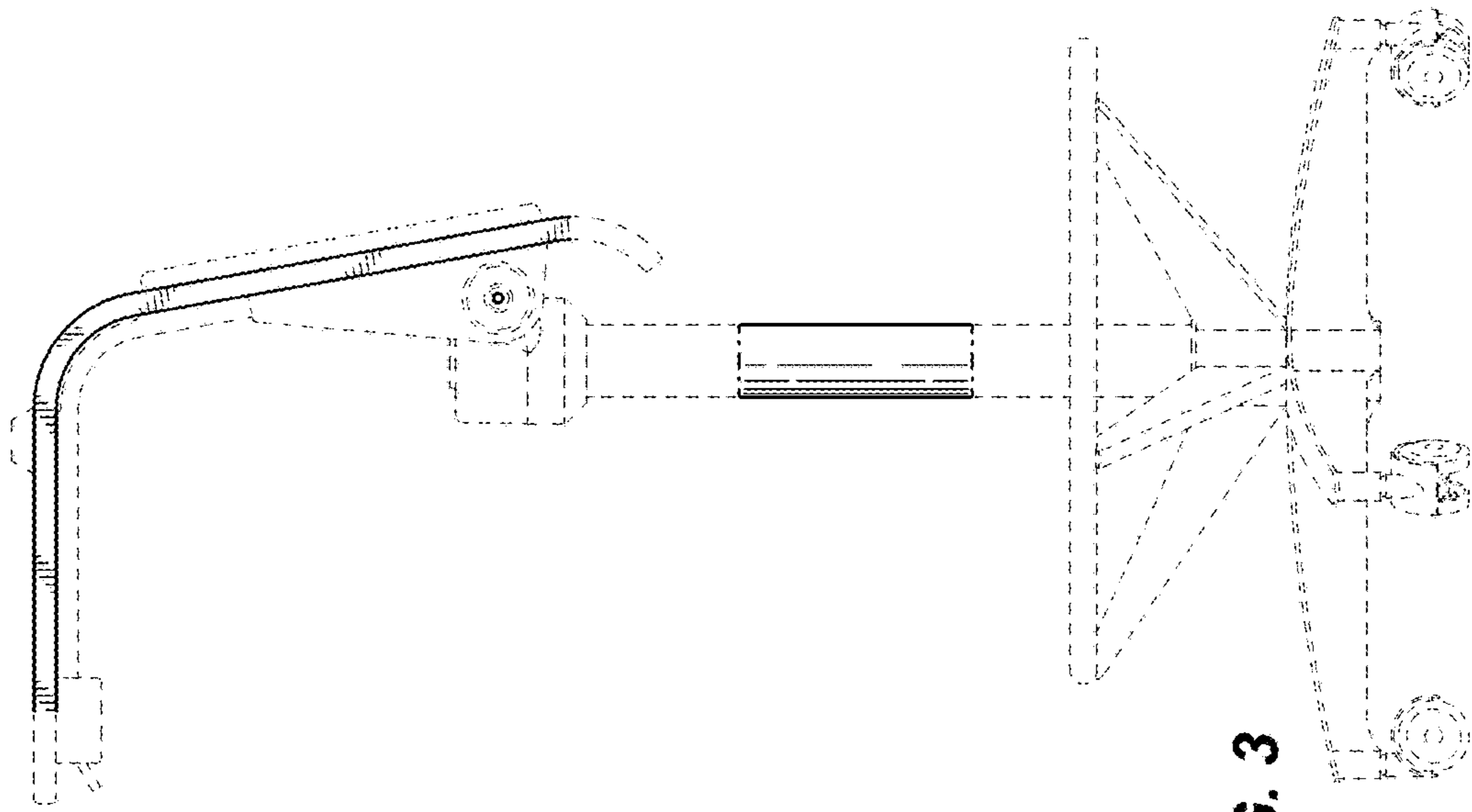


FIG. 3

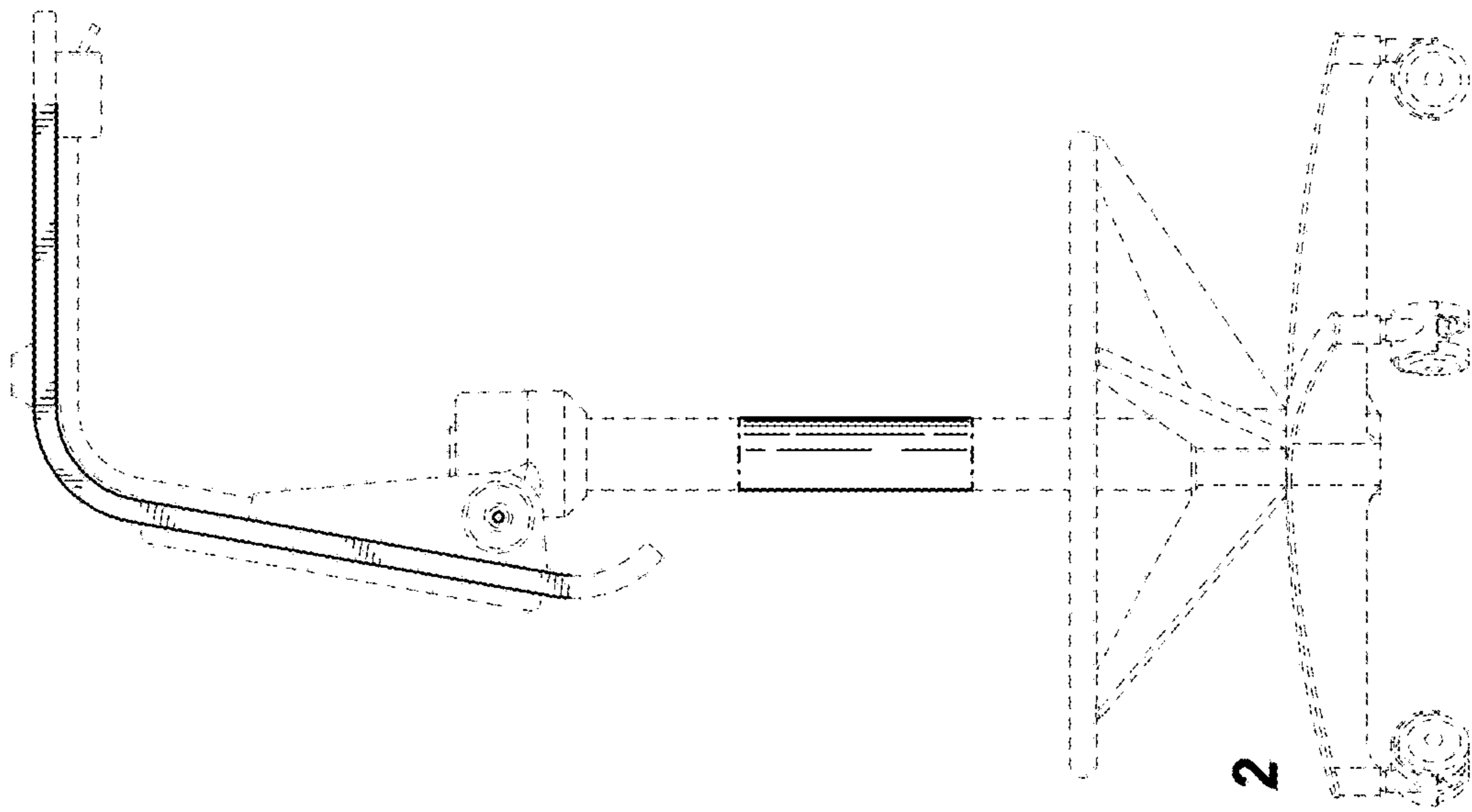


FIG. 2

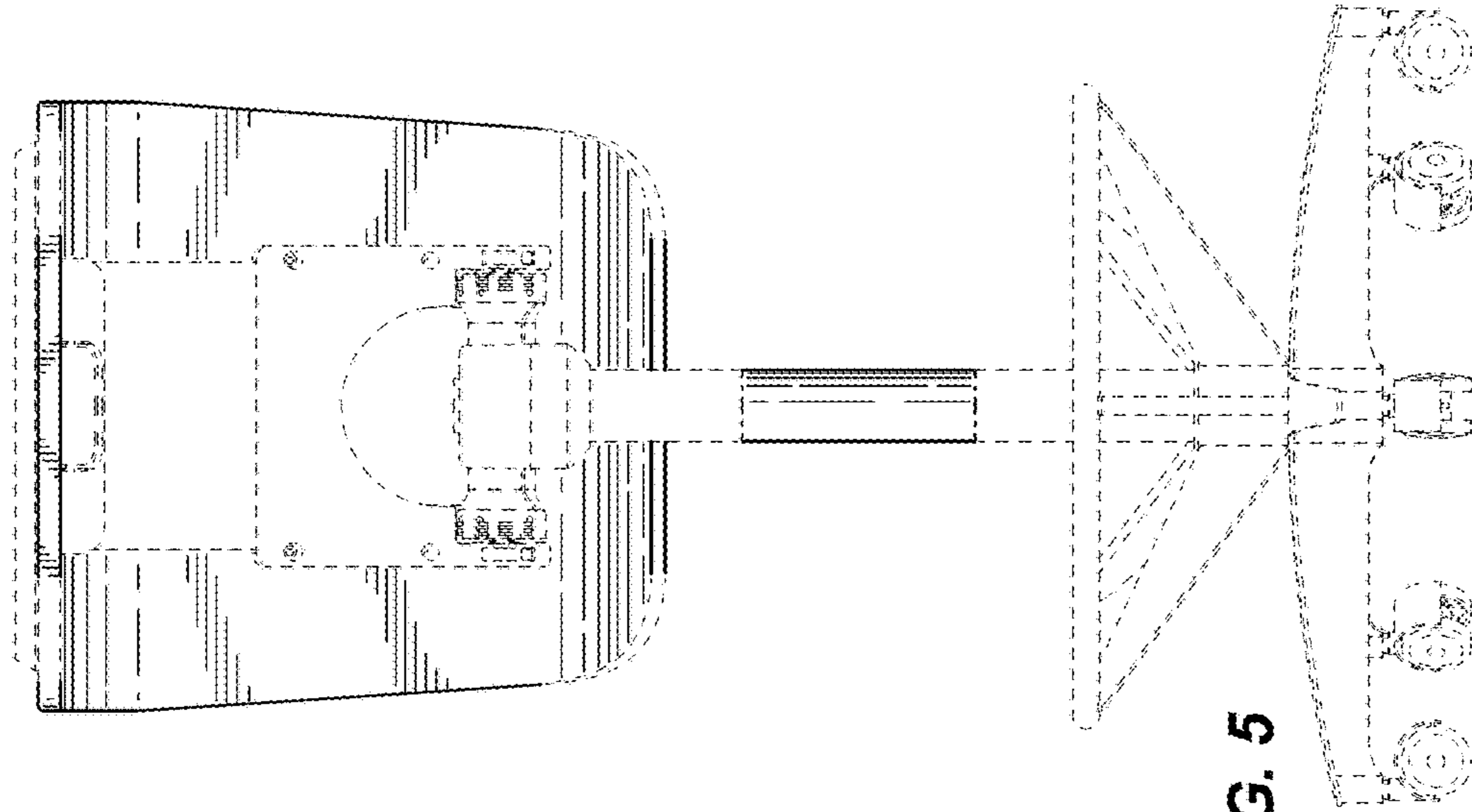


FIG. 5

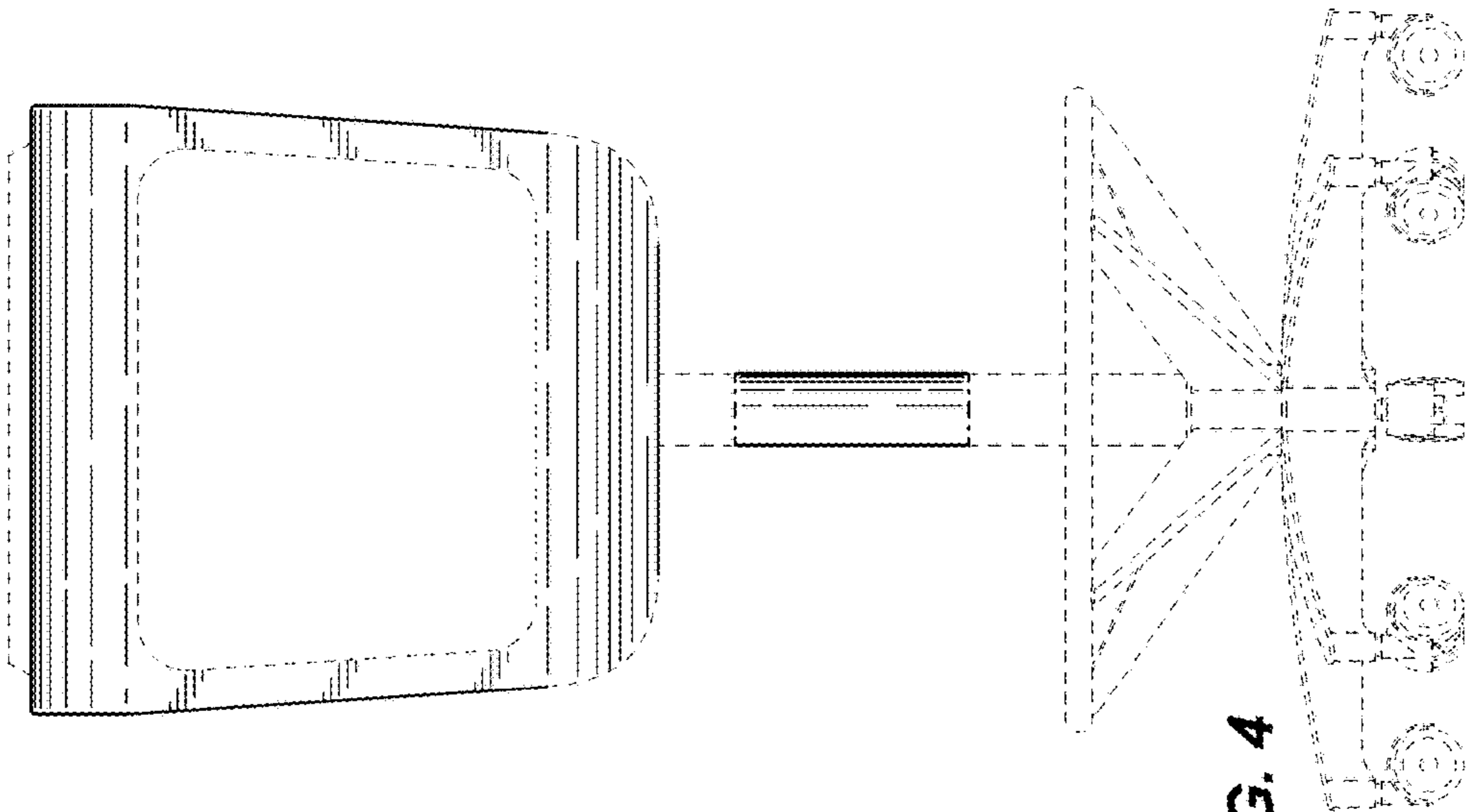


FIG. 4

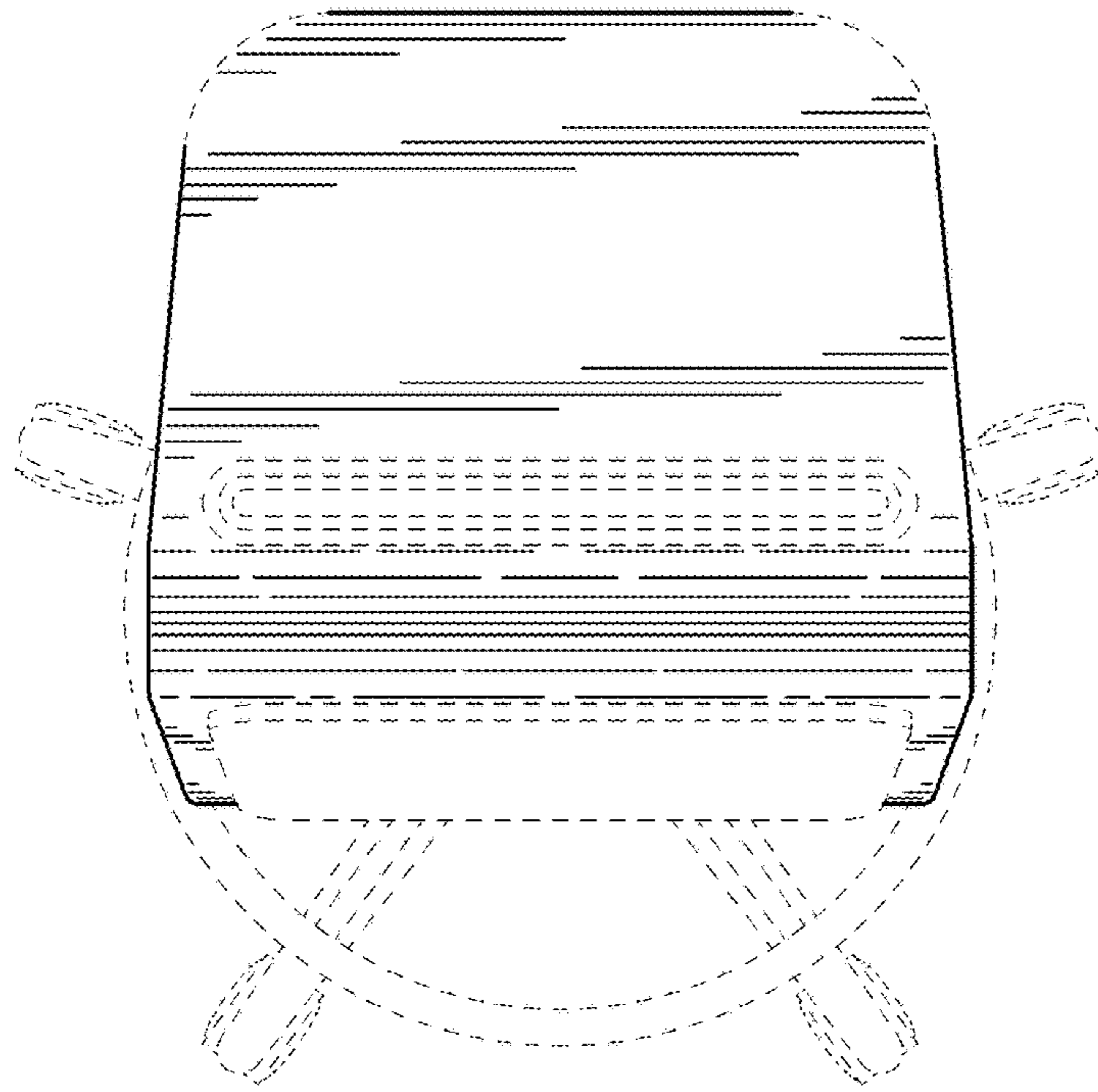


FIG. 6

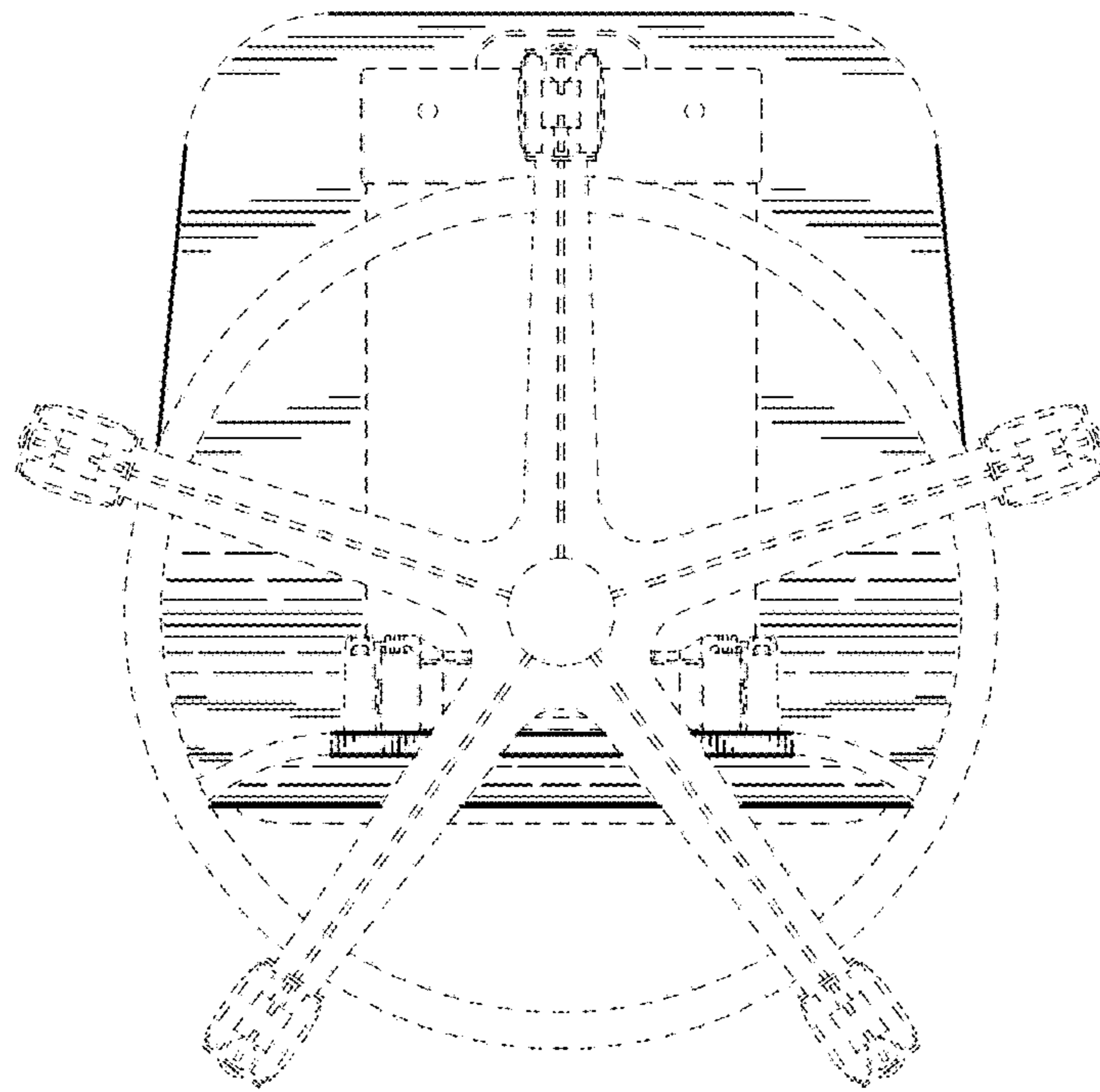


FIG. 7

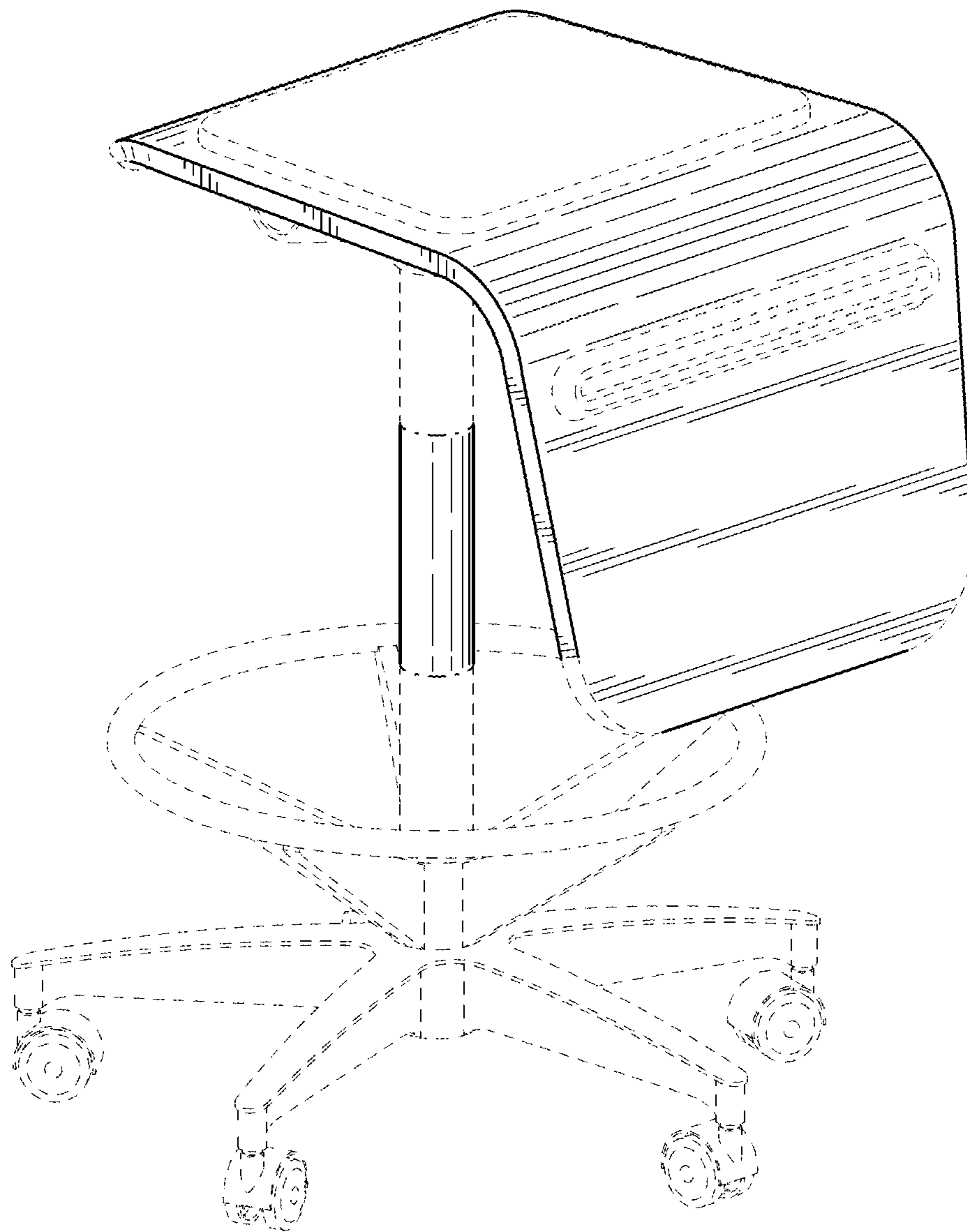


FIG. 8

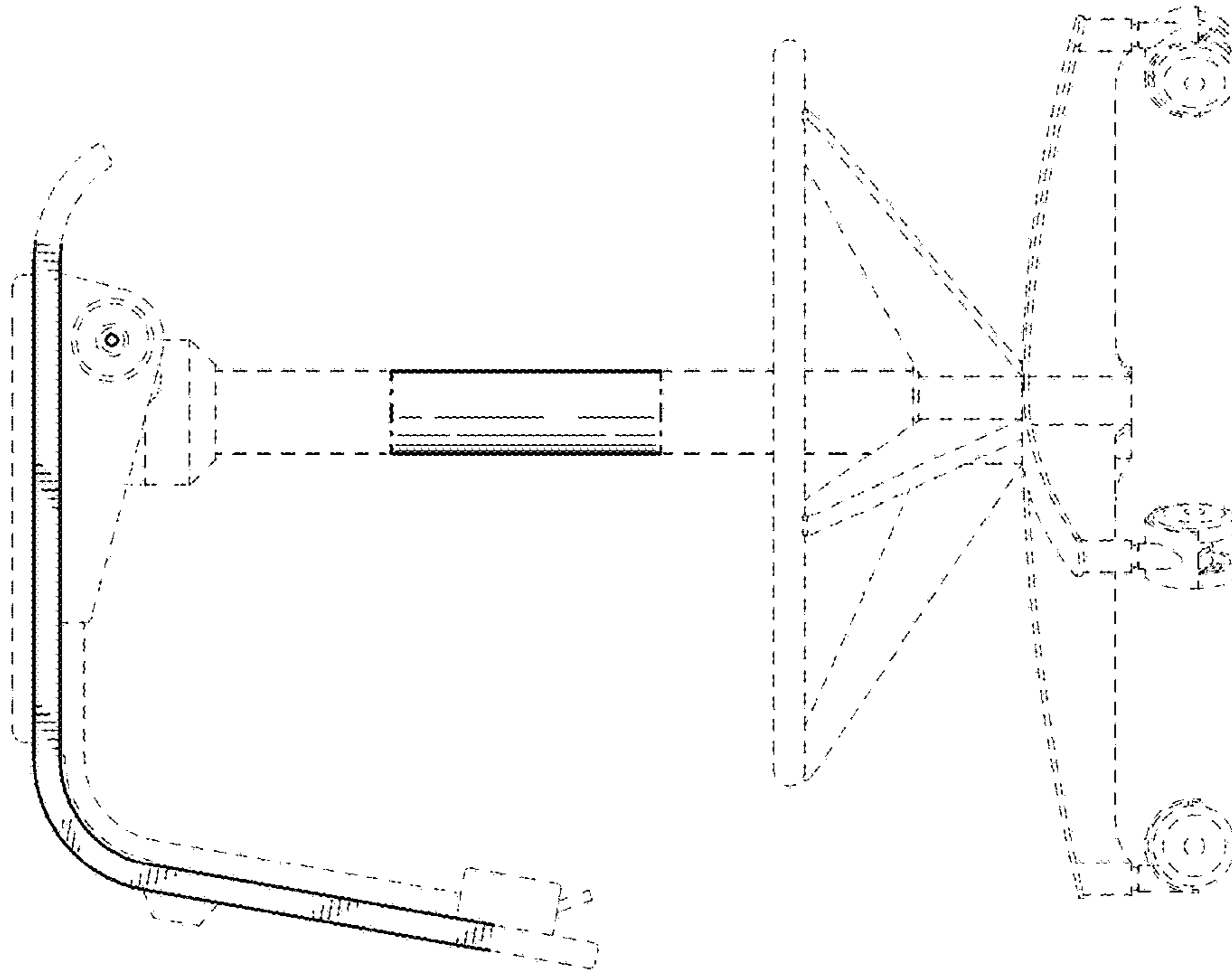


FIG. 9

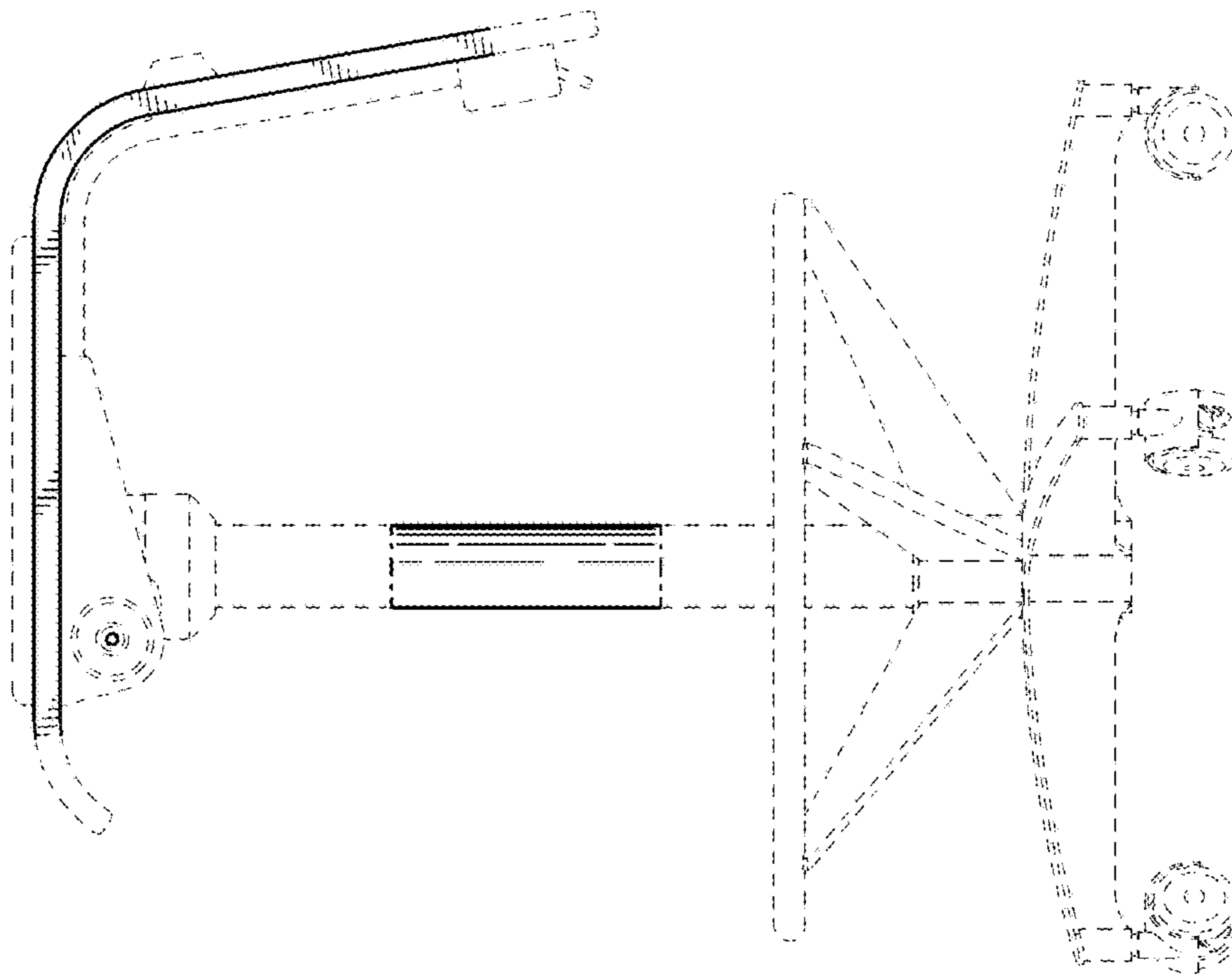


FIG. 10

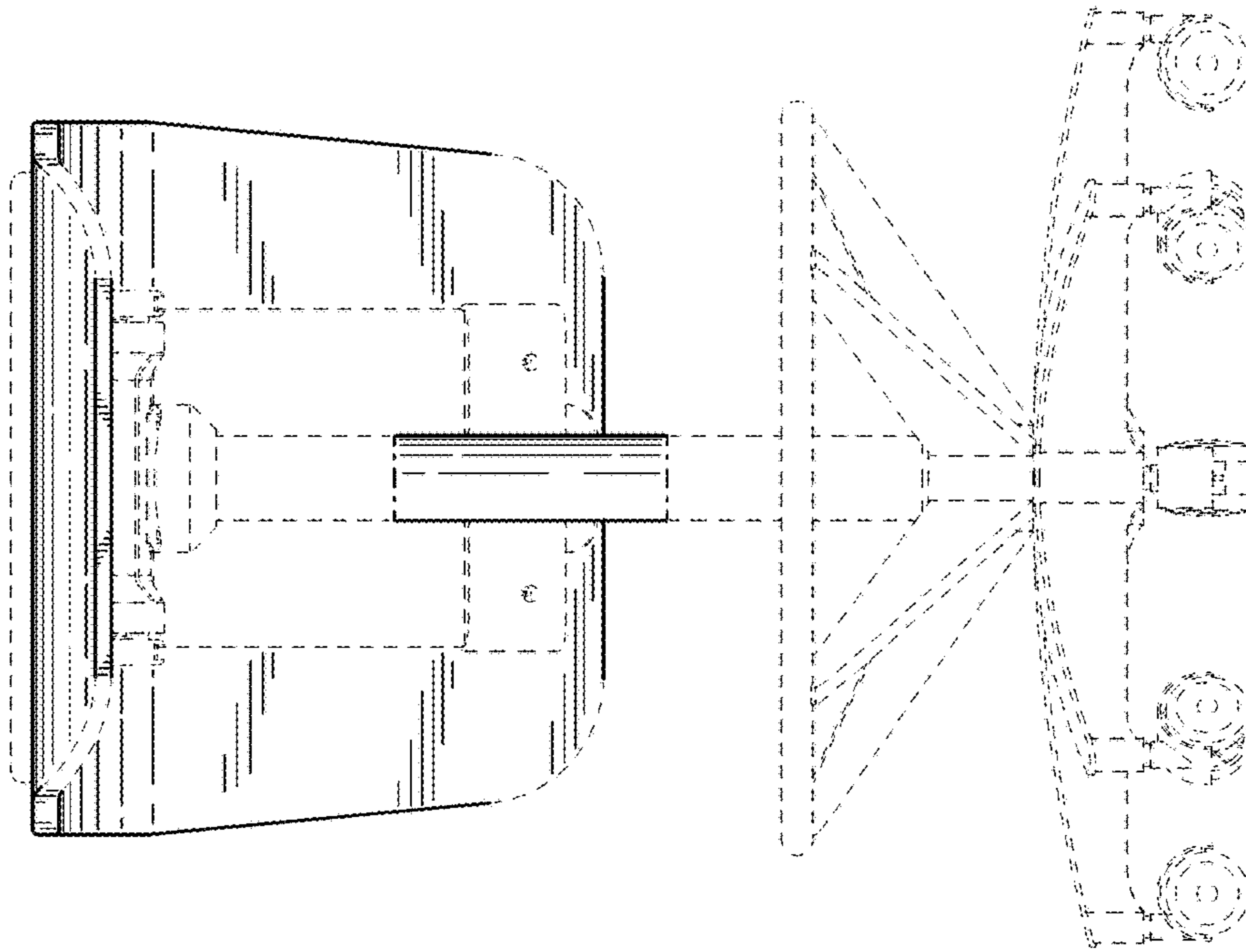


FIG. 11

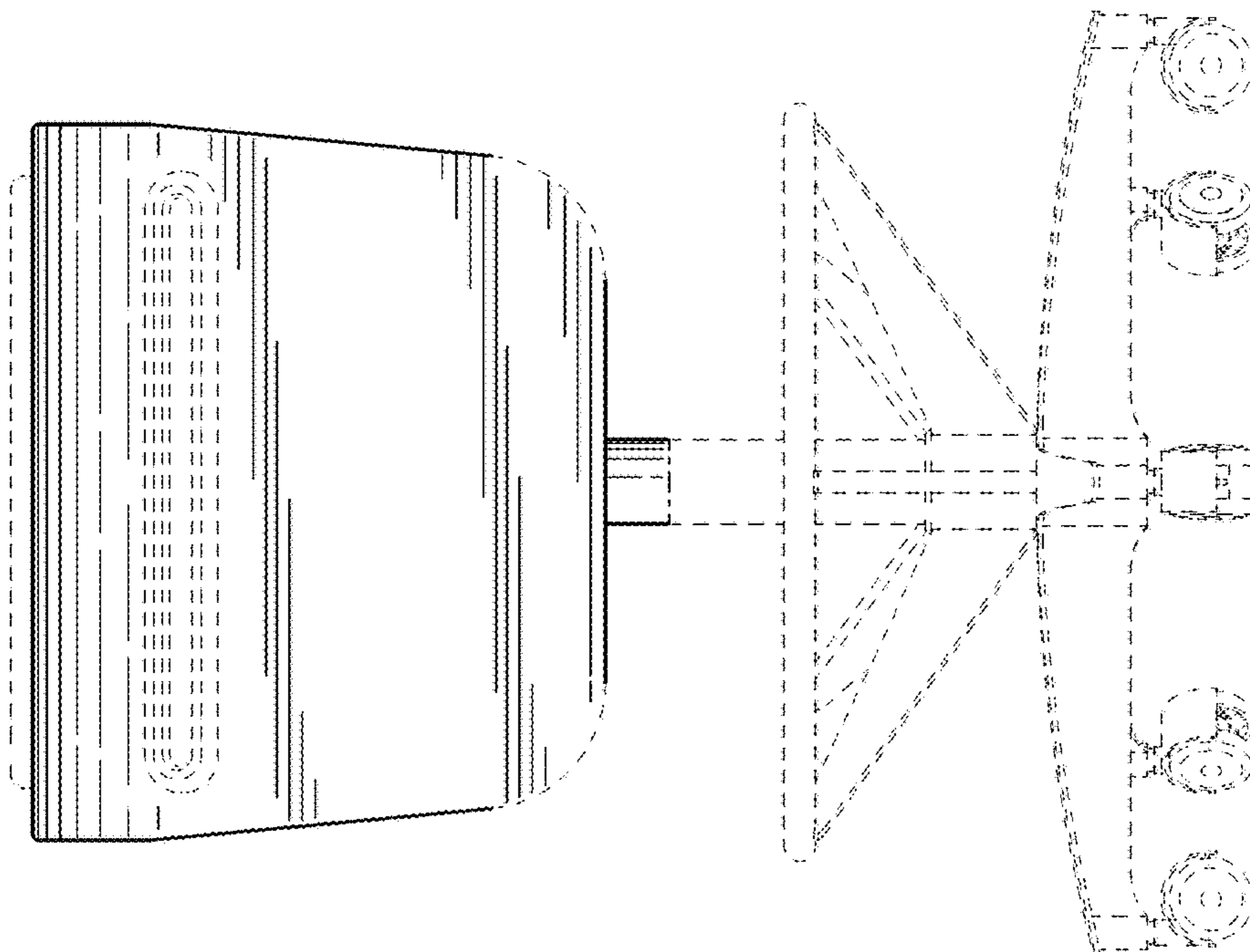


FIG. 12

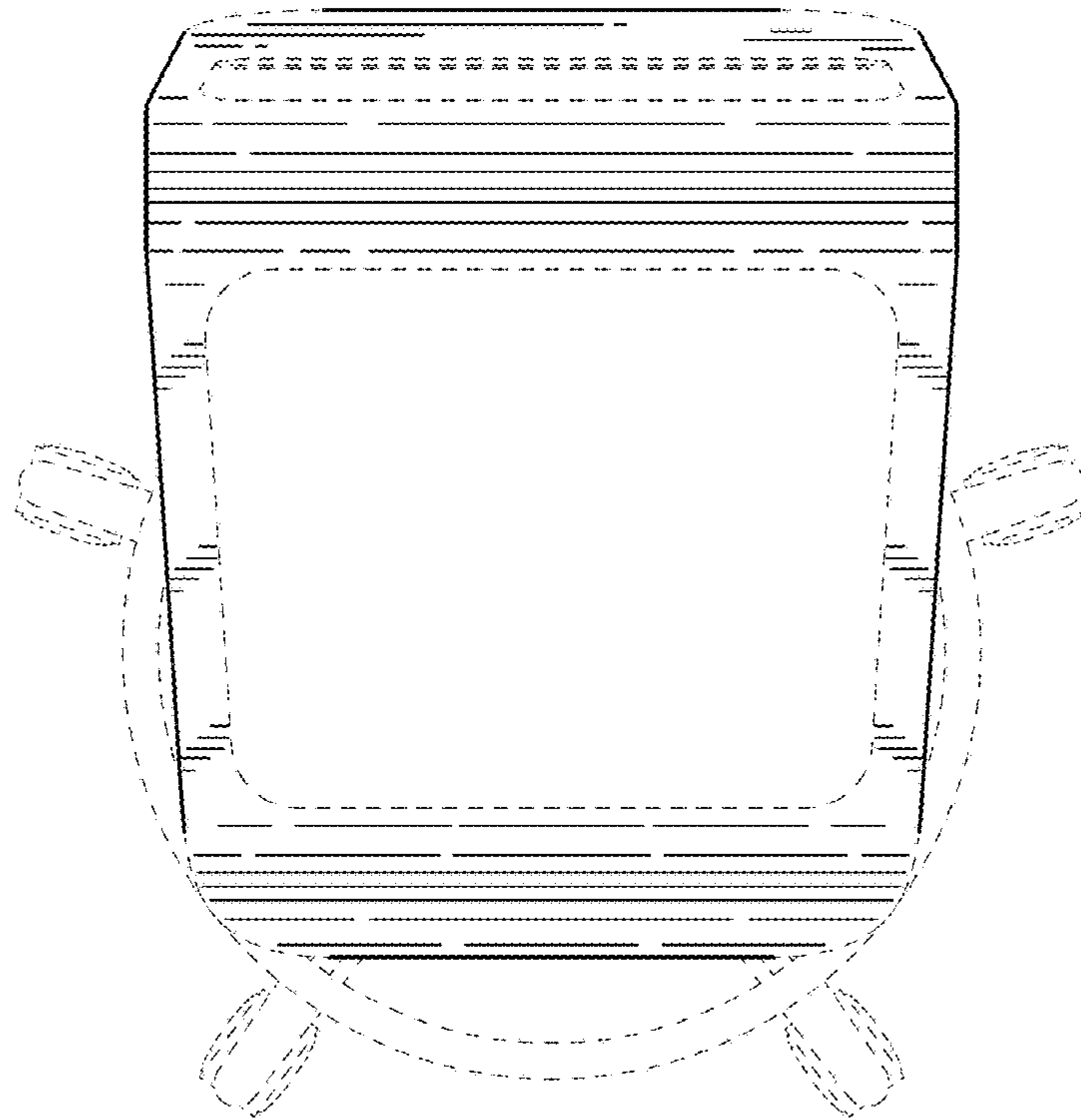


FIG. 13

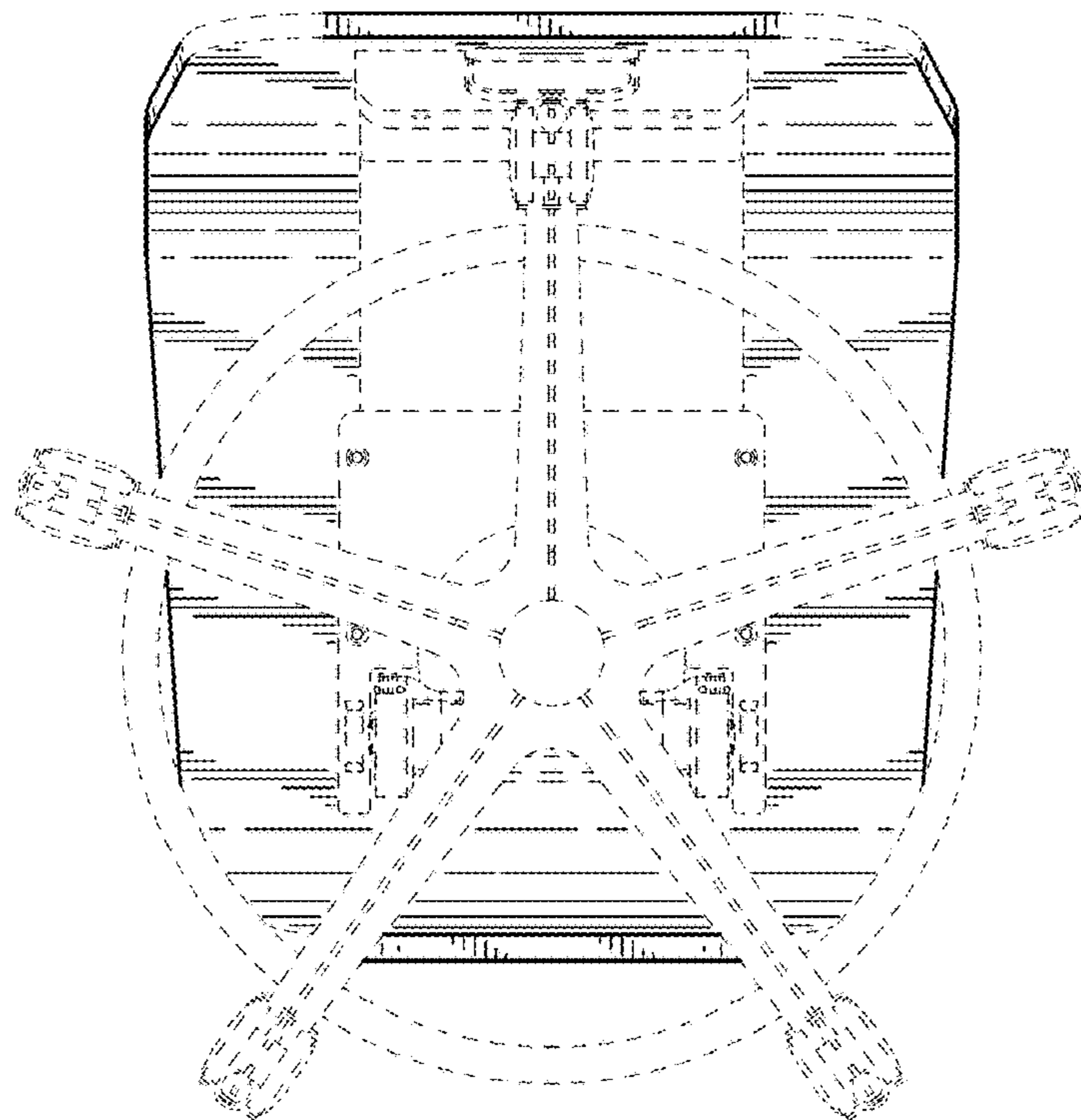


FIG. 14