



US00D817647S

(12) **United States Design Patent** (10) **Patent No.:** **US D817,647 S**  
**Nicoline** (45) **Date of Patent:** **\*\* May 15, 2018**

(54) **BRUSH HANDLE**  
(71) Applicant: **Paris Presents Incorporated**, Gurnee, IL (US)  
(72) Inventor: **Alyssa C Nicoline**, McHenry, IL (US)  
(73) Assignee: **PARIS PRESENTS INCORPORATED**, Gurnee, IL (US)  
(\*\*) Term: **15 Years**  
(21) Appl. No.: **29/599,008**  
(22) Filed: **Mar. 30, 2017**  
(51) **LOC (11) Cl.** ..... **04-02**  
(52) **U.S. Cl.**  
USPC ..... **D4/135**  
(58) **Field of Classification Search**  
USPC ..... D4/121, 127, 135, 138; 15/106, 159.1, 15/160, 176.1, 184, 190-194; 132/289, 132/294, 298, 313, 317, 320; 401/123, 401/141, 175, 281  
CPC ..... A46B 7/026; A46B 5/005; A46B 17/04; A46B 2200/1046  
See application file for complete search history.

(56) **References Cited**  
U.S. PATENT DOCUMENTS  
D454,001 S \* 3/2002 Mink ..... D4/127  
D630,437 S \* 1/2011 Carey ..... D4/116  
D696,816 S \* 12/2013 Kordulla ..... D28/7  
D718,941 S \* 12/2014 Matsuishi ..... D4/135

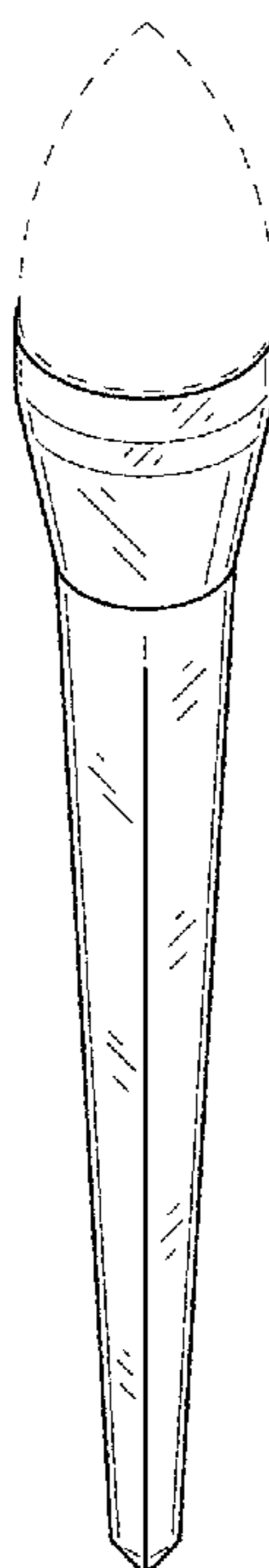
D738,628 S \* 9/2015 Krohmer ..... D4/118  
D758,742 S \* 6/2016 Nicoline ..... D4/138  
D776,939 S \* 1/2017 Krohmer ..... D4/133  
D776,941 S \* 1/2017 Nicoline ..... D4/138  
D788,471 S \* 6/2017 Dunaway ..... D4/135  
D802,938 S \* 11/2017 Nicoline ..... D4/135  
2010/0037407 A1\* 2/2010 Telwar ..... A46B 3/08 15/160  
2014/0331422 A1\* 11/2014 Lim ..... A45D 40/262 15/106  
2016/0324306 A1\* 11/2016 Martin ..... A46B 13/02  
\* cited by examiner

*Primary Examiner* — Austin Murphy  
(74) *Attorney, Agent, or Firm* — Quarles & Brady LLP

(57) **CLAIM**  
The ornamental design for a brush handle, substantially as shown and described.

**DESCRIPTION**  
FIG. 1 is a top perspective view of a brush handle showing our new design;  
FIG. 2 is a front view thereof, it being understood that the back view not shown is a substantial mirror image thereof;  
FIG. 3 is a right side view thereof, it being understood that the left side view not shown is a substantial mirror image thereof;  
FIG. 4 is a top plan view thereof; and,  
FIG. 5 is a bottom plan view thereof.  
The brush handle is not limited to the scale shown herein. Broken lines of FIGS. 1-4 illustrate portions of the brush that form no part of the claimed invention.

**1 Claim, 3 Drawing Sheets**



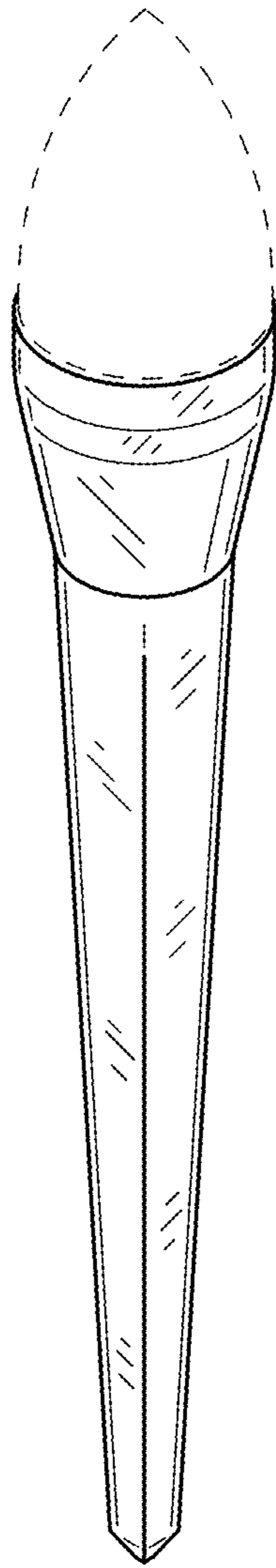


FIG. 1

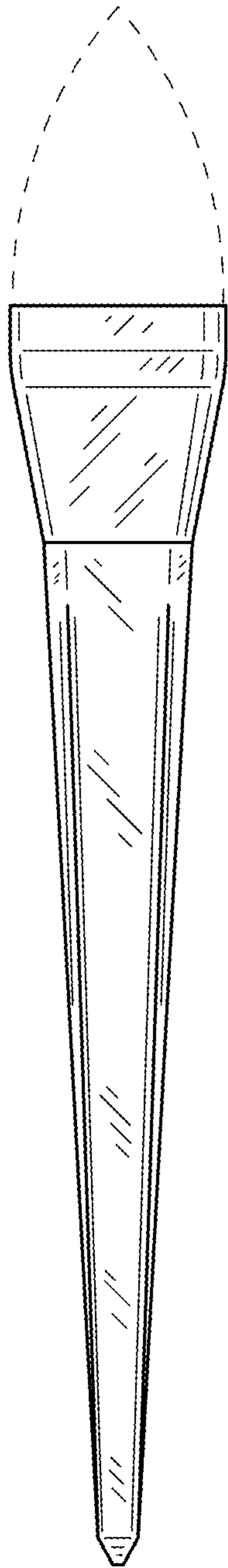


FIG. 2

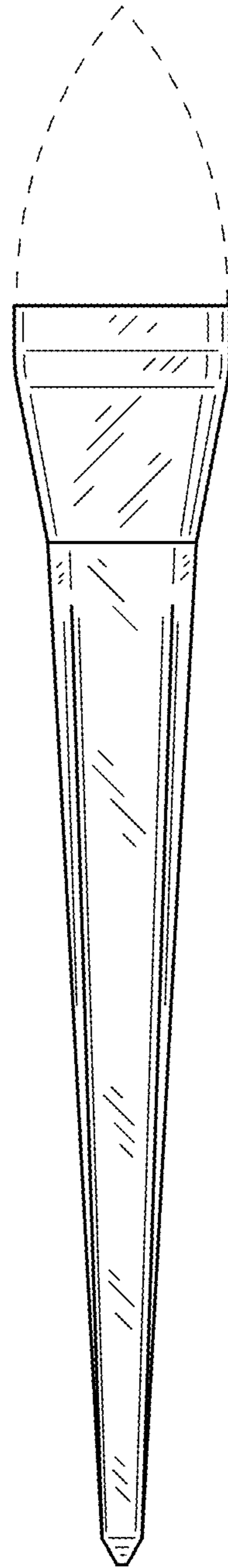


FIG. 3

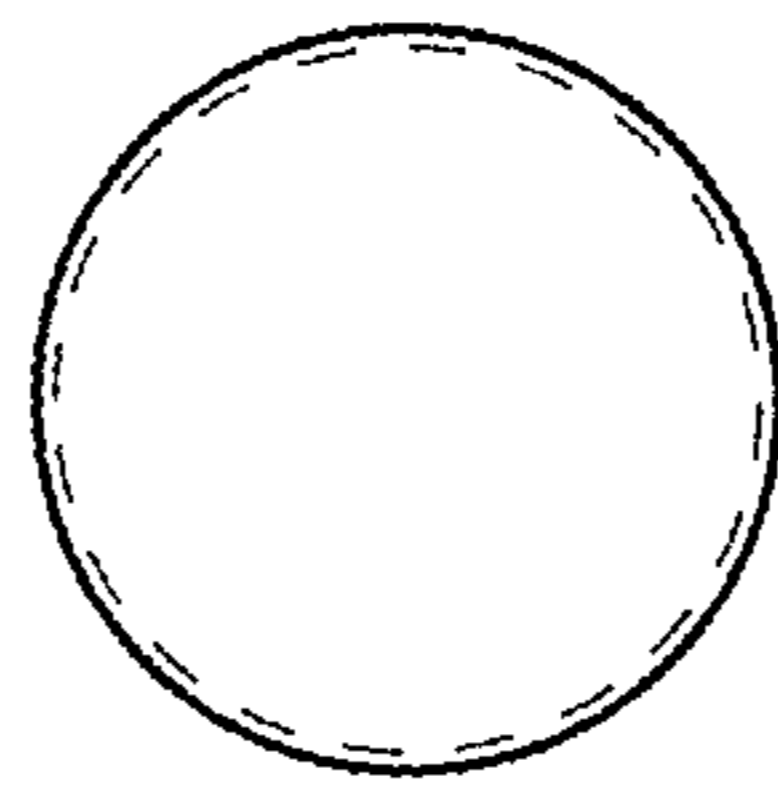


FIG. 4

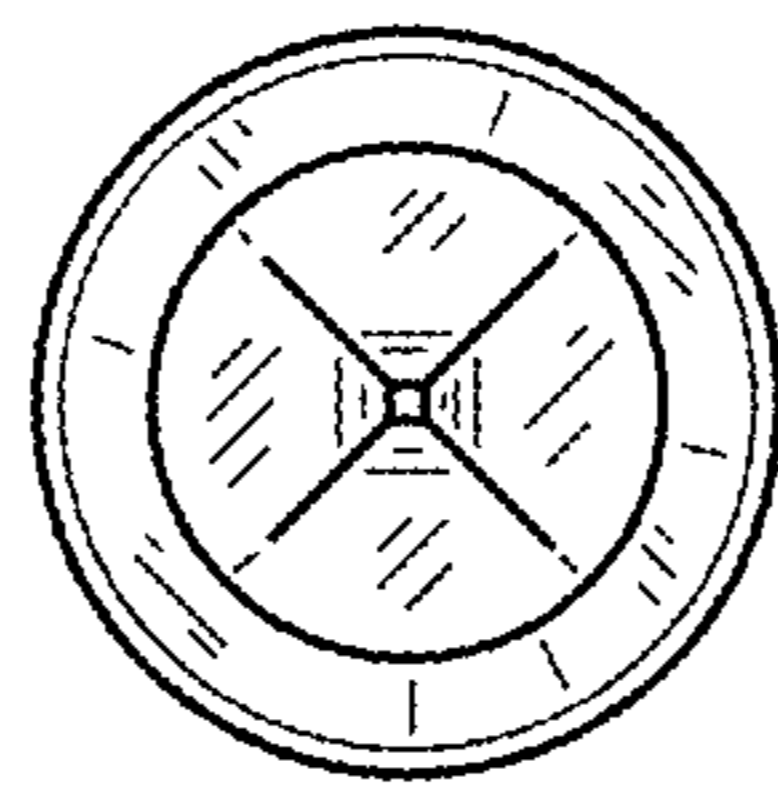


FIG. 5