



US00D817639S

(12) **United States Design Patent** (10) **Patent No.:** **US D817,639 S**
Barlier (45) **Date of Patent:** **** May 15, 2018**

(54) **BAG**
(71) Applicant: **KeepCool USA LLC**, Lafayette, CA (US)
(72) Inventor: **Pierre Barlier**, Lafayette, CA (US)
(73) Assignee: **KEEPCOOL USA LLC**, Lafayette, CA (US)
(**) Term: **15 Years**
(21) Appl. No.: **29/573,099**
(22) Filed: **Aug. 2, 2016**
(51) **LOC (11) Cl.** **03-01**
(52) **U.S. Cl.**
USPC **D3/289**; D3/902
(58) **Field of Classification Search**
USPC D3/274, 273, 276, 283, 284, 285, 287, D3/288, 289, 290, 905, 203.1, 203.6, 205, D3/215, 243, 244, 299, 902; D12/415, D12/416; D7/605, 607
CPC A45C 3/04; A45C 5/005; A45C 2005/10; A45C 2007/0004; A45C 7/0036; A45C 2009/007; A45C 9/00; A45C 2011/003; A45C 11/20
See application file for complete search history.

(56) **References Cited**
U.S. PATENT DOCUMENTS
D282,602 S * 2/1986 Allen D3/287
5,904,230 A * 5/1999 Peterson A45C 7/0077
190/107
D414,379 S * 9/1999 Haberkorn D3/287
D432,871 S * 10/2000 Nottingham D3/276
(Continued)

OTHER PUBLICATIONS
Amazon, "Trolley Bags—Reusable Eco Friendly Shopping Bags to Easily and Safely Bag your Groceries From Your Cart. Sized for

Standard American Grocery Carts. Shows the World You Care About the Planet.", Accessed Sep. 26, 2017, First sold on Mar. 16, 2015. (<https://www.amazon.com/Trolley-Bags-Reusable-Friendly-Groceries/dp/B00UR7FIO4>).
(Continued)

Primary Examiner — Jennifer Rivard
Assistant Examiner — April Rivas
(74) *Attorney, Agent, or Firm* — Buchalter; Philip L. Nulud

(57) **CLAIM**
The ornamental design for a bag, as shown and described.

DESCRIPTION
FIG. 1 is a rear environmental view of the bag in an open configuration;
FIG. 2 is a front view of the bag in an open configuration;
FIG. 3 is a rear view thereof;
FIG. 4 is a left side view thereof;
FIG. 5 is a right side view thereof;
FIG. 6 is a top view thereof;
FIG. 7 is a bottom view thereof;
FIG. 8 is a front perspective view of the bag in a folded configuration;
FIG. 9 is a front view thereof;
FIG. 10 is a rear view thereof;
FIG. 11 is a top view thereof;
FIG. 12 is a bottom view thereof;
FIG. 13 is a left side view thereof;
FIG. 14 is a right side view thereof;
FIG. 15 is a front and left perspective view of the bag in an expanded and closed configuration; and,
FIG. 16 is a front and left perspective view thereof, with handles together ready for use view.
The broken line shopping cart in FIG. 1 represents environment. The remaining broken lines illustrate portions of the bag. None of the broken lines form part of the claimed design.

1 Claim, 12 Drawing Sheets

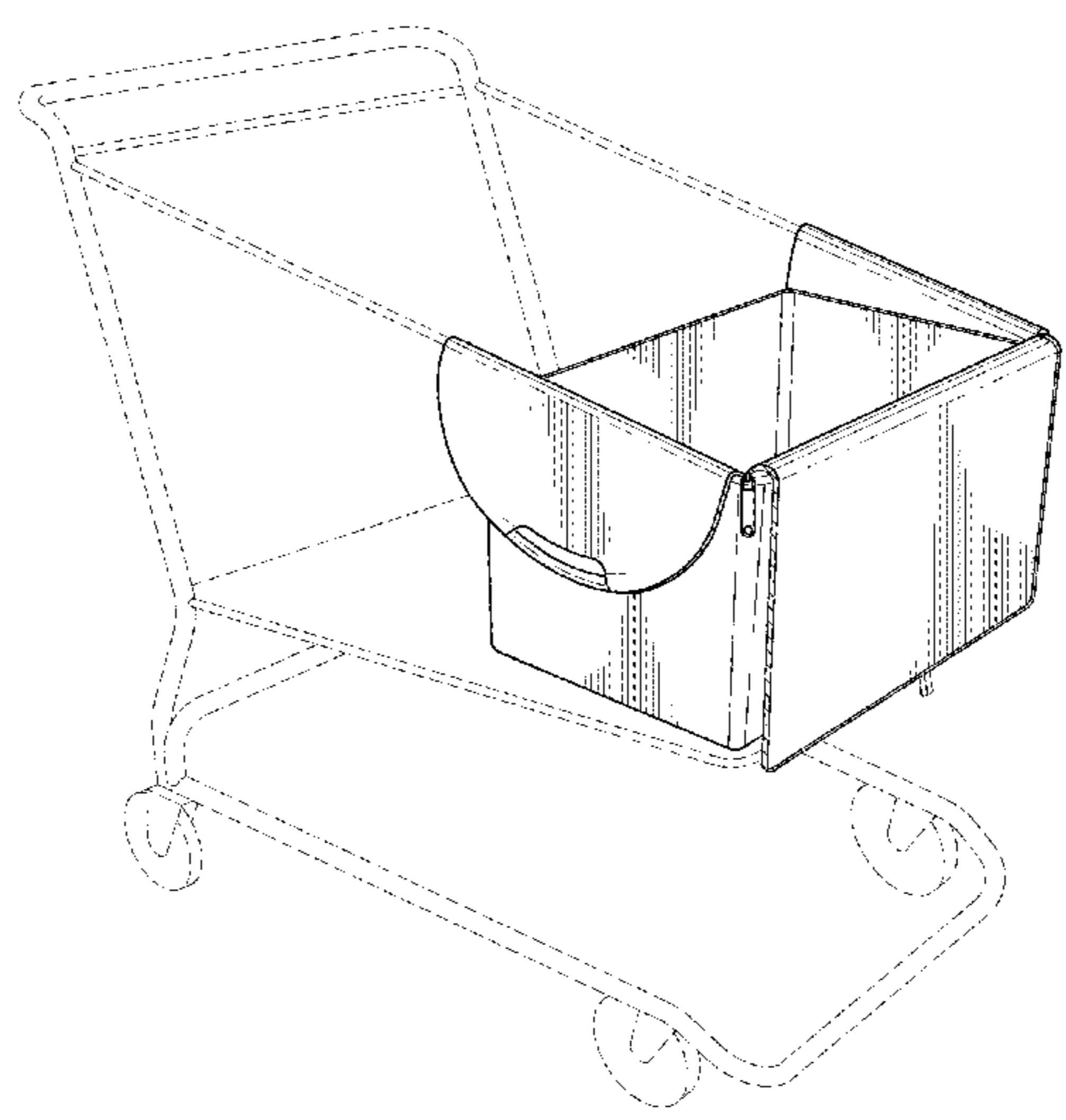
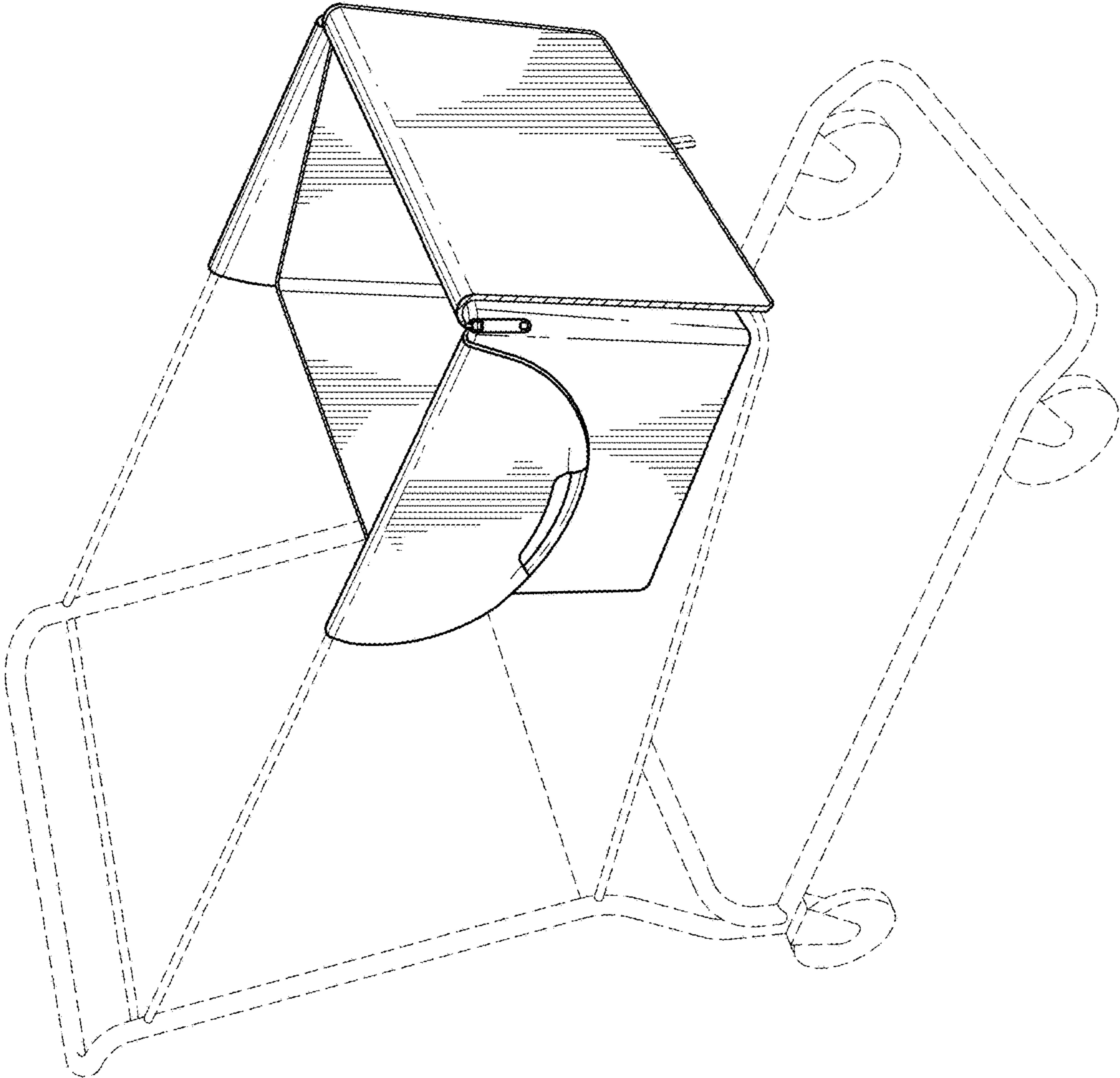


FIG. 1



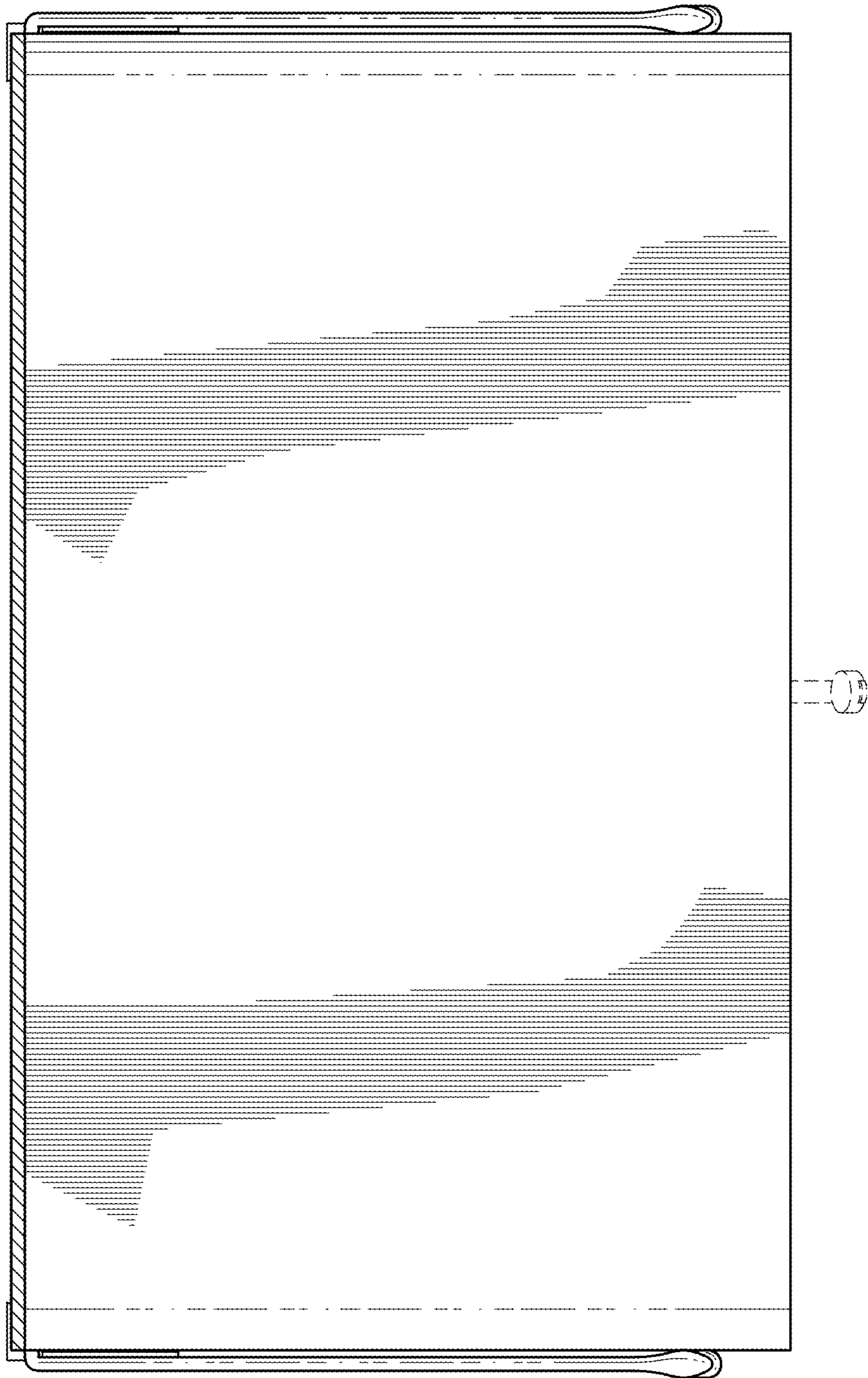


FIG. 2

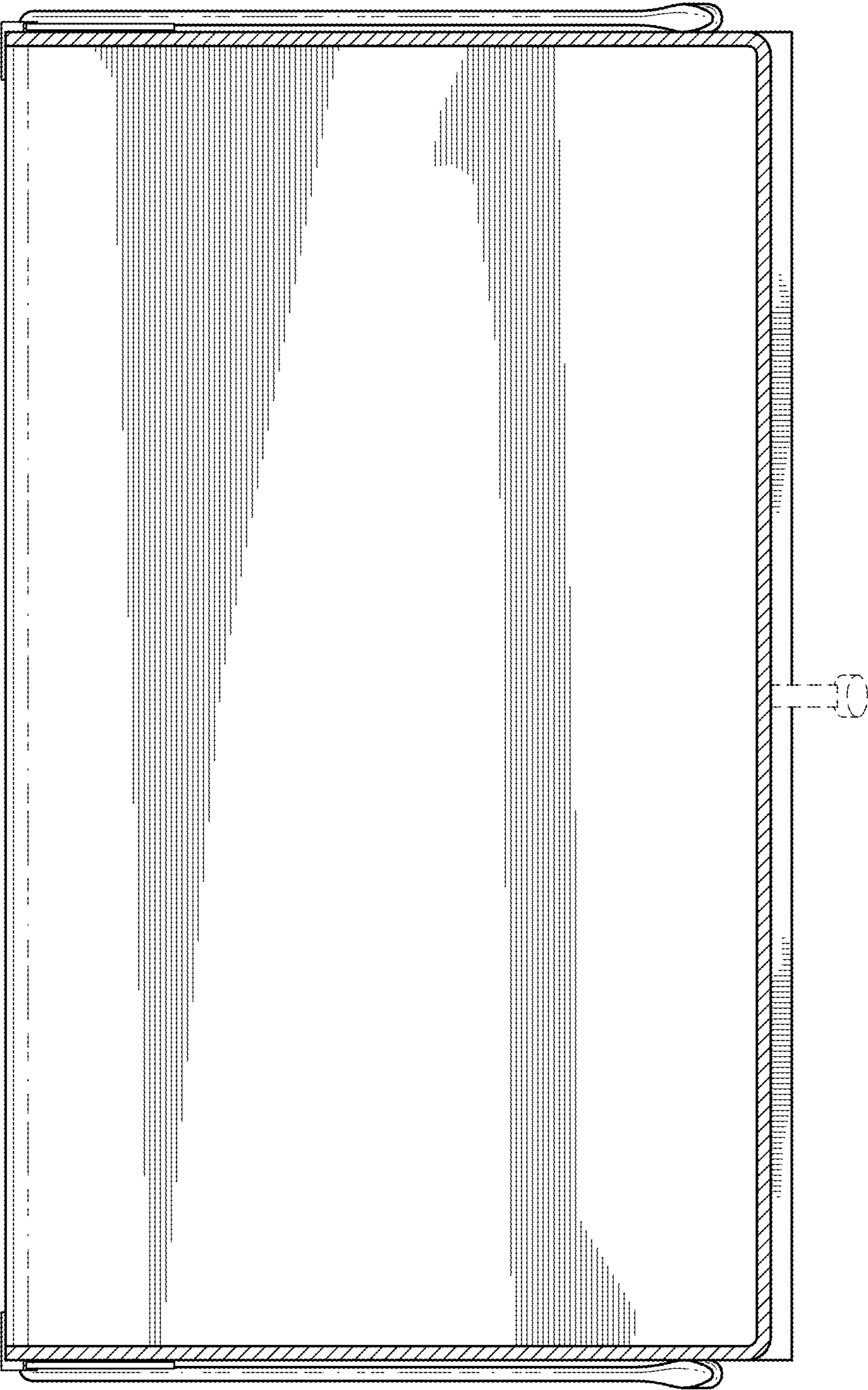


FIG. 3

FIG. 4

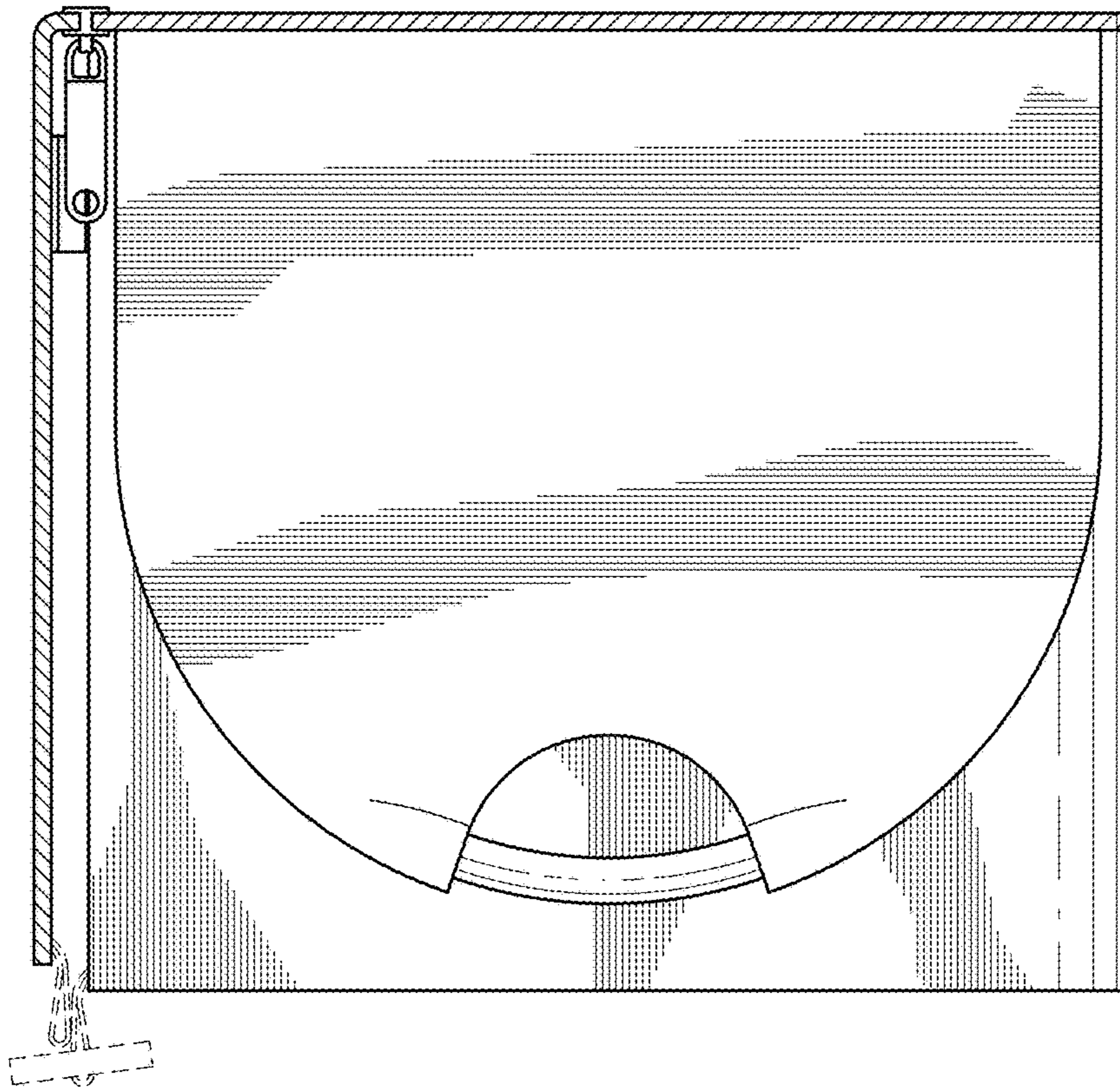
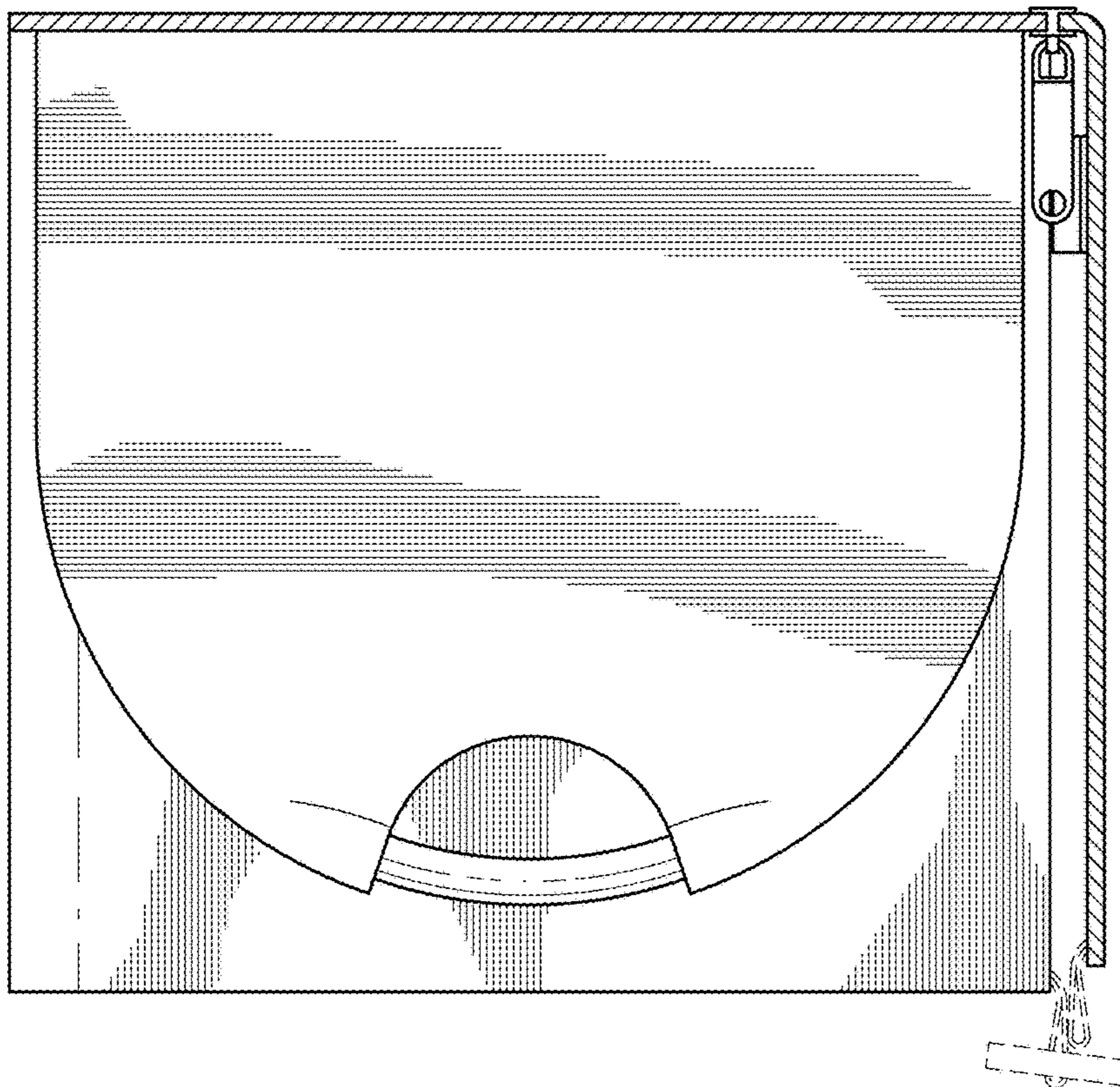


FIG. 5



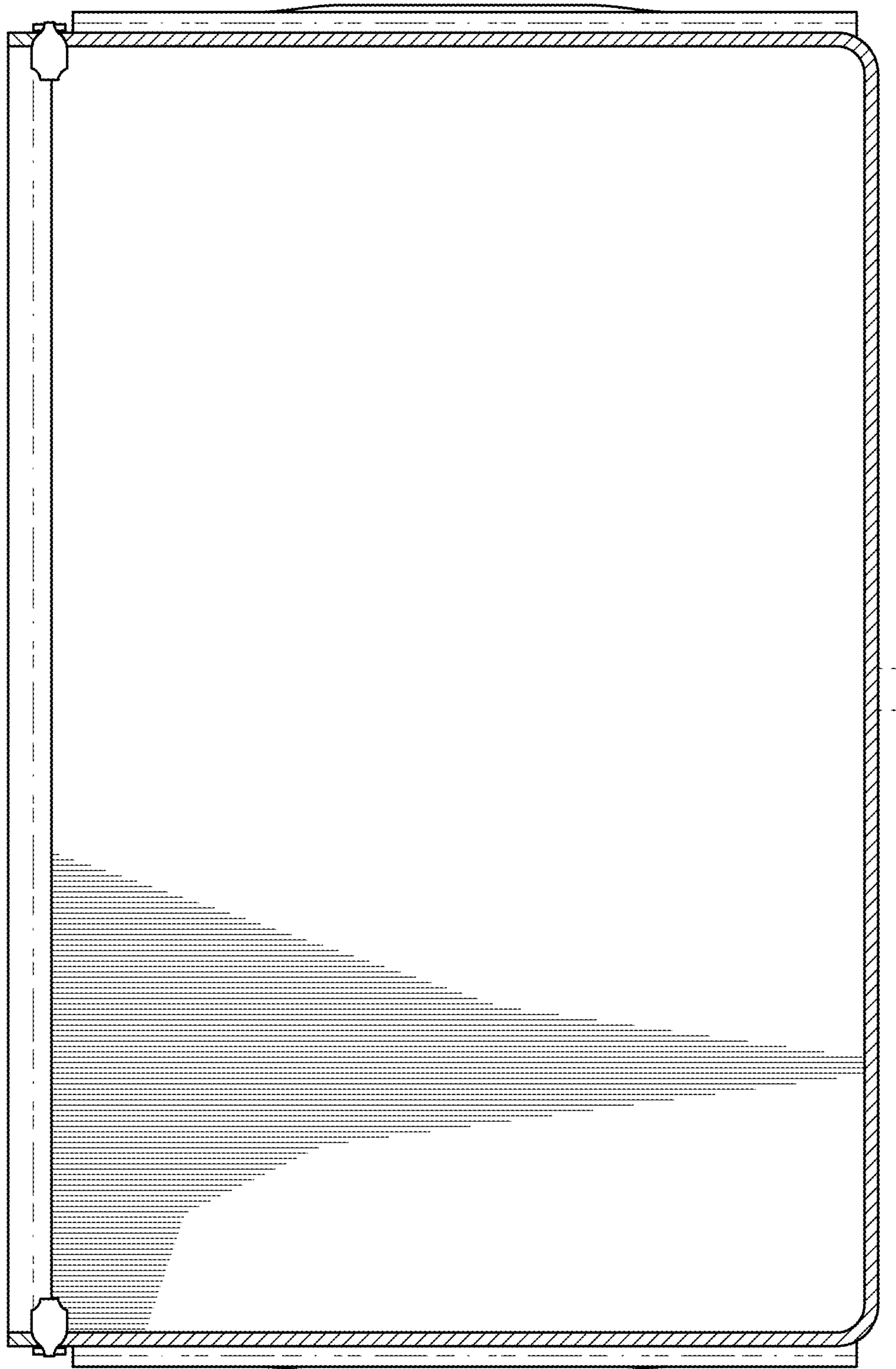


FIG. 6

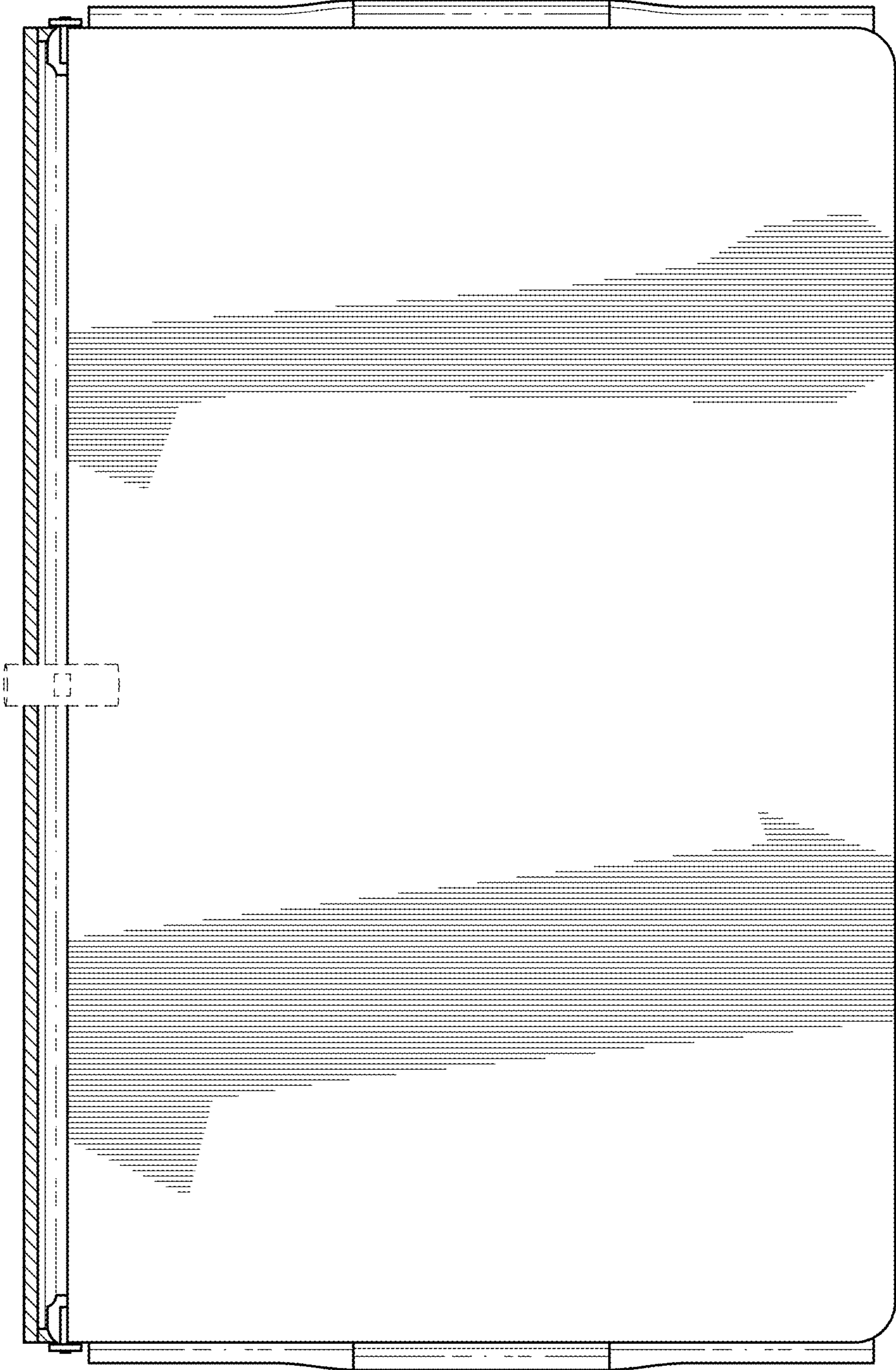
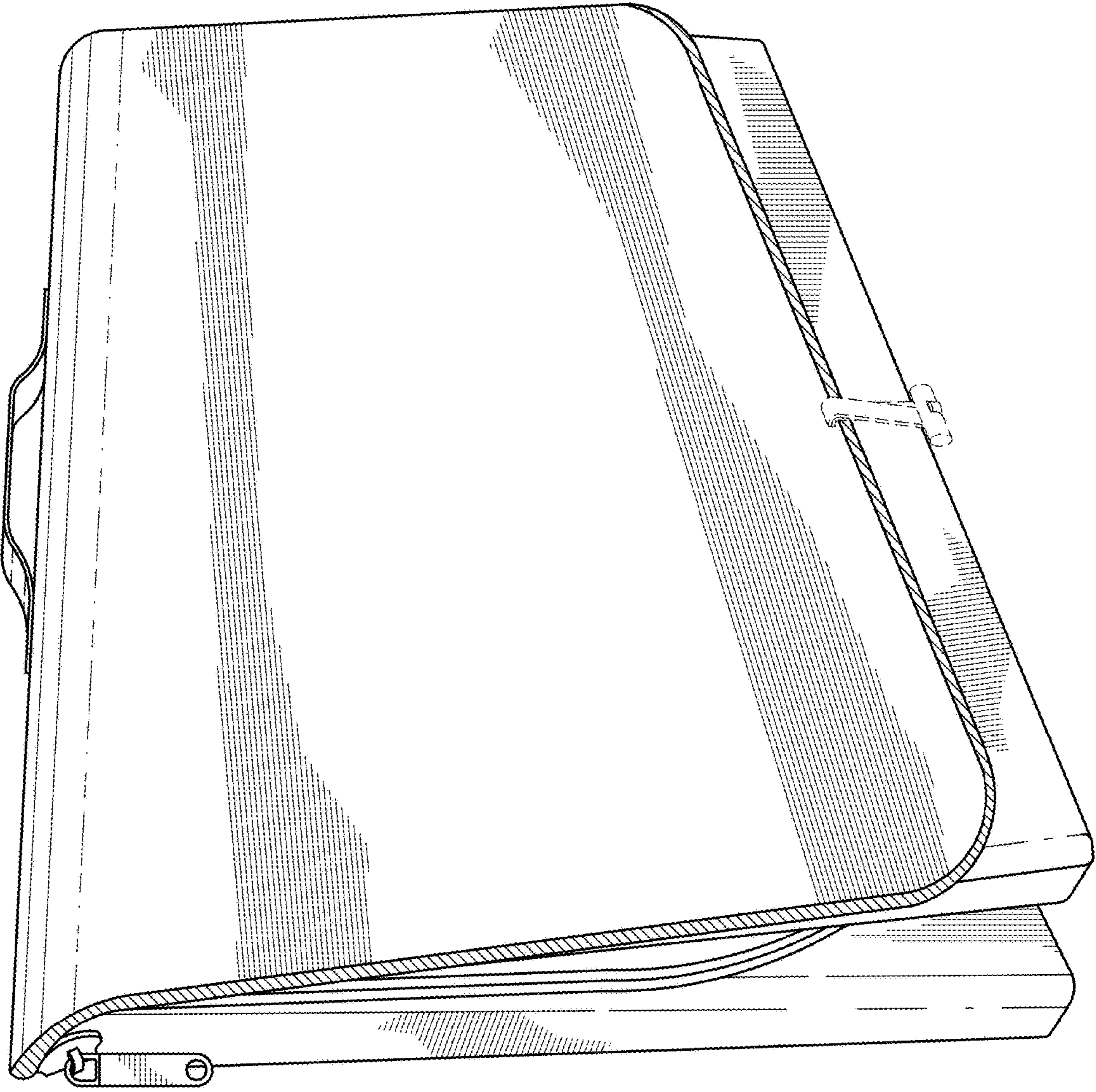


FIG. 7

FIG. 8



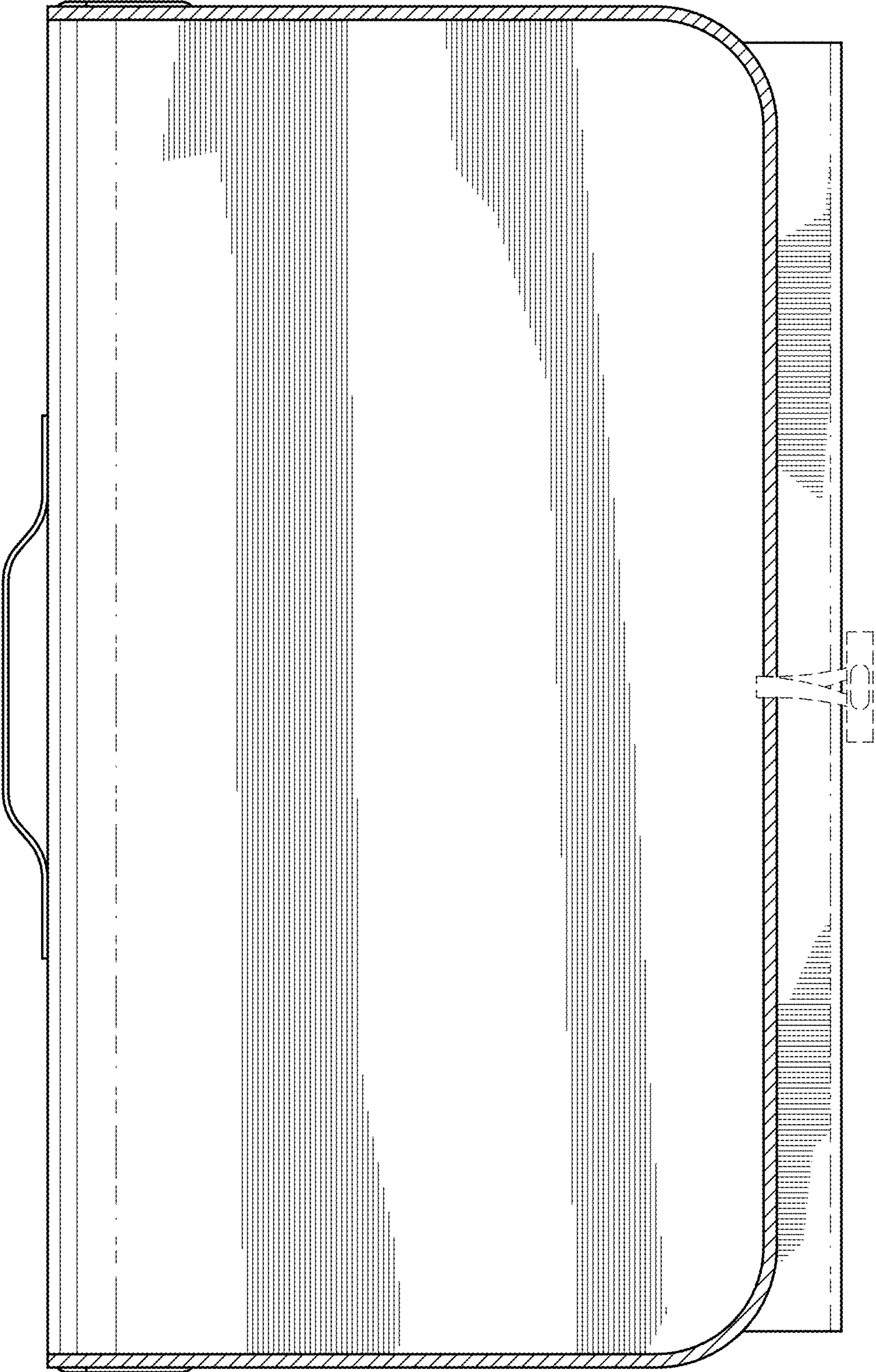


FIG. 9

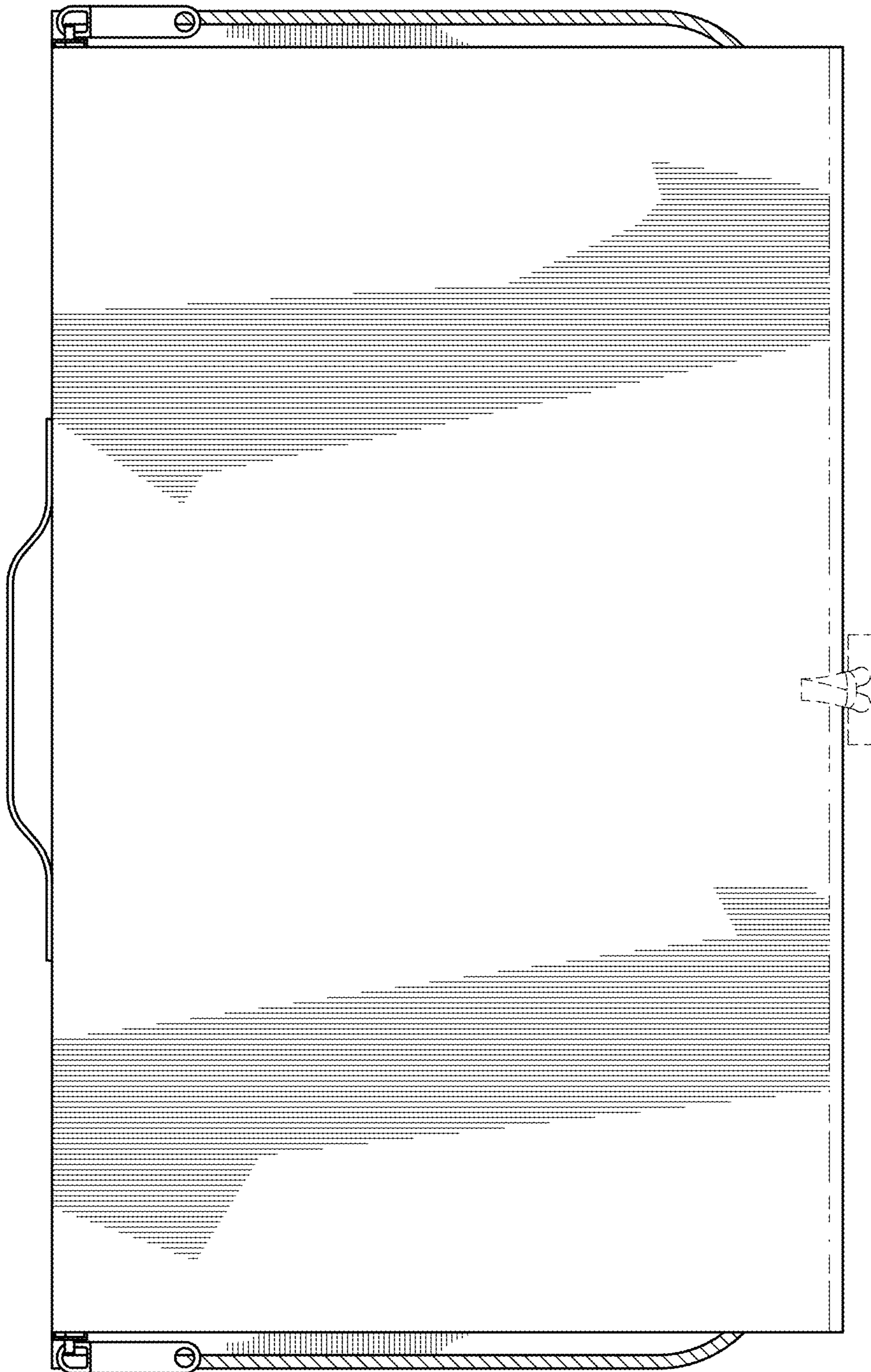


FIG. 10

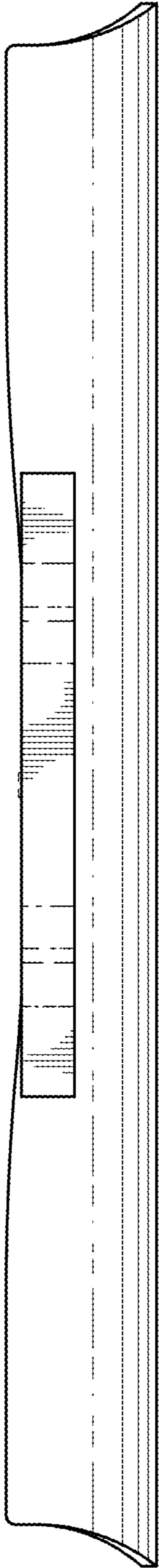


FIG. 11

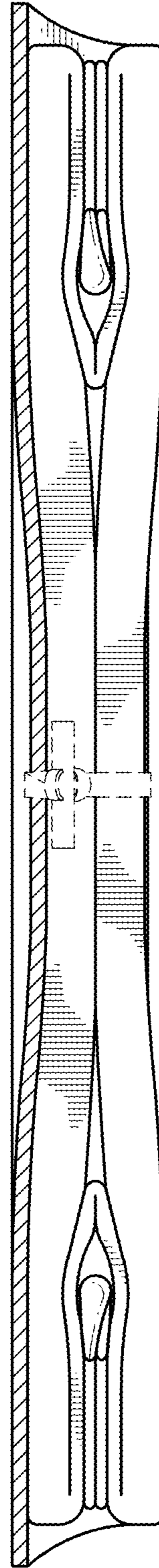


FIG. 12

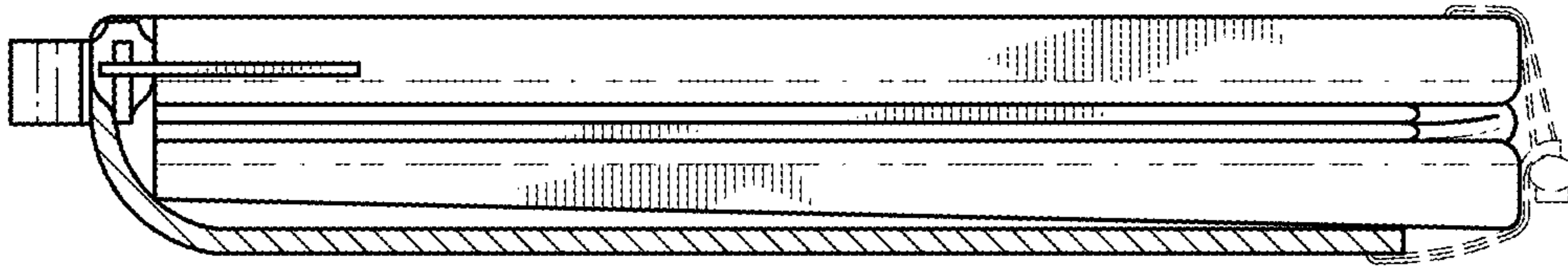


FIG. 14

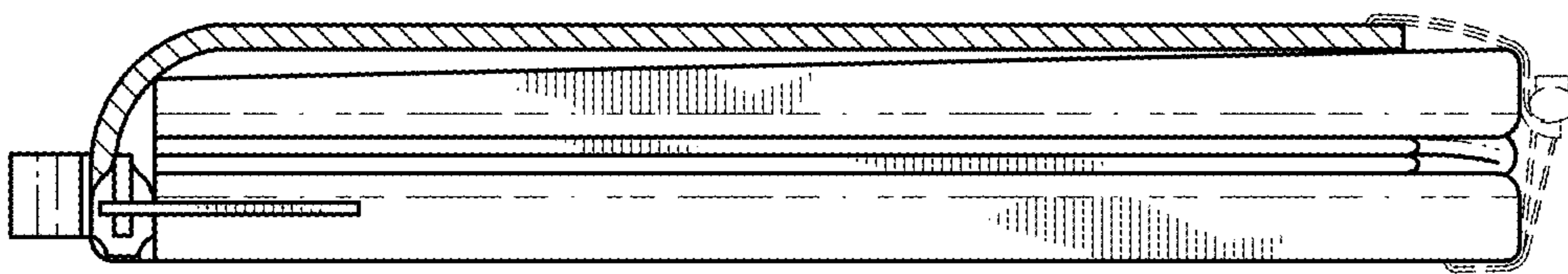


FIG. 13

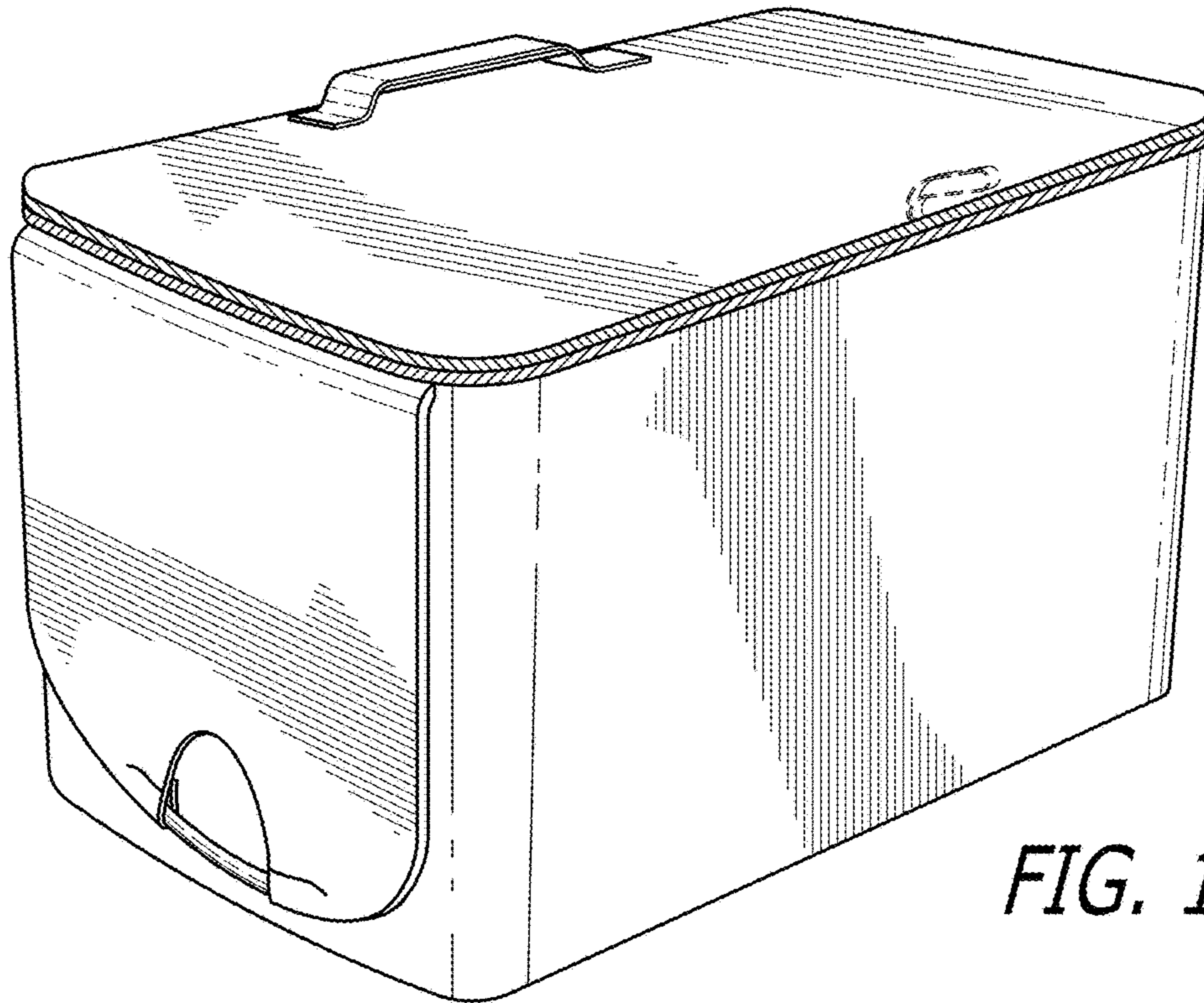


FIG. 15

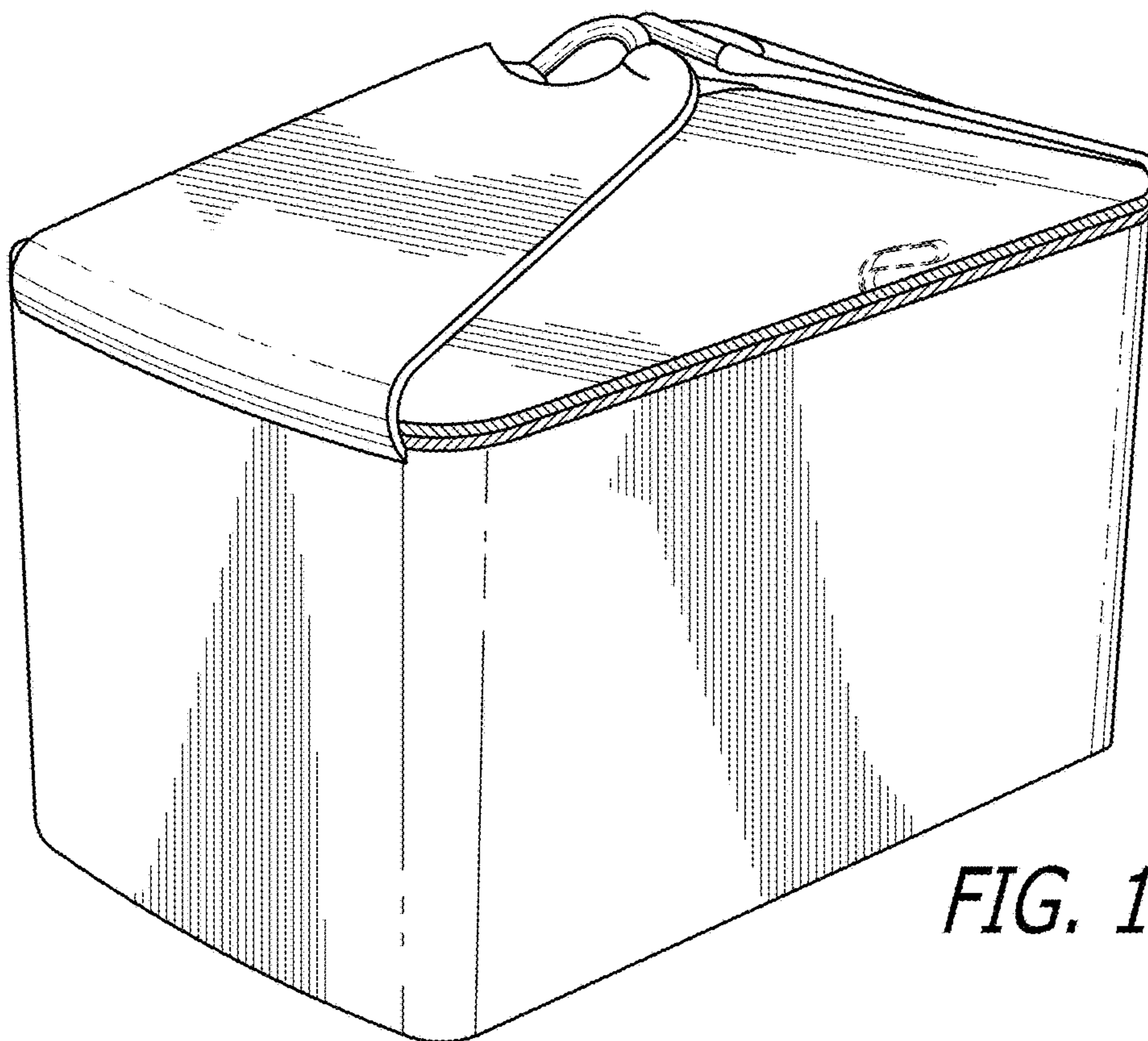


FIG. 16