



US00D817638S

(12) **United States Design Patent** (10) **Patent No.:** **US D817,638 S**  
**Salander et al.** (45) **Date of Patent:** **\*\* May 15, 2018**

(54) **LUGGAGE**  
(71) Applicant: **Samsonite IP Holdings S.a r.l.**,  
Luxembourg (LU)  
(72) Inventors: **Mark Tyler Salander**, Little Compton,  
RI (US); **Leticia Suarez-Lamus**, East  
Providence, RI (US); **Herminio Jose**  
**Cardona Rivera**, Barrington, RI (US)

D299,589 S 1/1989 Uchiyama  
D312,352 S 11/1990 King  
5,379,870 A 1/1995 Sadow  
5,407,038 A 4/1995 Pedlar  
D360,756 S 8/1995 King  
D375,199 S 11/1996 Stokes et al.  
D383,603 S 9/1997 Pedlar  
D383,905 S 9/1997 Stokes et al.

(Continued)

**FOREIGN PATENT DOCUMENTS**

(73) Assignee: **Samsonite IP Holdings S.a.r.l.**,  
Luxembourg (LU)

CN 2904733 Y 5/2007  
CN 201175054 Y 1/2009

(Continued)

(\*\*) Term: **15 Years**

**OTHER PUBLICATIONS**

(21) Appl. No.: **29/552,174**

(22) Filed: **Jan. 20, 2016**

Altman Luggage. Rimow Salsa Delux Business Multiwheel 29L 83040. Retrieved Oct. 27, 2016. (<https://www.altmanluggage.com/rimowa830404.php>).\*

(51) **LOC (11) Cl.** ..... **03-01**

(52) **U.S. Cl.**  
USPC ..... **D3/279**

(Continued)

(58) **Field of Classification Search**  
USPC ..... D3/272, 273, 276, 279, 281, 282, 289,  
D3/291, 292, 294, 298, 301, 321, 322,  
D3/900, 905  
CPC .... A45C 5/00; A45C 5/02; A45C 5/03; A45C  
5/04; A45C 5/14; A45C 5/141; A45C  
5/146; A45C 7/0018; A45C 2005/032;  
A45C 2005/035; A45C 2005/037; A45C  
2005/142; A45C 2005/148; A45C  
2200/15

*Primary Examiner* — Jennifer Rivard  
*Assistant Examiner* — Jerry Hsu

(74) *Attorney, Agent, or Firm* — Dorsey & Whitney LLP

See application file for complete search history.

(57) **CLAIM**

The ornamental design for a luggage, as shown and described.

(56) **References Cited**

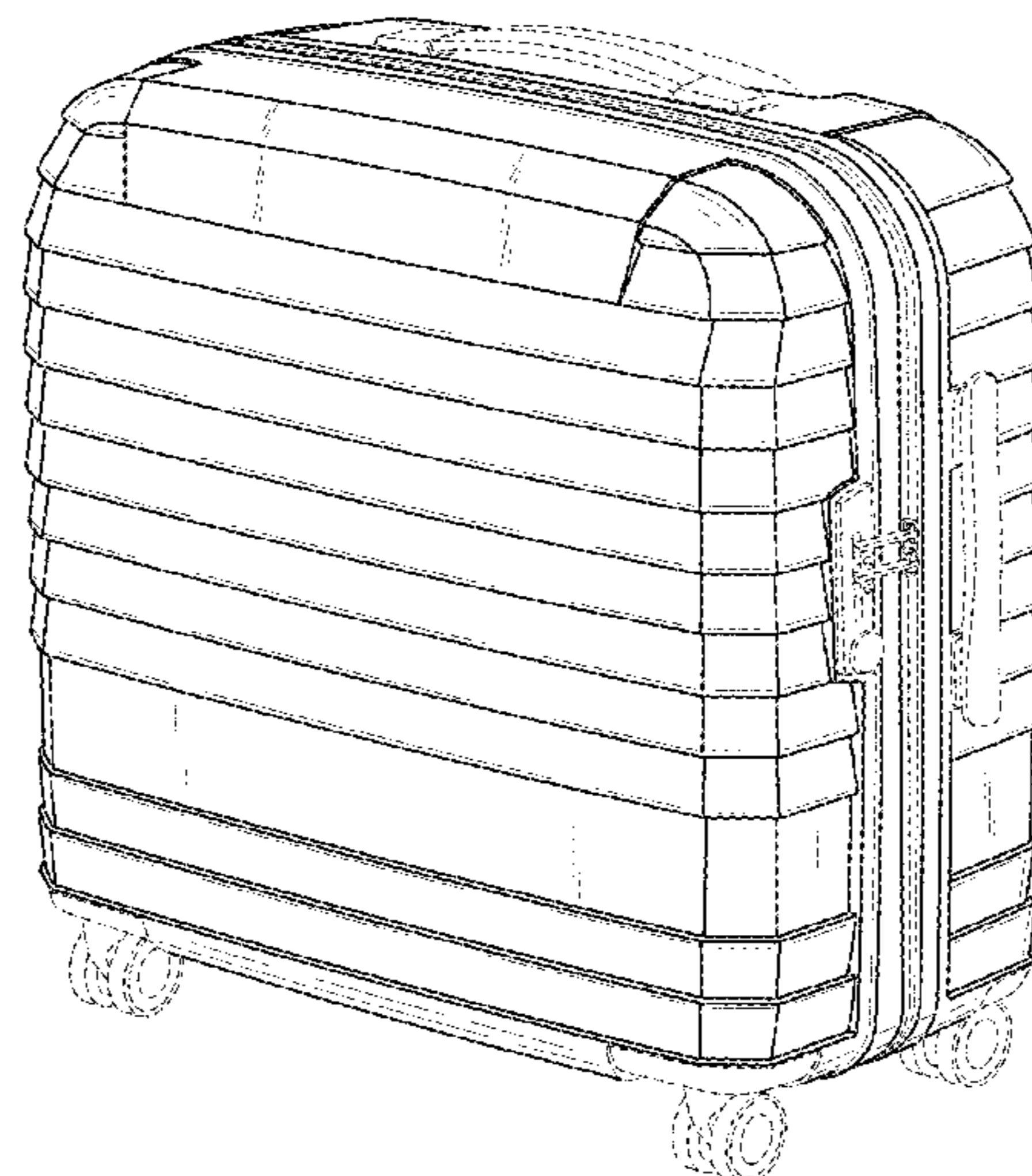
**U.S. PATENT DOCUMENTS**

1,649,292 A 11/1927 Draper  
3,044,215 A 7/1962 Crousore  
3,313,382 A 4/1967 Rosing et al.  
D218,080 S \* 7/1970 Sierzega ..... D3/297  
D249,234 S 9/1978 Limon et al.  
4,113,095 A 9/1978 Dietz et al.  
D272,870 S 3/1984 Miles et al.

**DESCRIPTION**

FIG. 1 shows a front perspective view of a luggage;  
FIG. 2 shows a front elevation view thereof;  
FIG. 3 shows a rear elevation view thereof;  
FIG. 4 shows a right elevation view thereof;  
FIG. 5 shows a left elevation view thereof;  
FIG. 6 shows a top view thereof; and,  
FIG. 7 shows a bottom view thereof.  
The broken lines in FIGS. 1-7 illustrate portions of a luggage and form no part of the claimed invention.

**1 Claim, 7 Drawing Sheets**



(56)

References Cited

U.S. PATENT DOCUMENTS

5,685,403 A \* 11/1997 Morszeck ..... A45C 5/14  
190/126

D402,463 S 12/1998 Mettler

5,924,533 A 7/1999 Cnockaert et al.

D418,677 S 1/2000 Sijmons

D425,301 S 5/2000 Sagol

D435,967 S 1/2001 Tiramani et al.

D438,381 S 3/2001 Sijmons

6,345,709 B1 2/2002 Cheng

D454,430 S 3/2002 Sijmons

6,367,603 B1 4/2002 Tiramani et al.

D462,169 S 9/2002 Giovanni

D463,910 S 10/2002 Tchan

6,499,575 B1 12/2002 Tsai

6,533,086 B1 3/2003 Waddell et al.

D472,705 S 4/2003 Van Himbeek

6,627,271 B1 9/2003 Okazaki

D512,566 S 12/2005 Nuovo et al.

D525,031 S 7/2006 Miles et al.

7,143,878 B2 12/2006 Selvi

D540,036 S 4/2007 Newson

D540,540 S 4/2007 Szyf et al.

D547,549 S 7/2007 Johansson et al.

7,293,649 B2 11/2007 Gelpman et al.

D563,101 S 3/2008 Kuchler

D581,666 S 12/2008 Sijmons

D582,160 S 12/2008 Sijmons

D587,902 S 3/2009 Yoneno

D613,054 S \* 4/2010 Morszeck ..... D3/205

D627,162 S 11/2010 Weng

7,832,533 B2 11/2010 Selvi

D629,199 S 12/2010 Minneman

D629,200 S 12/2010 Turella-Yuan et al.

D633,716 S 3/2011 Turella-Yuan et al.

D639,555 S 6/2011 Moon

D642,379 S 8/2011 Buller

D644,434 S 9/2011 Miles et al.

D644,435 S 9/2011 Weng

D659,395 S 5/2012 Sijmons

D664,355 S 7/2012 Moon

D665,998 S 8/2012 Sijmons

D666,000 S 8/2012 Gifford

D675,018 S 1/2013 Roberts

D678,676 S 3/2013 Bettua et al.

8,663,531 B2 3/2014 De Taeye et al.

D709,696 S \* 7/2014 Wu ..... D3/279

D710,610 S 8/2014 Sijmons et al.

D711,104 S 8/2014 Lai

D711,646 S 8/2014 Ke

D711,649 S 8/2014 Chen

8,800,807 B2 8/2014 Alvares

D718,048 S \* 11/2014 Hsu ..... D3/273

D718,049 S \* 11/2014 Hsu ..... D3/273

D718,051 S 11/2014 Soren et al.

D720,928 S 1/2015 Roncato

D722,771 S \* 2/2015 Wu ..... D3/279

9,016,449 B1 4/2015 Soboyejo

D732,823 S 6/2015 Baron

D740,557 S \* 10/2015 Liao ..... D3/279

D740,558 S \* 10/2015 Liao ..... D3/279

D741,600 S 10/2015 Della Vecchia

D755,518 S 5/2016 Sijmons

D762,977 S 8/2016 Xu

D768,985 S \* 10/2016 Morszeck ..... D3/279

D789,691 S 6/2017 Burns et al.

2004/0188205 A1 9/2004 Badaan

2005/0056511 A1 3/2005 Hsieh

2005/0183579 A1 8/2005 Bowers

2006/0201764 A1\* 9/2006 Morszeck ..... A45C 5/02  
190/125

2007/0209894 A1 9/2007 Selvi

2007/0237920 A1 10/2007 Schoulz

2007/0296117 A1 12/2007 Taeye et al.

2008/0223678 A1 9/2008 Godshaw et al.

2008/0308568 A1 12/2008 Grenier et al.

2011/0016018 A1 1/2011 Smith et al.

2011/0147386 A1 6/2011 Whalen et al.

2011/0155526 A1 6/2011 Cheng

2011/0186396 A1 8/2011 Sheikh

2011/0186398 A1 8/2011 Sheikh

2011/0284334 A1\* 11/2011 Cheng ..... A45C 13/002  
190/18 A

2016/0051022 A1\* 2/2016 Morszeck ..... A45C 5/02  
190/18 A

2016/0262510 A1 9/2016 Shalgi

FOREIGN PATENT DOCUMENTS

CN 202698065 U 1/2013

EM 000425285-0007 10/2005

EM 000615984-0001 11/2006

EM 000709019-0001 4/2007

EM 000945175-0001 6/2008

EM 000951454-0001 6/2008

EM 001003255-0001 9/2008

EM 001045520-0001 11/2008

EM 001651191-0001 12/2009

EM 001212856-0001 4/2010

EM 001236632-0001 9/2010

EM 001236632-0002 9/2010

EM 001236996-0001 9/2010

EM 001947789-0003 11/2011

EM 001988460-0001 2/2012

EM 002136127-0003 11/2012

EM 002136127-0004 11/2012

EM 002229815-0001 4/2013

EM 002310292-0005 10/2013

EM 002319996-0001 10/2013

EM 002344622-0002 11/2013

EM 002454595-0001 4/2014

EM 002454595-0002 4/2014

EM 002576728-0001 11/2014

EM 002576728-0012 11/2014

EM 002576728-0013 11/2014

EM 002619155-0001 1/2015

EM 002649558-0001 3/2015

EM 002684860-0001 4/2015

EM 002821082-0006 10/2015

EM 002872192-0003 11/2015

EM 002990390-0001 2/2016

EM 002990390-0002 2/2016

EM 003118371-0002 9/2016

EP 0106906 A1 5/1984

HK 1502398.1M006 11/2015

TW 277816 A 6/1996

OTHER PUBLICATIONS

“McQueen’s Quick Silver”, retrieved at [http://www.style.com/trends/blogs/style\\_file/shopping\\_news/index.html](http://www.style.com/trends/blogs/style_file/shopping_news/index.html), Jul. 17, 2008, 1 Page.

Author Unknown, “Suitcases Landor & Hawa (IT Luggage™)—the lowest prices in Moscow”, obtained at URL: [http://sumki-chemodani.ru/?page\\_id=103](http://sumki-chemodani.ru/?page_id=103), on Jul. 2, 2013, the product entitled “Suitcase Landor & Hawa (it luggage™) 00230253 spinner”, Russian version of web-page and English translation as provided in attachment, pp. 1-15.

\* cited by examiner

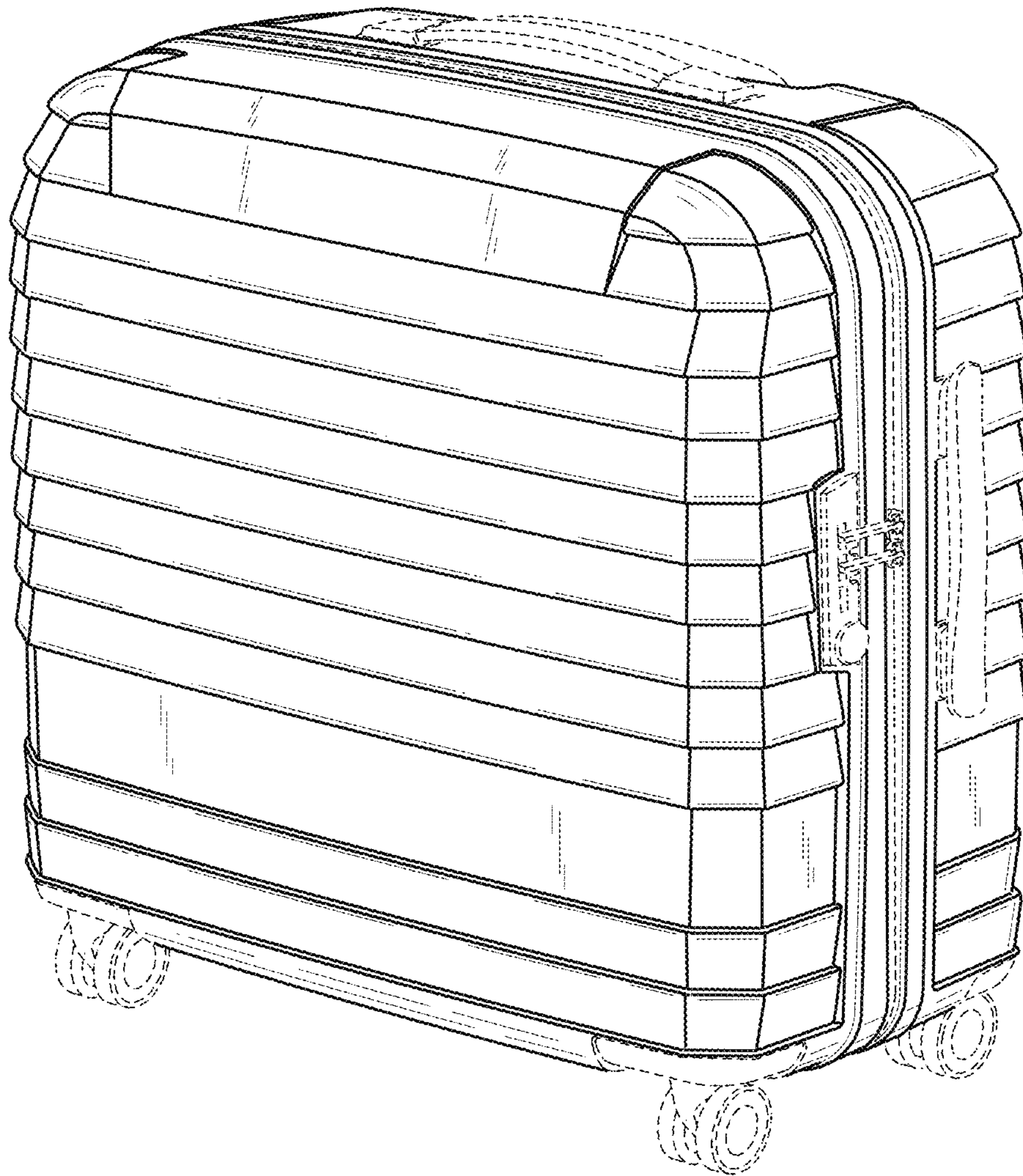


FIG. 1

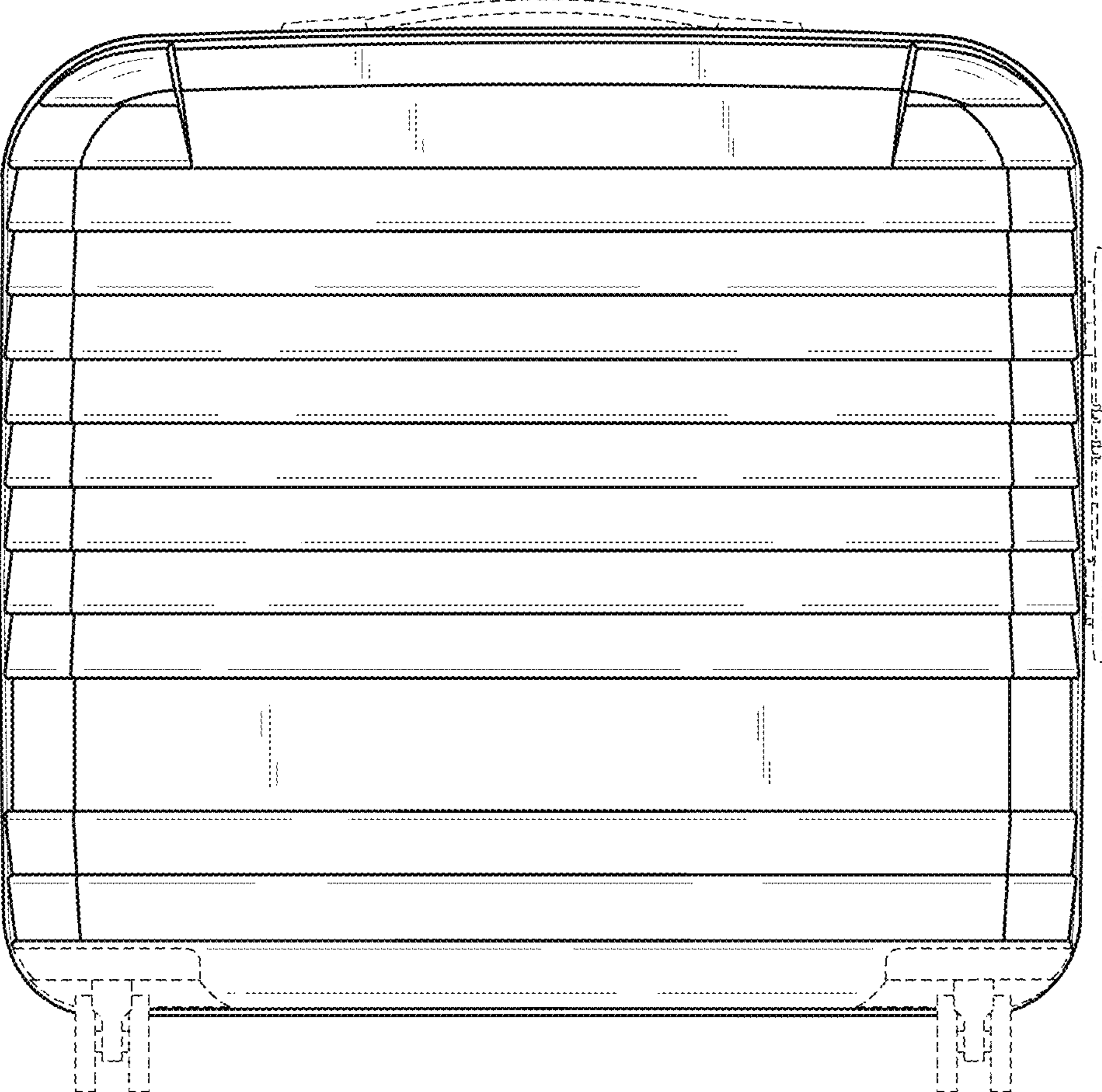


FIG. 2

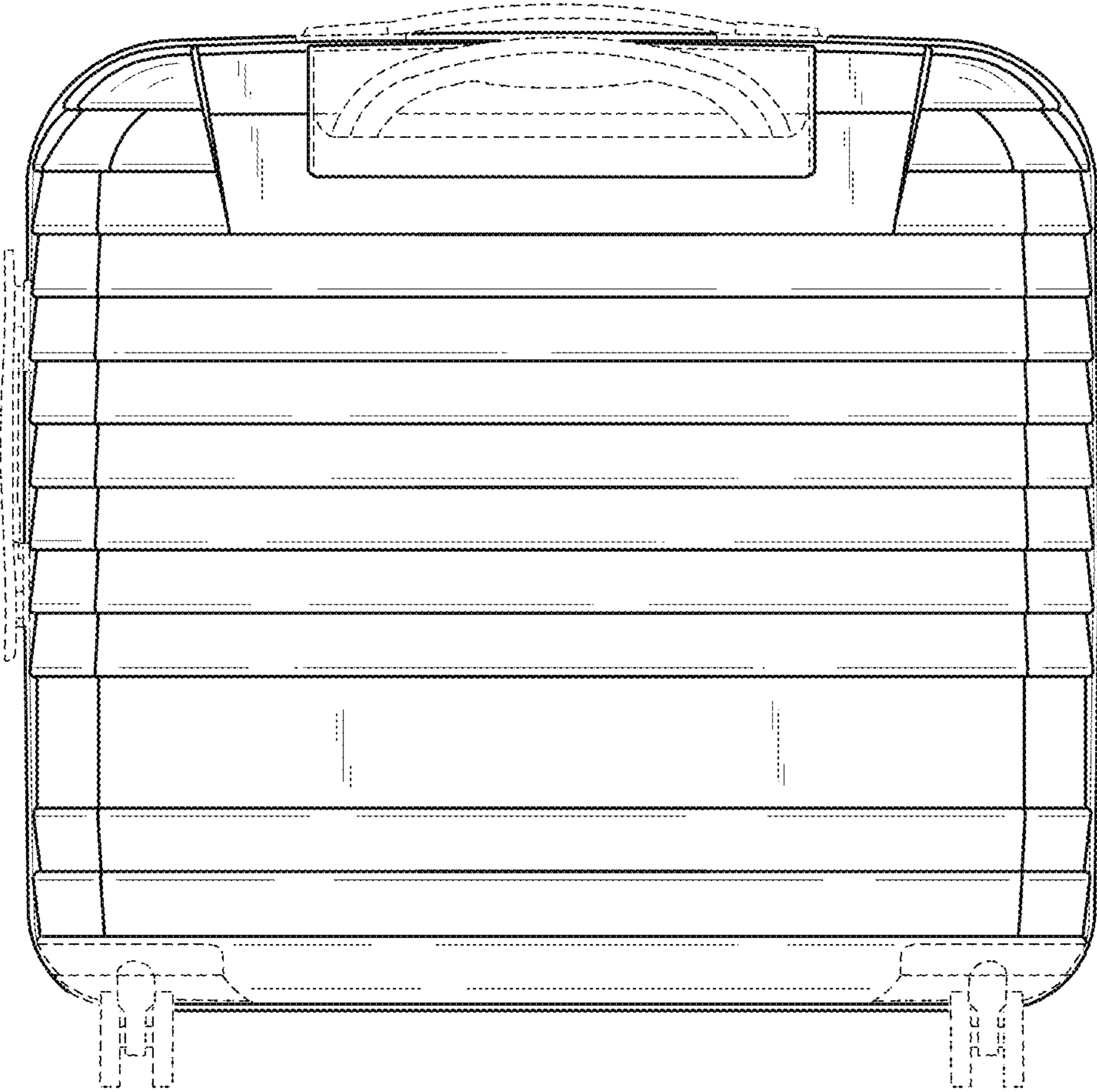


FIG. 3

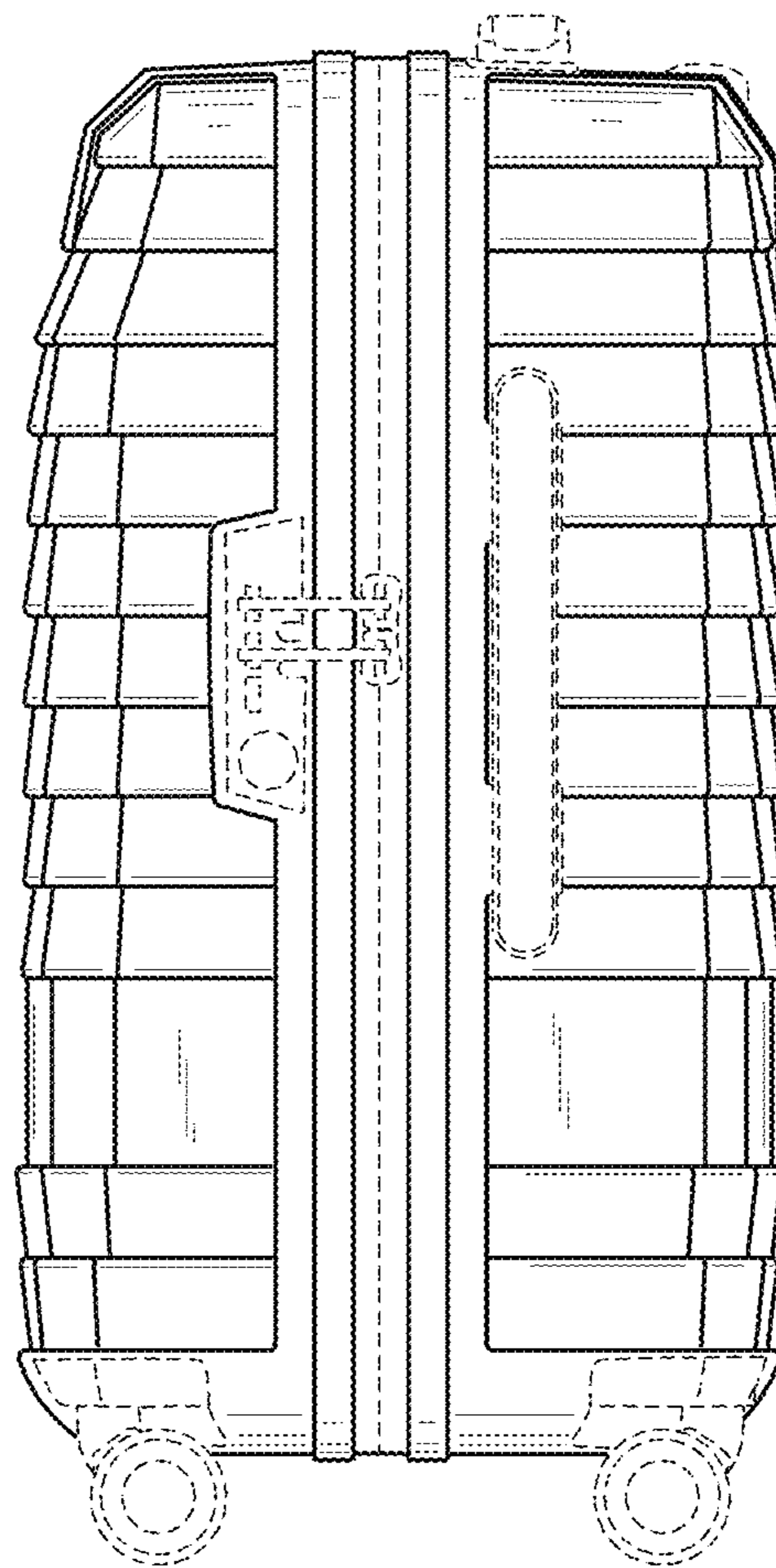


FIG. 4

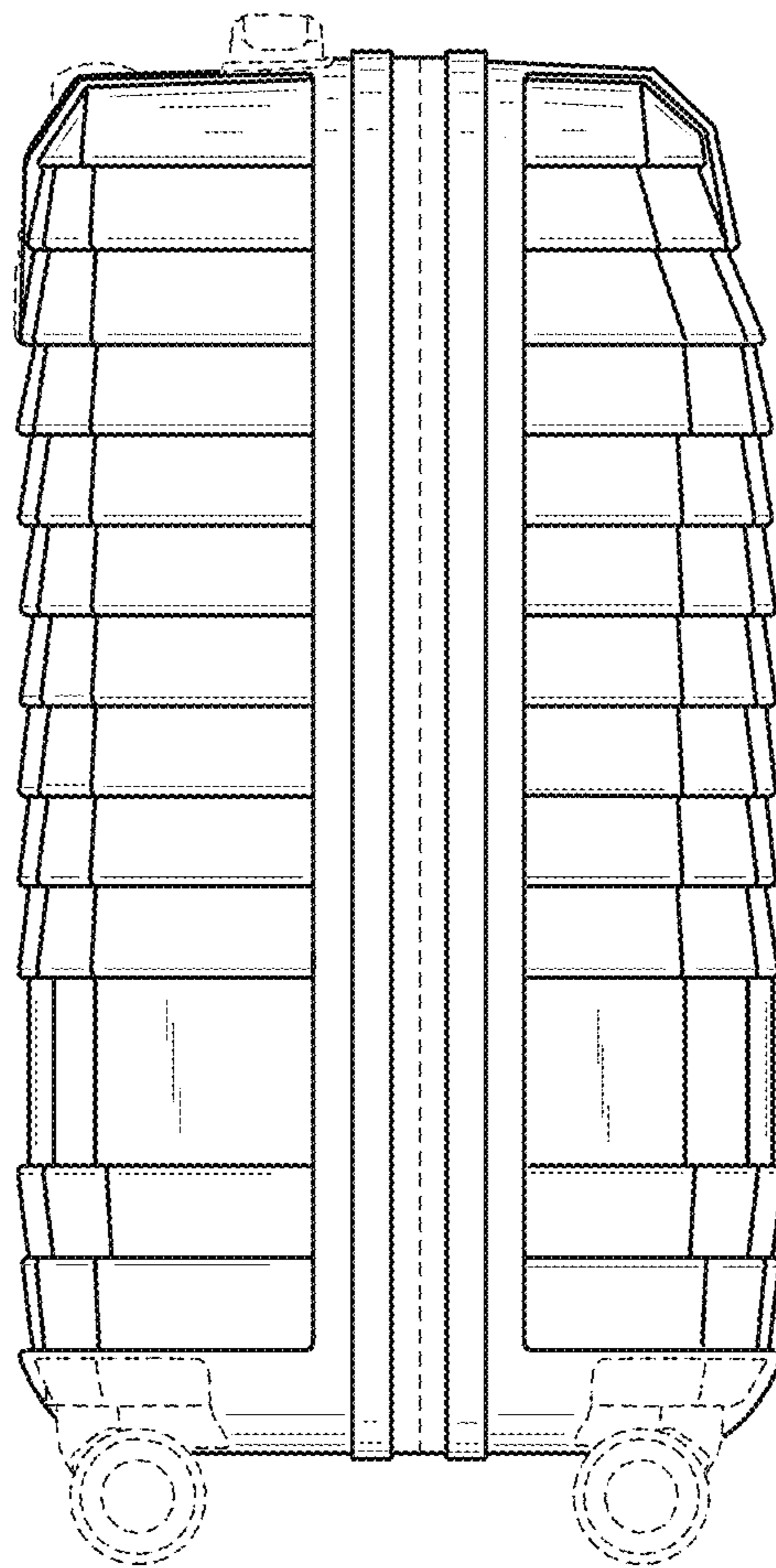


FIG. 5

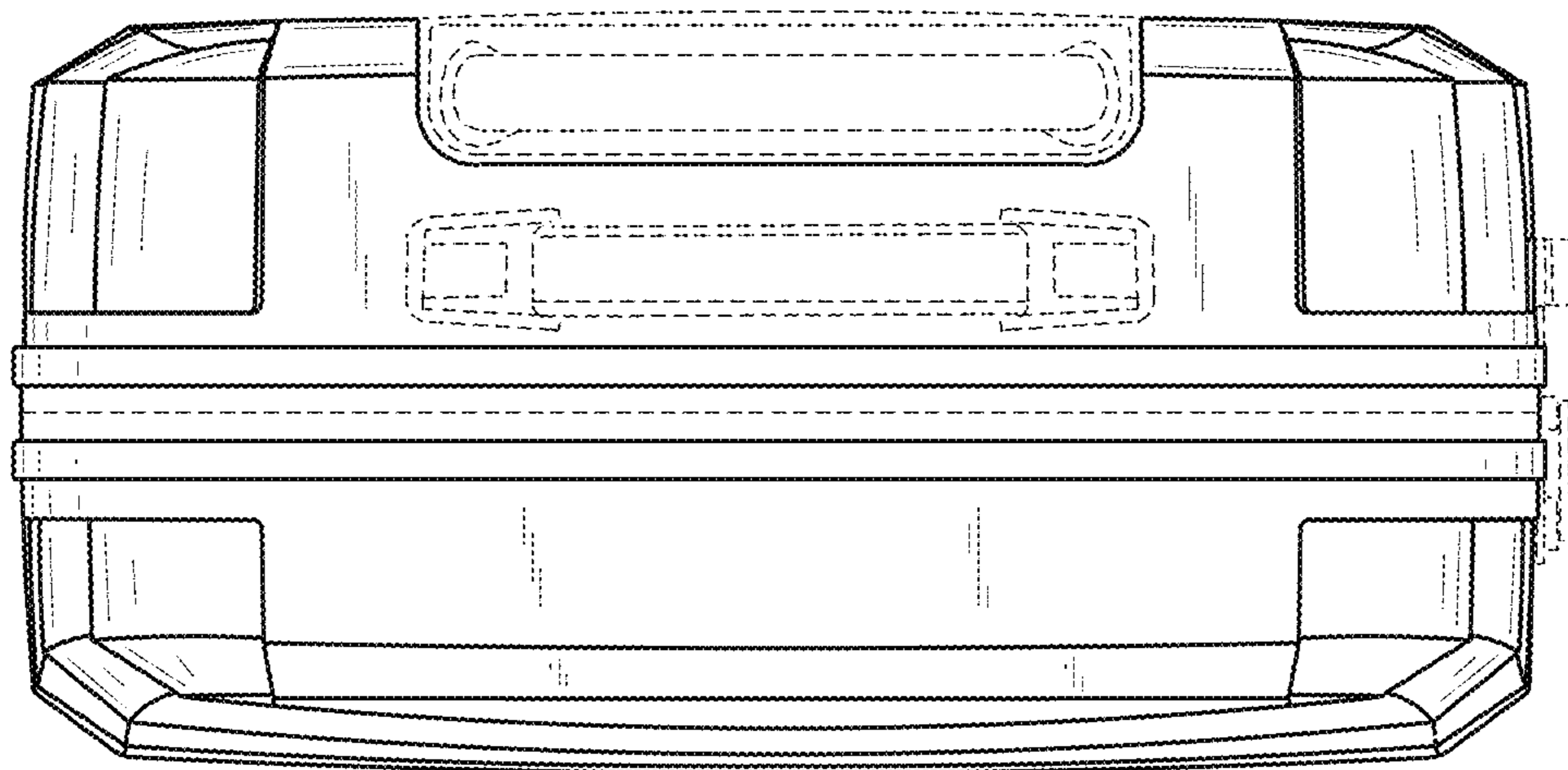


FIG. 6



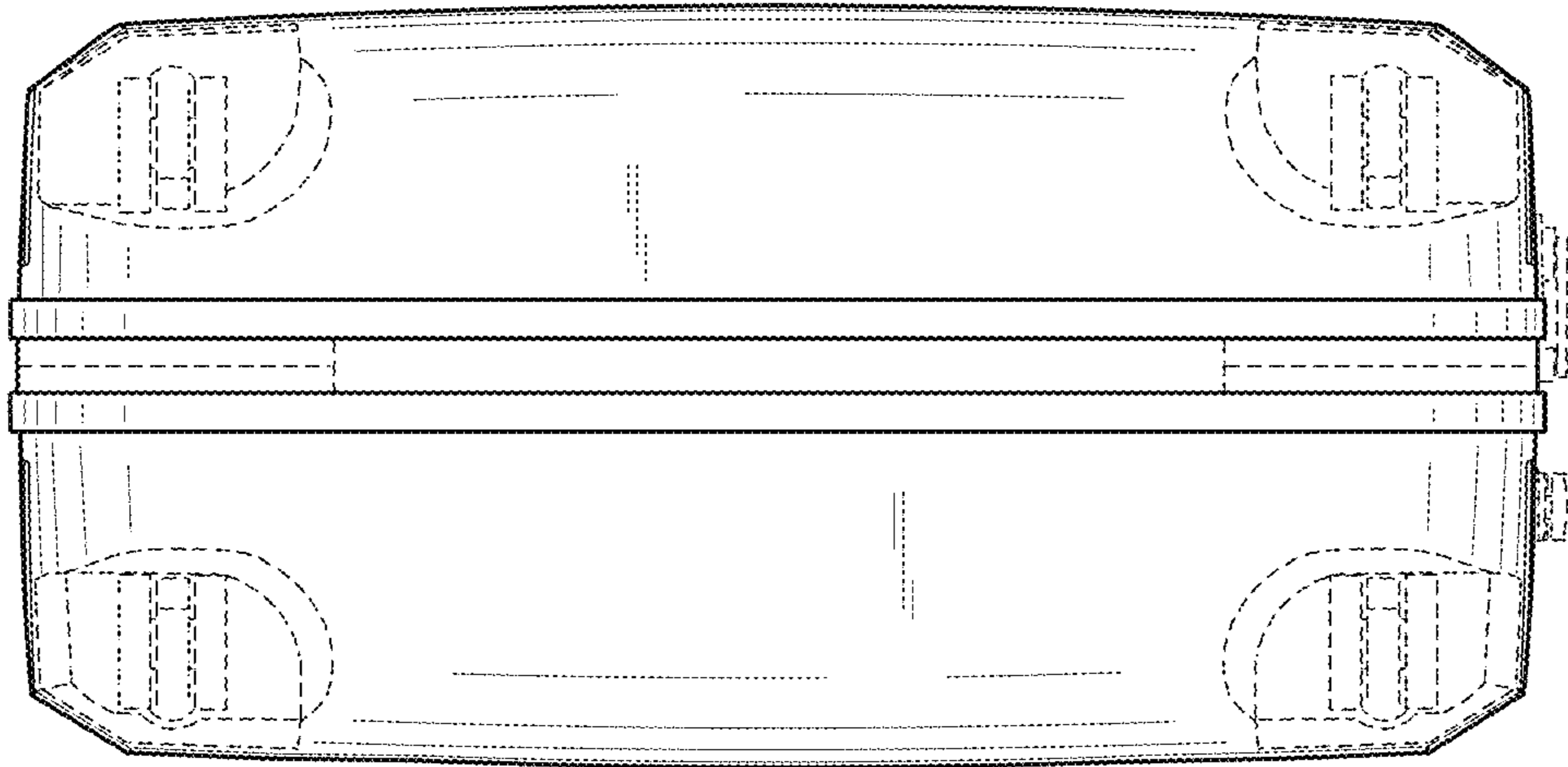


FIG. 7