



US00D817631S

(12) **United States Design Patent** (10) **Patent No.:** **US D817,631 S**
Weng (45) **Date of Patent:** **** May 15, 2018**

(54) **UMBRELLA BASE**
(71) Applicant: **Zhibo Weng**, Ningbo (CN)
(72) Inventor: **Zhibo Weng**, Ningbo (CN)
(**) Term: **15 Years**
(21) Appl. No.: **29/591,309**
(22) Filed: **Jan. 19, 2017**

(30) **Foreign Application Priority Data**

Aug. 11, 2016 (EP) 003337294

(51) **LOC (11) Cl.** **03-03**

(52) **U.S. Cl.**
USPC **D3/10**

(58) **Field of Classification Search**
USPC D3/5, 6, 10, 13, 14, 16
CPC ... A45B 11/00; A45B 3/00; A45B 2200/1009;
A45B 25/02; A45B 25/18; A45B 19/04;
A45B 2025/003; A45B 2023/0012; E04H
12/22; A47G 25/12
See application file for complete search history.

(56) **References Cited**

U.S. PATENT DOCUMENTS

D285,883 S * 9/1986 Tegze D3/10
D286,116 S * 10/1986 Tegze D3/10
D305,702 S * 1/1990 Taliani D3/10
D470,305 S * 2/2003 Clarke D3/10

D485,055 S * 1/2004 Taylor D3/10
D516,297 S * 3/2006 Smith D3/10
D568,603 S * 5/2008 Smith D3/10
D573,786 S * 7/2008 Smith D3/10
D578,749 S * 10/2008 Ng D3/10
D697,705 S * 1/2014 Ma D3/10
D721,481 S * 1/2015 Elazar D3/10
D724,309 S * 3/2015 Ma D3/10
D732,817 S * 6/2015 Elstow D3/10
D768,978 S * 10/2016 Ma D3/10
2017/0114563 A1 * 4/2017 Ye E04H 12/2238

* cited by examiner

Primary Examiner — John Windmuller

Assistant Examiner — Steven J Czyz

(74) *Attorney, Agent, or Firm* — Matthias Scholl, PC;
Matthias Scholl

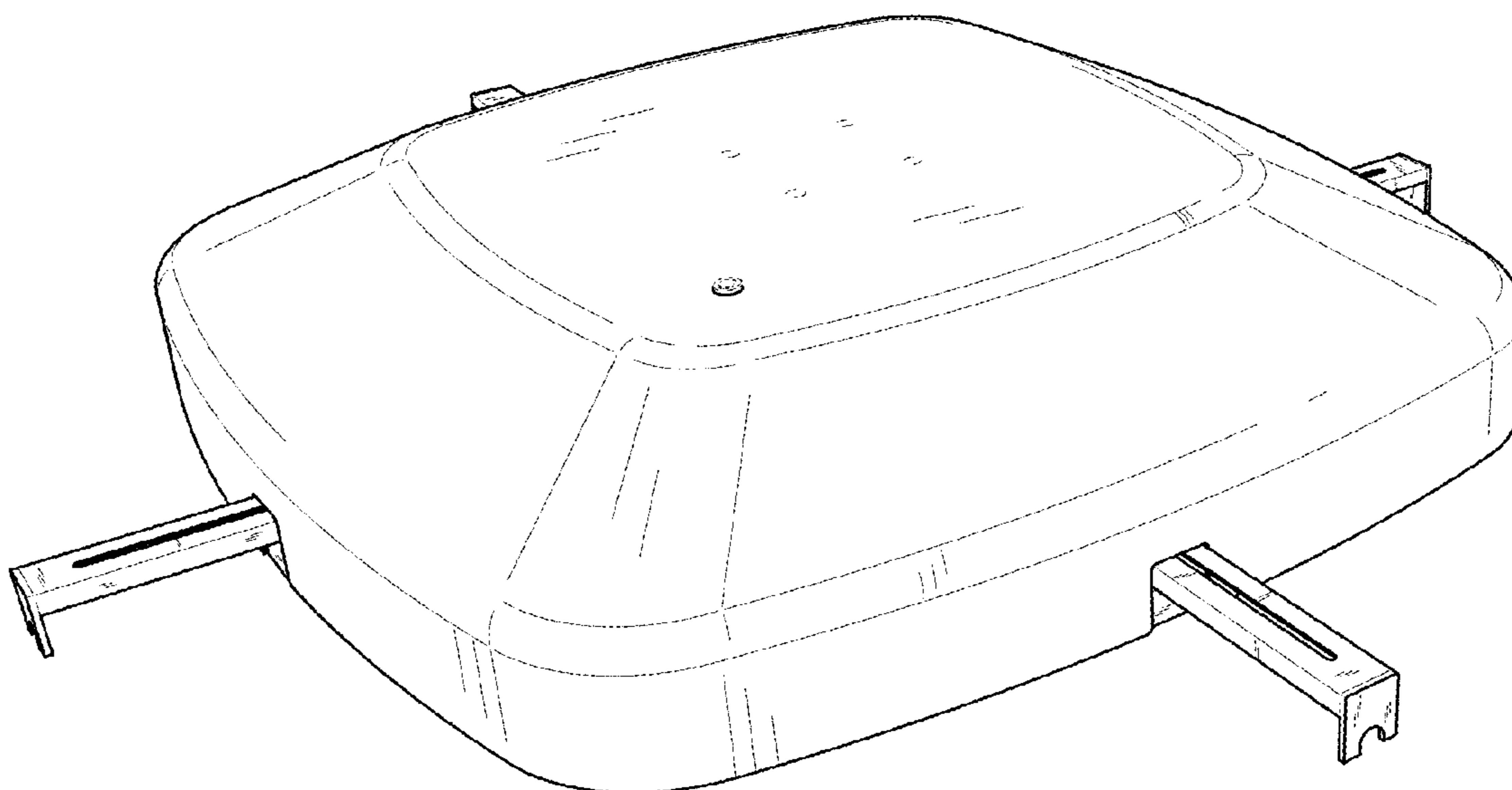
(57) **CLAIM**

The ornamental design for an umbrella base, as shown and described.

DESCRIPTION

FIG. 1 is a front elevation view of an umbrella base;
FIG. 2 is a rear elevation view thereof;
FIG. 3 is a left side elevation view thereof;
FIG. 4 is a right side elevation view thereof;
FIG. 5 is a top plan view thereof;
FIG. 6 is a bottom plan view thereof; and,
FIG. 7 is a perspective view thereof.
The broken lines depict portions of the article that form no part of the claimed design.

1 Claim, 7 Drawing Sheets



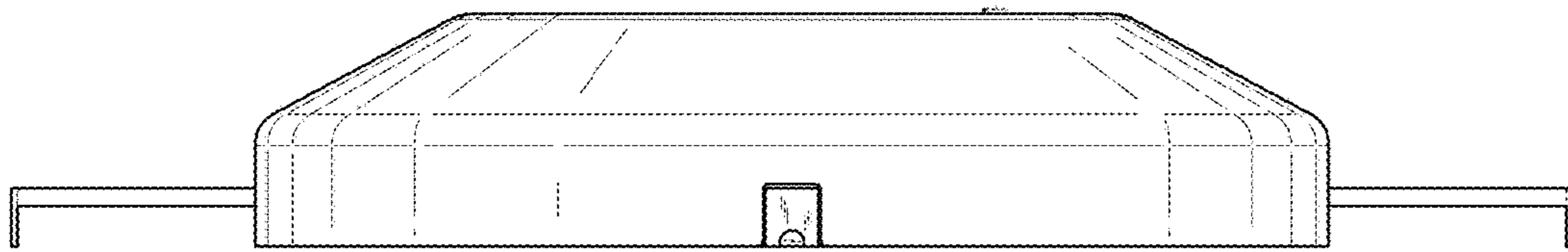


FIG. 1

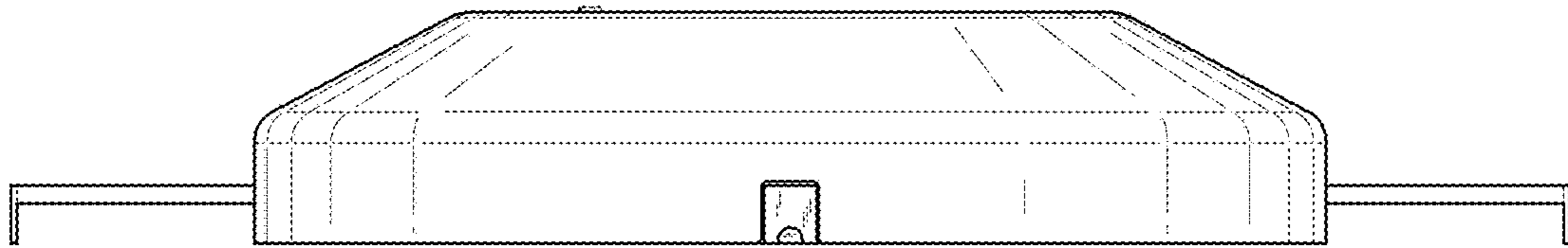


FIG. 2

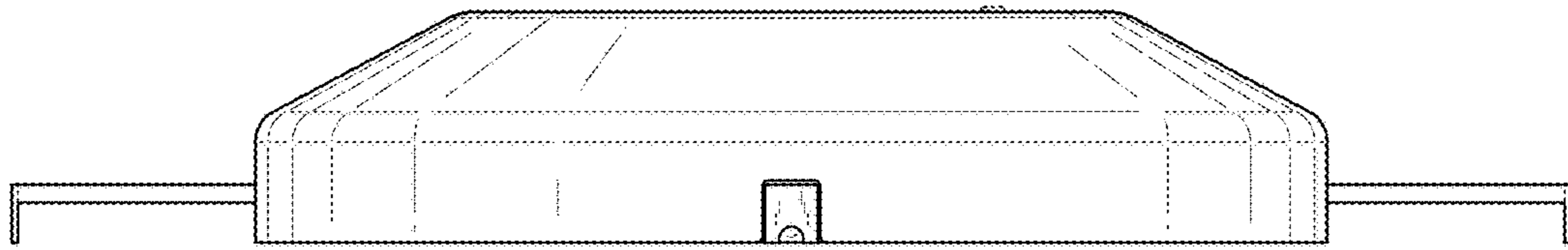


FIG. 3

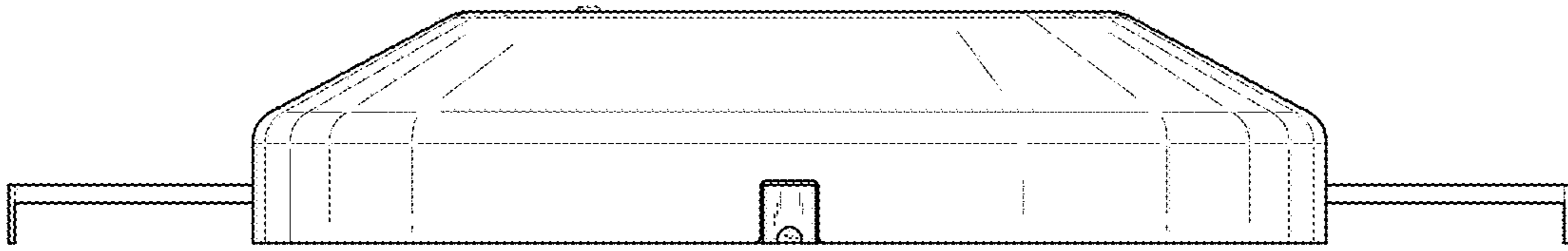


FIG. 4

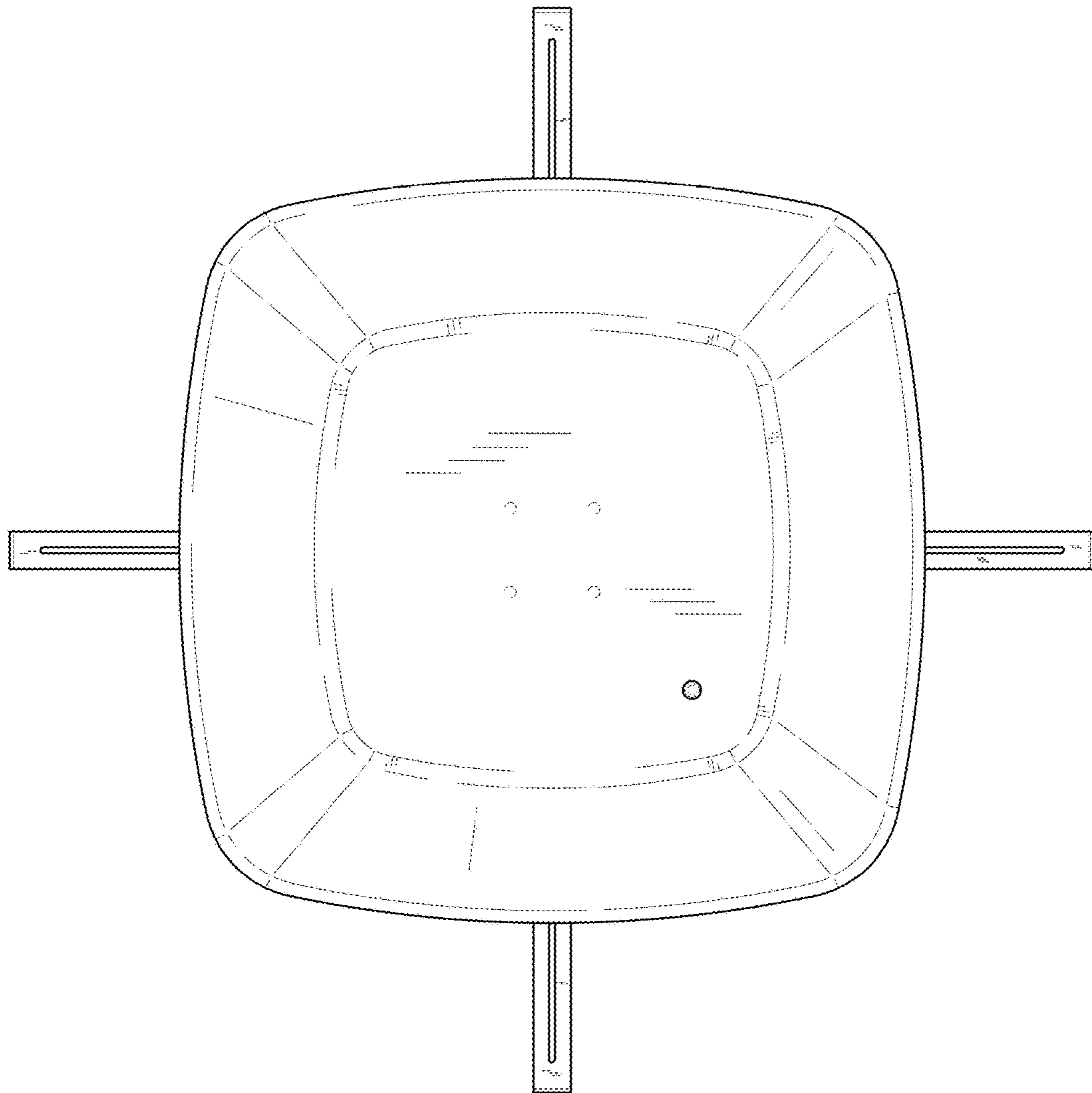


FIG. 5

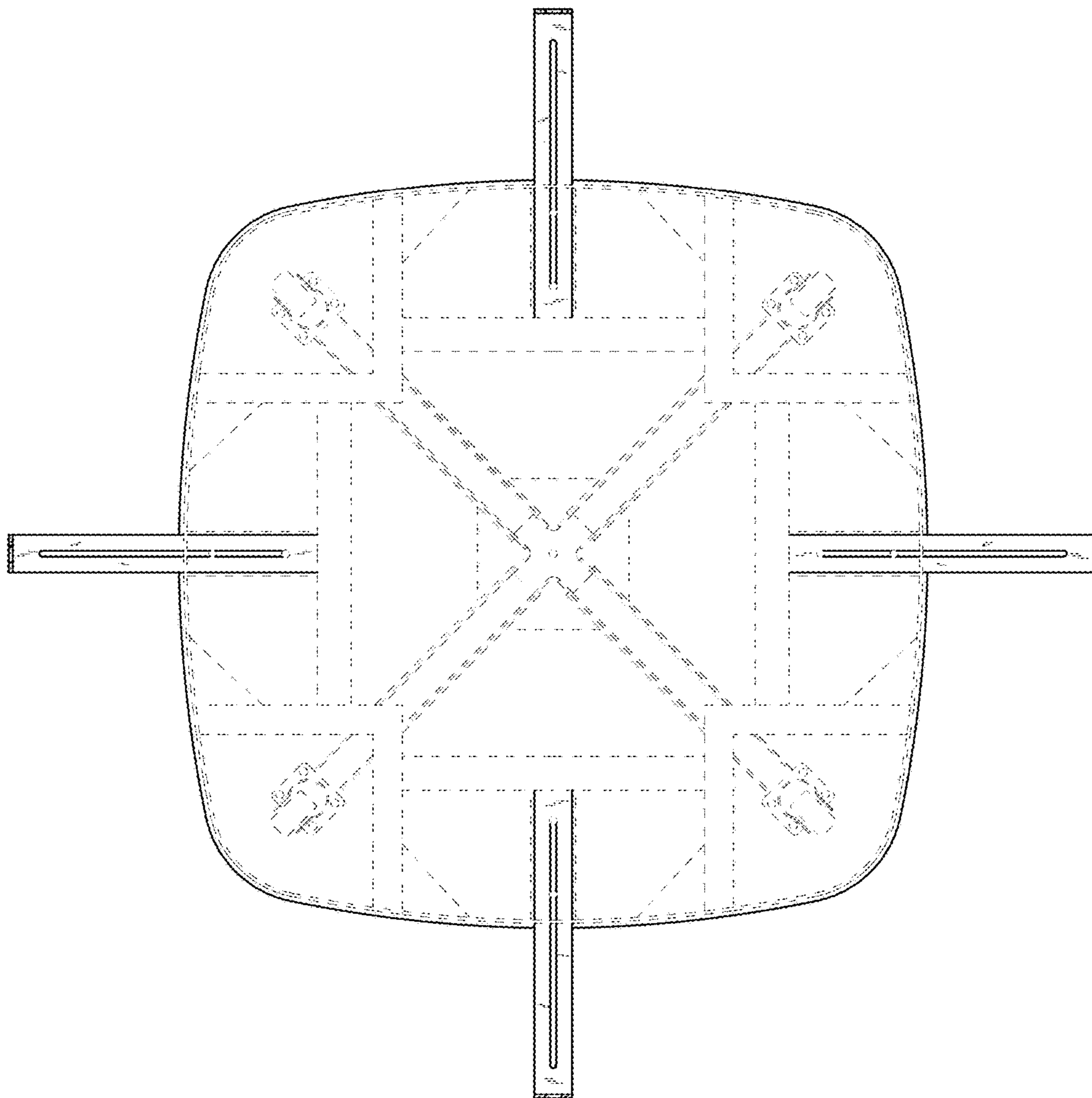


FIG. 6

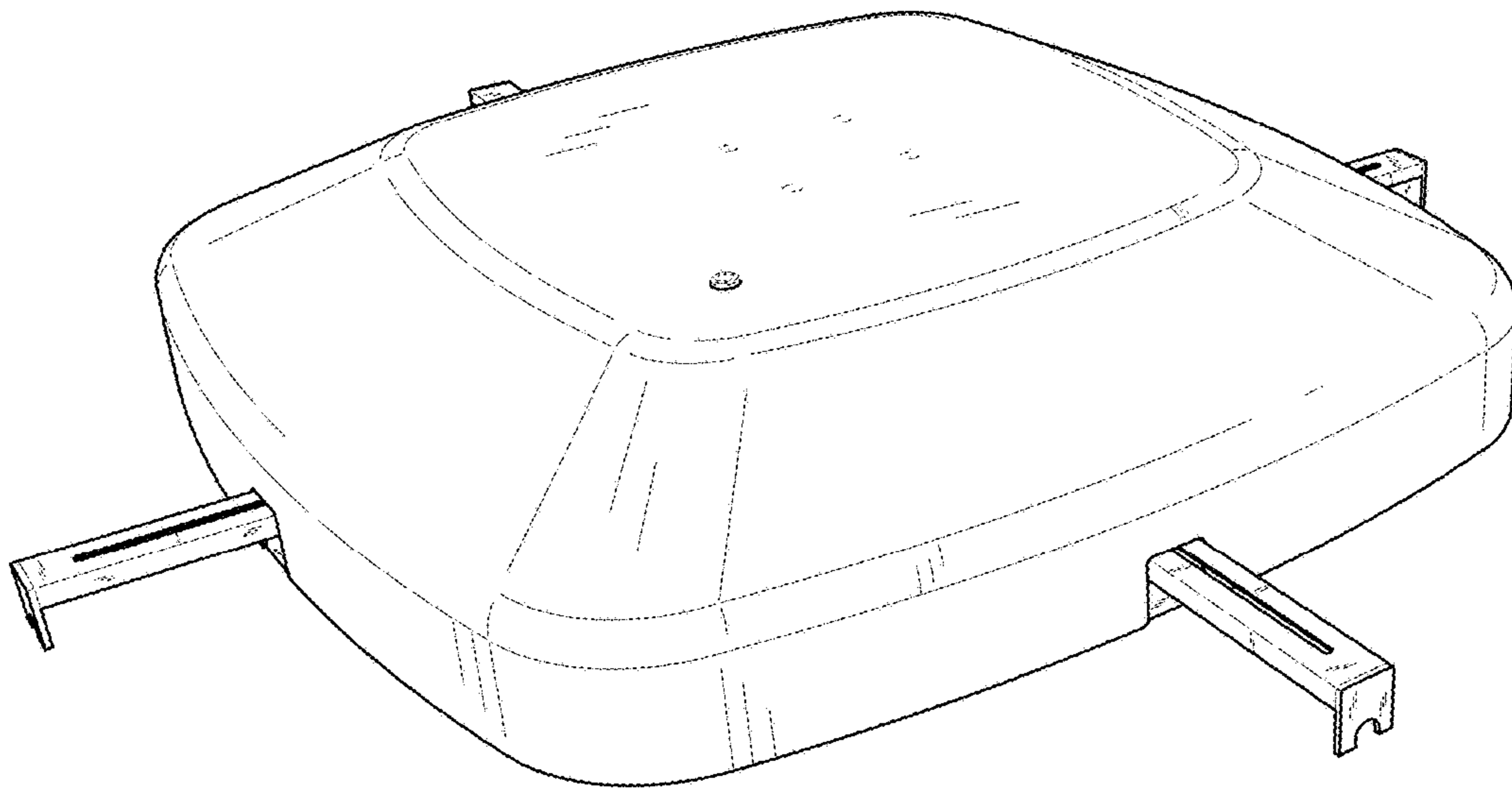


FIG. 7