



US00D817630S

(12) **United States Design Patent** (10) **Patent No.:** **US D817,630 S**
Baltz (45) **Date of Patent:** **** May 15, 2018**

(54) **ATTACHABLE SHOOTING REST FOR A WALKING STICK**

(71) Applicant: **Doc B's Attachable Shooting Rest, LLC, Neenah, WI (US)**

(72) Inventor: **Curtis C. Baltz, Neenah, WI (US)**

(73) Assignee: **Doc B's Attachable Shooting Rest, LLC, Neenah, WI (US)**

(**) Term: **15 Years**

(21) Appl. No.: **29/584,913**

(22) Filed: **Nov. 18, 2016**

(51) **LOC (11) Cl.** **03-03**

(52) **U.S. Cl.**
USPC **D3/10; D22/108**

(58) **Field of Classification Search**
USPC D3/10; D8/356, 396, 72, 395, 10, 103, D8/105, 106, 119, 308, 309, 310; D9/424, 453; D13/149, 154; D22/108; D24/143, 128
CPC F41A 23/00
See application file for complete search history.

(56) **References Cited**

U.S. PATENT DOCUMENTS

3,772,813	A *	11/1973	Sands	F41A 23/00
					42/94
D259,209	S *	5/1981	Gautama	D24/146
4,438,581	A *	3/1984	LaValle	F41A 23/00
					42/94
4,449,314	A *	5/1984	Sorensen	F41A 23/00
					211/64
D286,326	S *	10/1986	Gautam	D24/143
D338,065	S *	8/1993	Rose	D24/143
D339,195	S *	9/1993	Nash	248/229.13
D343,000	S *	1/1994	Olson	D24/143
D375,538	S *	11/1996	Minneman	D22/108

D381,388	S *	7/1997	Raia	D22/108
D381,745	S *	7/1997	Owens	D24/128
D382,035	S *	8/1997	Swicegood	D22/108
D437,640	S *	2/2001	Breda	D24/128
D453,862	S *	2/2002	Cormier	F23Q 25/00
					D28/55
D521,100	S *	5/2006	Morrow	D22/108
D605,246	S *	12/2009	Hobbs	D22/108
D626,221	S *	10/2010	Lillas	D24/128
D656,214	S *	3/2012	Howland	D22/108
D777,919	S *	1/2017	Patel	D24/147
D779,018	S *	2/2017	Zayatz	D22/108
D792,936	S *	7/2017	Eitan	D22/108
D792,937	S *	7/2017	Eitan	D22/108

* cited by examiner

Primary Examiner — John Windmuller

Assistant Examiner — Benjamin M Weeks

(74) *Attorney, Agent, or Firm* — Boyle Fredrickson S.C.

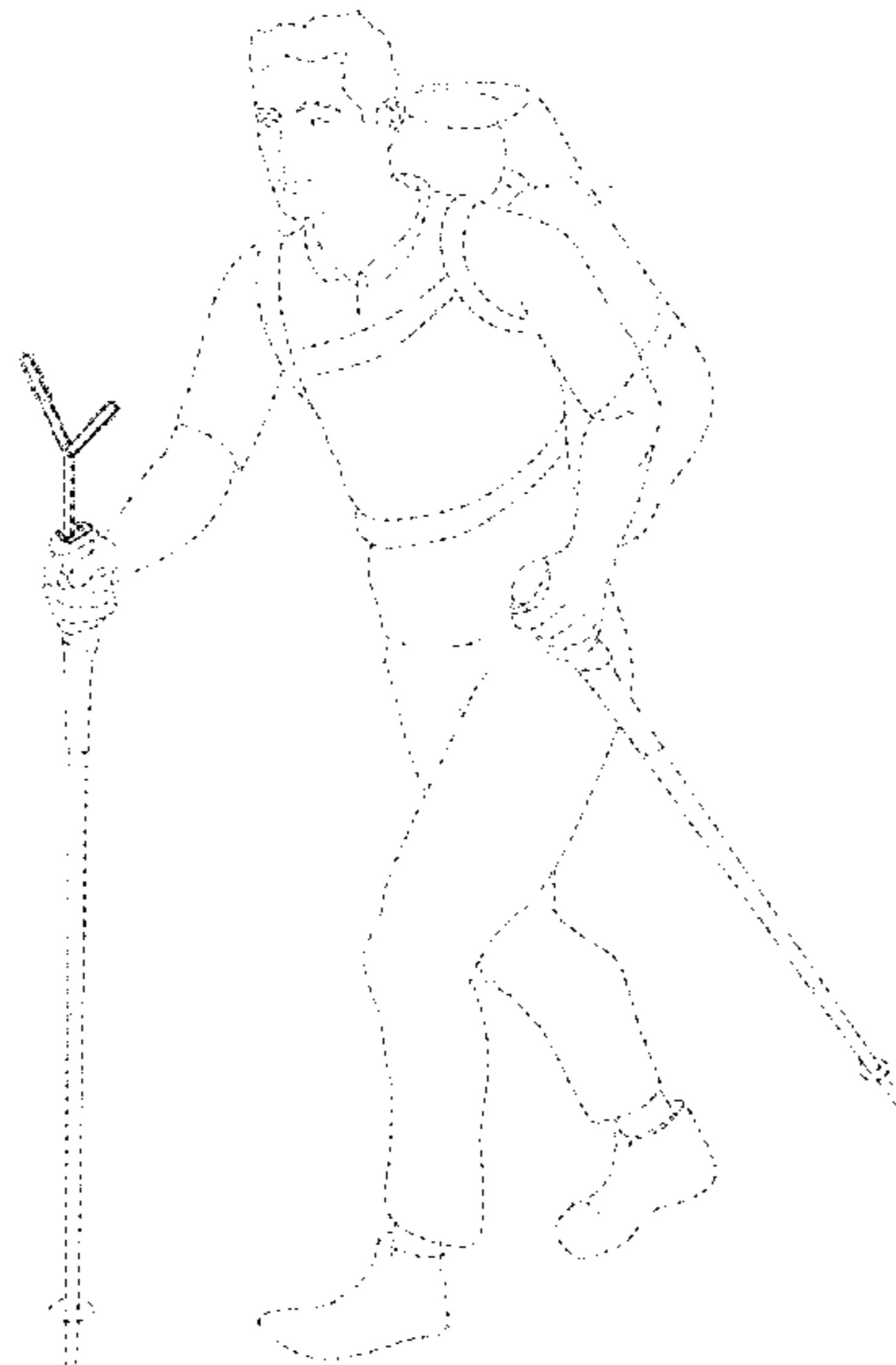
(57) **CLAIM**

The ornamental design for an attachable shooting rest for a walking stick, substantially as shown and described.

DESCRIPTION

FIG. 1 is a front right side perspective view of an attachable shooting rest for a walking stick according to the present invention and shown in an exemplary environment attached to the top of a walking stick;
FIG. 2 is a front right side perspective view of the attachable shooting rest for a walking stick shown in FIG. 1;
FIG. 3 is a front side elevation view thereof;
FIG. 4 is a rear side elevation view thereof;
FIG. 5 is a left side elevation view thereof;
FIG. 6 is a right side elevation view thereof;
FIG. 7 is a top plan view thereof; and,
FIG. 8 is a bottom plan view thereof.
The broken lines show environment that forms no part of the claimed design.

1 Claim, 8 Drawing Sheets



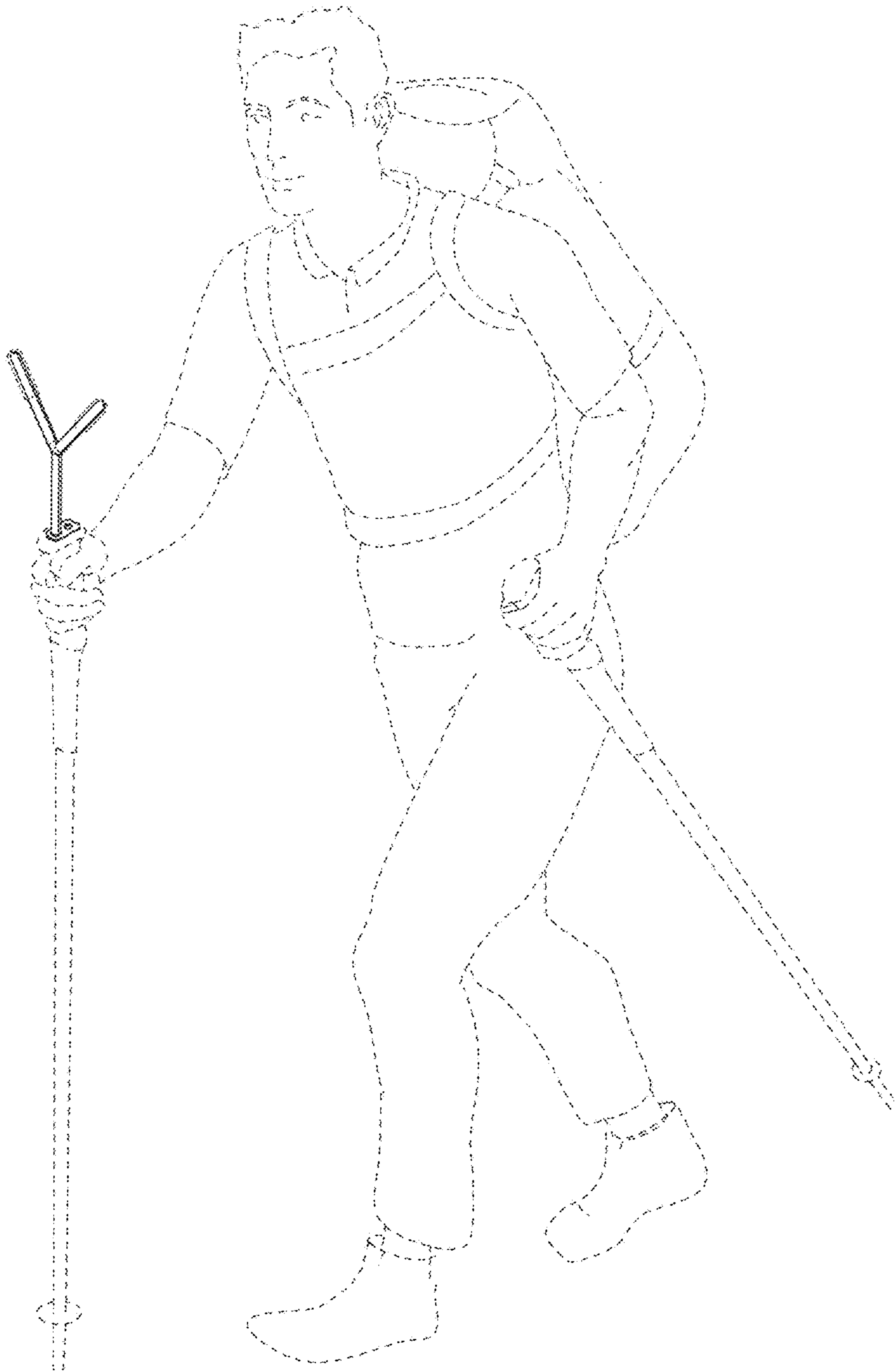


FIG. 1

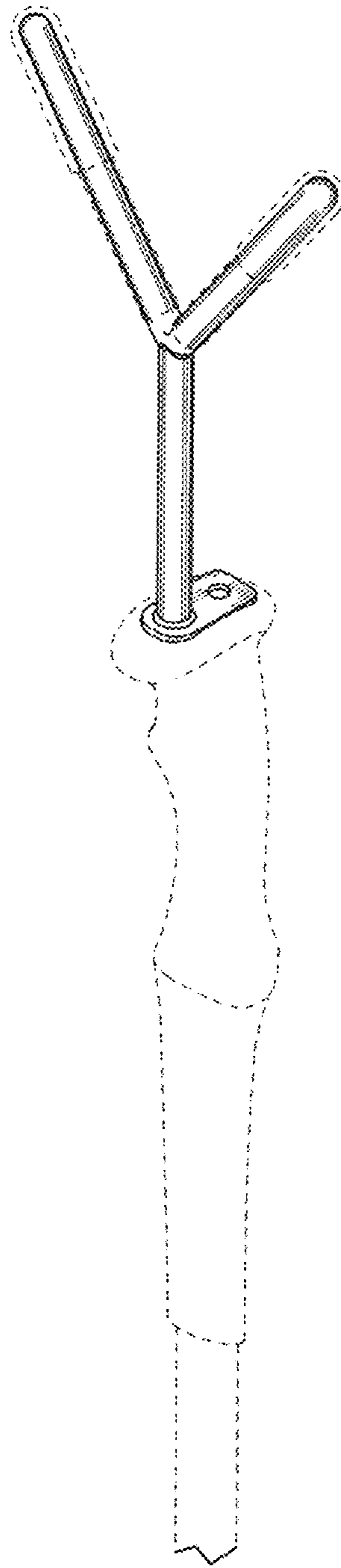


FIG. 2

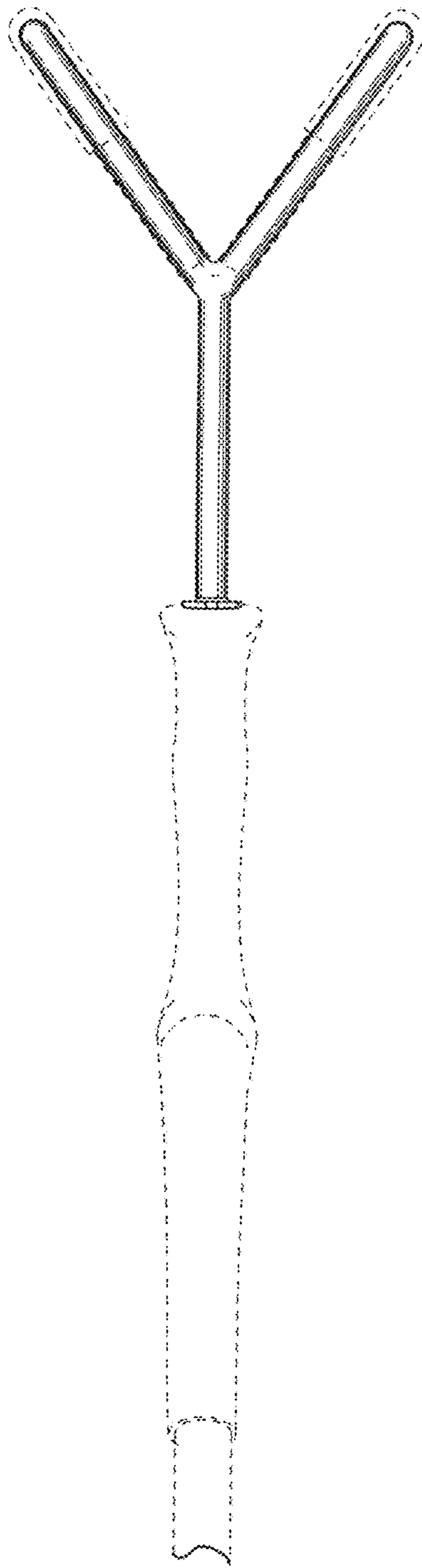


FIG. 3

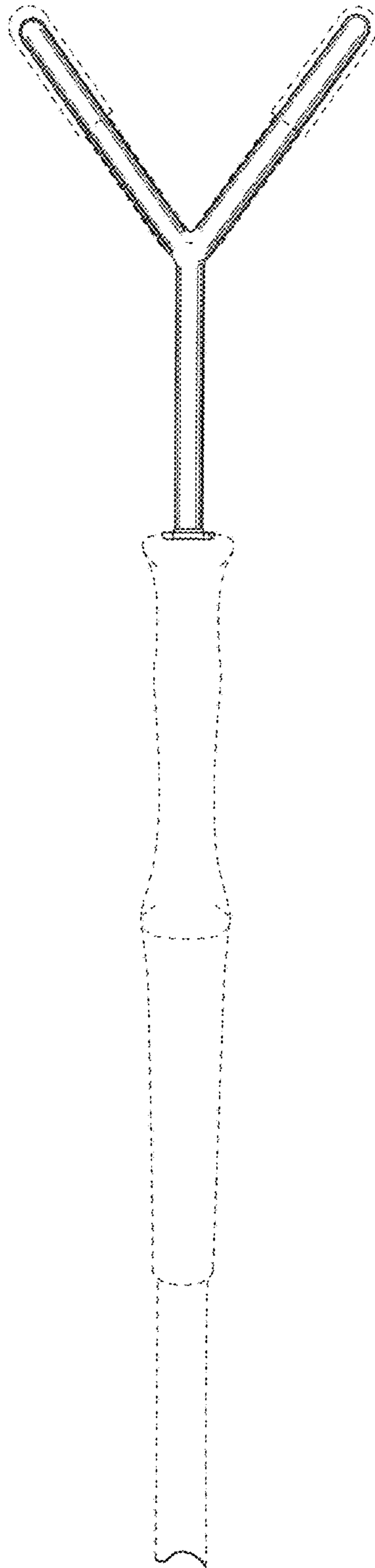


FIG. 4

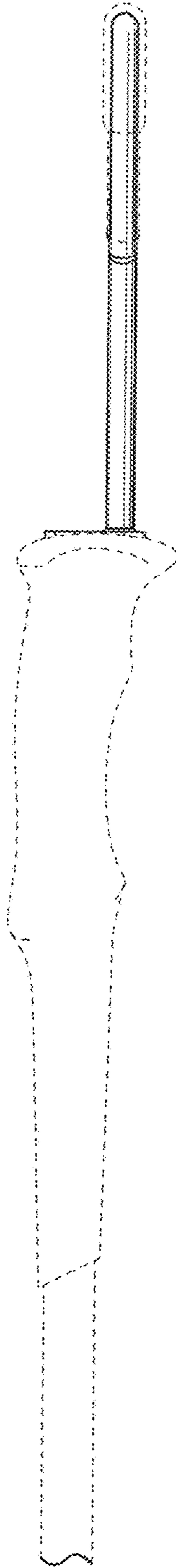


FIG. 5

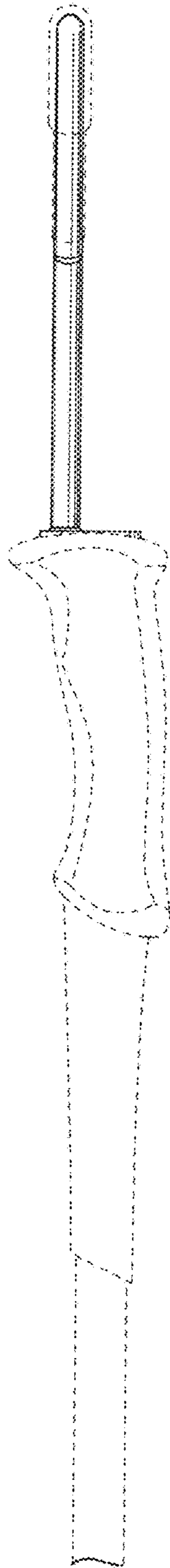


FIG. 6

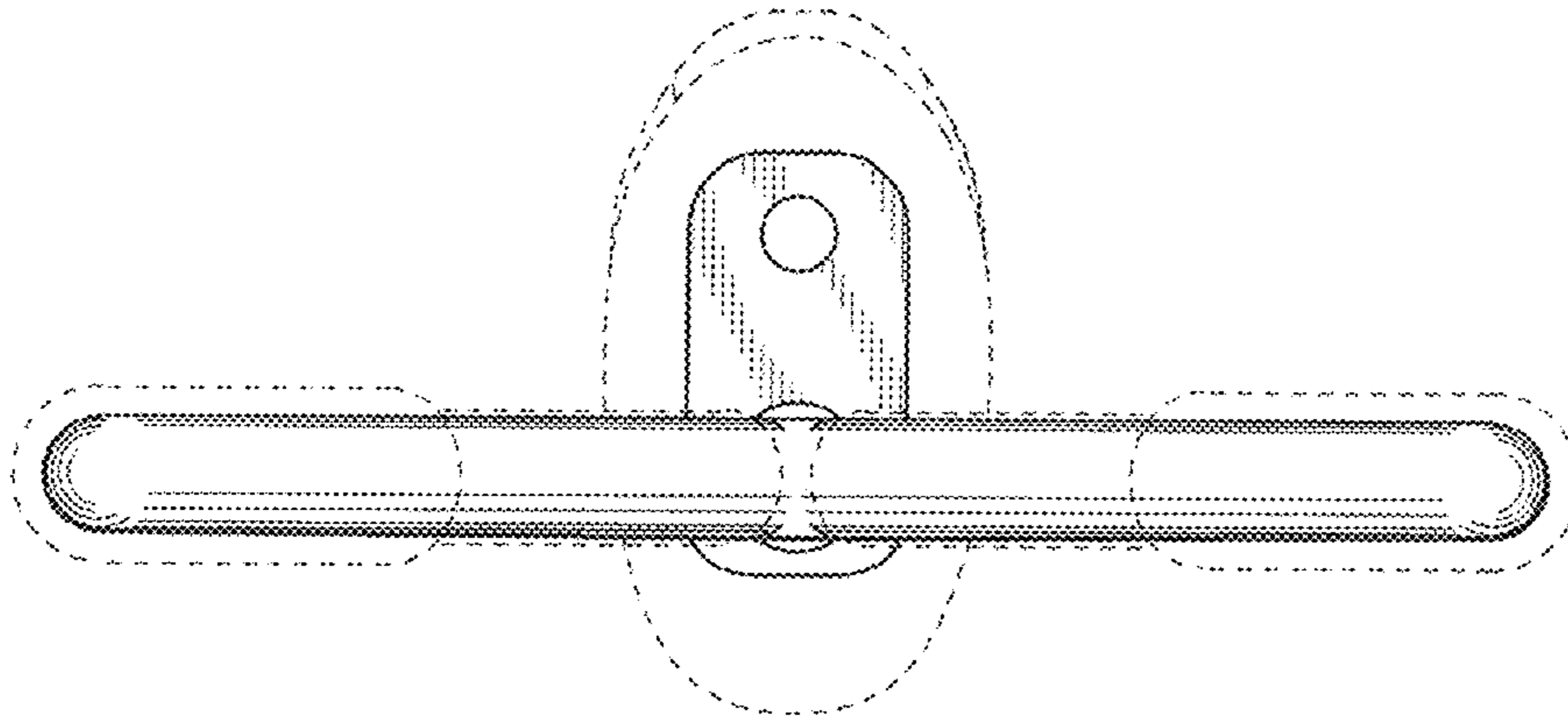


FIG. 7

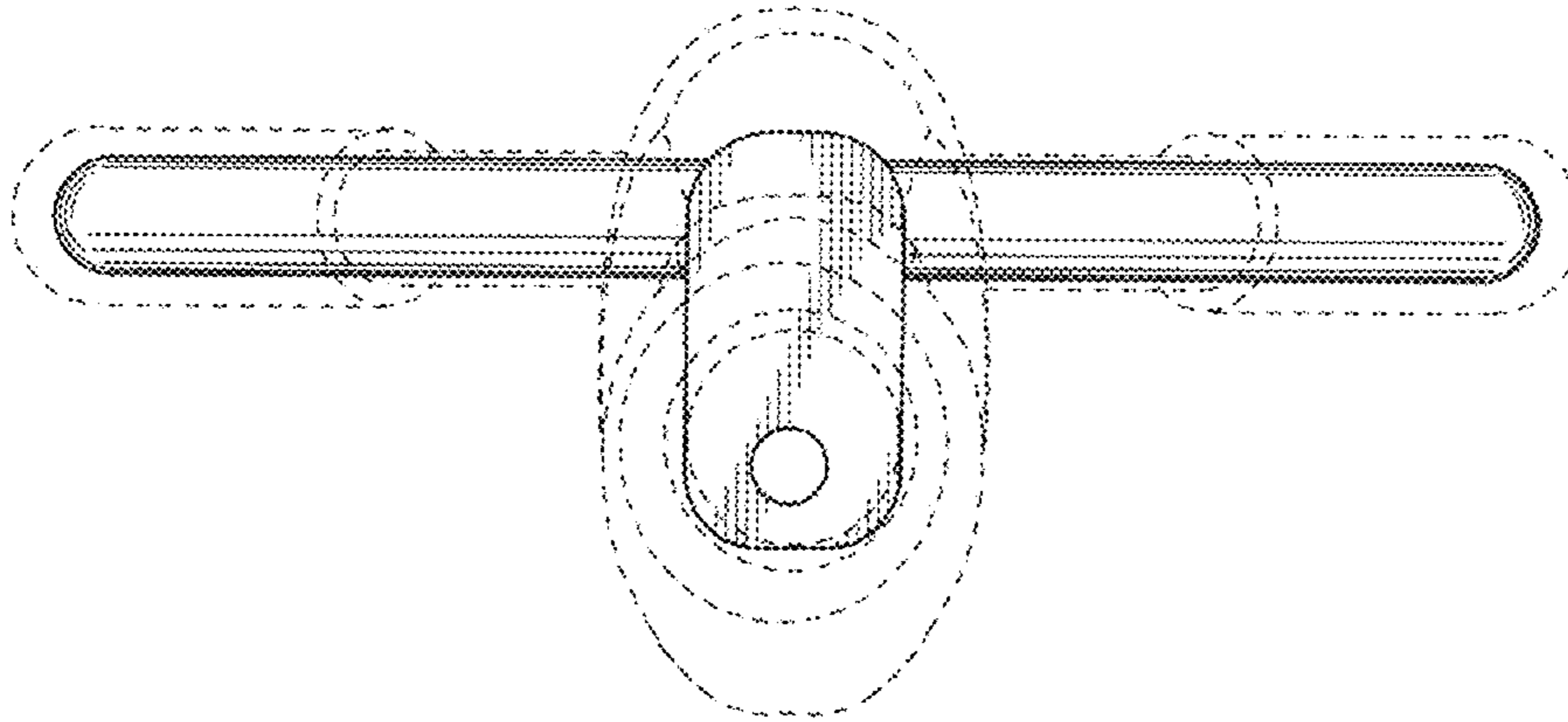


FIG. 8