



US00D817607S

(12) **United States Design Patent** (10) **Patent No.:** **US D817,607 S**
Morrison (45) **Date of Patent:** **** May 15, 2018**

- (54) **BUBBLE SLIDE**
- (71) Applicant: **River Light V, L.P.**, New York, NY (US)
- (72) Inventor: **Miranda Frances Louise Morrison**, Brooklyn, NY (US)
- (73) Assignee: **River Light V, L.P.**, New York, NY (US)
- (**) Term: **15 Years**
- (21) Appl. No.: **29/595,442**
- (22) Filed: **Feb. 28, 2017**
- (51) **LOC (11) Cl.** **02-04**
- (52) **U.S. Cl.**
USPC **D2/916; D2/919**
- (58) **Field of Classification Search**
USPC D2/896, 898, 900, 916, 919, 946, 969, D2/972
CPC A43B 3/12; A43B 3/10; A43B 3/00
See application file for complete search history.

(56) **References Cited**

U.S. PATENT DOCUMENTS

- D292,441 S * 10/1987 Gamm D2/905
- D424,790 S * 5/2000 Greenberg D2/916
- 6,430,845 B1 * 8/2002 Noda A43B 3/102
36/100

- D485,970 S * 2/2004 Magro D2/916
- D485,972 S * 2/2004 Magro D2/916
- D495,474 S * 9/2004 Dal Magro D2/916
- D499,235 S * 12/2004 Dal Magro D2/916
- D614,836 S * 5/2010 Kay D2/914
- D650,155 S * 12/2011 Liow D2/916
- 9,210,965 B2 * 12/2015 O'Connor A43B 3/108
- D783,955 S * 4/2017 Fullerton D2/916
- D787,166 S * 5/2017 Doak D2/916

* cited by examiner

Primary Examiner — Holly H Baynham

Assistant Examiner — Rashida C. Walshon

(74) *Attorney, Agent, or Firm* — Kilpatrick Townsend & Stockton LLP

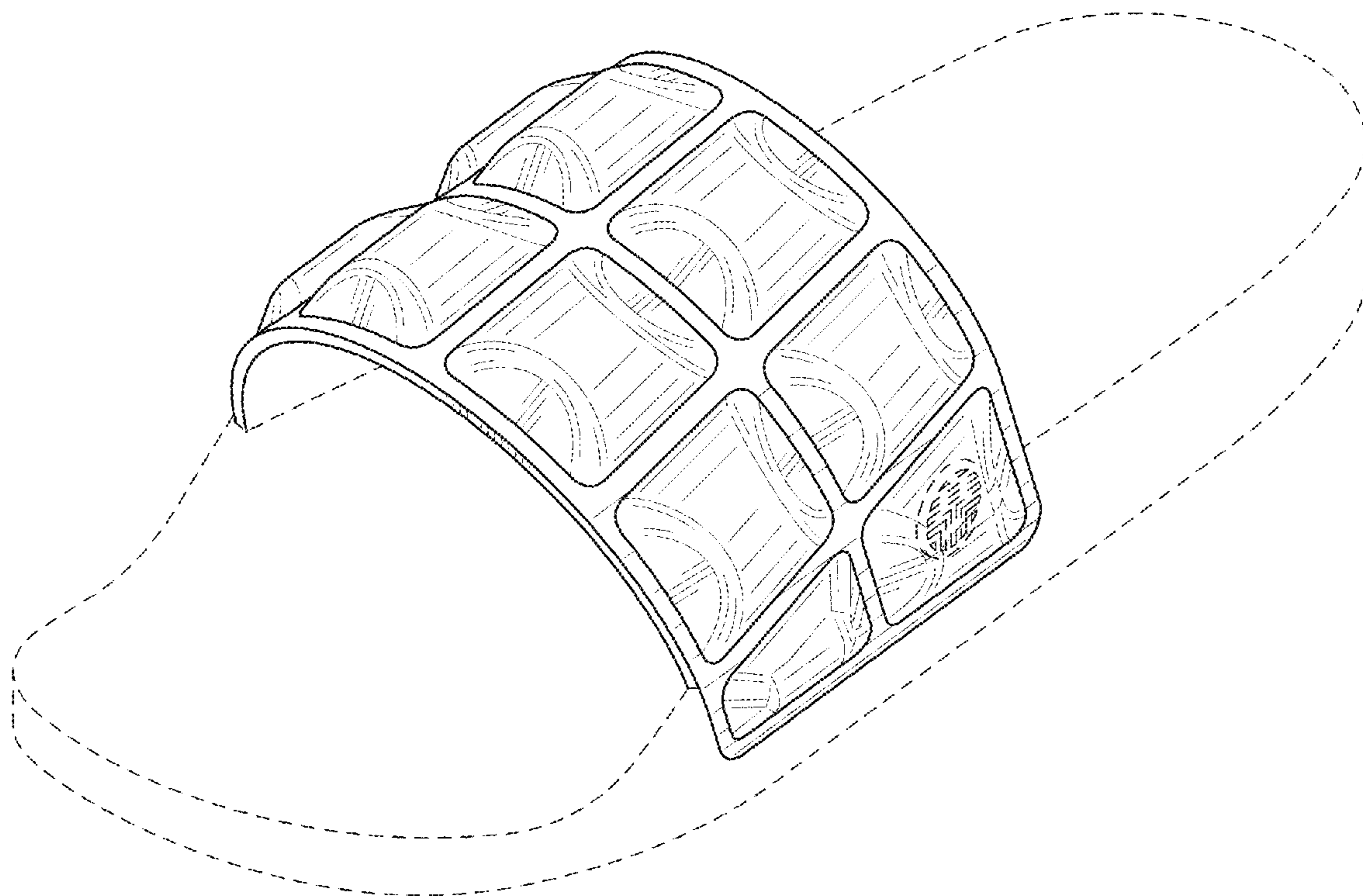
(57) **CLAIM**

The ornamental design for a bubble slide, as shown and described.

DESCRIPTION

FIG. 1 is a perspective front view of a bubble slide.
 FIG. 2 is a front view of the bubble slide of FIG. 1.
 FIG. 3 is a right side view of the bubble slide of FIG. 1.
 FIG. 4 is a left side view of the bubble slide of FIG. 1.
 FIG. 5 is a rear view of the bubble slide of FIG. 1.
 FIG. 6 is a top view of the bubble slide of FIG. 1; and,
 FIG. 7 is a bottom view of the bubble slide of FIG. 1.
 The broken lines denote unclaimed portions of the bubble slide, and form no part of the claimed design.

1 Claim, 6 Drawing Sheets



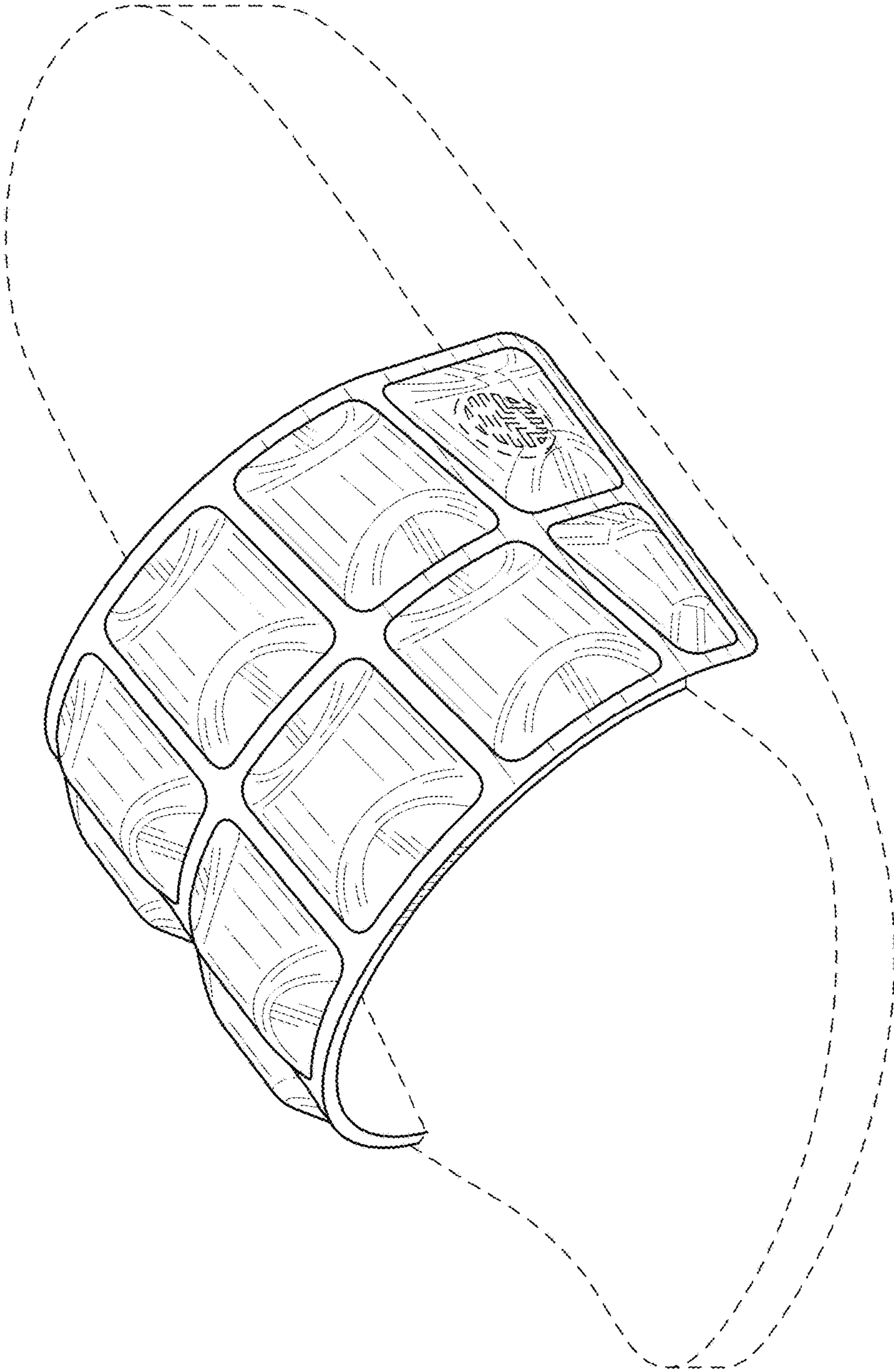


FIG. 1

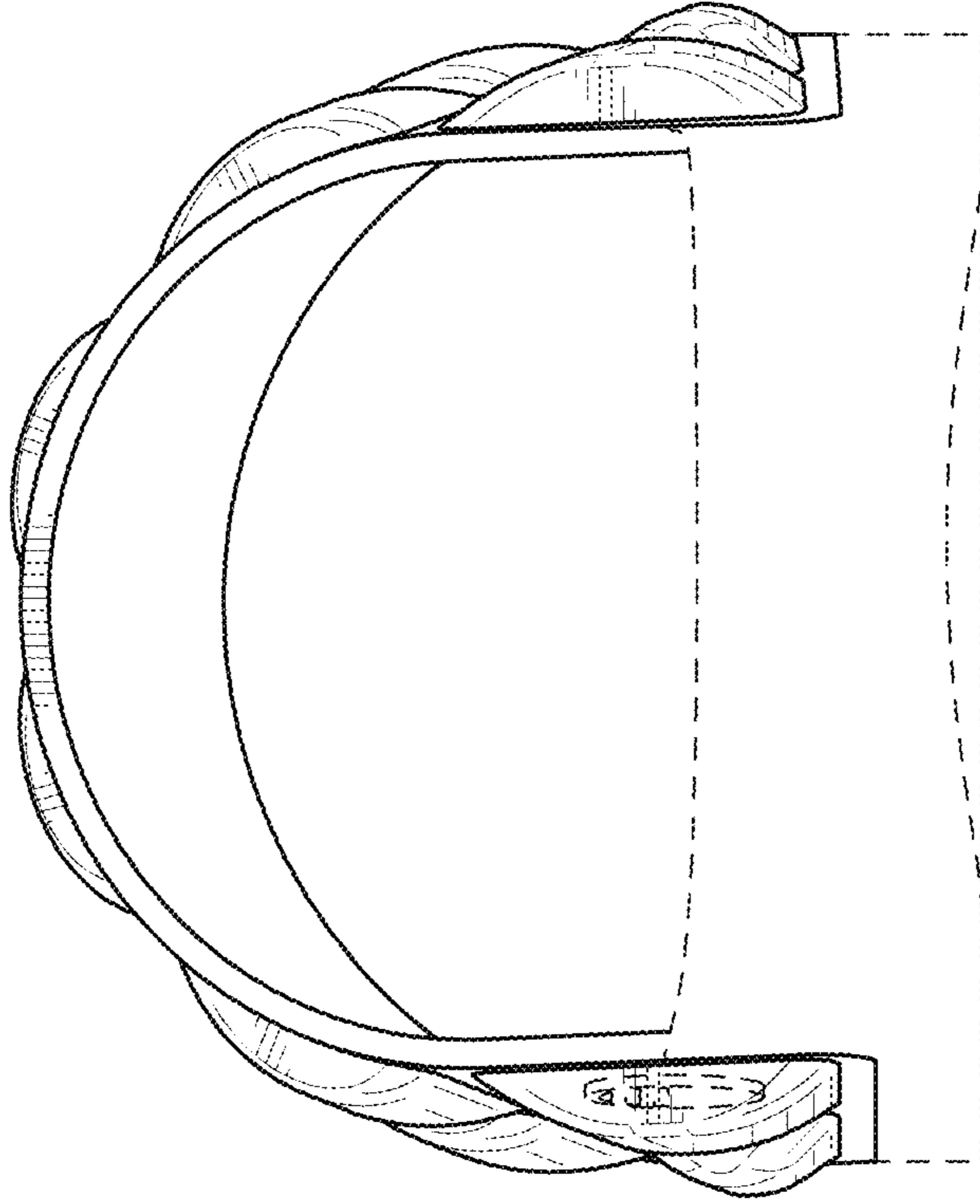


FIG. 5

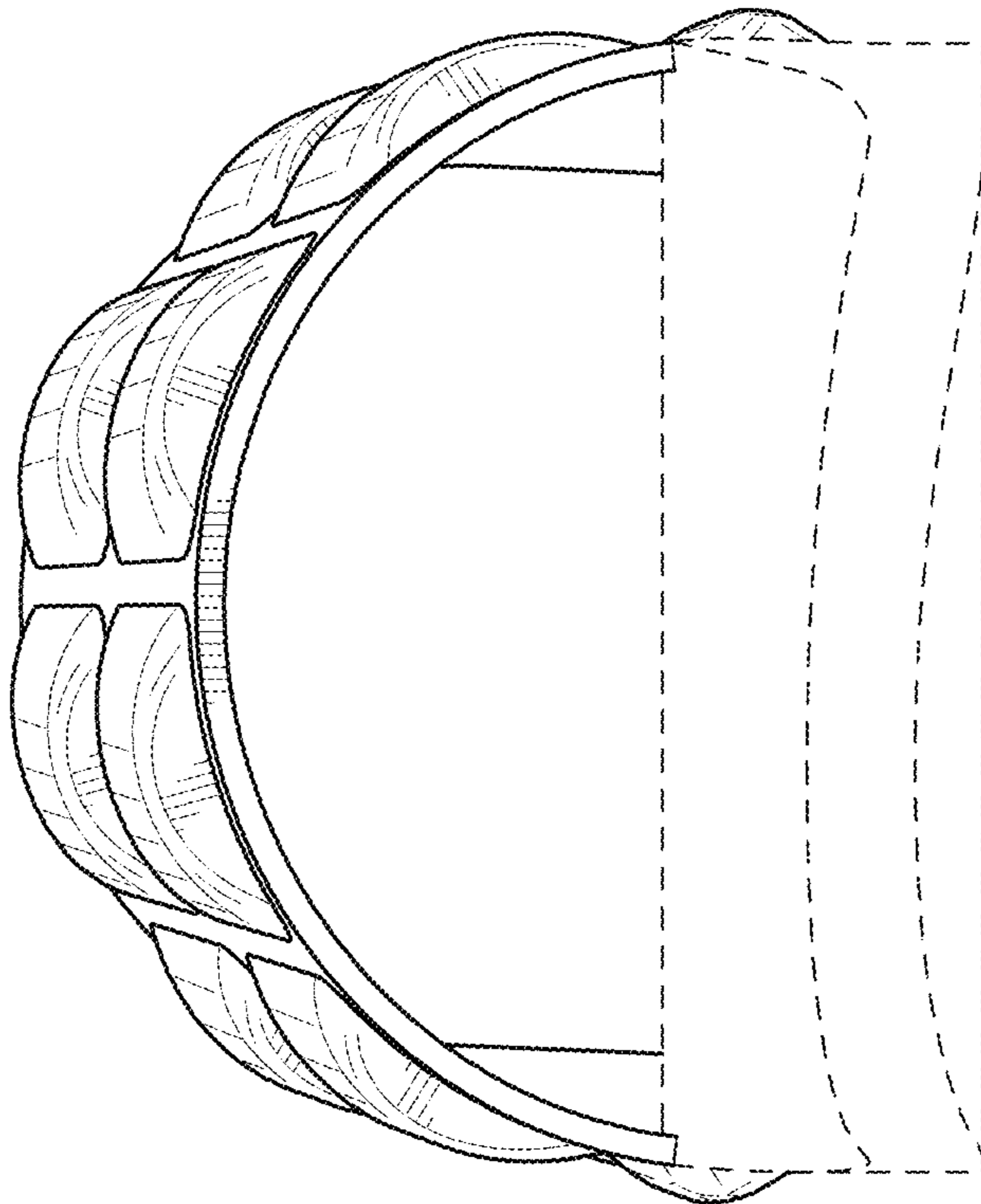


FIG. 2

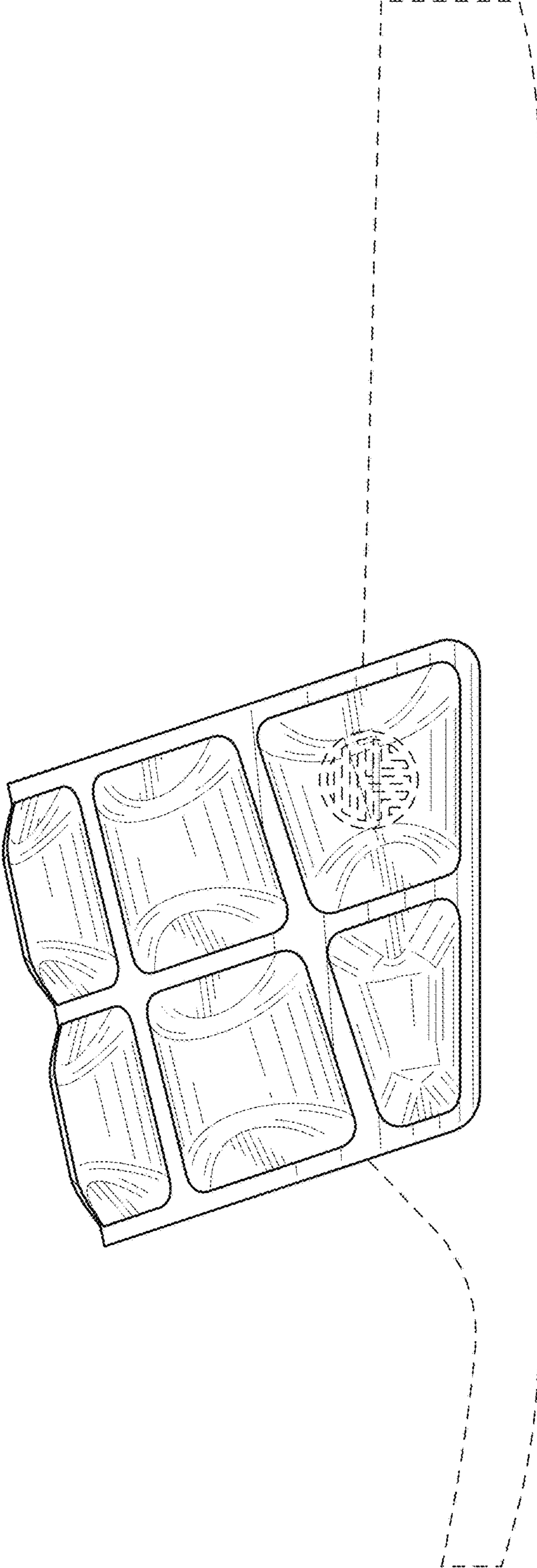


FIG. 3

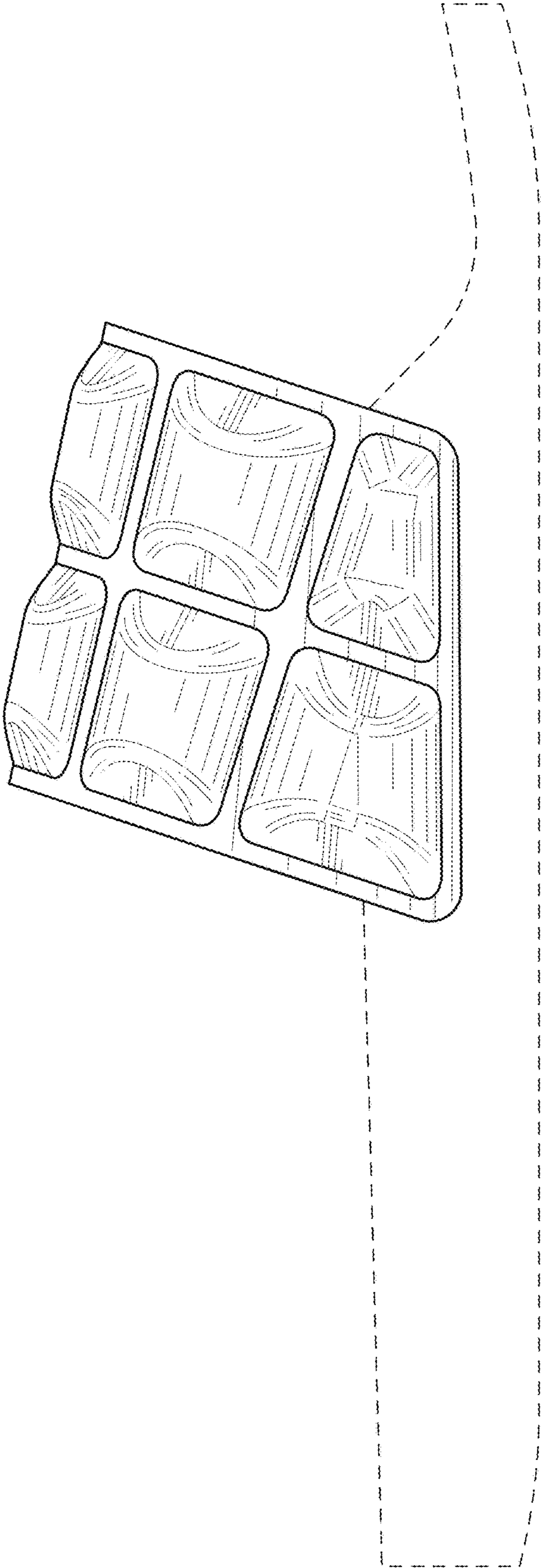


FIG. 4

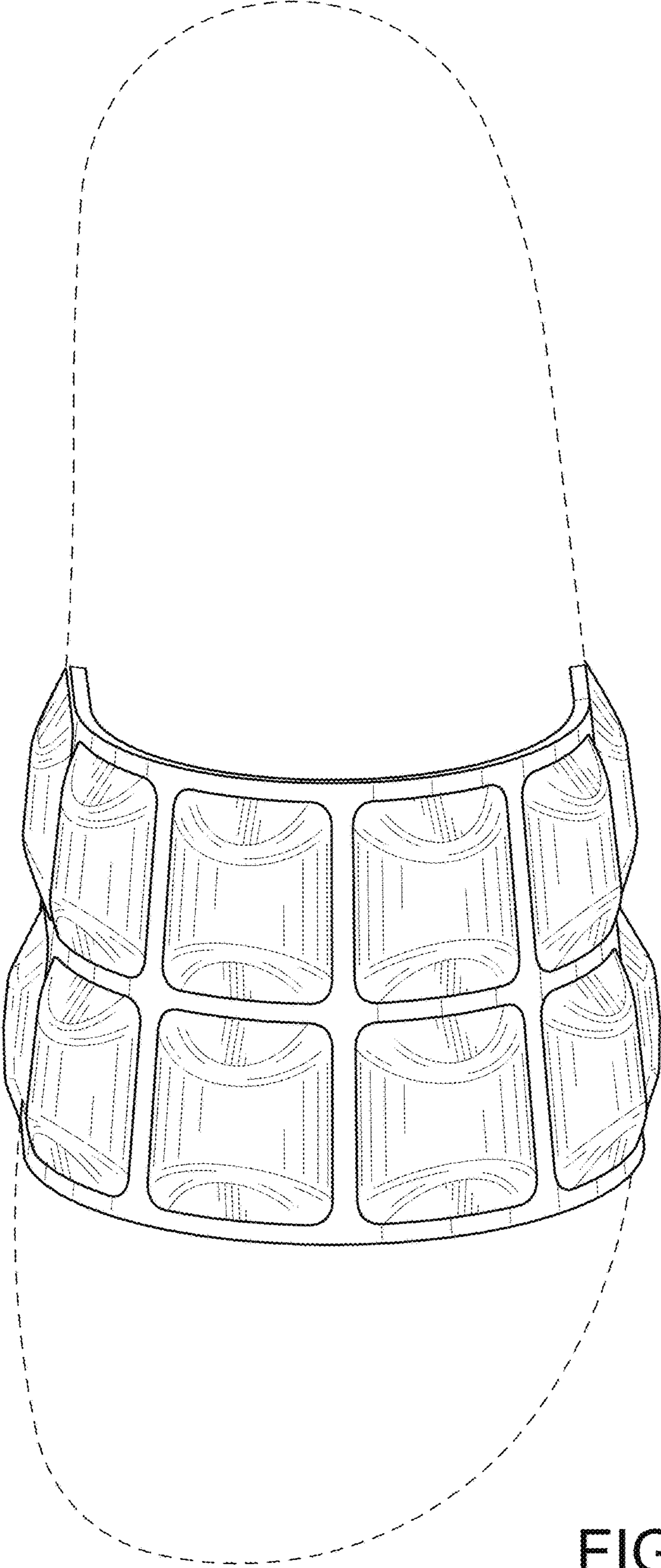


FIG. 6

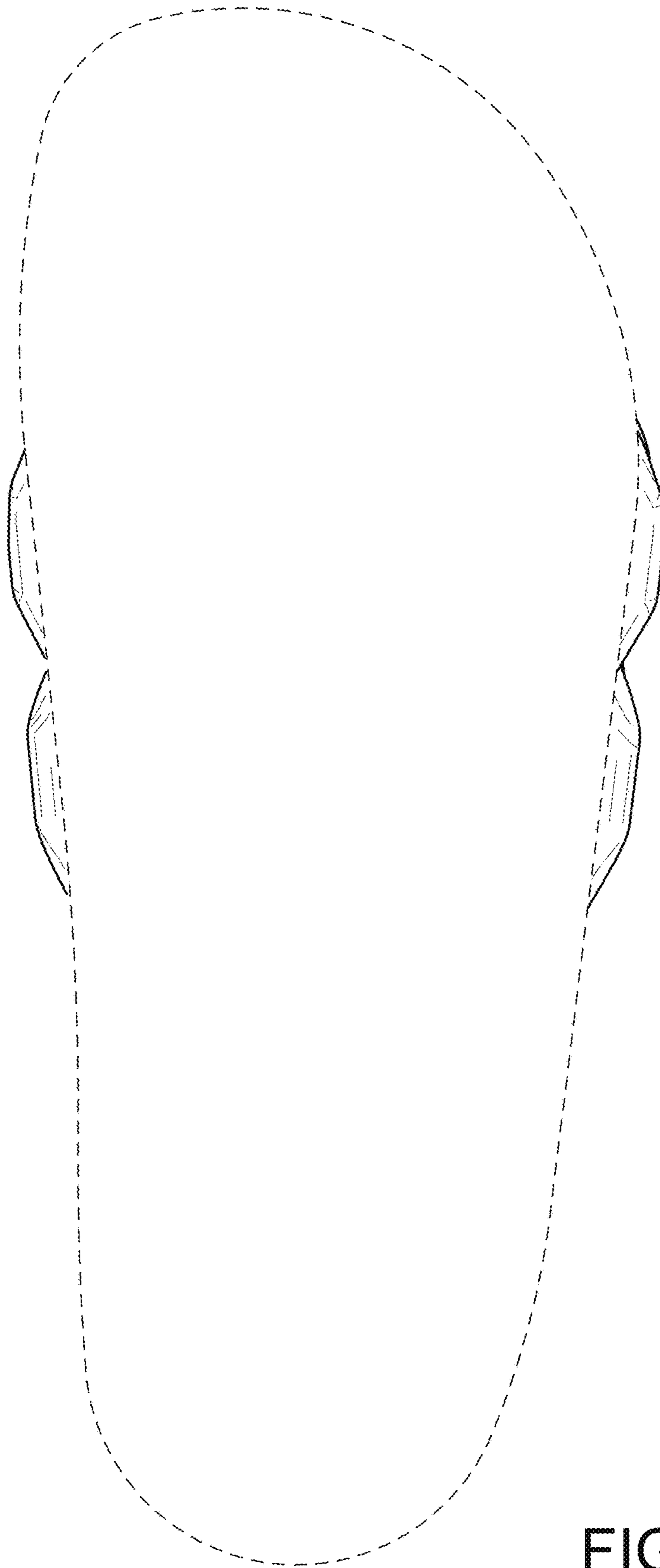


FIG. 7