



US00D817605S

(12) **United States Design Patent**
Hester

(10) **Patent No.:** **US D817,605 S**

(45) **Date of Patent:** **** *May 15, 2018**

(54) **VISOR COVER FOR HEADWEAR CAP**

(71) Applicant: **Yvonne Hester**, Lawrence, NY (US)

(72) Inventor: **Yvonne Hester**, Lawrence, NY (US)

(73) Assignee: **Yvonne Hester**, Lawrence, NY (US)

(*) Notice: This patent is subject to a terminal disclaimer.

(**) Term: **15 Years**

(21) Appl. No.: **29/620,214**

(22) Filed: **Sep. 26, 2016**

(51) **LOC (11) Cl.** **02-03**

(52) **U.S. Cl.**
USPC **D2/893; D2/876**

(58) **Field of Classification Search**
USPC D2/865, 866, 871, 872, 876, 878, 882,
D2/884, 891, 892, 893; D29/109, 122
CPC .. A42B 1/00; A42B 1/002; A42B 1/02; A42B
1/062; A42B 1/063; A42B 1/064; A42B
1/18; A42B 1/20; A42B 1/201; A42B
1/205; A42B 1/206; A42B 1/22; A42C
5/00

See application file for complete search history.

(56) **References Cited**

U.S. PATENT DOCUMENTS

- 1,506,664 A * 8/1924 Pickard A61F 9/045
2/12
- 1,598,314 A * 8/1926 Rosenberg A42B 1/22
2/10
- 2,019,028 A * 10/1935 Sternberg A61F 9/045
2/12
- 3,266,056 A * 8/1966 De Villers A42B 1/208
2/12
- 4,096,589 A * 6/1978 Goldstein A61F 9/045
2/12
- D263,092 S * 2/1982 Fay D2/876

- D267,752 S * 2/1983 Fairbrother D14/168
- 4,547,903 A * 10/1985 Brown A41D 20/00
2/12
- D282,406 S * 2/1986 Levy D2/876
- D285,021 S * 8/1986 Chandler D2/876
- D286,221 S * 10/1986 Murray, II D2/876
- D288,025 S * 2/1987 Laughlin D2/871
- D302,609 S * 8/1989 Wheeler D2/876
- 5,070,545 A * 12/1991 Tapia A42B 1/064
2/10

(Continued)

Primary Examiner — Karen E Eldridge Powers

Assistant Examiner — Jasmine Mlinarcik

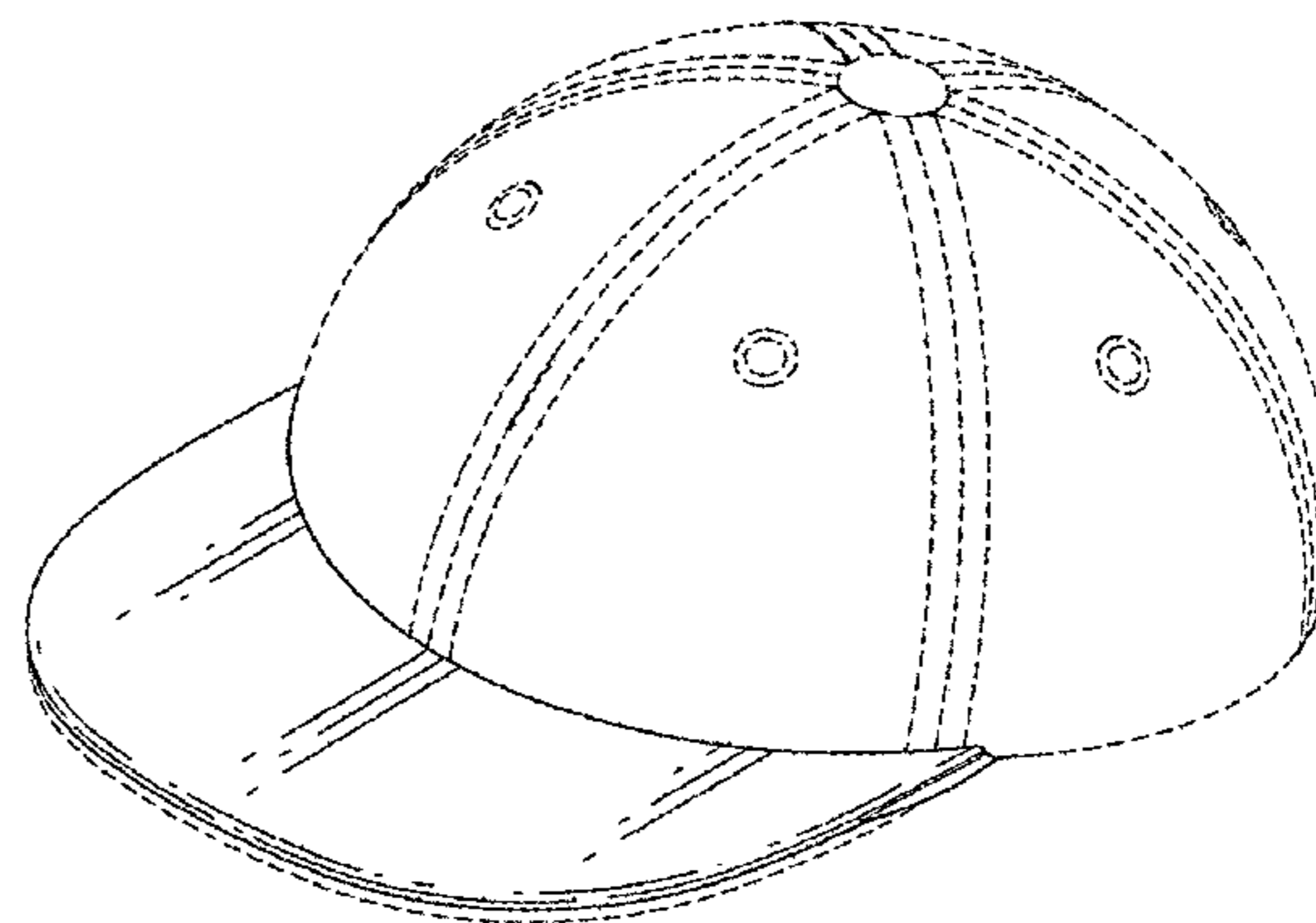
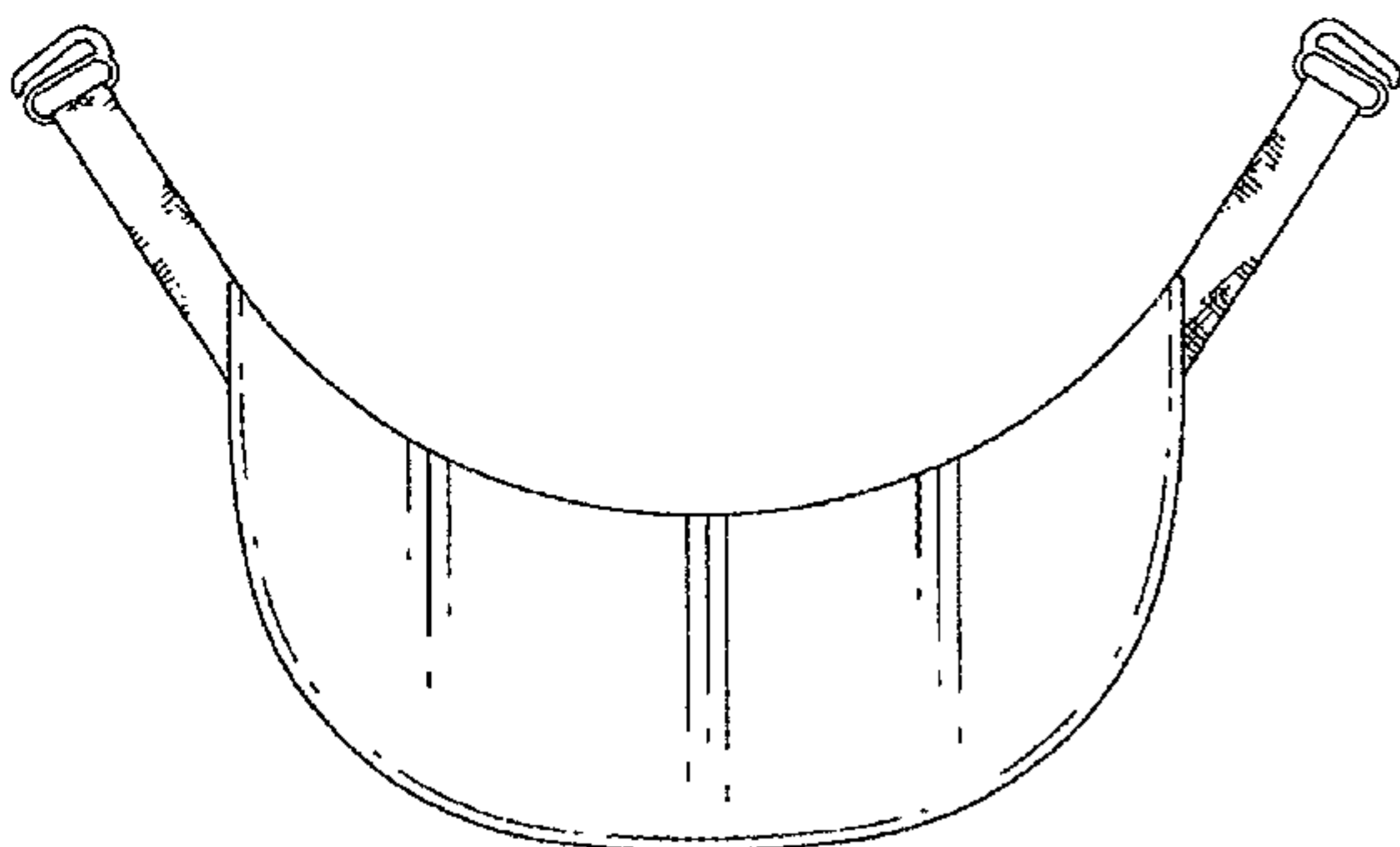
(57) **CLAIM**

I claim the ornamental design for a visor cover for headwear cap, as shown and described.

DESCRIPTION

FIG. 1 is a top plan view of a visor cover for headwear cap; FIG. 2 is a left side elevation view of the visor cover for headwear cap; FIG. 3 is a right side elevation view of the visor cover for headwear cap; FIG. 4 is a front elevation view of the visor cover for headwear cap; FIG. 5 is a rear elevation view of the visor cover for headwear cap; FIG. 6 is a bottom plan view of the visor cover for headwear cap; FIG. 7 is a perspective view of the visor cover for headwear cap; and, FIG. 8 is a perspective view of the visor cover for headwear cap. The ball cap illustrated by broken lines in FIG. 8 represents environmental structure, and assists in illustrating how the claimed design may appear when used in conjunction with another piece of headwear, but forms no part of the claimed design.

1 Claim, 5 Drawing Sheets



(56)

References Cited

U.S. PATENT DOCUMENTS

D324,128 S *	2/1992	Hoskins	D2/876	D439,728 S *	4/2001	Smith	D2/866
5,099,524 A *	3/1992	Linday	A41D 20/00	D441,938 S *	5/2001	Davis	D2/865
				2/10	D501,704 S *	2/2005	Hathaway	D2/869
D358,006 S *	5/1995	Chisolm	D2/893	6,910,226 B2 *	6/2005	Hoyez	A42C 5/04
D367,753 S *	3/1996	Burge	D2/876					2/195.1
D374,972 S *	10/1996	Nelson	D2/882	D553,830 S *	10/2007	Landers	D2/882
5,581,808 A *	12/1996	Garza	A42B 1/062	D672,120 S *	12/2012	Bross	D2/893
				2/12	D673,352 S *	1/2013	Robinson	D2/876
5,666,669 A *	9/1997	Sewell	A42B 1/062	D687,604 S *	8/2013	Bryan	D29/109
				2/10	D779,172 S *	2/2017	Hester	D2/876
5,845,339 A *	12/1998	Ashley	A42B 1/201	D781,533 S *	3/2017	Blount	D2/876
				2/12	2006/0015984 A1 *	1/2006	Liu	A61F 9/045
5,862,523 A *	1/1999	Proctor	A42B 1/064					2/171
				2/171	2011/0047674 A1 *	3/2011	Sheppard	A42B 1/22
5,903,921 A *	5/1999	Dow	A42B 1/062					2/195.2
				2/12	2012/0054936 A1 *	3/2012	Cornell	A42B 3/227
D412,774 S *	8/1999	Shwartz	D2/865					2/9
					2015/0135406 A1 *	5/2015	Nguyen	A42B 1/205
									2/209.12
					2017/0156431 A1 *	6/2017	Hester	A42B 1/064

* cited by examiner

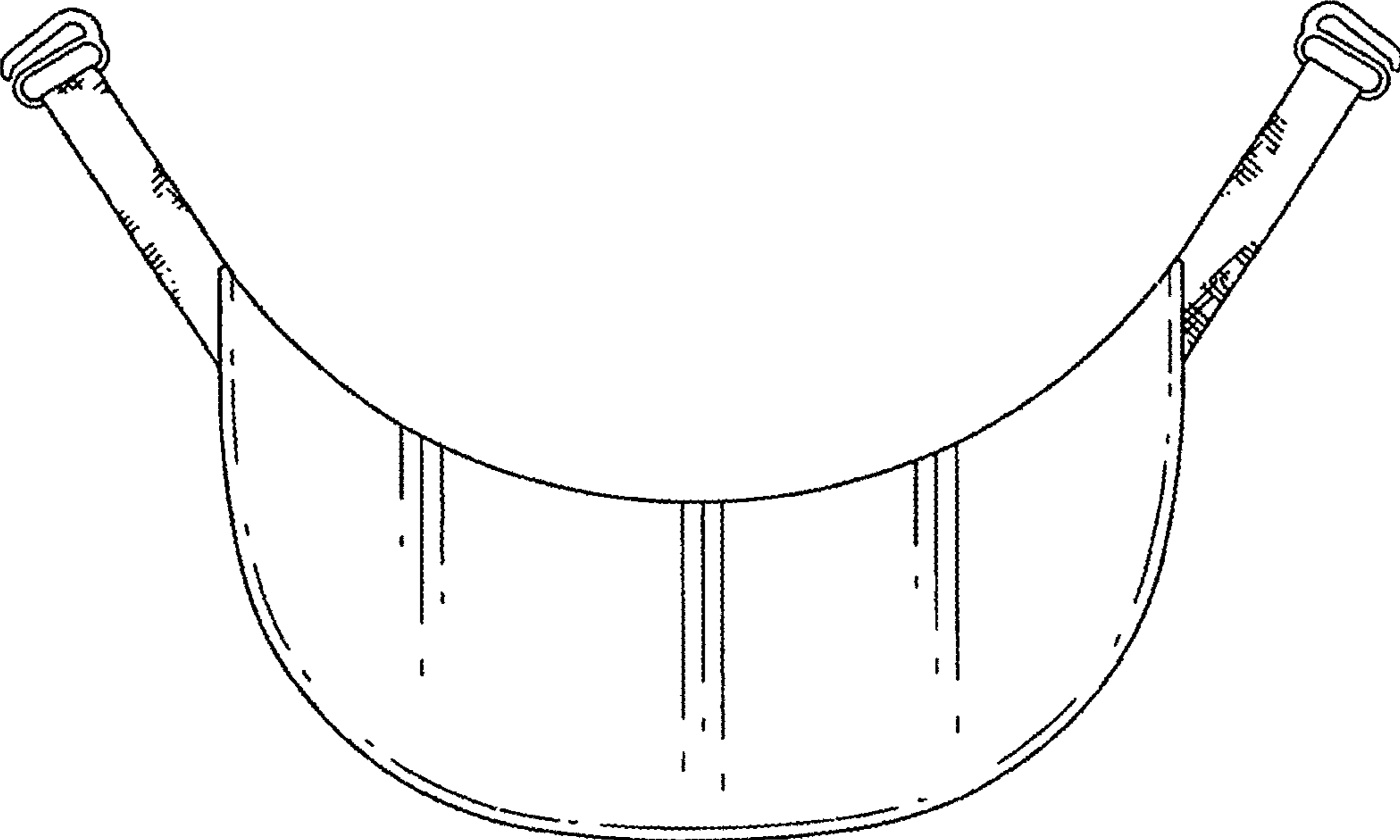


FIG. 1



FIG. 2



FIG. 3



FIG. 4



FIG. 5

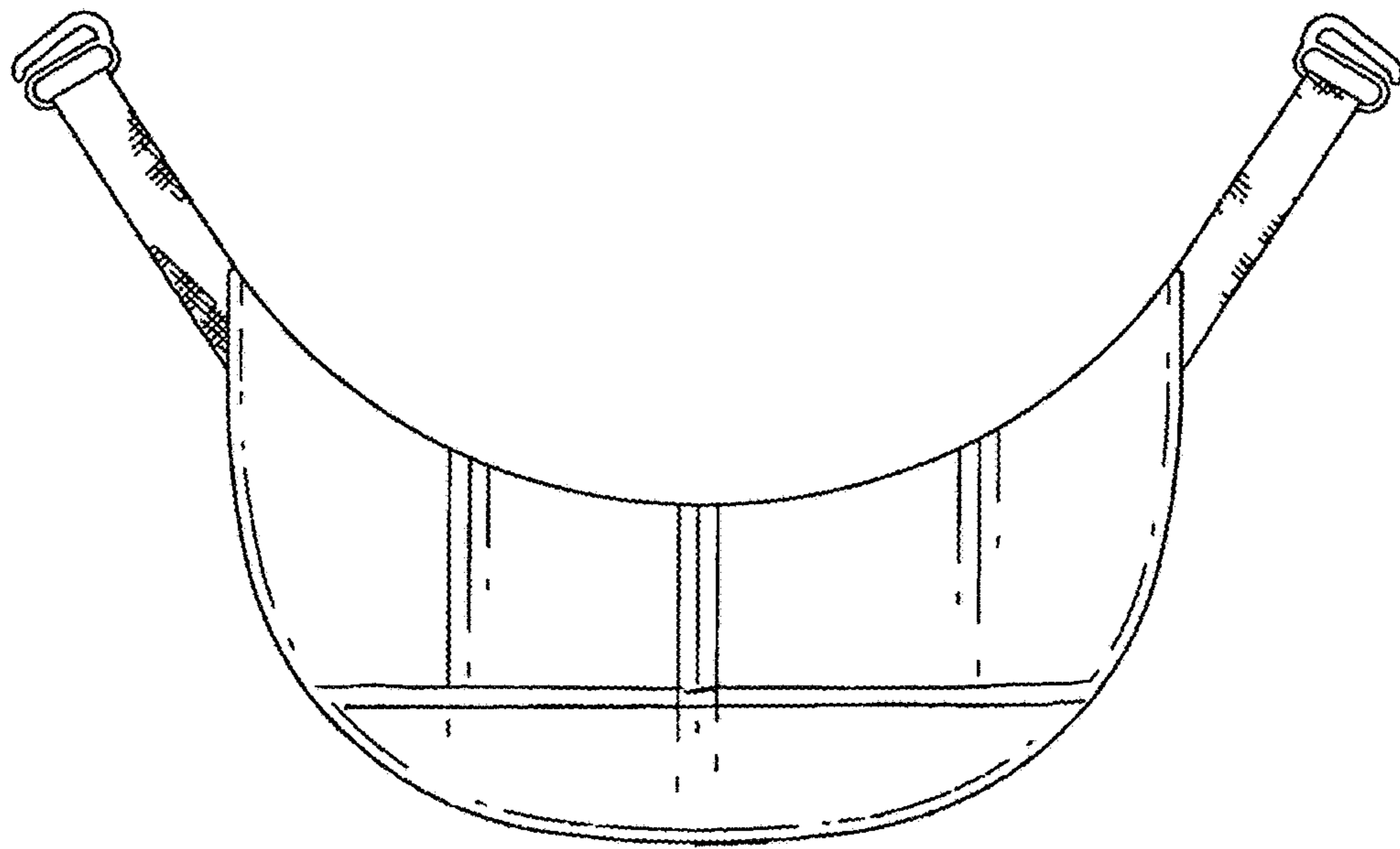


FIG. 6

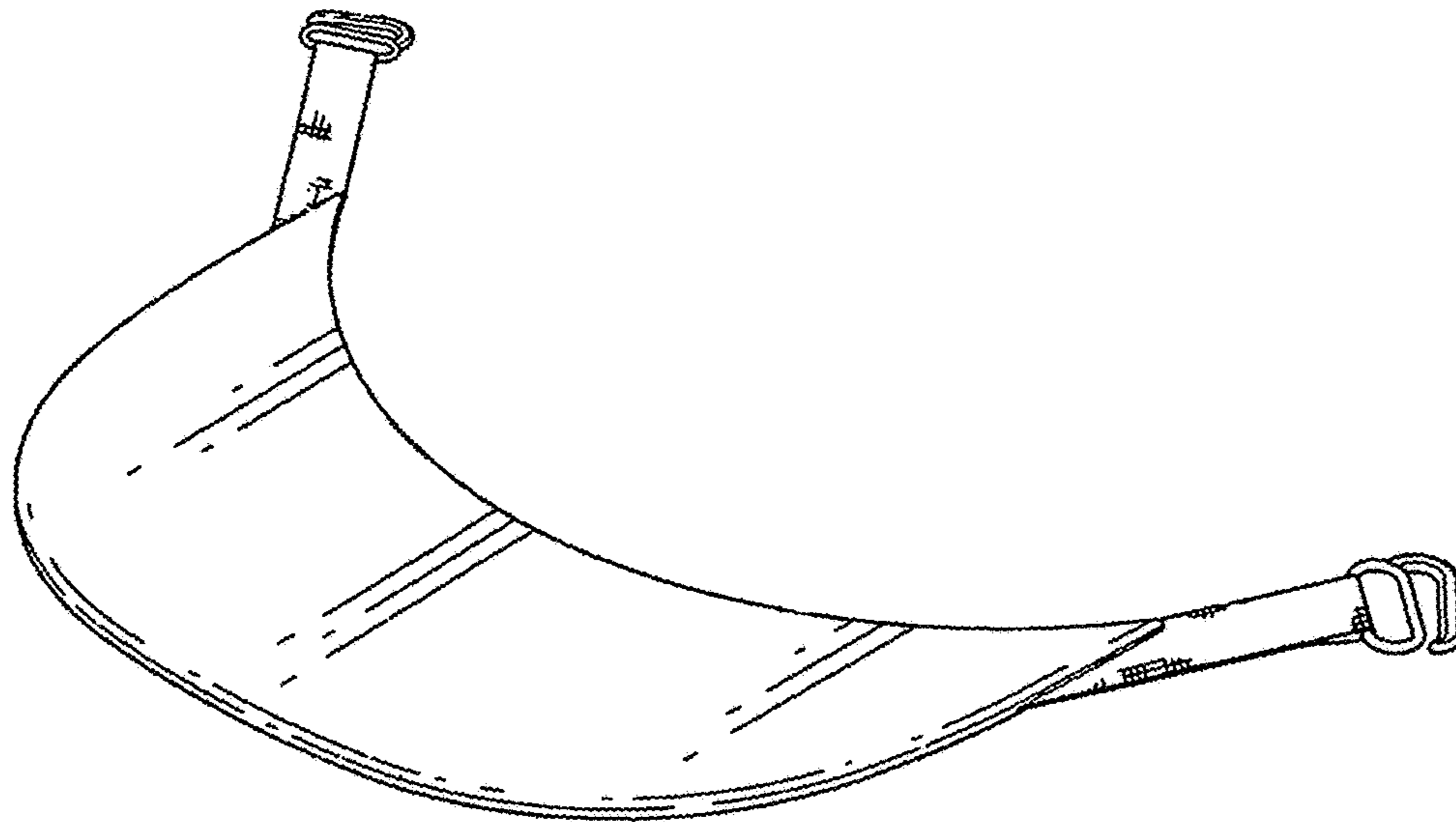


FIG. 7

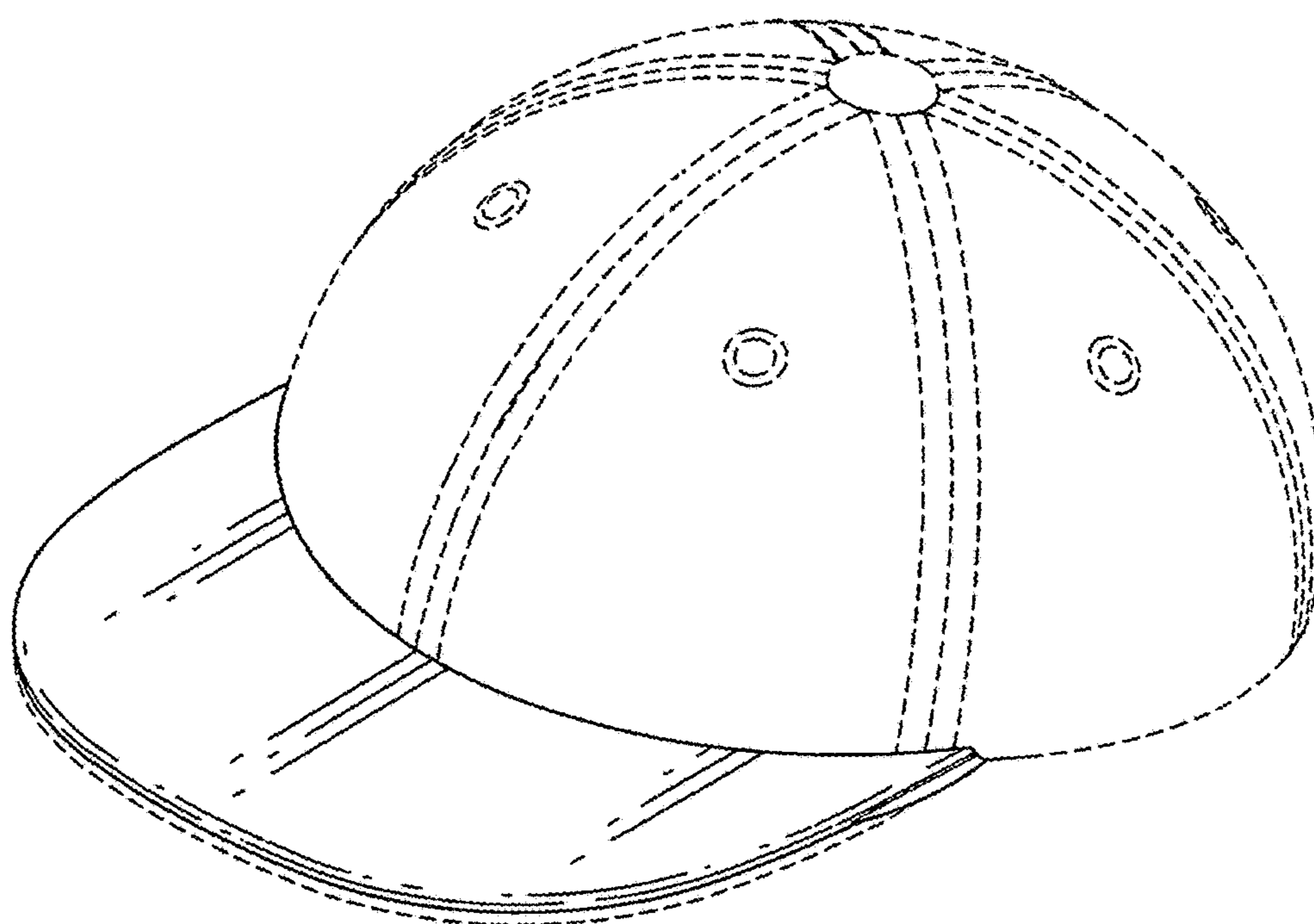


FIG. 8