



US00D817596S

(12) **United States Design Patent**
Hamm et al.

(10) **Patent No.:** **US D817,596 S**
(45) **Date of Patent:** **** May 15, 2018**

(54) **UNDERGARMENT FOR A GIRL**

(71) Applicant: **Her-Rah! 1st Bra, LLC**, Clarkston, MI (US)

(72) Inventors: **Carole Lynne Hamm**, Clarkston, MI (US); **McKenna Joan Hopla**, Clarkston, MI (US)

(73) Assignee: **HER-RAH! 1ST BRA, LLC**, Clarkston, MI (US)

(**) Term: **15 Years**

(21) Appl. No.: **29/586,548**

(22) Filed: **Dec. 5, 2016**

(51) **LOC (11) Cl.** **02-01**

(52) **U.S. Cl.**
USPC **D2/708**

(58) **Field of Classification Search**
USPC D2/700, 705-710, 731, 733-734,
D2/736-737, 793-794, 796, 829; 2/67,
2/69, 74, 104, 105

(Continued)

(56) **References Cited**

U.S. PATENT DOCUMENTS

2,390,465 A * 12/1945 Russo A41C 3/00
450/58
2,453,296 A * 11/1948 Bates A41C 3/00
450/64

(Continued)

Primary Examiner — Eric L Goodman

Assistant Examiner — Amy C Wierenga

(74) *Attorney, Agent, or Firm* — Howard & Howard
Attorneys PLLC

(57) **CLAIM**

An ornamental design for an undergarment for a girl, as shown and described.

DESCRIPTION

FIG. 1 is a front view of an undergarment for a girl, shown in a position of use, according to a first embodiment of the present disclosure;

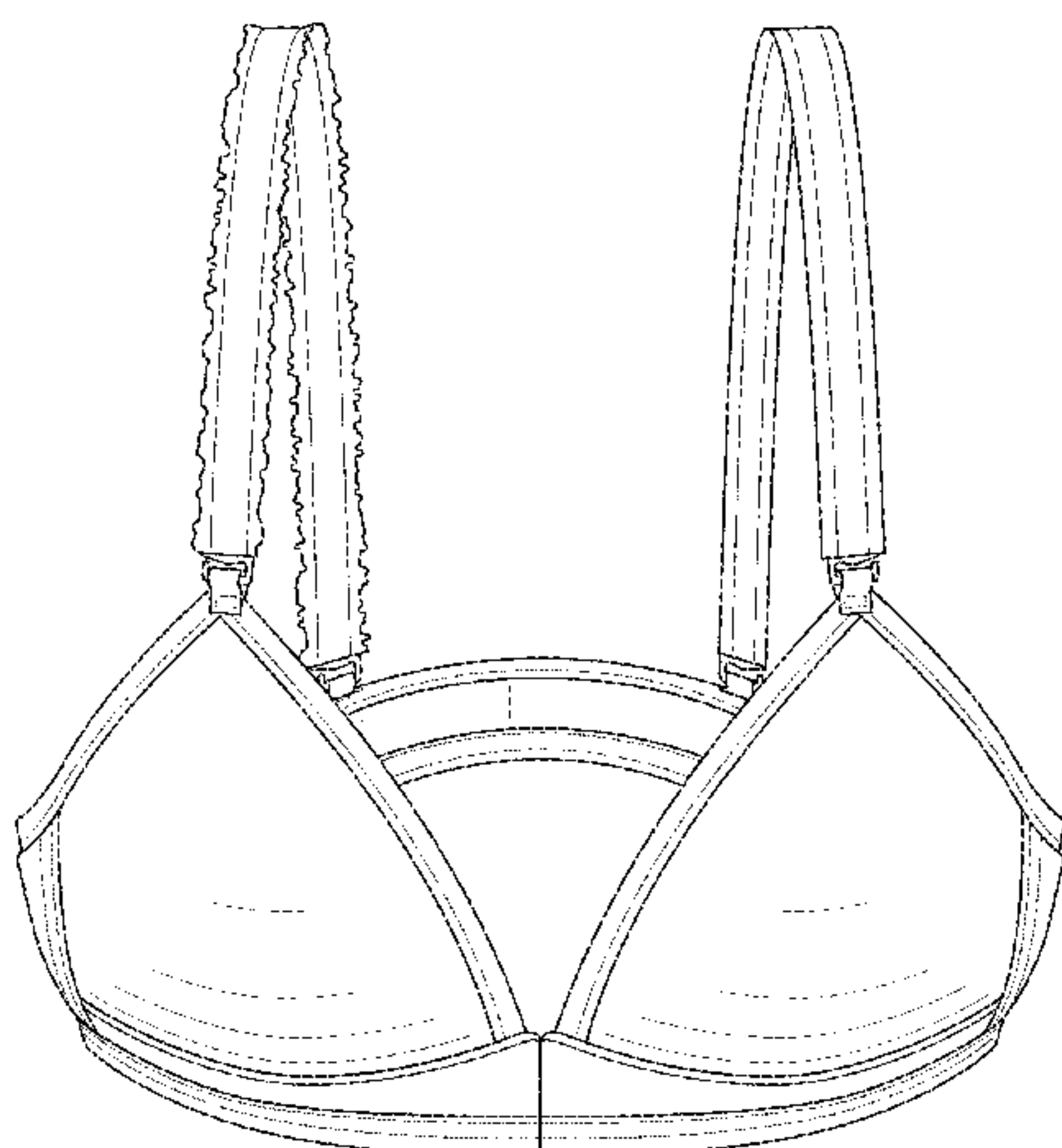


FIG. 2 is a front perspective view of the undergarment for a girl of FIG. 1;

FIG. 3 is a front elevational view of FIG. 2 shown in an open position;

FIG. 4 is a rear elevational view of FIG. 2 shown in an open position;

FIG. 5 is a left side elevational view of FIG. 4;

FIG. 6 is a right side elevational view of FIG. 4;

FIG. 7 is a top plan view of FIG. 3;

FIG. 8 is a bottom plan view of FIG. 3;

FIG. 9 is a front view of an undergarment for a girl, shown in a position of use, according to a second embodiment of the present disclosure;

FIG. 10 is a front perspective view of the undergarment for a girl of FIG. 9;

FIG. 11 is a front elevational view of FIG. 10 shown in an open position;

FIG. 12 is a rear elevational view of FIG. 10 shown in an open position;

FIG. 13 is a left side elevational view of FIG. 12;

FIG. 14 is a right side elevational view of FIG. 12;

FIG. 15 is a top plan view of FIG. 11;

FIG. 16 is a bottom plan view of FIG. 11;

FIG. 17 is a front view of an undergarment for a girl, shown in a position of use, according to a third embodiment of the present disclosure;

FIG. 18 is a front perspective view of the undergarment for a girl of FIG. 17;

FIG. 19 is a front elevational view of FIG. 18 shown in an open position;

FIG. 20 is a rear elevational view of FIG. 18 shown in an open position;

FIG. 21 is a left side elevational view of FIG. 20;

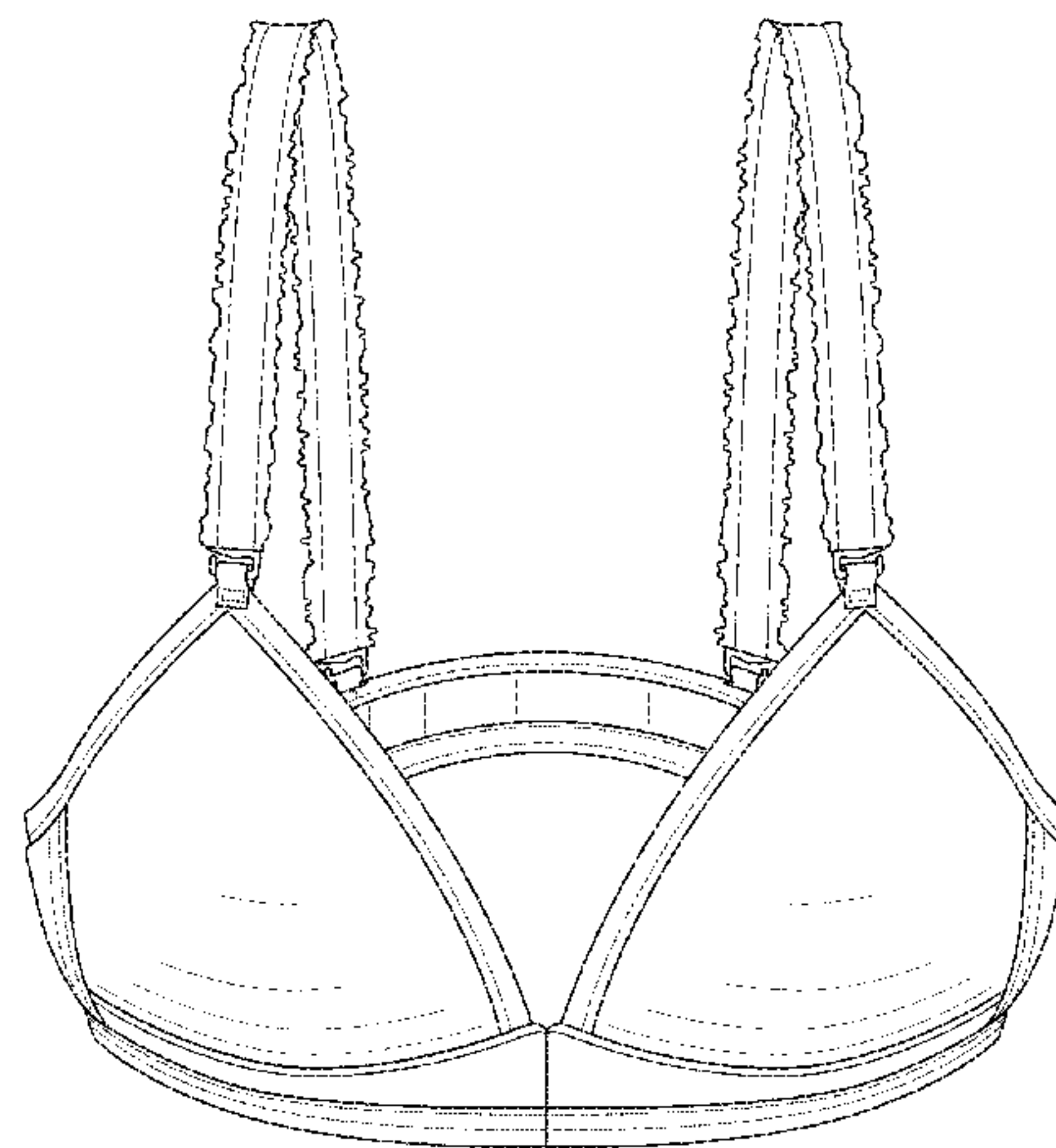
FIG. 22 is a right side elevational view of FIG. 20;

FIG. 23 is a top plan view of FIG. 19; and,

FIG. 24 is a bottom plan view of FIG. 19.

The broken lines, shown as dash-dot-dot-dash lines, depict portions of the undergarment for a girl and environmental subject matter that form no part of the claim. However,

(Continued)



evenly-spaced dashed lines depict stitching of the undergarment for a girl that forms part of the claim.

1 Claim, 15 Drawing Sheets

(58) Field of Classification Search

CPC A41C 3/00; A41C 3/0028; A41C 3/0057;
 A41C 3/08; A41C 3/12; A41C 3/04;
 A41C 3/06; A41D 13/0017; A41F 1/006
 See application file for complete search history.

(56) References Cited

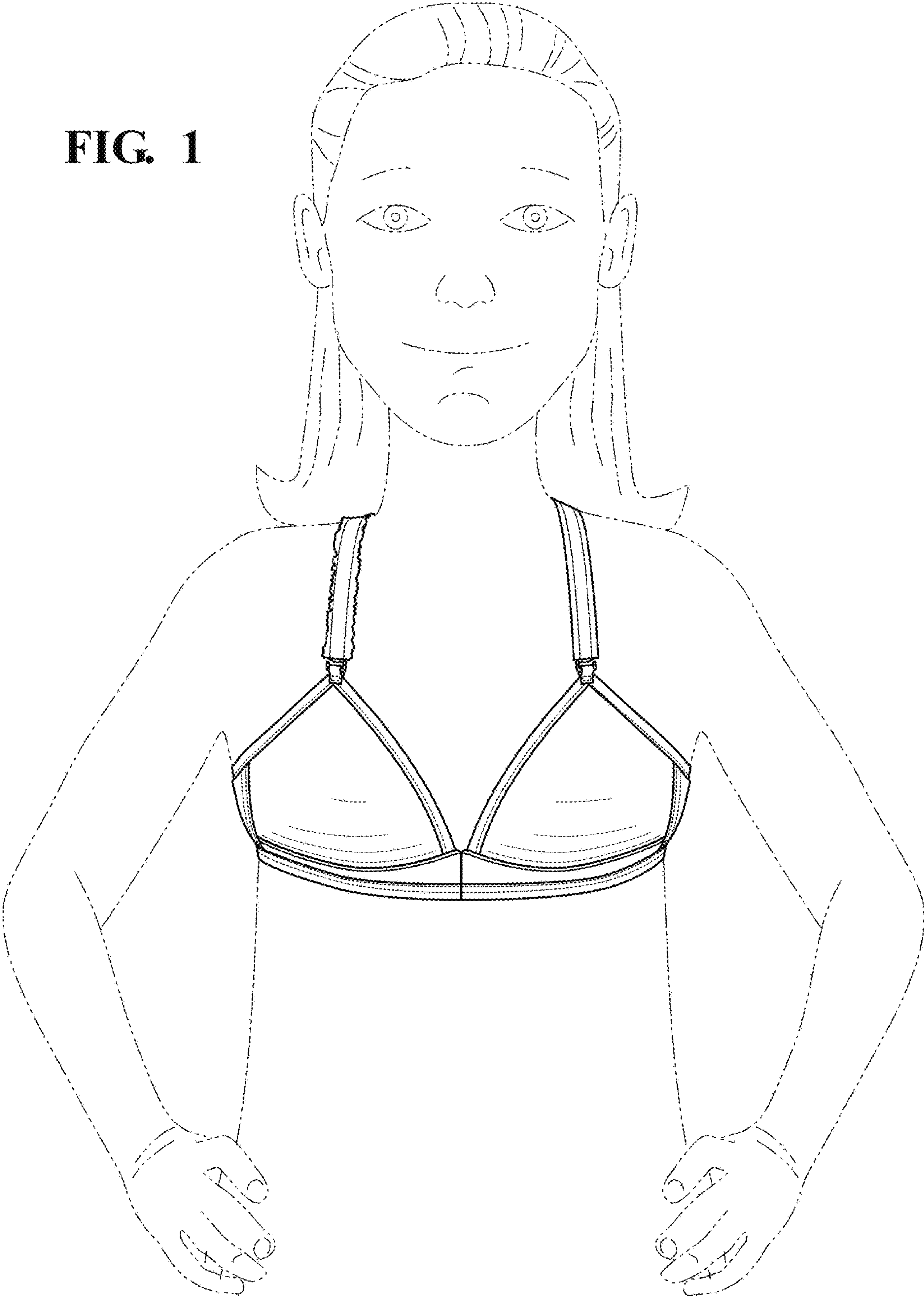
U.S. PATENT DOCUMENTS

2,923,301 A * 2/1960 Di Tullio A41C 3/00
 450/60
 3,338,242 A * 8/1967 Gernreich A41C 3/00
 450/70
 3,378,012 A 4/1968 Schwartz

3,393,682 A * 7/1968 Cole A41C 3/00
 450/66
 3,409,017 A * 11/1968 Ramsell A41C 3/0021
 450/36
 D220,897 S 6/1971 Pioli
 D234,444 S * 3/1975 Greenblatt D2/708
 D238,908 S * 2/1976 Guberman D2/707
 D240,771 S * 8/1976 Lipton D2/709
 D254,517 S 3/1980 Henson
 D256,288 S * 8/1980 Stern D2/708
 D465,637 S 11/2002 Marco et al.
 D560,877 S * 2/2008 Utaka D2/706
 D597,278 S 8/2009 Cavosie
 D599,081 S 9/2009 Heer
 D604,476 S 11/2009 Allen et al.
 D625,487 S 10/2010 Hendrickson
 D709,670 S 7/2014 Vericella
 D765,343 S 9/2016 Crevi et al.
 D784,653 S * 4/2017 Yamamoto D2/706
 D798,531 S 10/2017 Dacumos
 D798,532 S 10/2017 Dacumos
 2010/0267313 A1 * 10/2010 Allen A41C 3/00
 450/39

* cited by examiner

FIG. 1



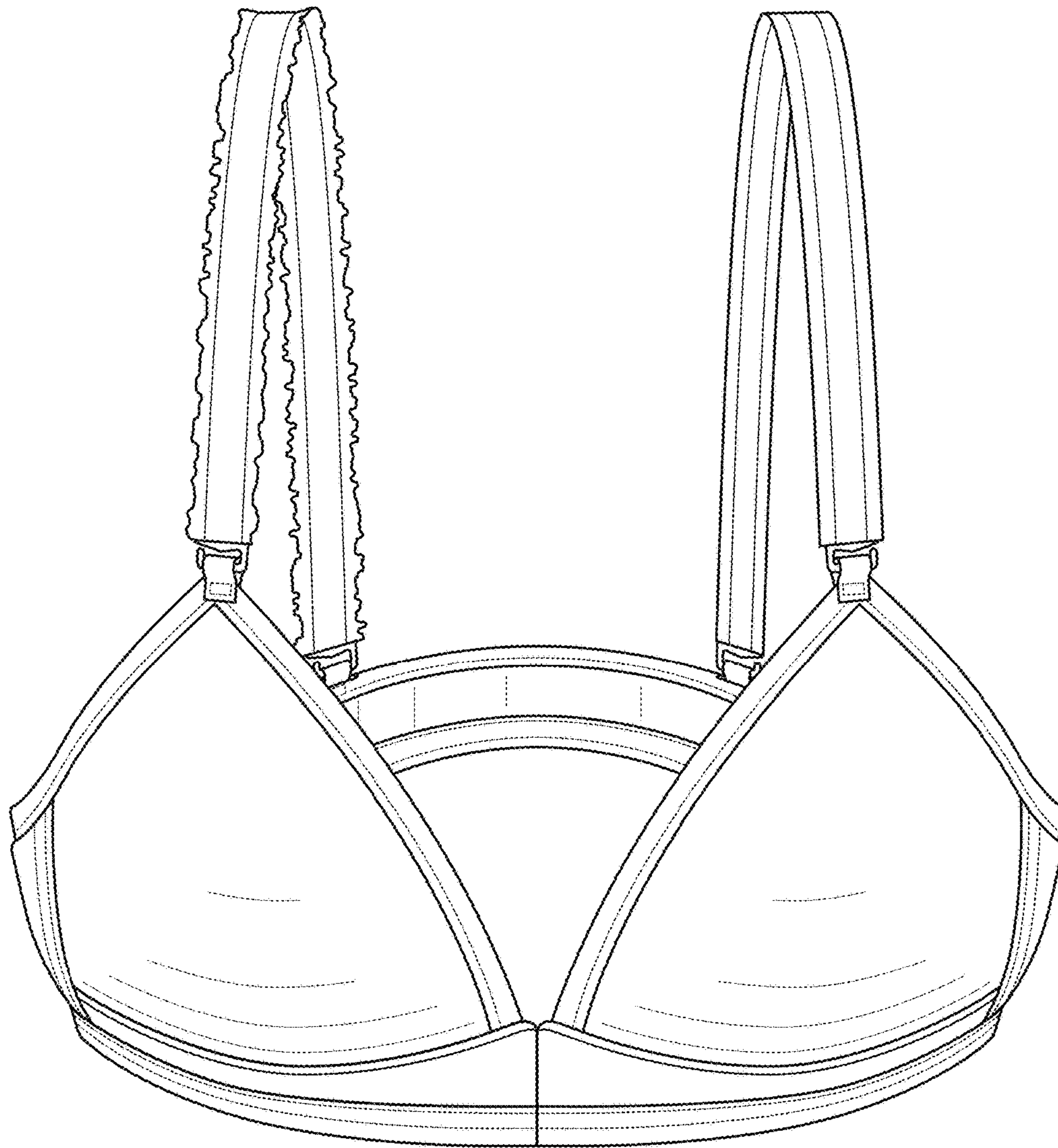


FIG. 2

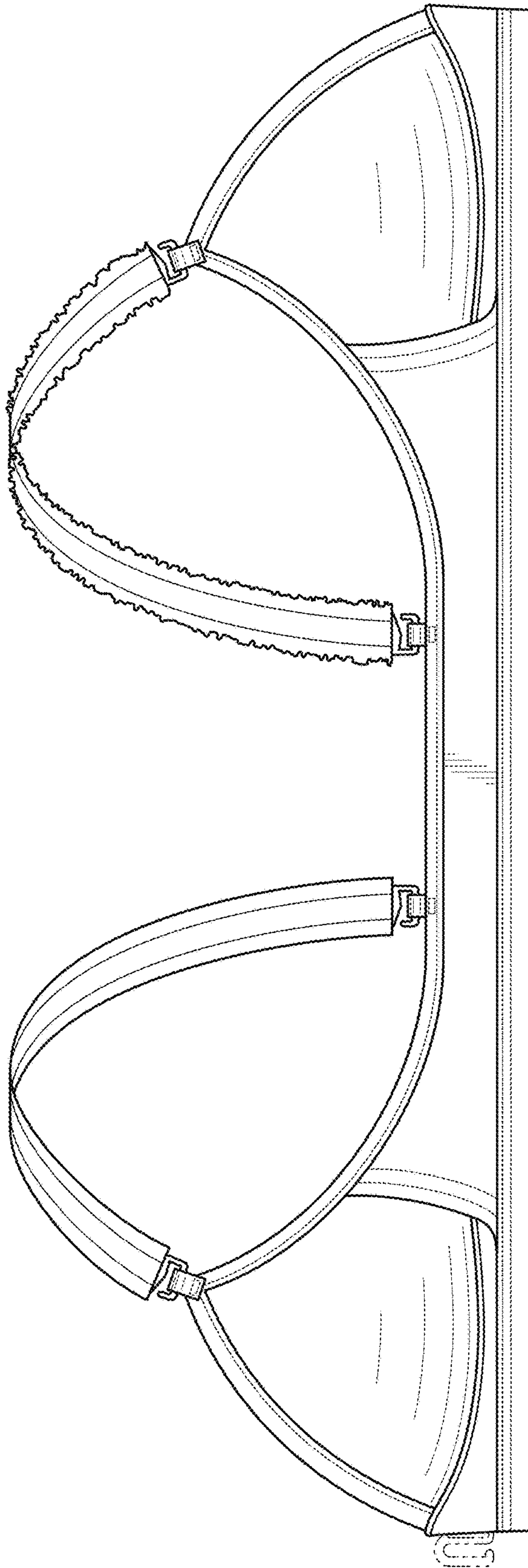


FIG. 3

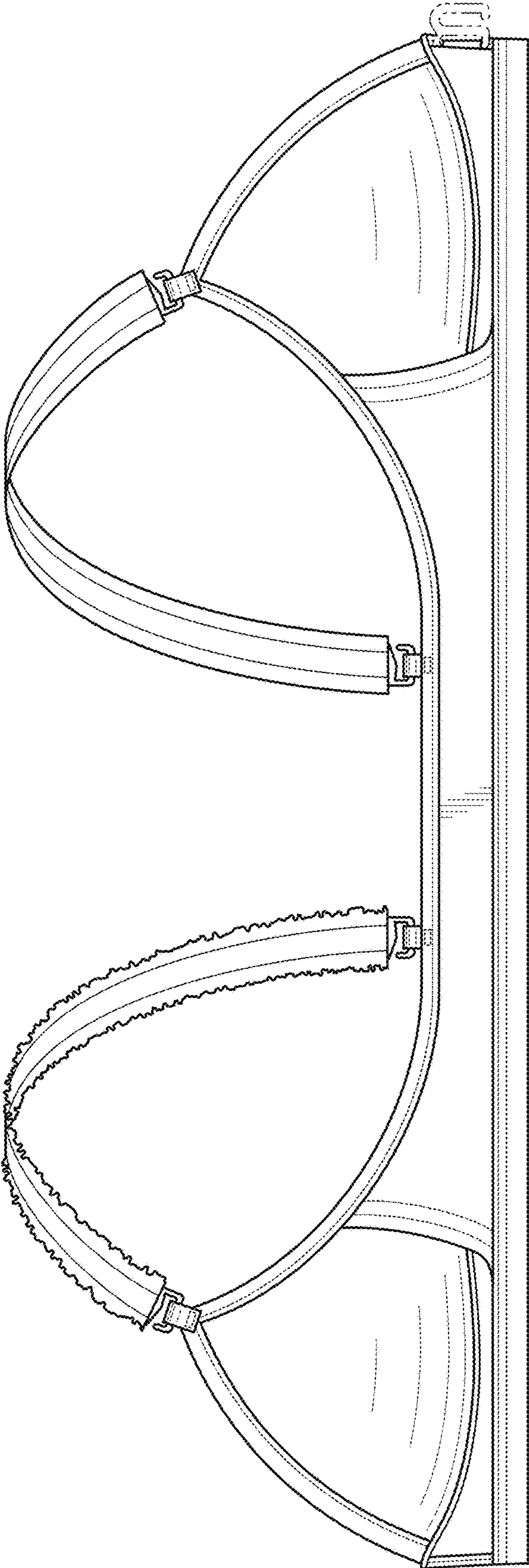


FIG. 4



FIG. 5

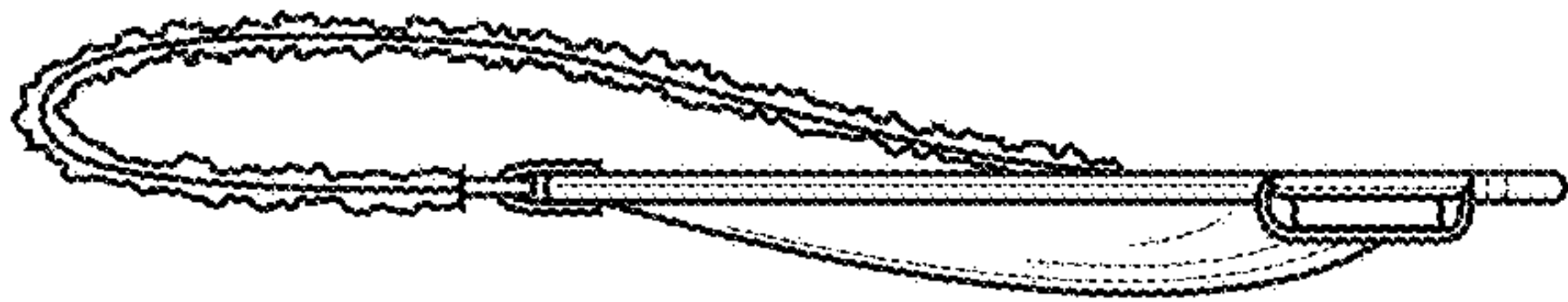


FIG. 6

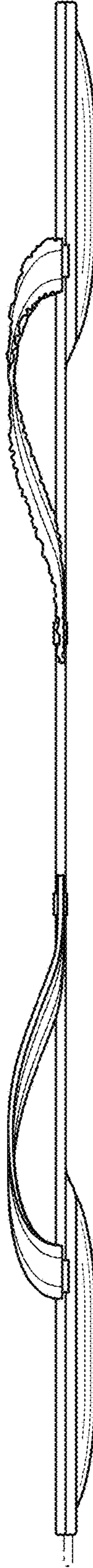


FIG. 7

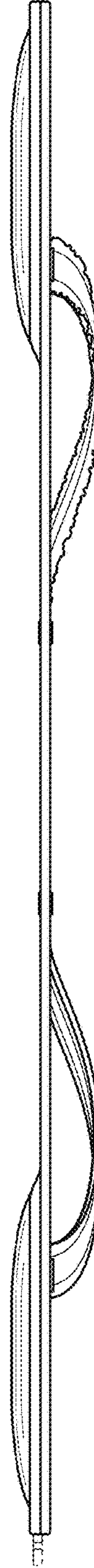
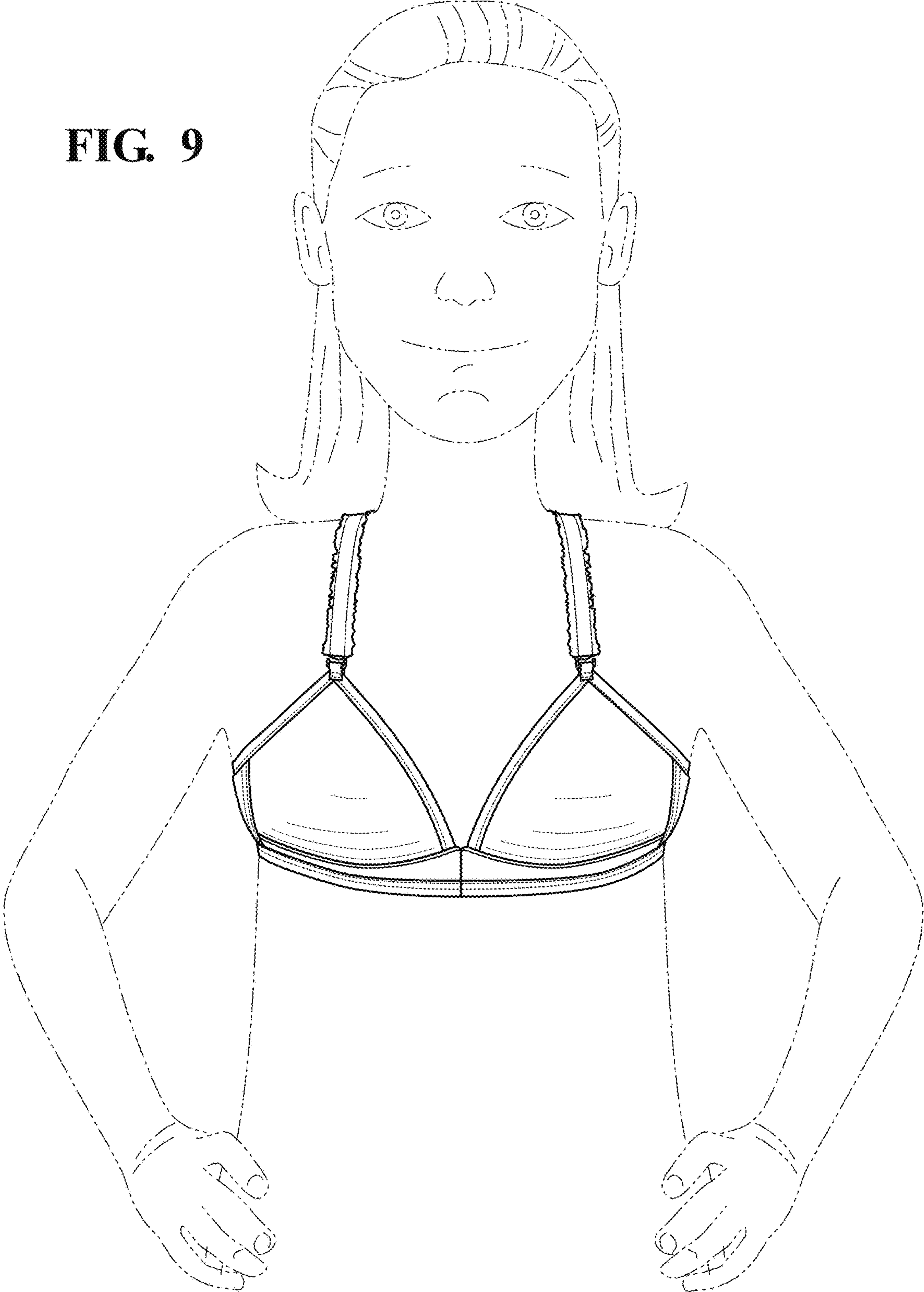


FIG. 8

FIG. 9



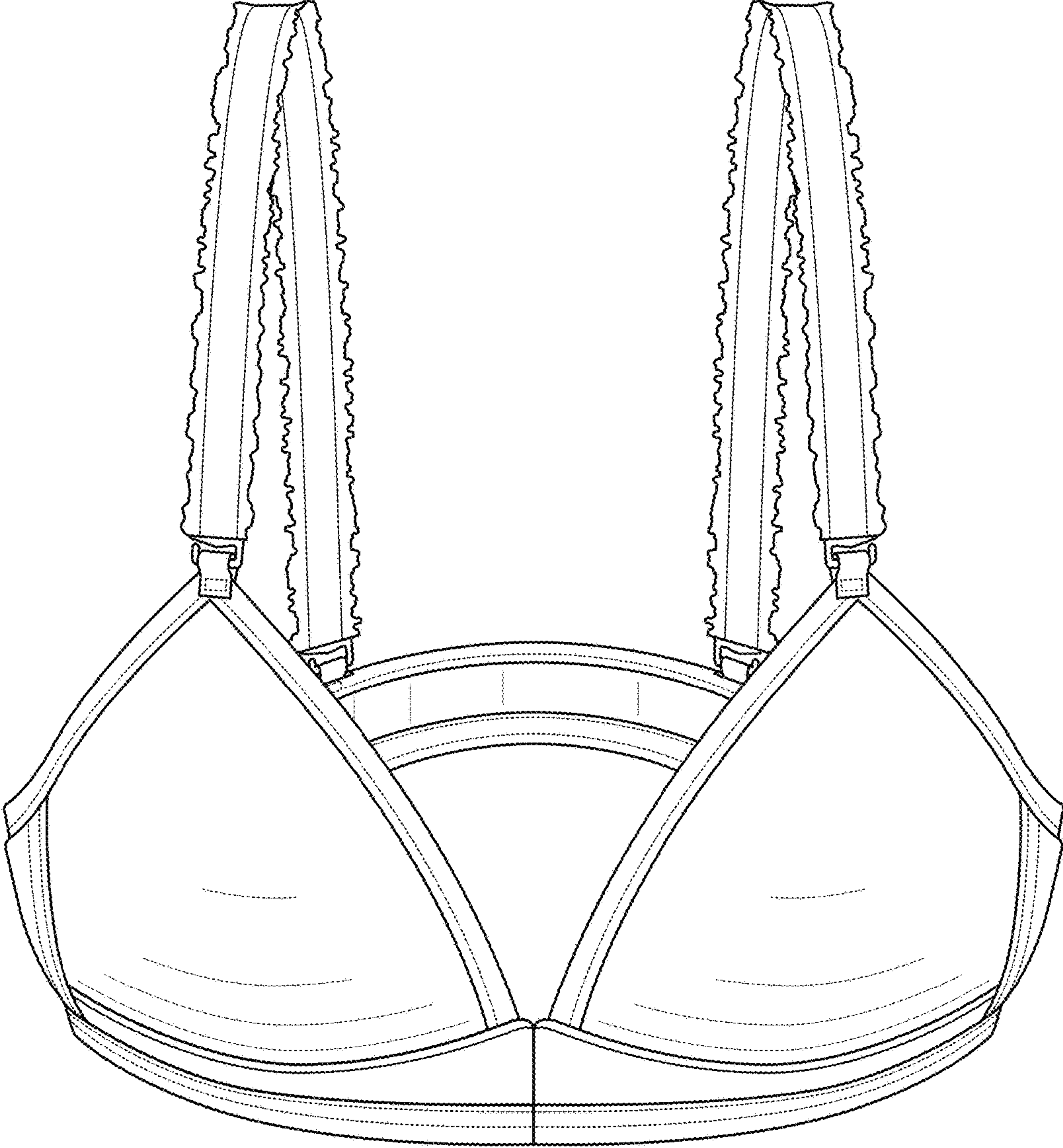


FIG. 10

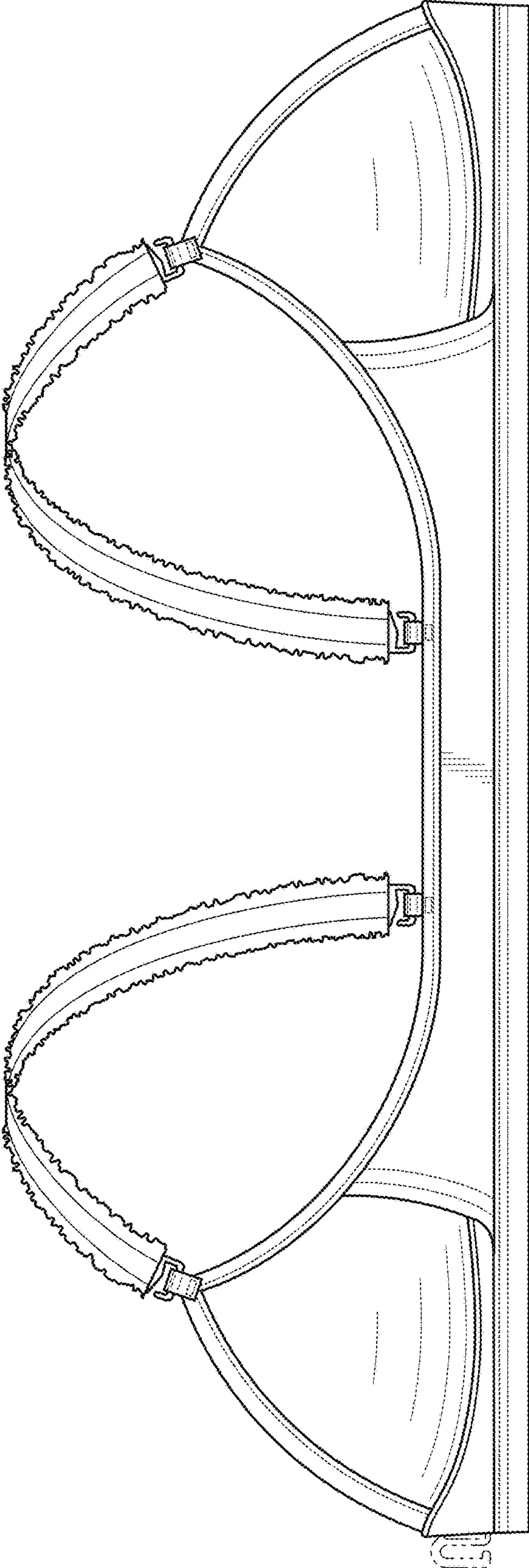


FIG. 11

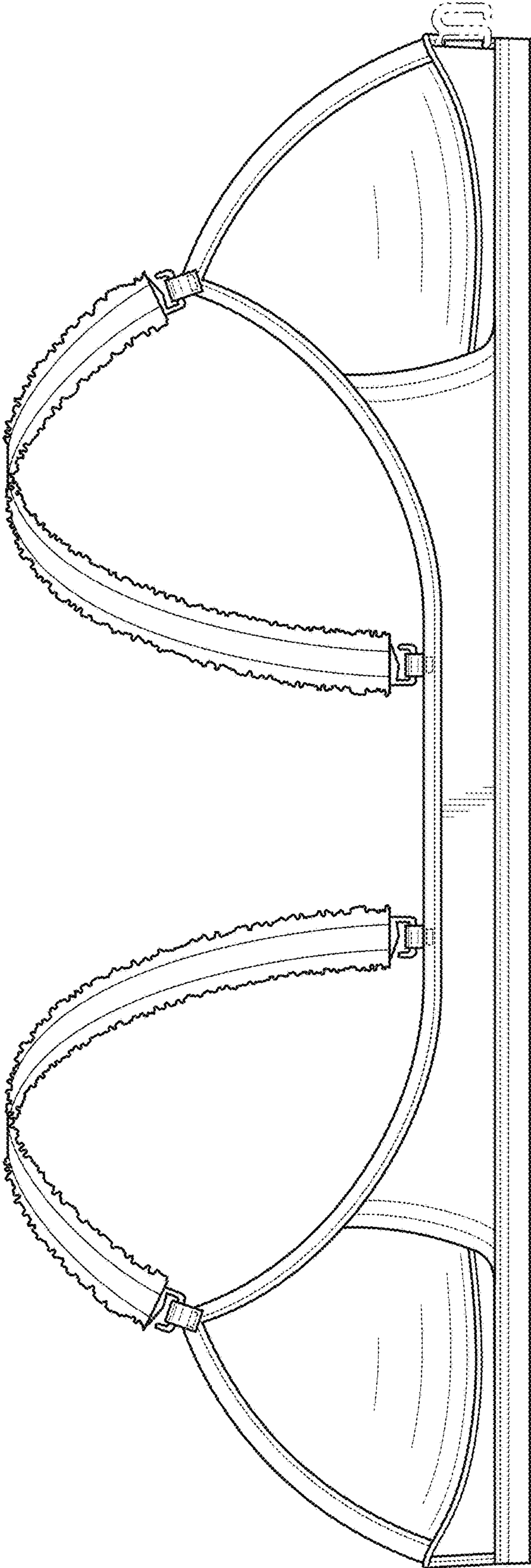


FIG. 12



FIG. 13



FIG. 14

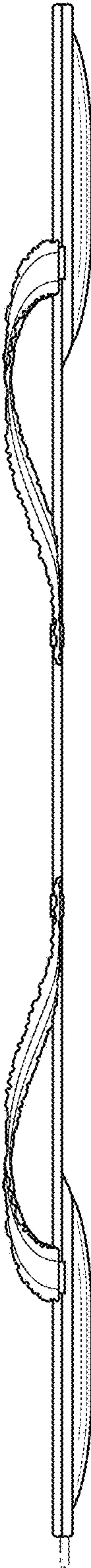


FIG. 15

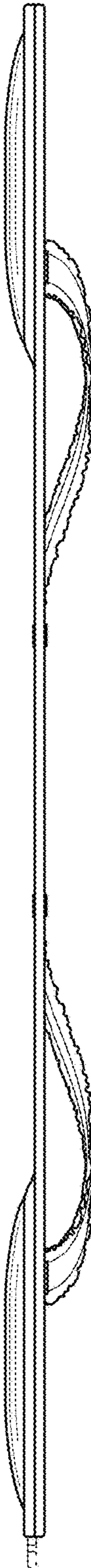
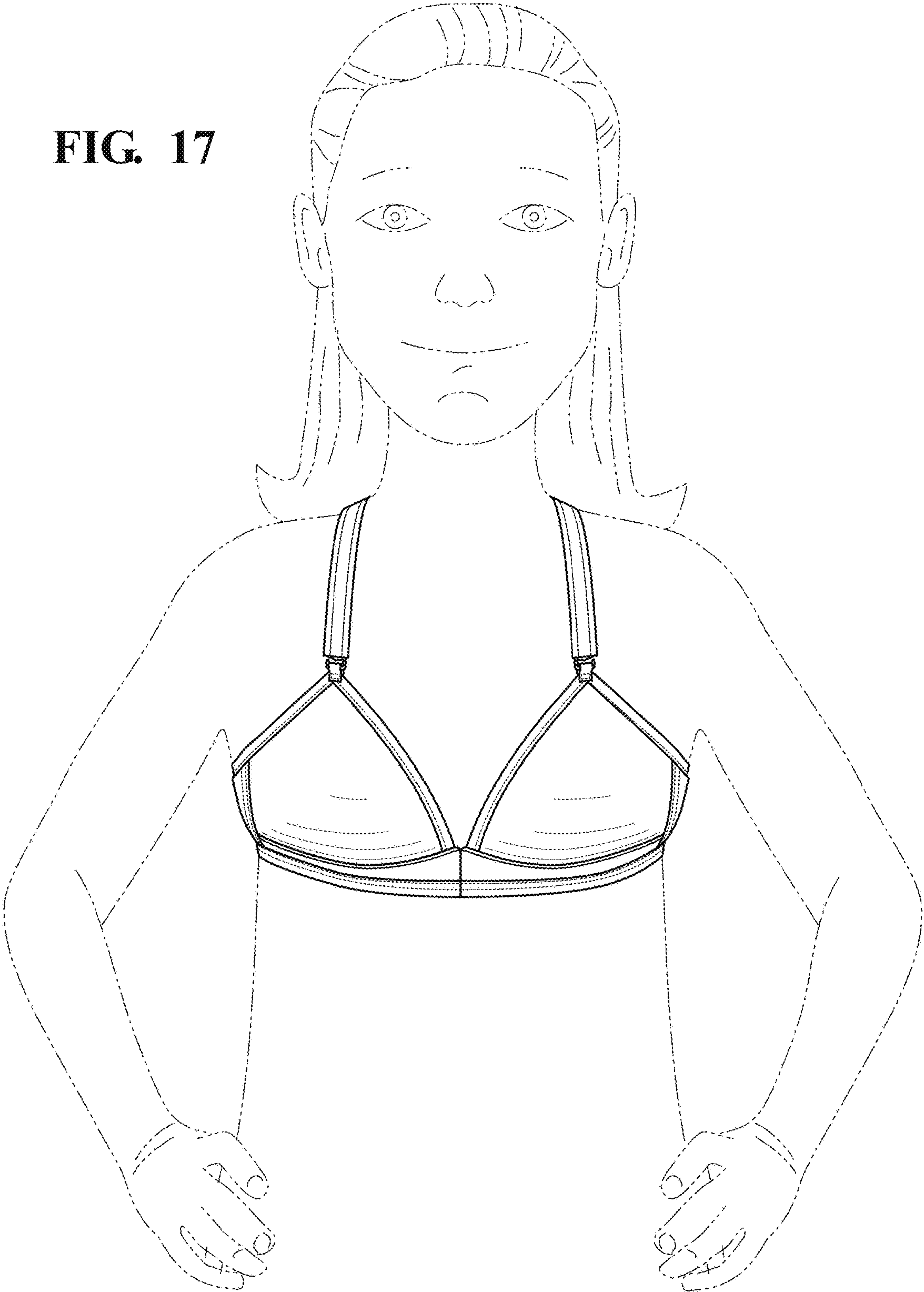


FIG. 16

FIG. 17



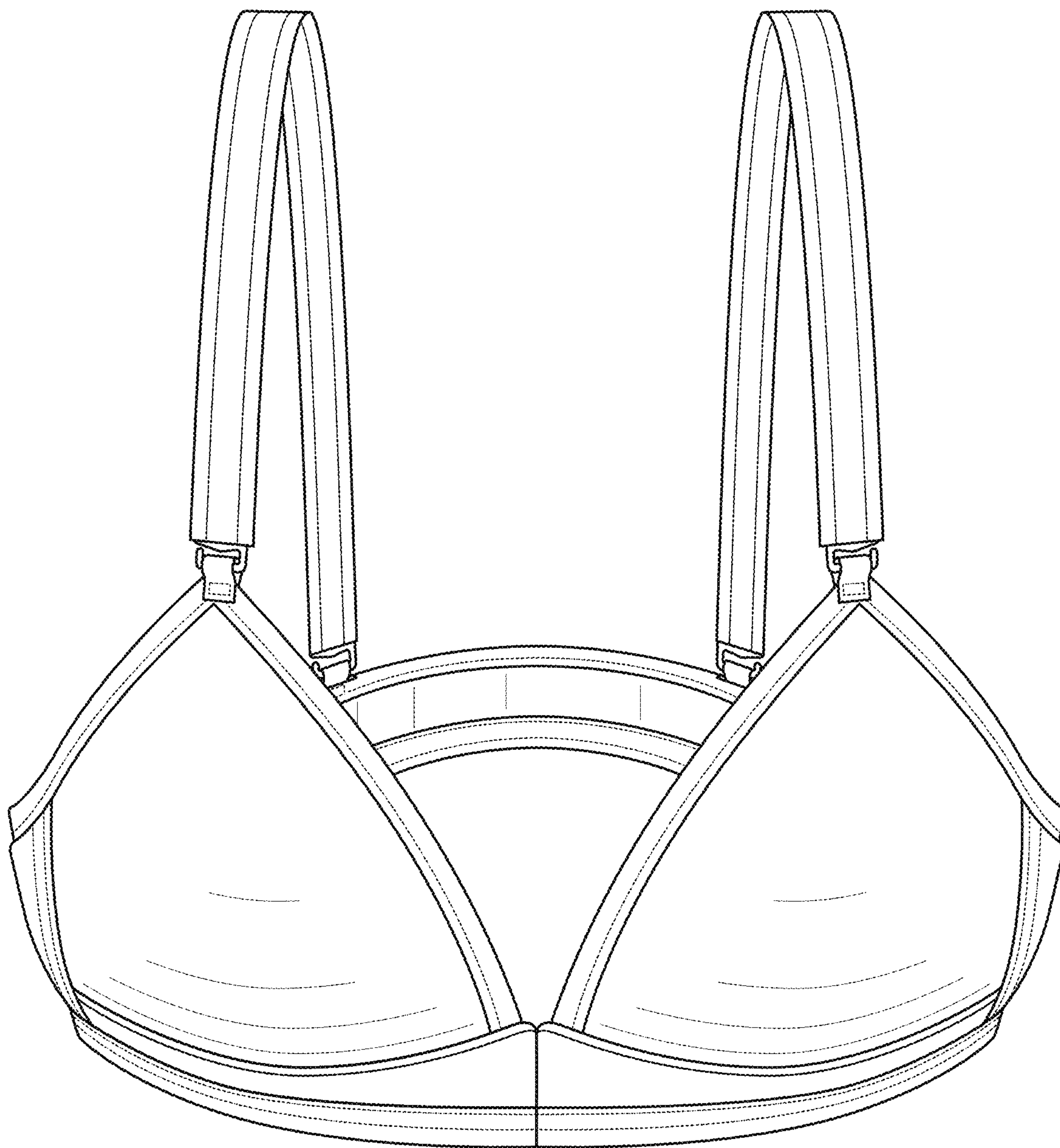


FIG. 18

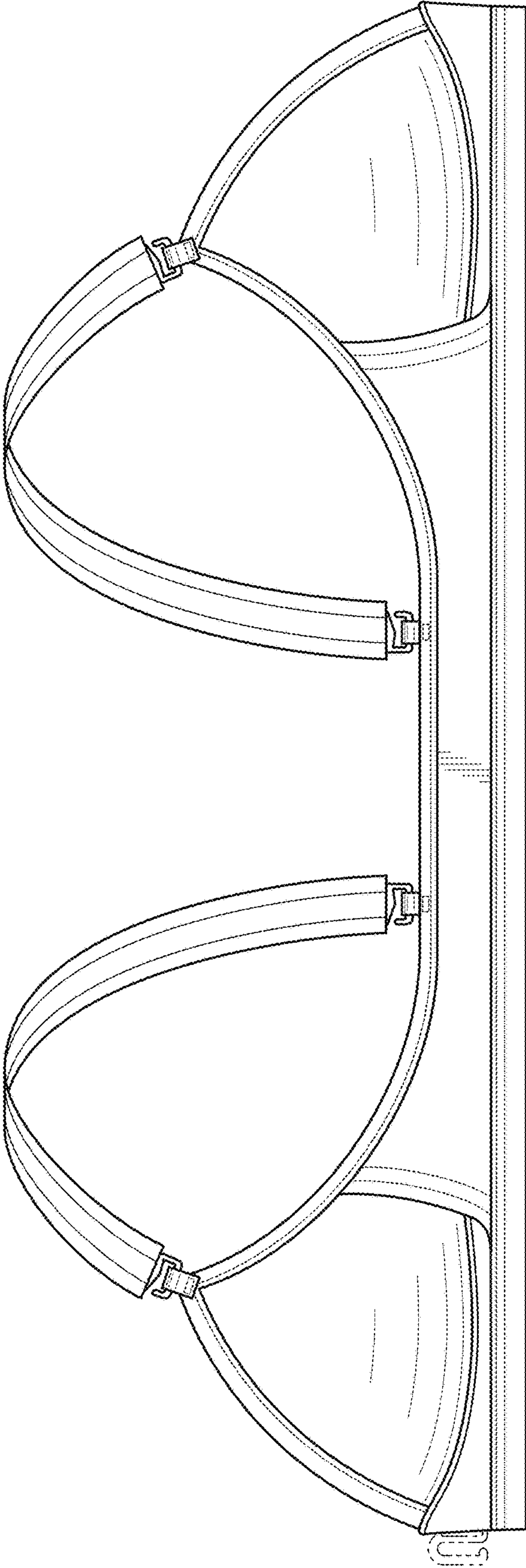


FIG. 19

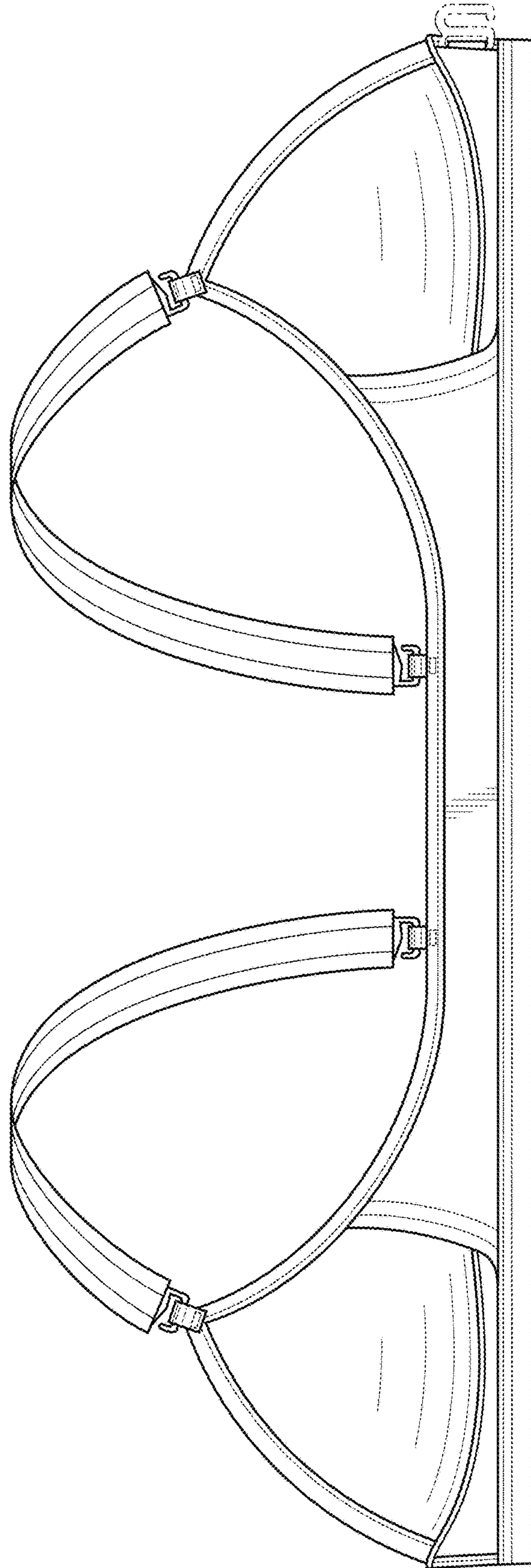


FIG. 20

FIG. 22



FIG. 21

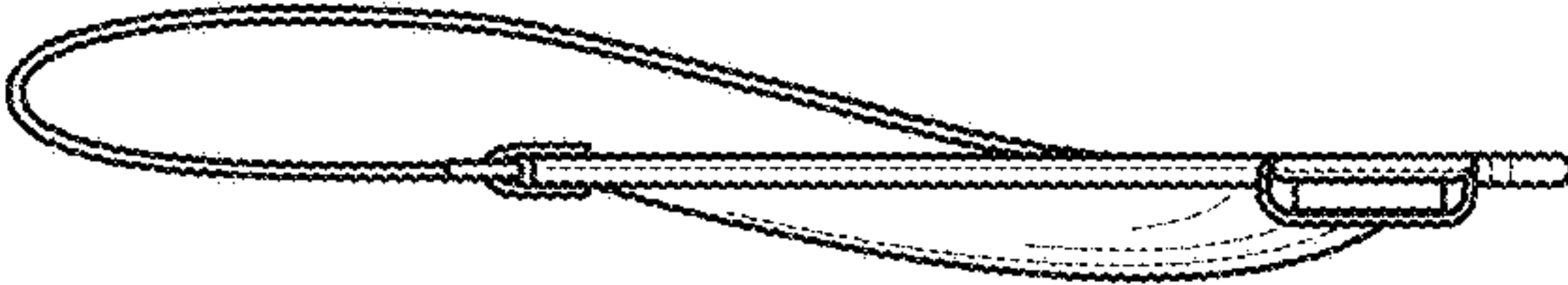


FIG. 23

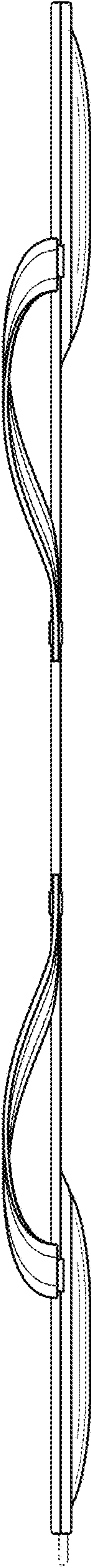


FIG. 24

