



US00D817588S

(12) **United States Design Patent**  
**Fraser**

(10) **Patent No.:** **US D817,588 S**

(45) **Date of Patent:** **\*\* May 8, 2018**

- (54) **HEART-SHAPED URN**
- (71) Applicant: **United Priority Distributors LLC**,  
Three Rivers, CA (US)
- (72) Inventor: **Tyler Fraser**, Visalia, CA (US)
- (73) Assignee: **UNITED PRIORITY**  
**DISTRIBUTORS LLC**, Three Rivers,  
CA (US)
- (\*\*) Term: **15 Years**

- 3,016,178 A \* 1/1962 Knocks ..... B65D 11/00  
229/116.2
  - 3,610,510 A \* 10/1971 Lowry ..... B65D 1/34  
206/457
  - D228,114 S \* 8/1973 De La Rosa ..... D7/542
  - D239,596 S \* 4/1976 Dogliotti ..... D18/56
  - D240,645 S \* 7/1976 Miyazaki ..... D99/35
  - D240,816 S \* 8/1976 Peterson ..... D19/33
  - D254,180 S \* 2/1980 Morin ..... D7/612
  - 4,454,204 A \* 6/1984 Posey ..... A63H 5/00  
428/11
  - 4,542,631 A \* 9/1985 Esser, III ..... A44C 25/00  
206/457
  - D299,275 S \* 1/1989 Ott ..... D24/103
- (Continued)

- (21) Appl. No.: **29/625,068**
- (22) Filed: **Nov. 7, 2017**
- (51) **LOC (11) Cl.** ..... **99-00**
- (52) **U.S. Cl.**  
USPC ..... **D99/5**
- (58) **Field of Classification Search**  
USPC ..... D99/5, 34, 35, 37; 27/1, 2; D3/903,  
D3/294, 270, 271.1, 273, 221, 322, 328;  
D9/629, 433, 420, 505, 503, 504;  
D28/76, 80; D11/103, 136, 149, 125;  
446/8, 9, 76; 428/11, 542, 4; D7/710,  
D7/392.1; 206/6.1, 773, 457; 229/116.2;  
63/32, 19

See application file for complete search history.

(56) **References Cited**

**U.S. PATENT DOCUMENTS**

- 1,570,572 A \* 1/1926 Lowenstein ..... A45C 1/12  
232/4 R
- 1,849,409 A \* 3/1932 Schleicher ..... B65D 5/32  
229/116.2
- D118,920 S \* 2/1940 Trevisan ..... D9/780
- 2,604,254 A \* 7/1952 Rosenfield ..... B65D 5/32  
229/116.2
- 2,804,718 A \* 9/1957 Follis ..... A45C 1/12  
232/4 R

**OTHER PUBLICATIONS**

<https://www.inthelighturns.com/grapevine-pewter-heart-keepsake-urn.html>.

(Continued)

*Primary Examiner* — Paula Allen Greene  
(74) *Attorney, Agent, or Firm* — Mitchell Law PLLC;  
Matthew W. Mitchell

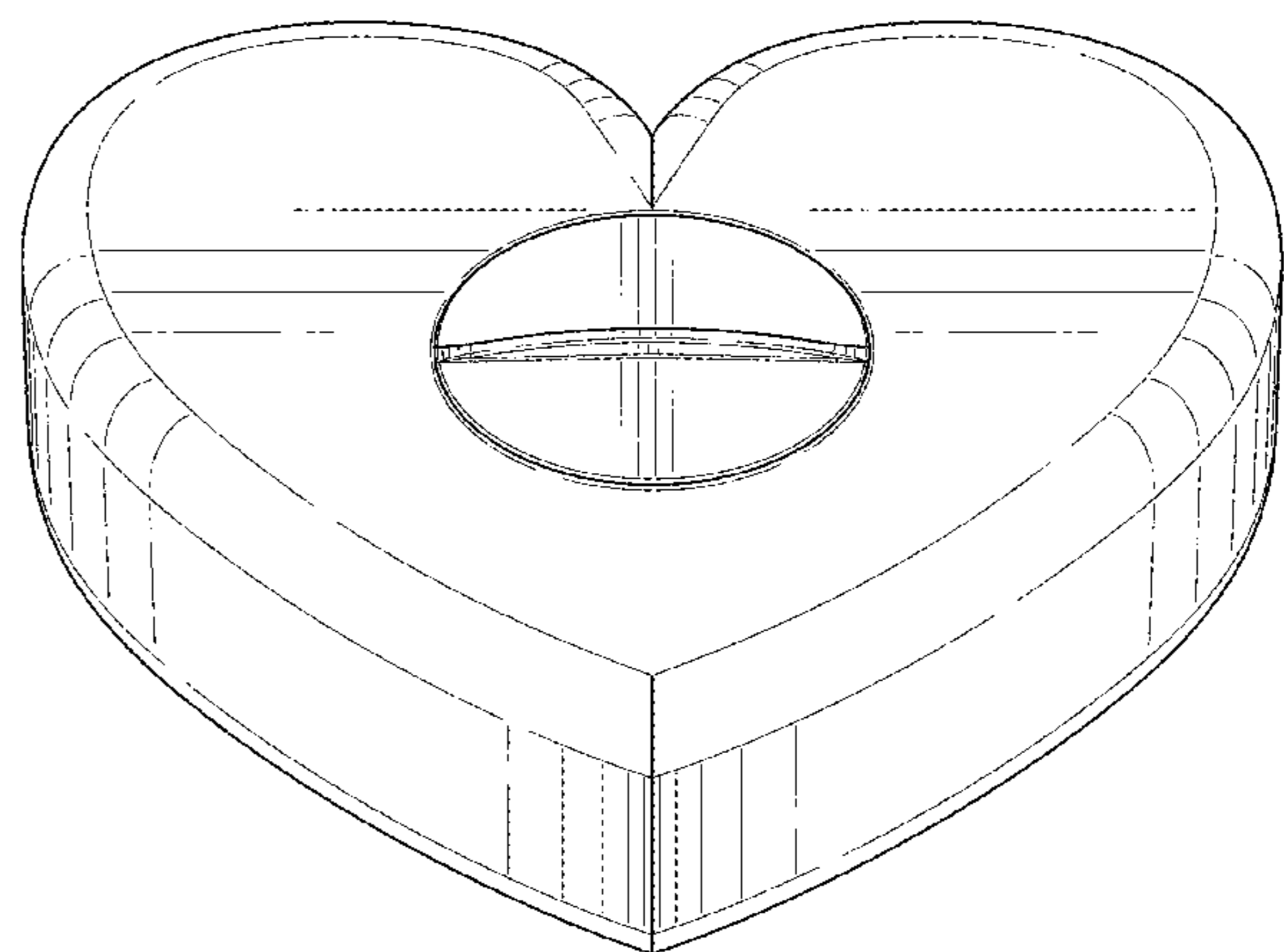
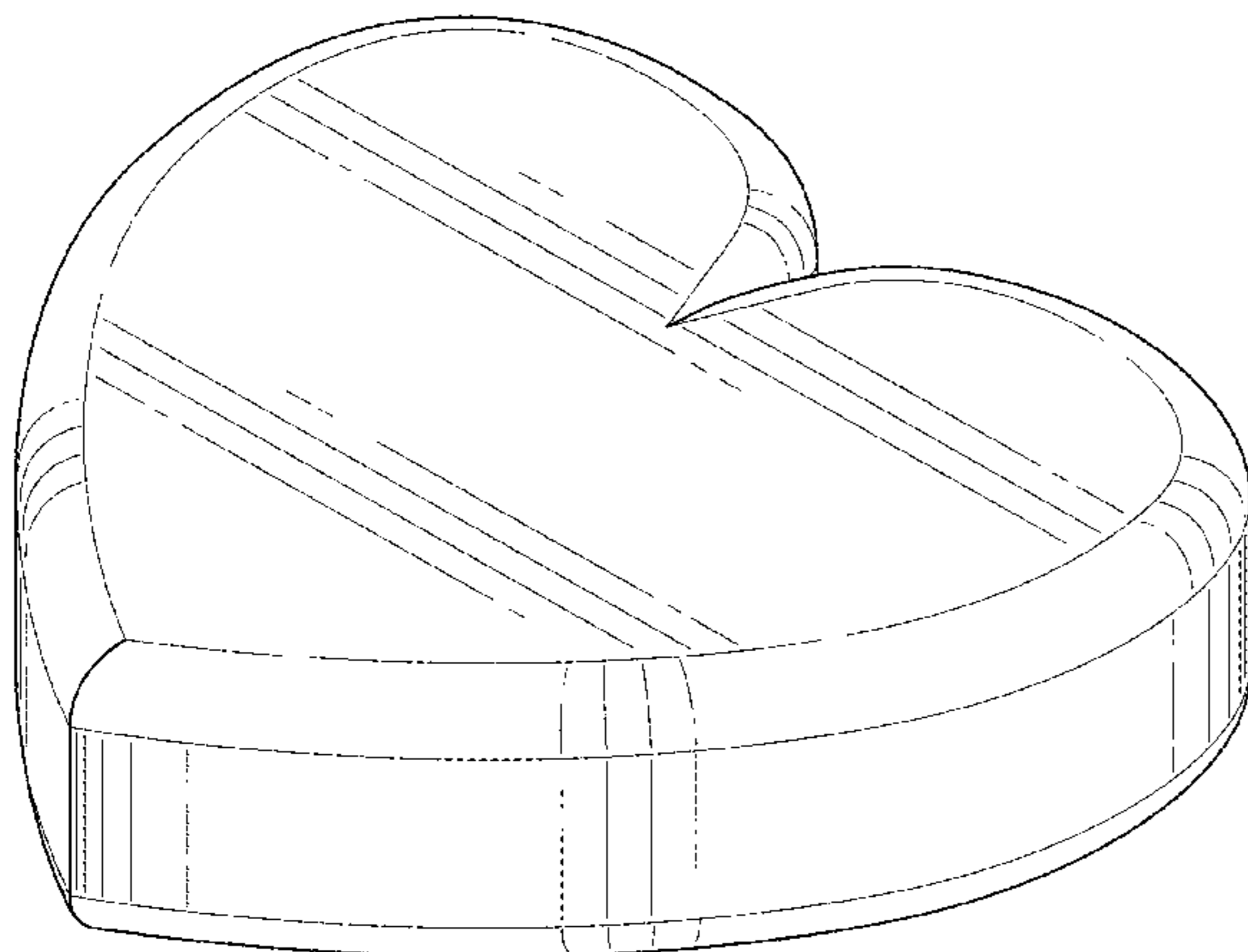
(57) **CLAIM**

The ornamental design for a heart-shaped urn, as shown.

**DESCRIPTION**

FIG. 1 is a front isometric view showing my new design;  
FIG. 2 is a back isometric view of invention;  
FIG. 3 is a top plan view of the invention;  
FIG. 4 is a bottom plan view of the invention;  
FIG. 5 is a side view of the invention, as seen from the right  
side of FIG. 3;  
FIG. 6 is a side view of the invention, as seen from the left  
side of FIG. 3;  
FIG. 7 is a front view of the invention; and,  
FIG. 8 is a rear view of the invention.

**1 Claim, 6 Drawing Sheets**



(56)

References Cited

U.S. PATENT DOCUMENTS

4,929,025 A \* 5/1990 Lu ..... A47C 3/16  
 267/133  
 5,400,917 A \* 3/1995 Stanton ..... B65D 3/10  
 220/612  
 D363,303 S \* 10/1995 Winston ..... D18/18  
 D375,456 S \* 11/1996 Borgmann ..... D9/629  
 D444,780 S \* 7/2001 Nunez ..... D14/191  
 D449,147 S \* 10/2001 Herwig ..... D1/112  
 D460,687 S \* 7/2002 Weinstock ..... D9/629  
 D460,692 S \* 7/2002 Cumberbatch ..... D9/504  
 6,422,388 B1 \* 7/2002 McCahey ..... B65D 5/029  
 206/457  
 D461,810 S \* 8/2002 Konig ..... D14/403  
 D470,991 S \* 2/2003 Goldstein ..... D99/5  
 D478,657 S \* 8/2003 Fontana ..... D24/102  
 D496,454 S \* 9/2004 Beck ..... D24/102  
 D508,166 S \* 8/2005 Liu ..... 3/271.1  
 D509,637 S 9/2005 Wozniak  
 D515,267 S 2/2006 Wozniak

D526,571 S \* 8/2006 Terrasi ..... D7/539  
 D528,036 S \* 9/2006 Pang ..... D11/103  
 D538,175 S \* 3/2007 Davies ..... 9/418  
 7,337,904 B2 \* 3/2008 Hengami ..... B65D 5/029  
 206/457  
 D574,190 S \* 8/2008 Homma ..... D7/510  
 D588,057 S \* 3/2009 Soler My ..... D13/100  
 D611,441 S \* 3/2010 Johansson ..... D14/138 AB  
 D622,024 S \* 8/2010 School ..... D99/5  
 D648,504 S \* 11/2011 Khan ..... D99/5  
 D731,738 S 6/2015 Jackson  
 D767,679 S 9/2016 Carroll  
 D803,481 S \* 11/2017 Reiner ..... D28/79

OTHER PUBLICATIONS

<http://aads.us/images/lup.jpg>.  
<https://www.pinterest.com/terrybearurns/silver-and-pewter-cremation-urns/>.  
<https://www.funeral-urn.com/brass-heart-urn.html>.

\* cited by examiner

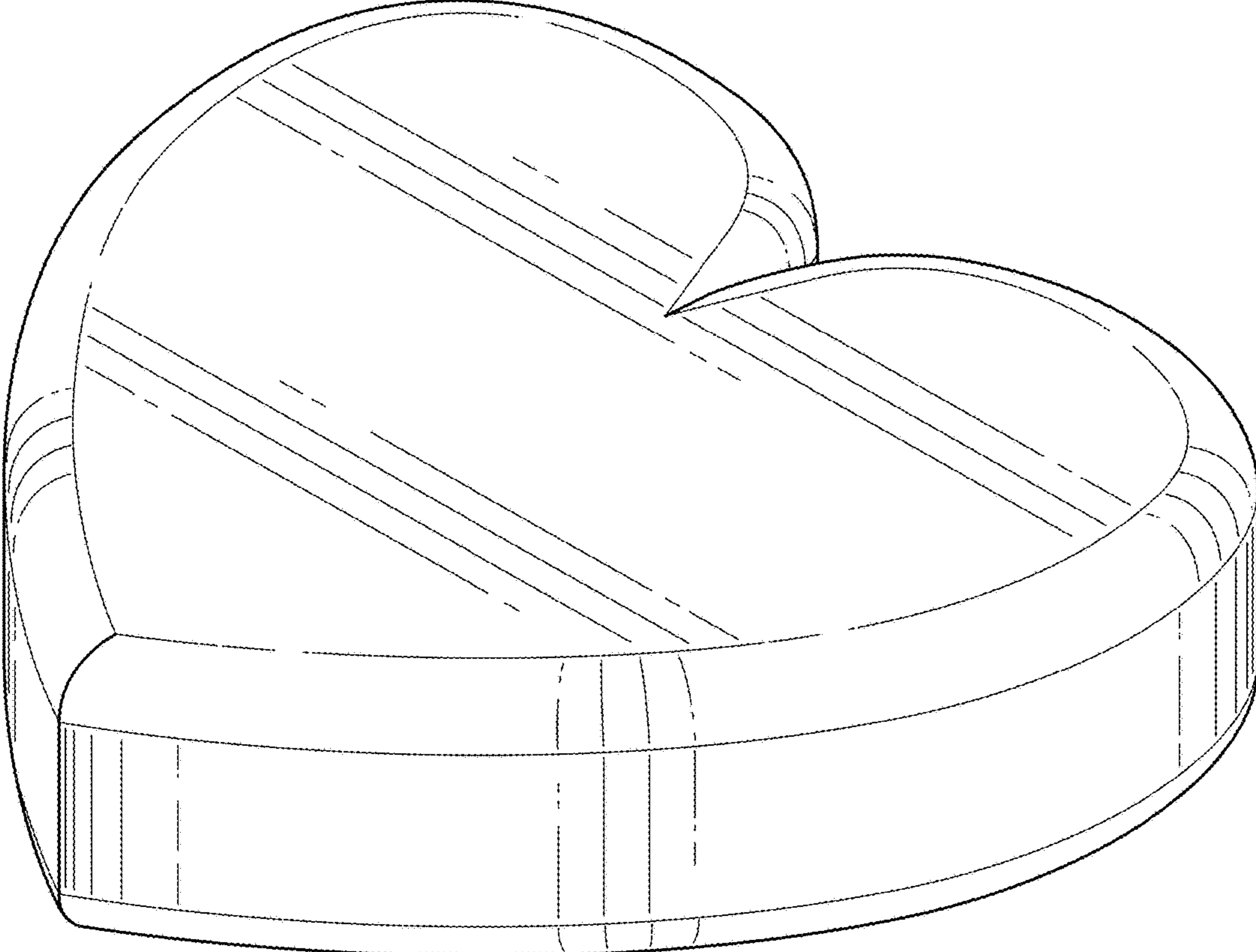


FIG. 1

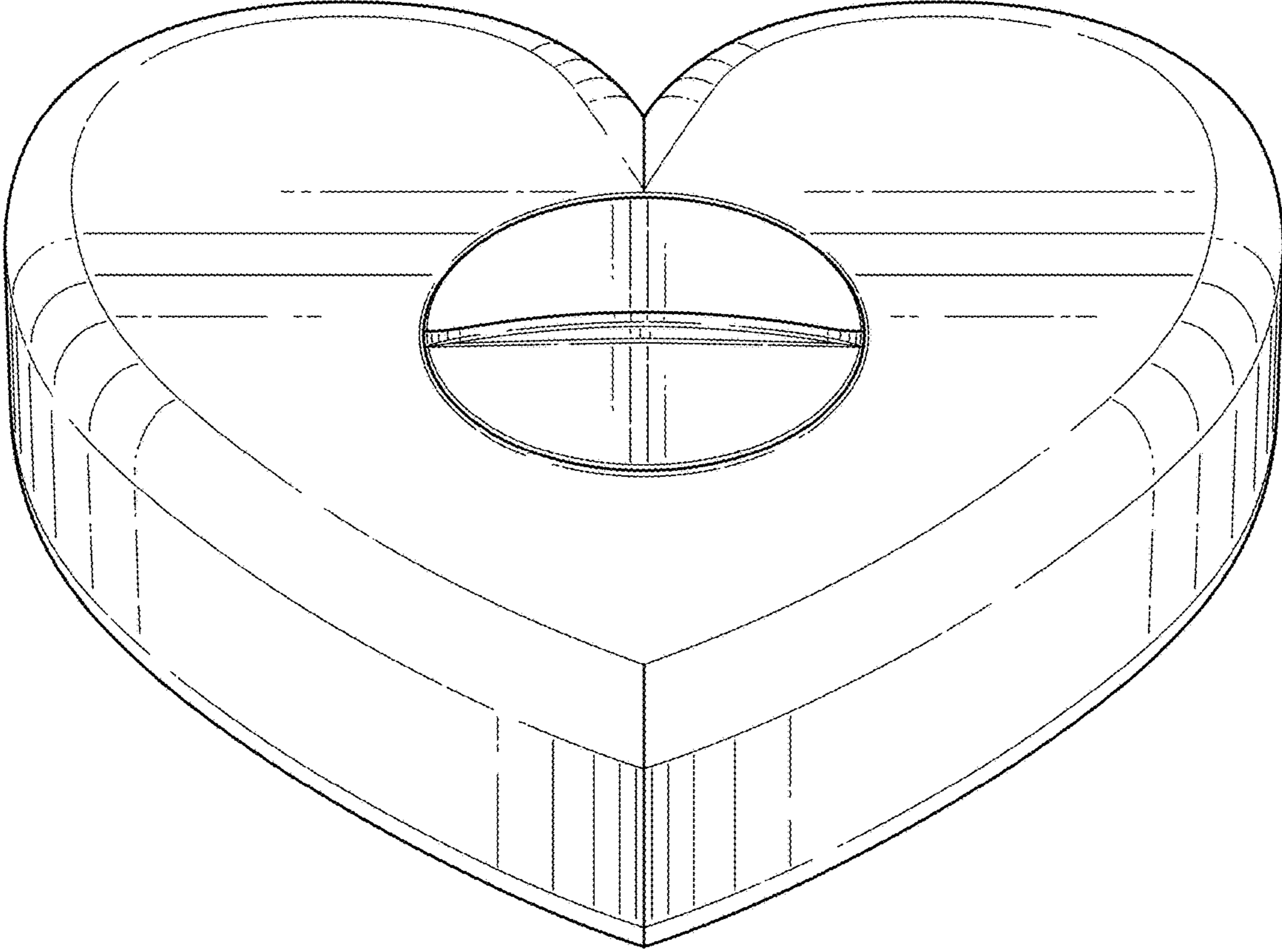


FIG. 2

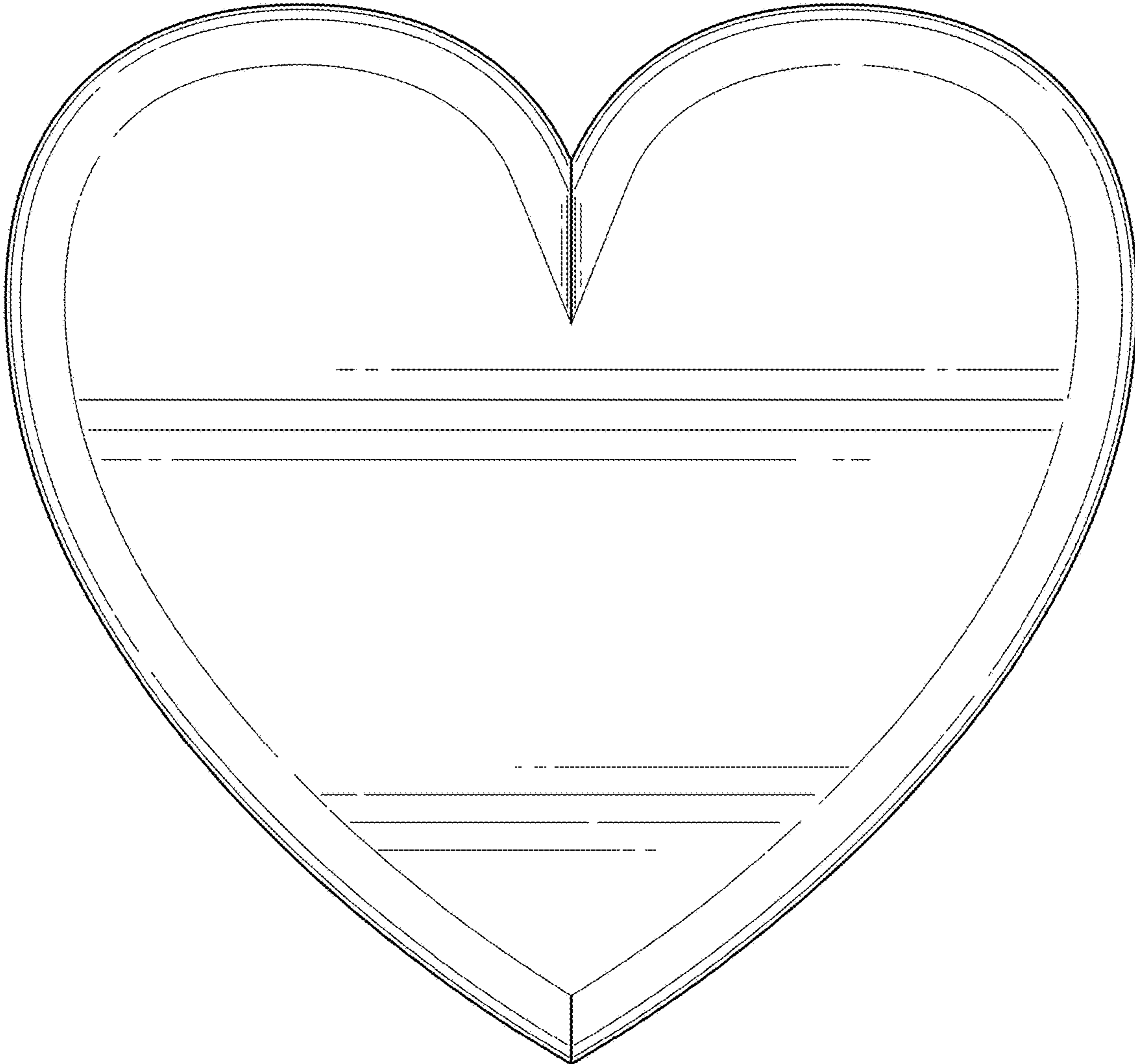


FIG. 3

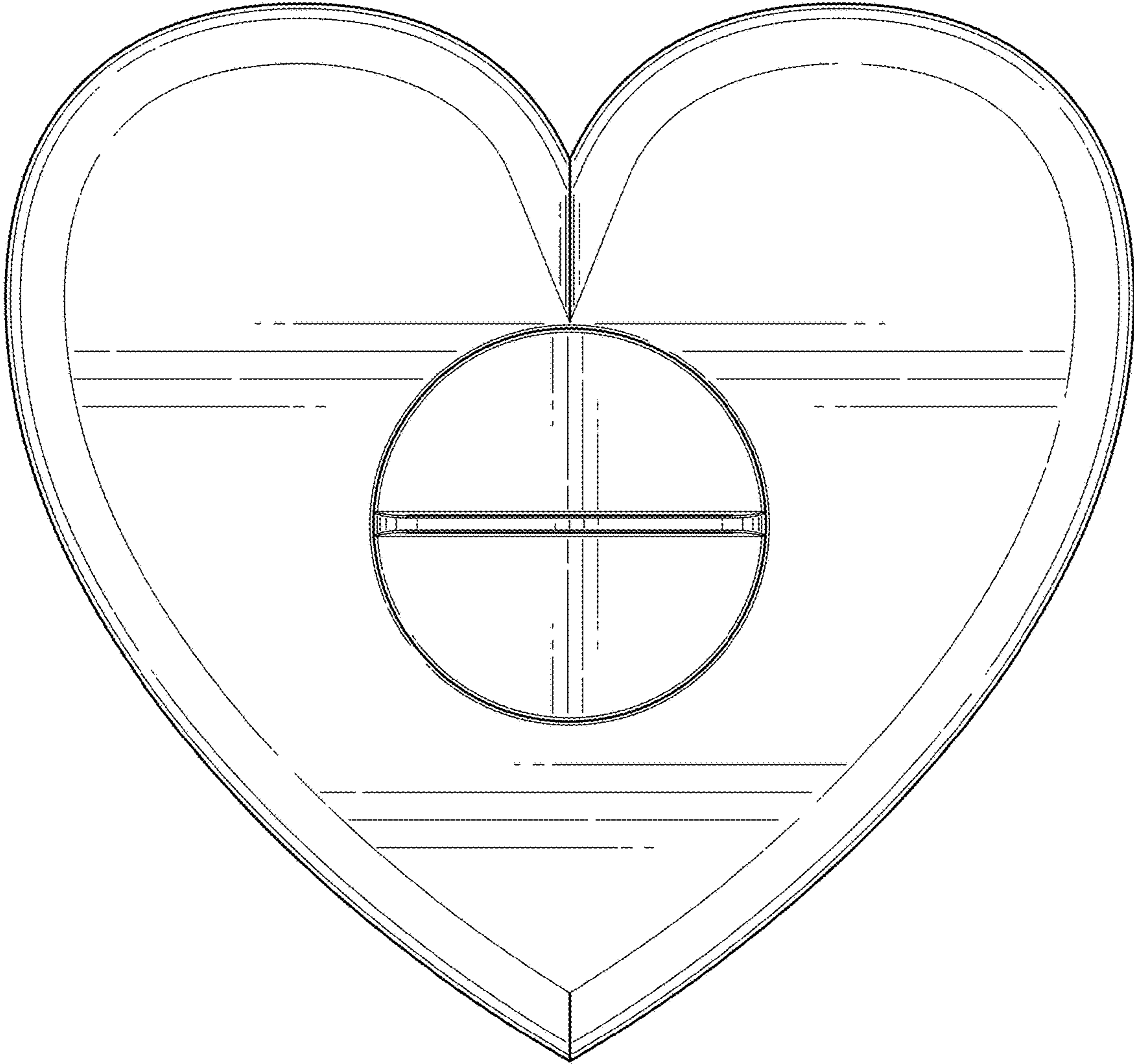


FIG. 4

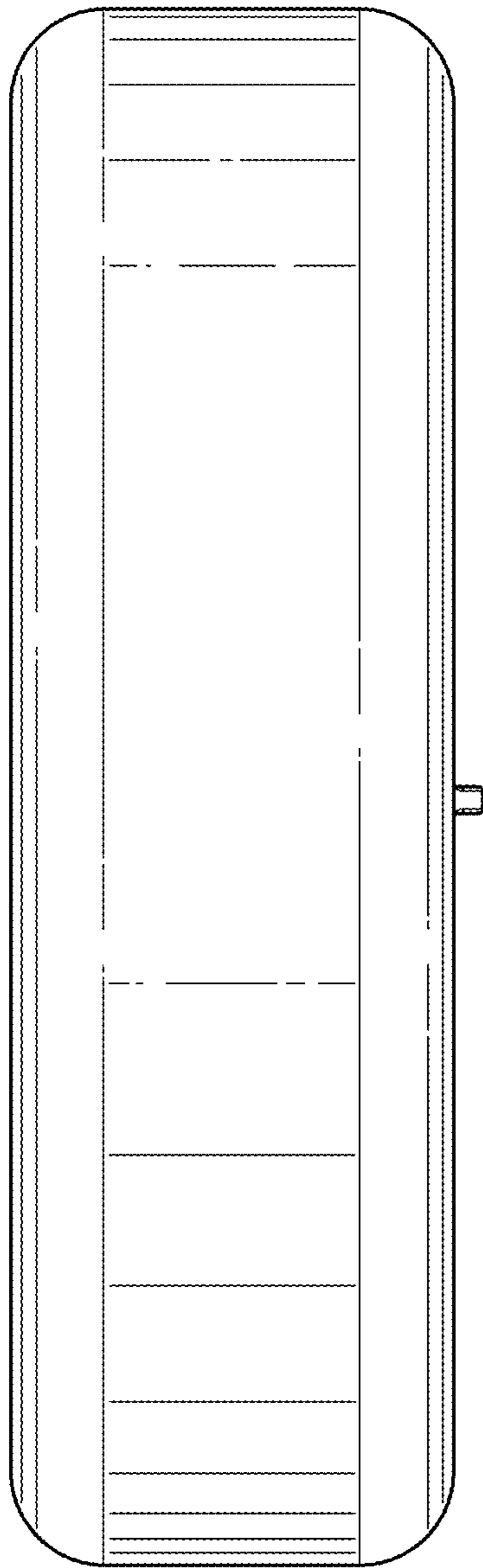


FIG. 5

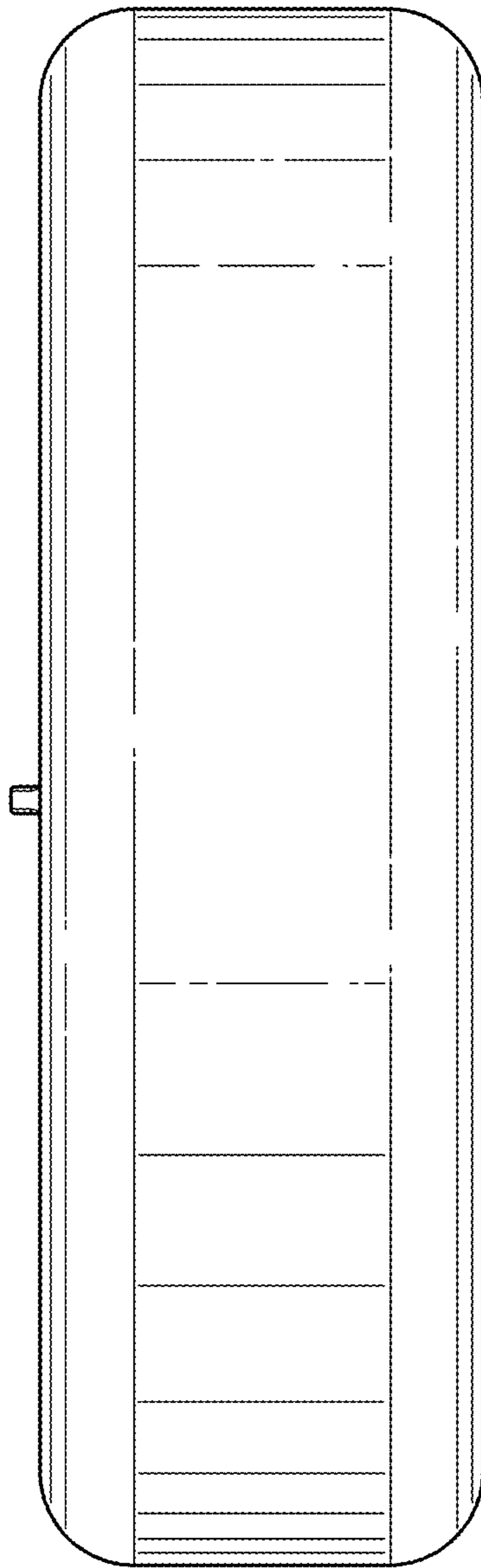


FIG. 6

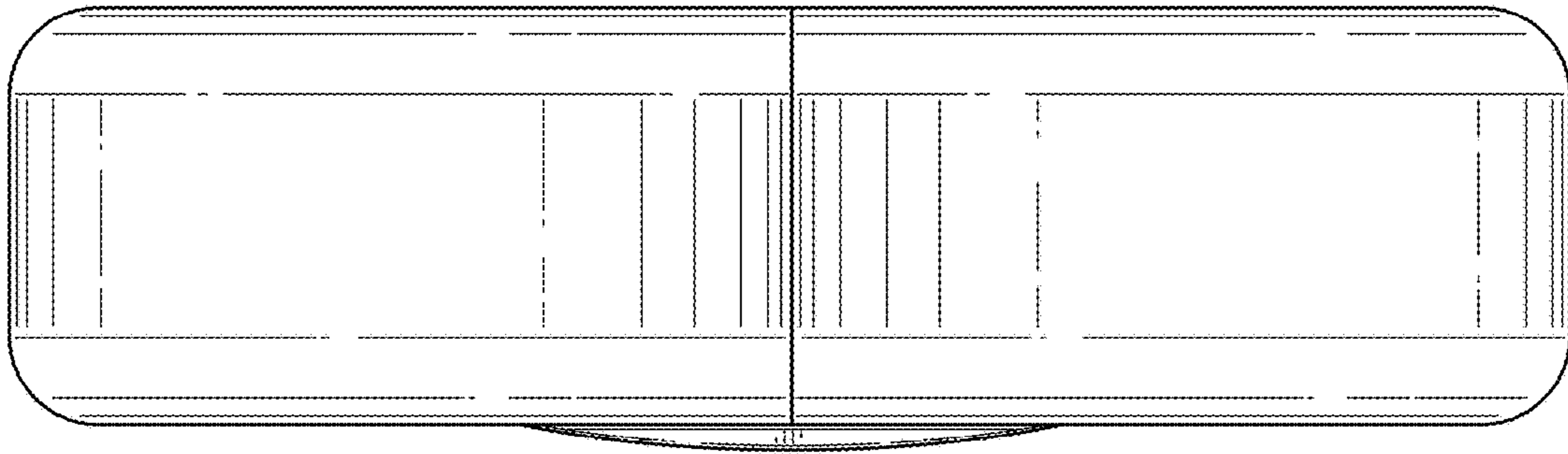


FIG. 7

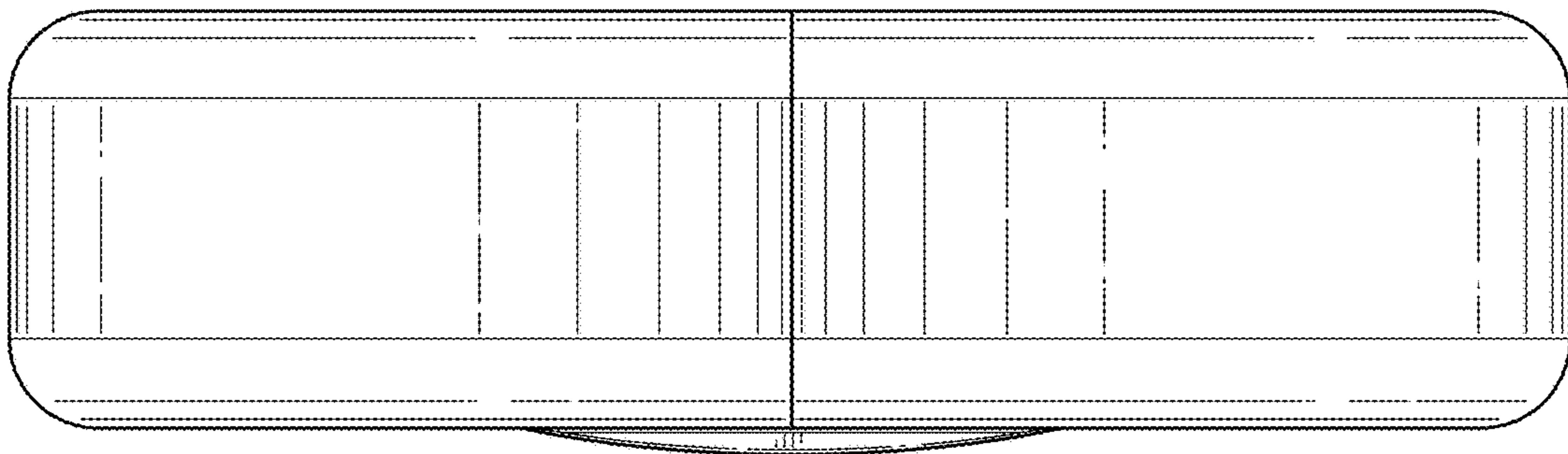


FIG. 8