



US00D817587S

(12) **United States Design Patent** (10) **Patent No.:** **US D817,587 S**  
**Saliaris** (45) **Date of Patent:** **\*\* May 8, 2018**

(54) **MODULAR PALLET**  
(71) Applicant: **Daniel P. Saliaris**, Delaware, OH (US)  
(72) Inventor: **Daniel P. Saliaris**, Delaware, OH (US)  
(\*\*) Term: **15 Years**

(21) Appl. No.: **29/592,652**  
(22) Filed: **Feb. 1, 2017**  
(51) **LOC (11) Cl.** ..... **09-08**  
(52) **U.S. Cl.**  
USPC ..... **D34/38**

(58) **Field of Classification Search**  
USPC ..... D34/28, 34, 35, 38; 229/117.05, 117,  
229/120.11, 122.28, 125.26, 122.21;  
108/51.3, 56.1, 901, 57.25, 51.11, 53.3,  
108/55.3, 57.28, 52.1, 53.1, 57.1;  
206/386  
CPC ..... B65D 2519/00273; B65D 2519/00293;  
B65D 2519/00323; B65D 19/12; B65D  
2519/00129; B65D 2519/00134; B65D  
2519/00174; B65D 2519/0087; B65D  
2519/00208; B65D 19/0012; B65D  
19/0016; B65D 19/0095  
See application file for complete search history.

(56) **References Cited**

**U.S. PATENT DOCUMENTS**

4,867,074 A \* 9/1989 Quasnick ..... B65D 19/0095  
108/51.3  
RE34,198 E \* 3/1993 Quasnick ..... B65D 19/0095  
108/51.3  
5,381,739 A \* 1/1995 Kilpatrick ..... B65D 19/0012  
108/51.3  
5,490,465 A \* 2/1996 Hoyt ..... B65D 19/0095  
108/51.3

D409,814 S \* 5/1999 Herring ..... D34/38  
D433,782 S \* 11/2000 Carter ..... D34/38  
2017/0210506 A1\* 7/2017 Saliaris ..... B65D 19/0095

\* cited by examiner

*Primary Examiner* — Cynthia Ramirez

*Assistant Examiner* — Gino Colan

(74) *Attorney, Agent, or Firm* — Jason H. Foster;  
Kremblas & Foster

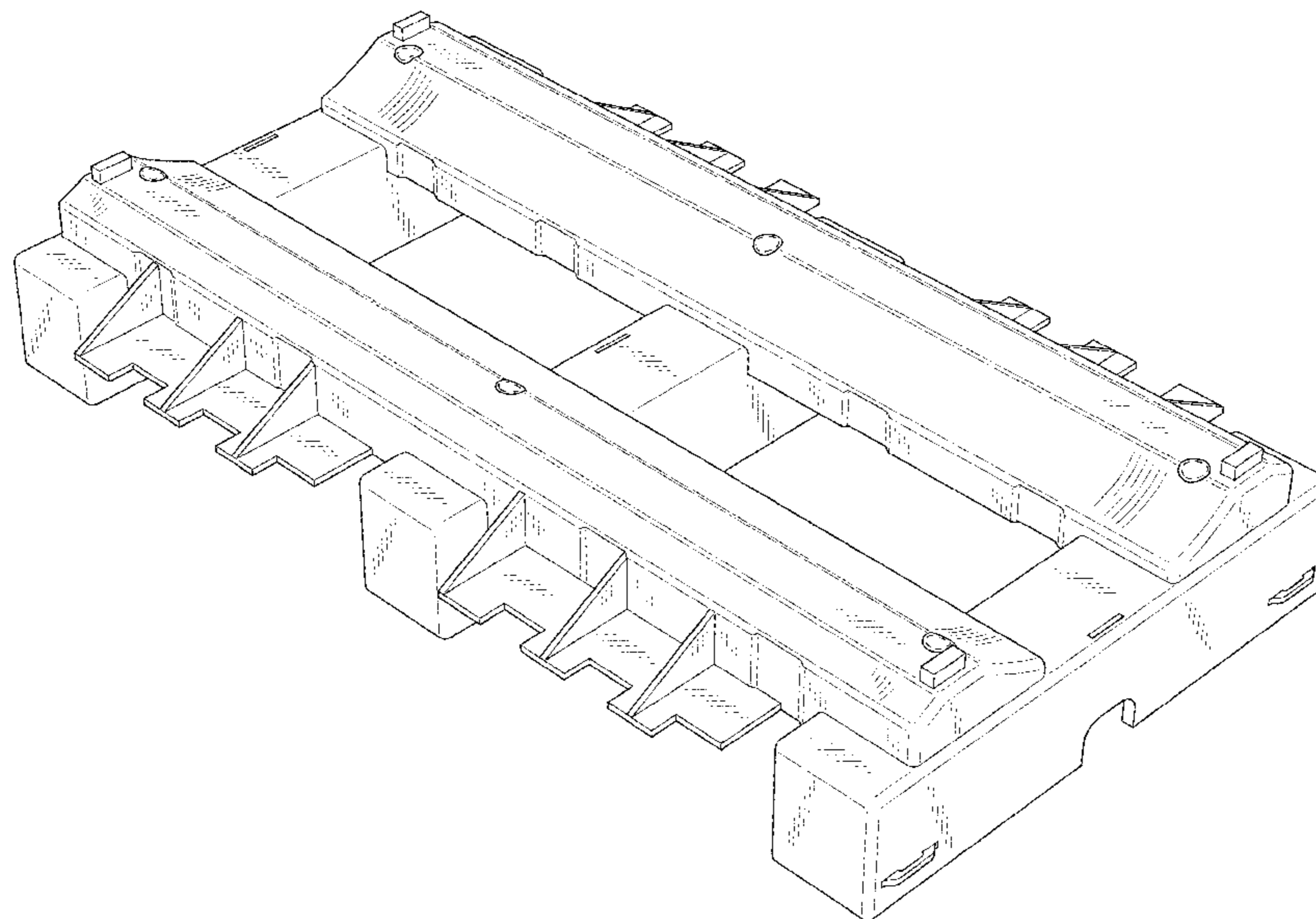
(57) **CLAIM**

The ornamental design for a modular pallet, as shown and described.

**DESCRIPTION**

FIG. 1 is a top perspective view of a modular pallet showing my new design;  
FIG. 2 is a bottom perspective view thereof;  
FIG. 3 is a top plan view thereof;  
FIG. 4 is a bottom plan view thereof;  
FIG. 5 is a side elevation view thereof, the opposite side elevation view being a mirror image of FIG. 5;  
FIG. 6 is an elevation end view thereof, the opposite end elevation view being a mirror image of FIG. 6;  
FIG. 7 is a top perspective view thereof, with relatively moveable parts in alternate positions;  
FIG. 8 is a bottom perspective view thereof;  
FIG. 9 is a top plan view thereof;  
FIG. 10 is a bottom plan view thereof;  
FIG. 11 is a side elevation view thereof, the opposite side elevation view being a mirror image of FIG. 11; and,  
FIG. 12 is an end elevation view thereof, the opposite end elevation view being a mirror image of FIG. 12.  
The broken lines shown in the figures are for the purpose of illustrating portions of the modular pallet and form no part of the claimed design.

**1 Claim, 10 Drawing Sheets**



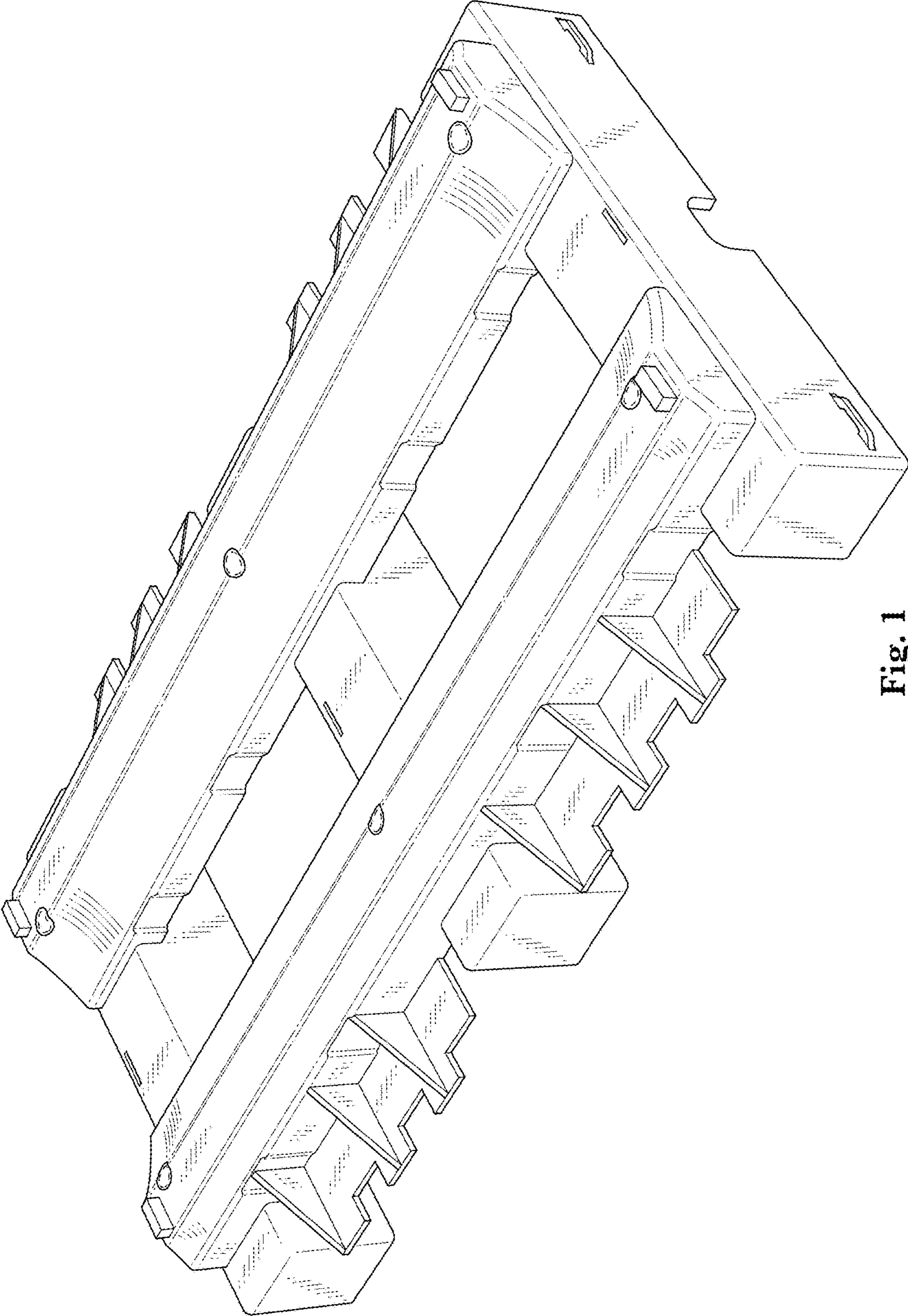


Fig. 1

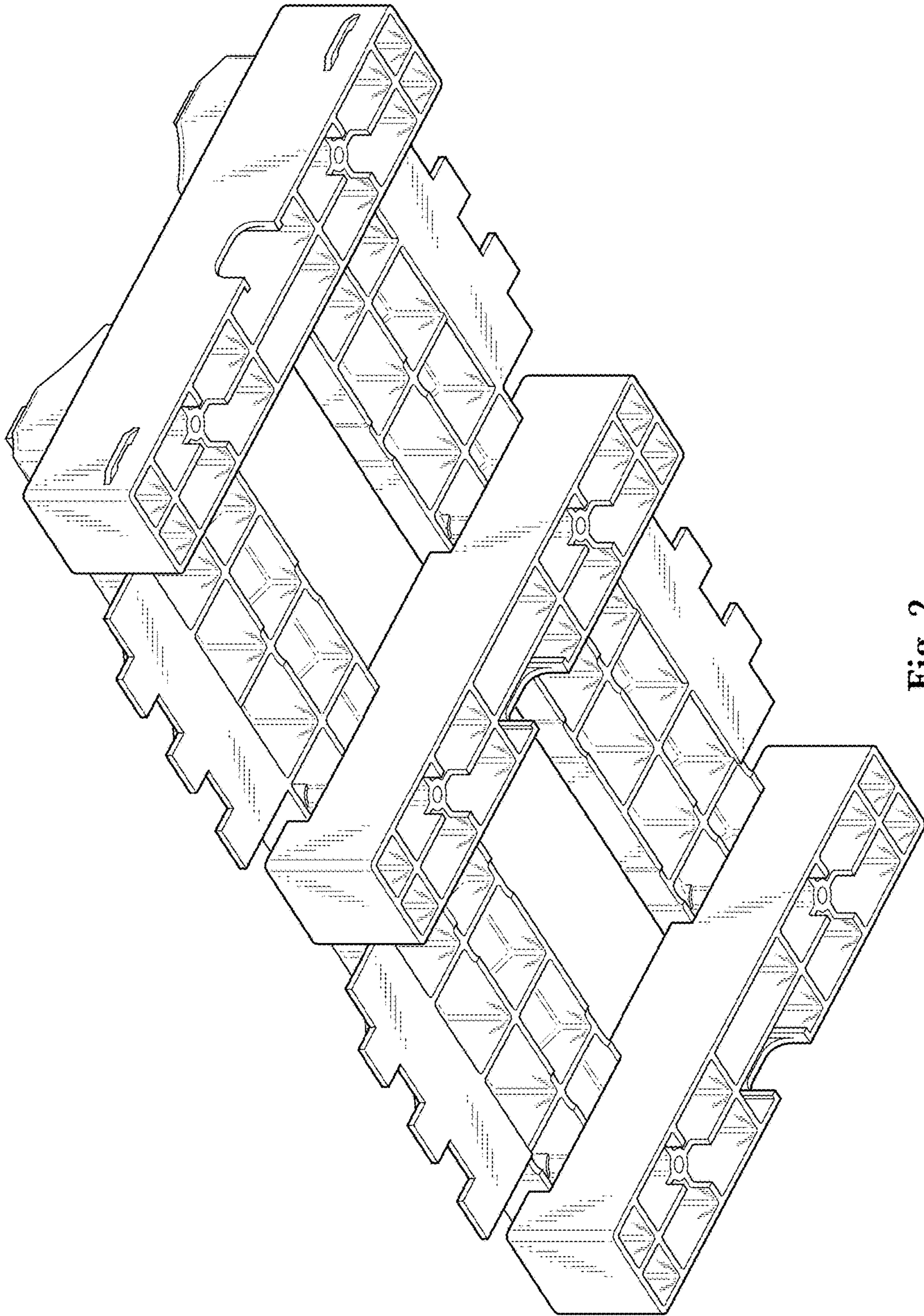


Fig. 2

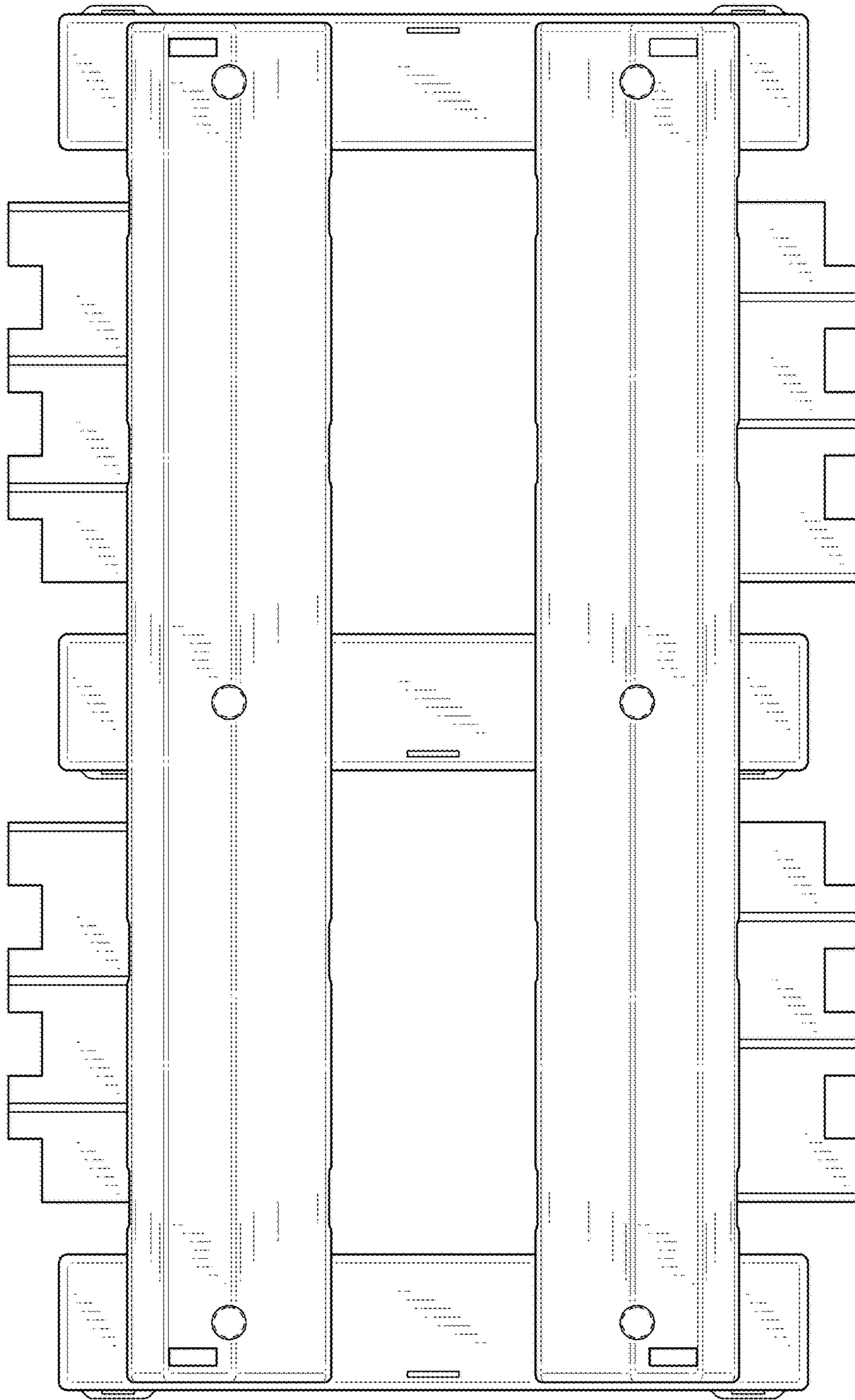


Fig. 3

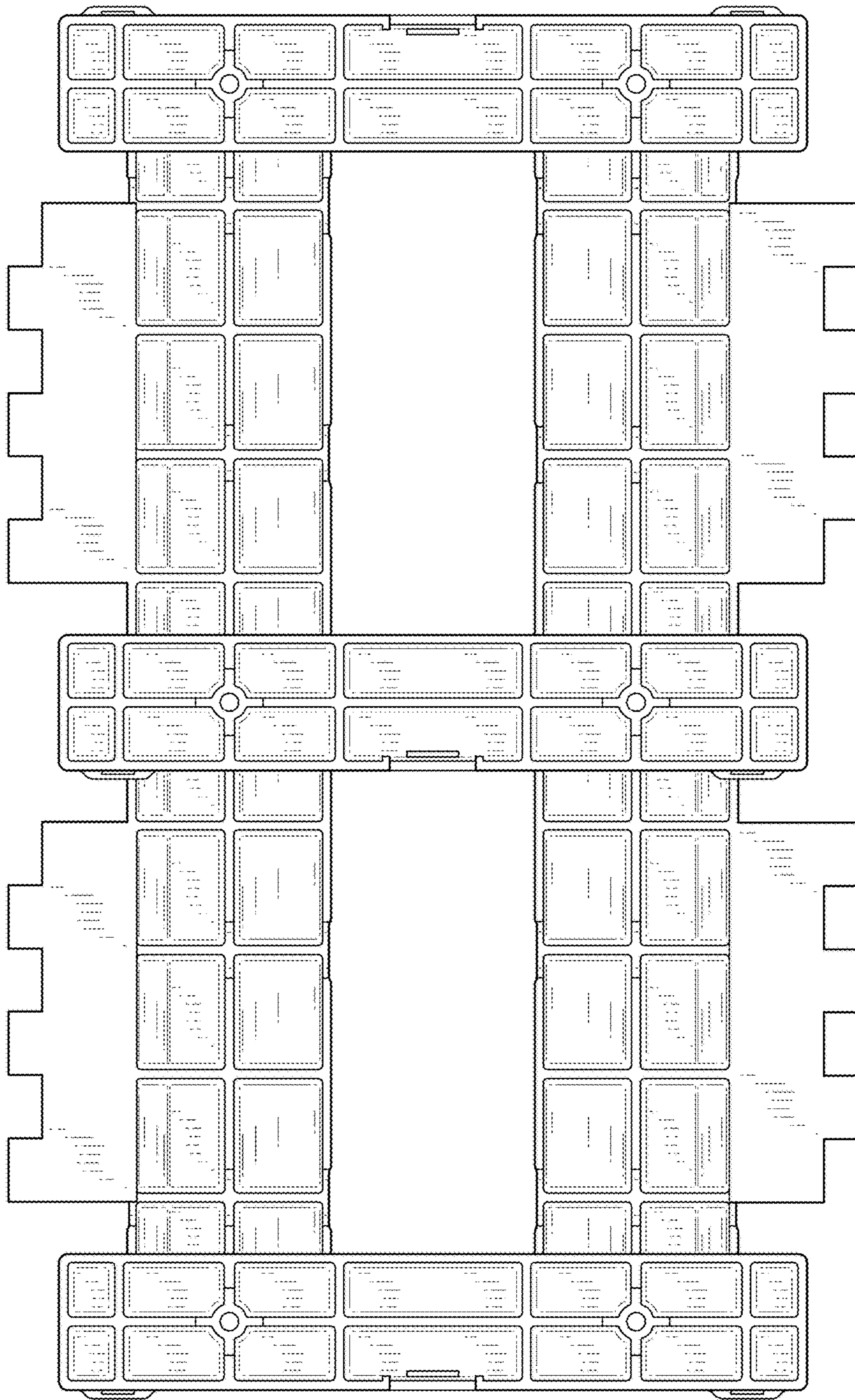


Fig. 4

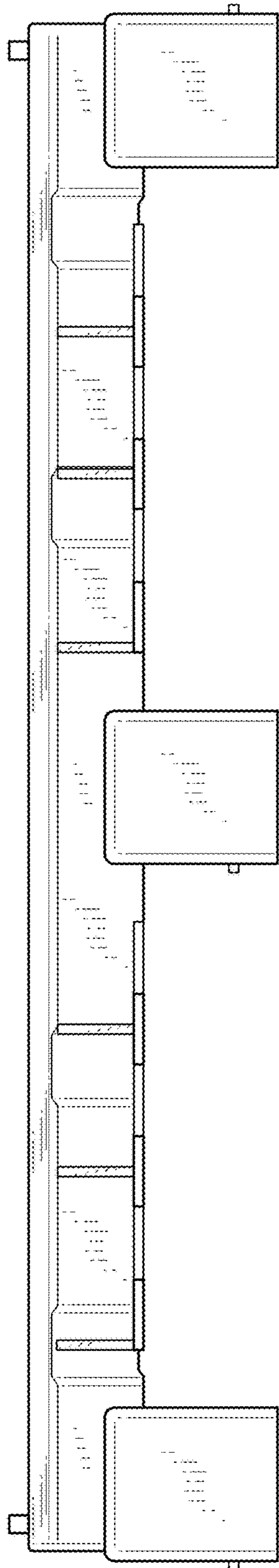


Fig. 5

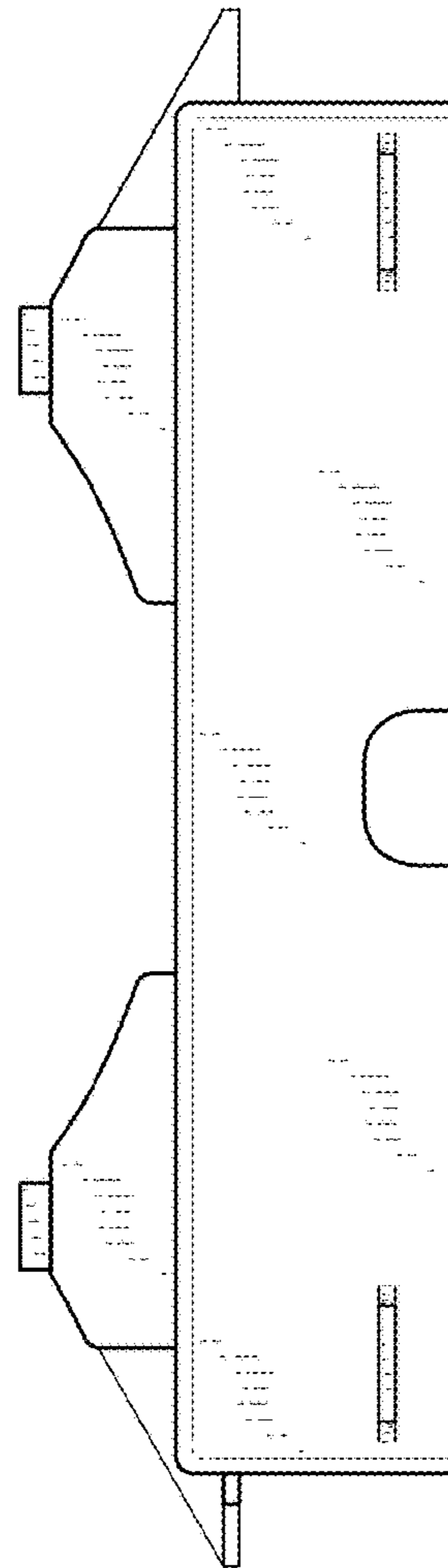


Fig. 6

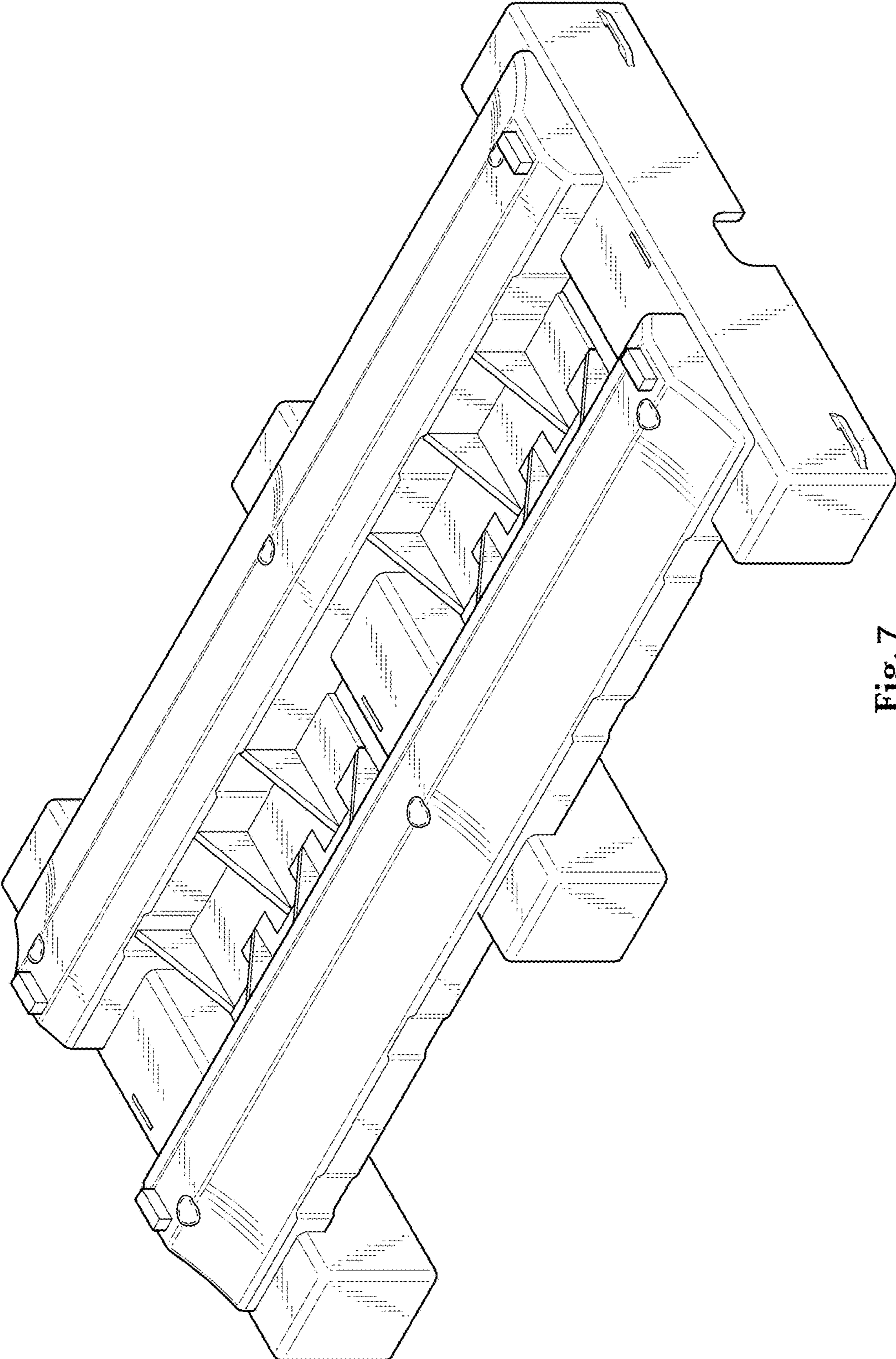


Fig. 7

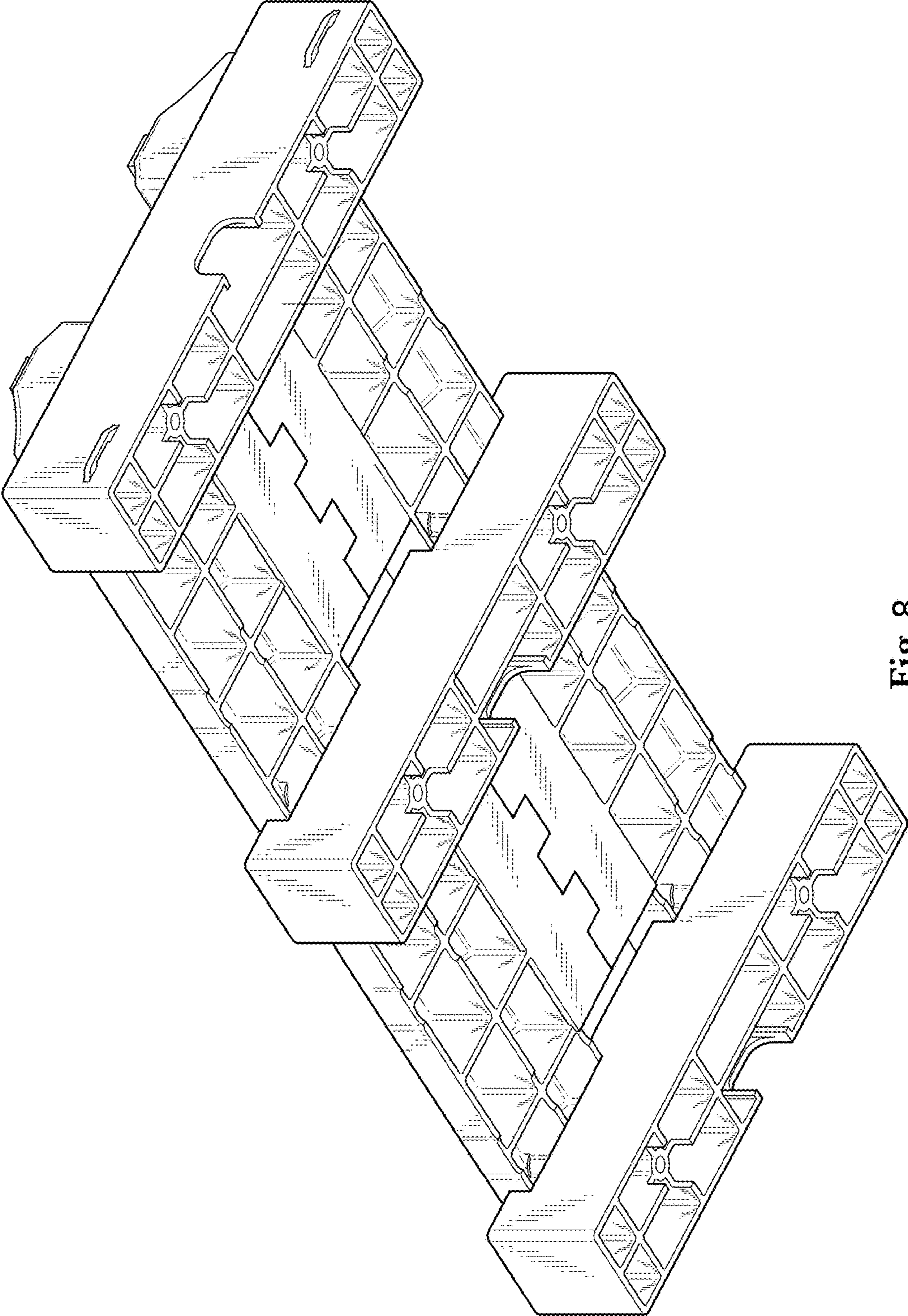


Fig. 8



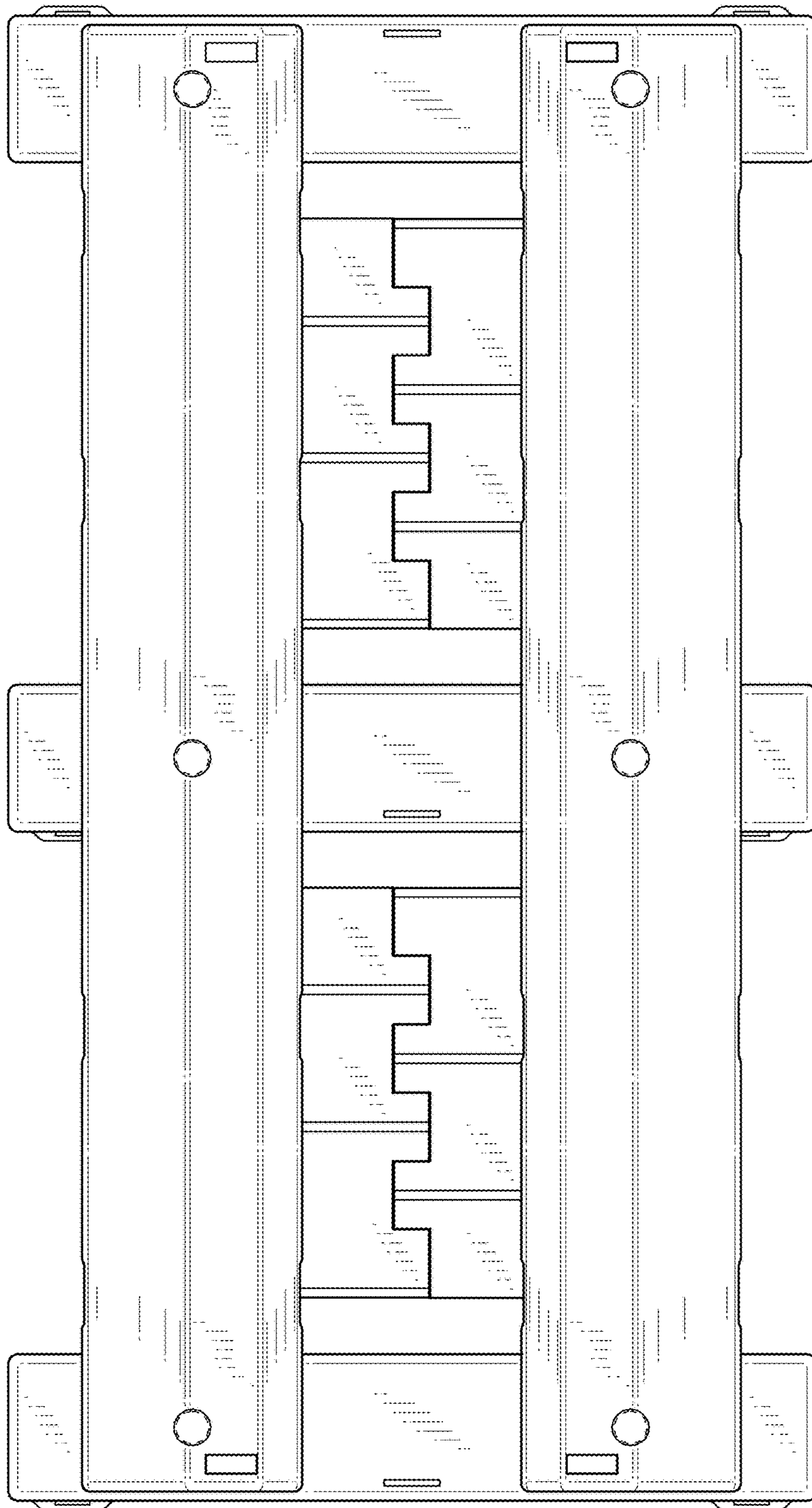


Fig. 9

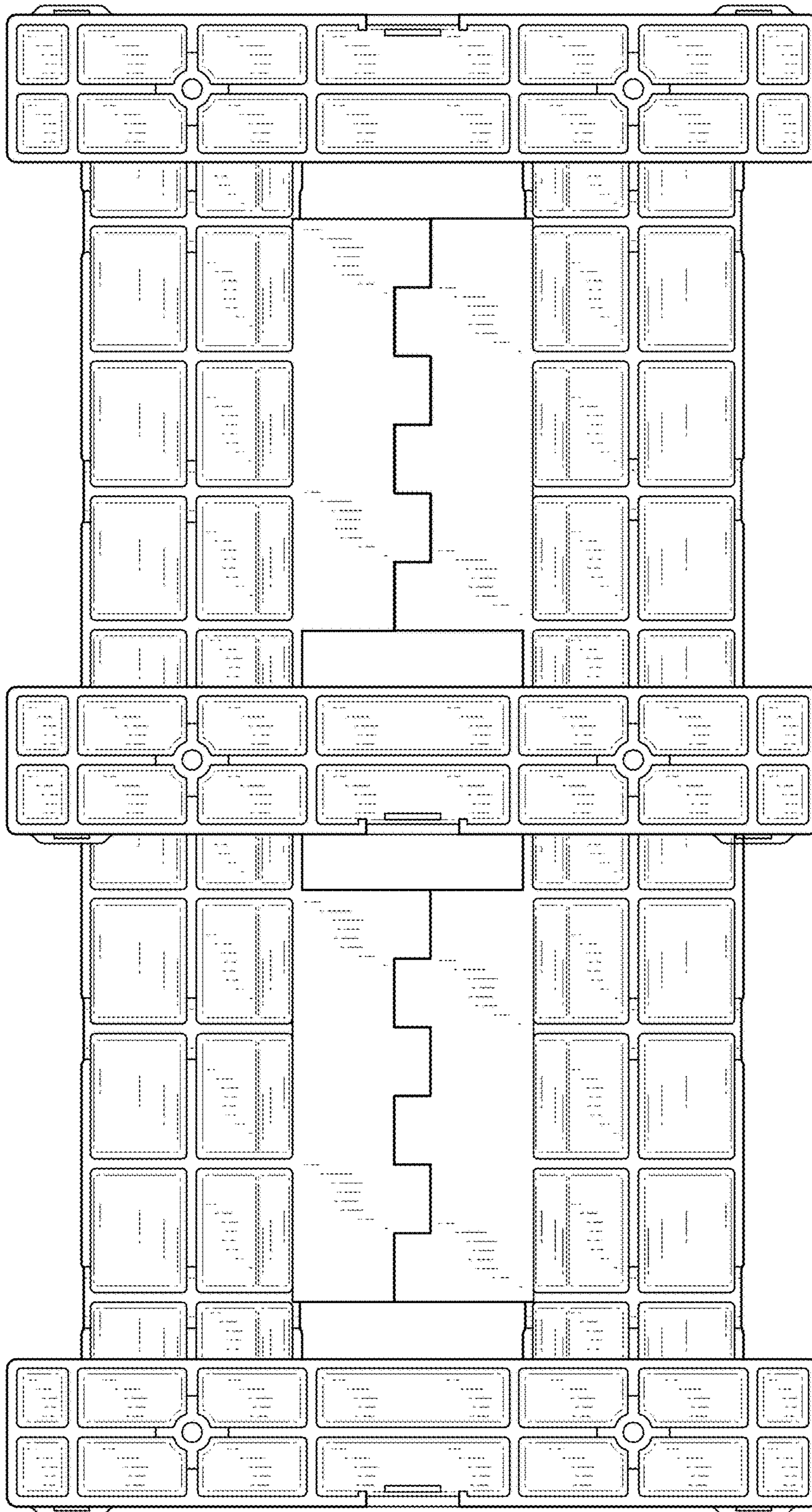


Fig. 10

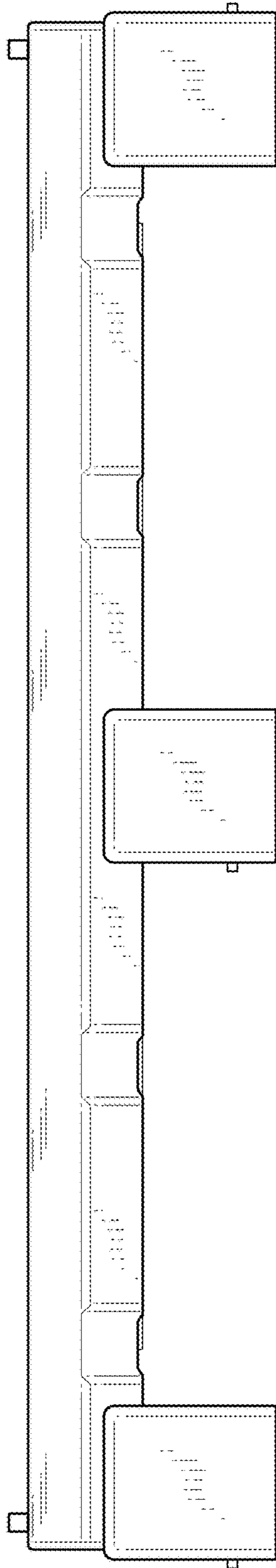


Fig. 11

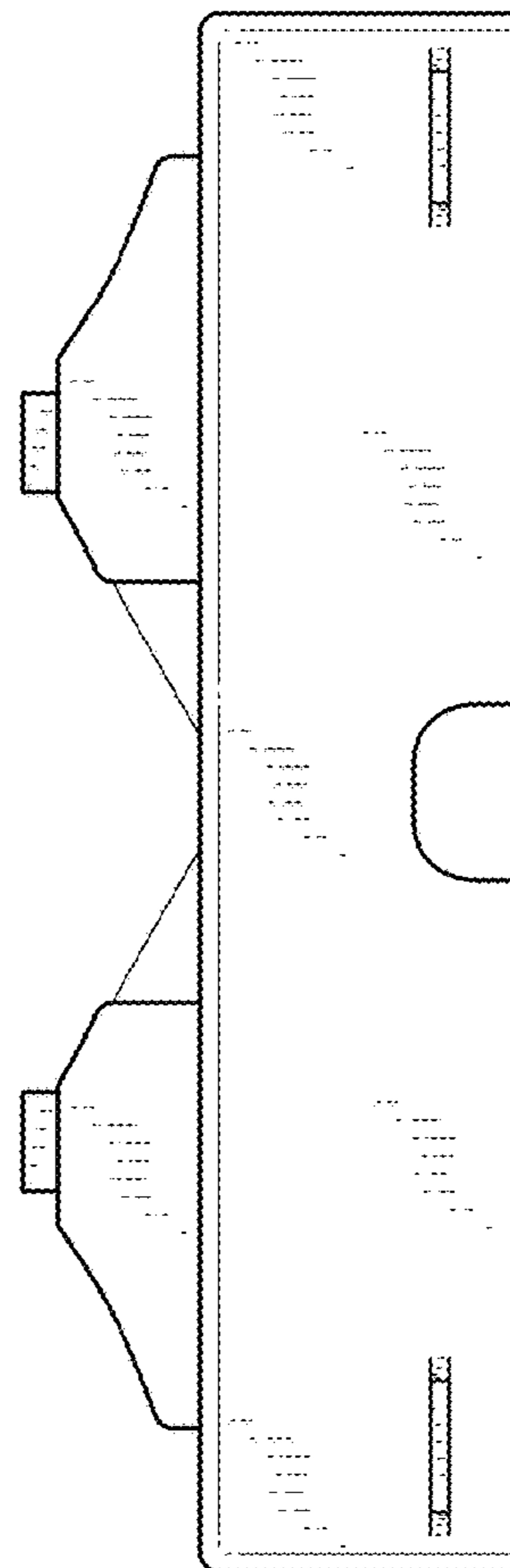


Fig. 12