



US00D817586S

(12) **United States Design Patent**
Romao et al.

(10) **Patent No.:** **US D817,586 S**
(45) **Date of Patent:** **** May 8, 2018**

(54) **WHEEL CARRIER**

(71) Applicants: **Marco Moreria Romao**, Bedford Gardens (ZA); **Fernando Manual Rosa Romano Madeira**, Bedford Gardens (ZA)

(72) Inventors: **Marco Moreira Romao**, Bedford Gardens (ZA); **Fernando Manual Rosa Romano Madeira**, Bedford Gardens (ZA); **Cornelius Alewyn Botha**, Johannesburg (ZA); **Natalia Tofas**, Cape Town (ZA)

(73) Assignees: **Marco Moreira Romao**, Bedford Gardens (ZA); **Fernando Manual Rosa Romano Madeira**, Bedford Gardens (ZA)

(**) Term: **15 Years**

(21) Appl. No.: **29/581,505**

(22) Filed: **Oct. 19, 2016**

(30) **Foreign Application Priority Data**

Apr. 26, 2016 (ZA) F2016/00597

(51) **LOC (11) Cl.** **12-05**

(52) **U.S. Cl.**
USPC **D34/28**

(58) **Field of Classification Search**
USPC 414/429; 254/105, 131, 8 R; 280/79.4; D34/28, 31
CPC B60B 29/002; B62B 2206/02; B66F 5/04; B66F 15/00; B66F 11/048
See application file for complete search history.

(56) **References Cited**

U.S. PATENT DOCUMENTS

1,570,070 A 1/1926 Lyman
2,217,898 A 10/1940 Gemmill
2,231,192 A 2/1941 Olsen
2,252,534 A 8/1941 Trotter

(Continued)

FOREIGN PATENT DOCUMENTS

DE 516650 1/1931
EP 2338696 6/2011

(Continued)

OTHER PUBLICATIONS

Israeli Trade & Economic Office, Embassy of Israel website, itrade.gov.il/south-africa/biz_os/regev-ltd/. Captured Nov. 2014.

Primary Examiner — Cynthia Ramirez

(74) *Attorney, Agent, or Firm* — Haugen Law Firm PLLP

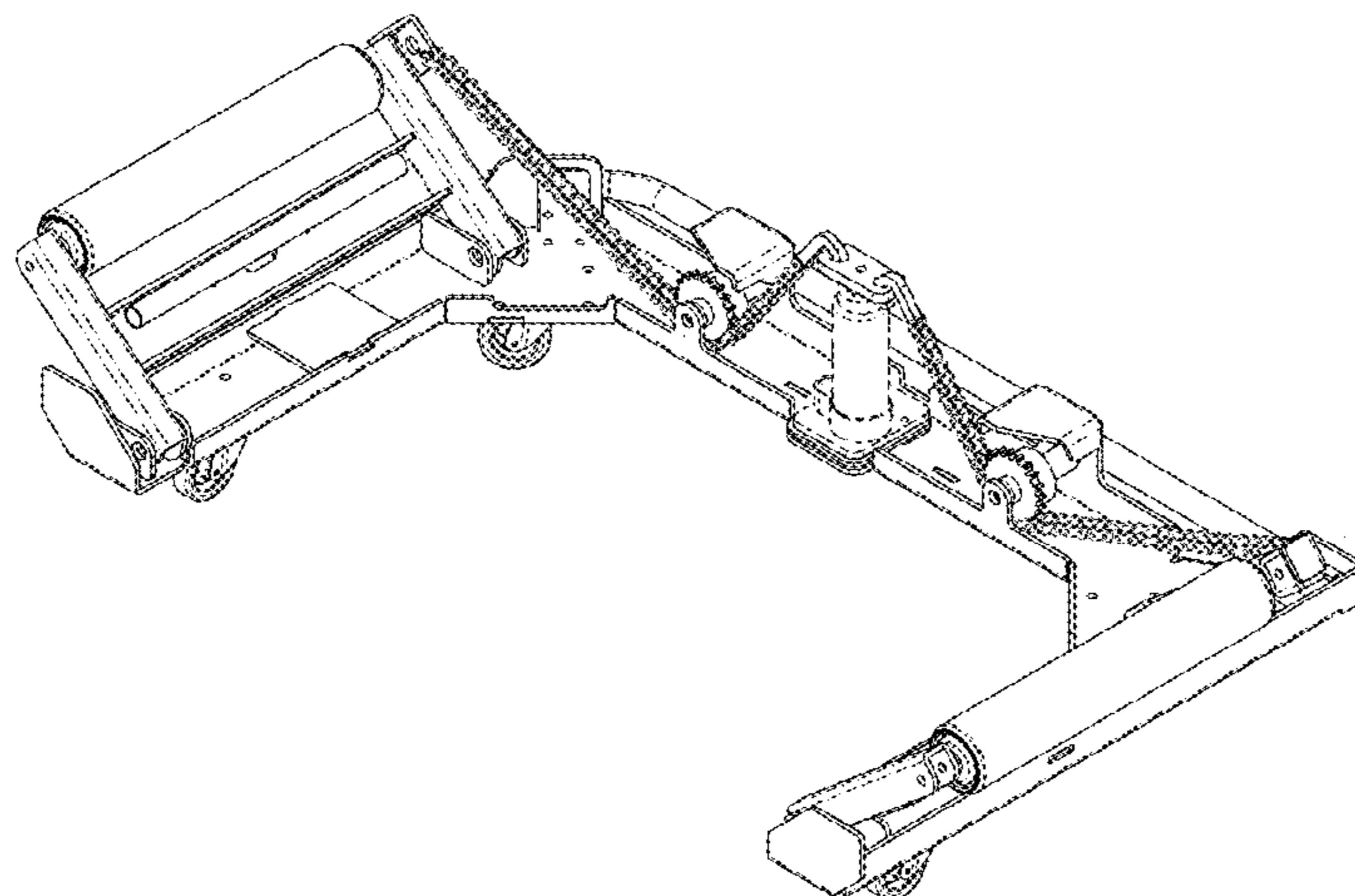
(57) **CLAIM**

The ornamental design for a wheel carrier, as shown and described.

DESCRIPTION

FIG. 1 is a top front perspective view of the wheel carrier; FIG. 2 is a top rear perspective view of the wheel carrier; FIG. 3 is a bottom rear perspective view of the wheel carrier; FIG. 4 is a bottom front perspective view of the wheel carrier; FIG. 5 is a front elevational view of the wheel carrier; FIG. 6 is a rear elevational view of the wheel carrier; FIG. 7 is a left side elevational view of the wheel carrier; FIG. 8 is a right side elevational view of the wheel carrier; FIG. 9 is a top plan view of the wheel carrier; and, FIG. 10 is a bottom plan view of the wheel carrier. The broken line showing of environmental structure is for illustrative purposes only, and forms no part of the claimed design.

1 Claim, 8 Drawing Sheets



(56)

References Cited

U.S. PATENT DOCUMENTS

2,362,981 A 11/1944 Philemon
 2,364,918 A 12/1944 Roberson
 2,386,516 A 10/1945 Thompson
 2,392,409 A * 1/1946 Ray B60B 29/002
 280/47.34
 2,471,051 A 5/1949 Tway
 2,476,493 A 7/1949 Johnson
 2,484,534 A 10/1949 Smith
 2,725,998 A 12/1955 Huff
 2,804,983 A 9/1957 Wolf
 2,852,151 A 9/1958 Smith
 3,160,393 A 12/1964 Councilman
 3,583,723 A 6/1971 Nowell
 3,828,953 A 8/1974 Reznicek
 3,836,027 A 9/1974 Gardner
 3,937,343 A 2/1976 Spulak
 4,050,597 A 9/1977 Hawkins
 4,460,306 A 7/1984 Hawkins
 4,692,082 A 9/1987 Smith
 4,900,215 A 2/1990 Nowell
 4,976,449 A 12/1990 Lotspeich et al.
 5,112,070 A 5/1992 Hahn
 D346,252 S * 4/1994 Jones D34/23

5,893,571 A 4/1999 Nowell
 6,106,214 A 8/2000 Saffelle et al.
 6,789,994 B2 * 9/2004 Tortellier B60B 29/002
 414/426
 6,860,496 B2 * 3/2005 Novak B62B 5/049
 211/20
 7,097,406 B1 8/2006 Gang
 D532,575 S * 11/2006 Oberg D34/23
 7,597,524 B2 * 10/2009 Hernandez B60B 29/002
 414/426
 7,740,439 B1 6/2010 Browning
 8,137,044 B2 * 3/2012 Slee B66F 7/246
 280/79.4
 D723,764 S * 3/2015 Yaschur D34/28
 2001/0038094 A1 * 11/2001 Lundy, Sr. B60B 29/002
 254/1
 2004/0156700 A1 8/2004 Chopra
 2006/0231343 A1 10/2006 Vesa
 2008/0101898 A1 5/2008 Hernandez
 2010/0092269 A1 4/2010 Slee

FOREIGN PATENT DOCUMENTS

ES 2373814 2/2012
 FR 2301397 9/1976

* cited by examiner

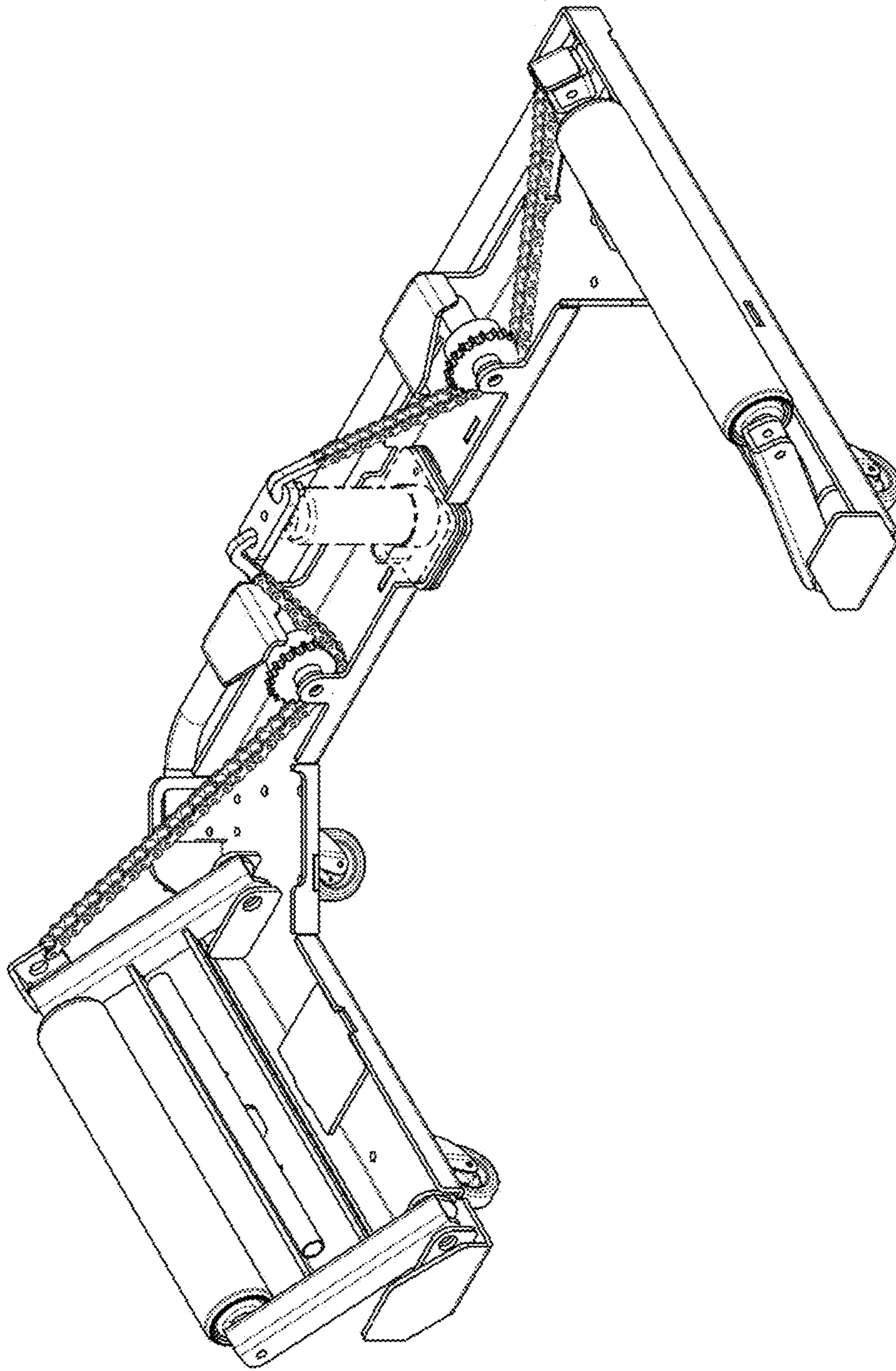


Fig. 1

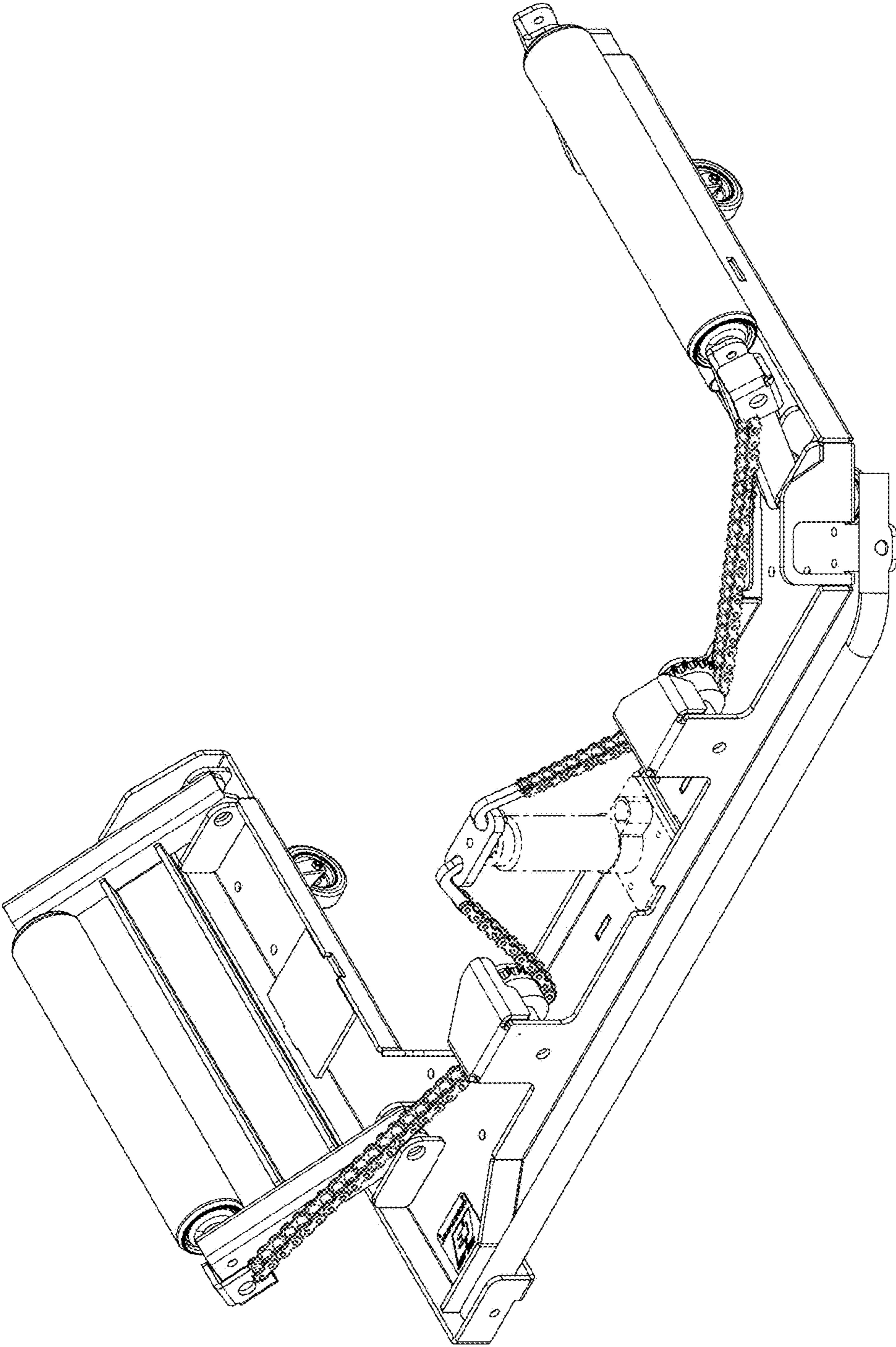


Fig. 2

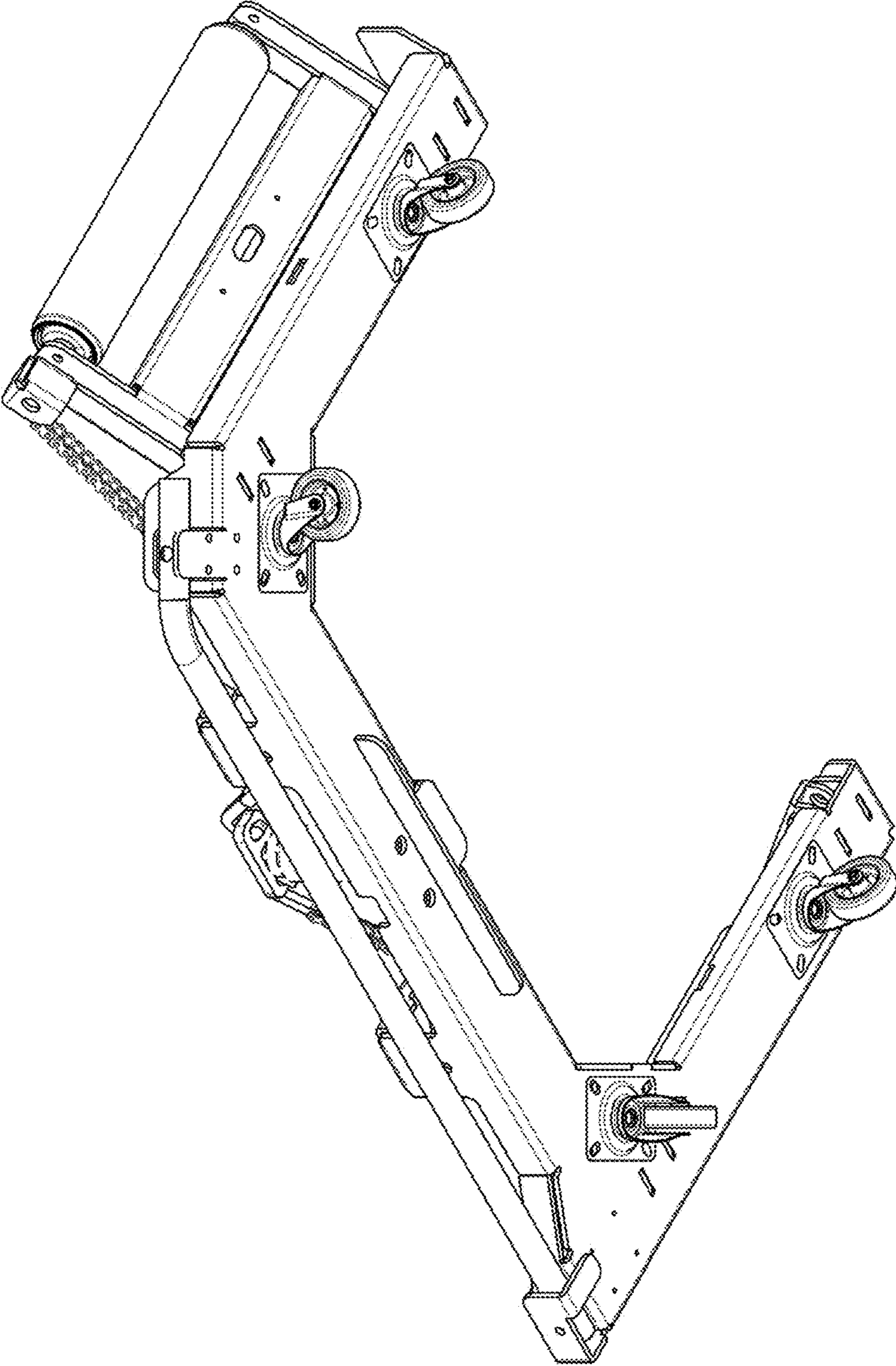


Fig. 3

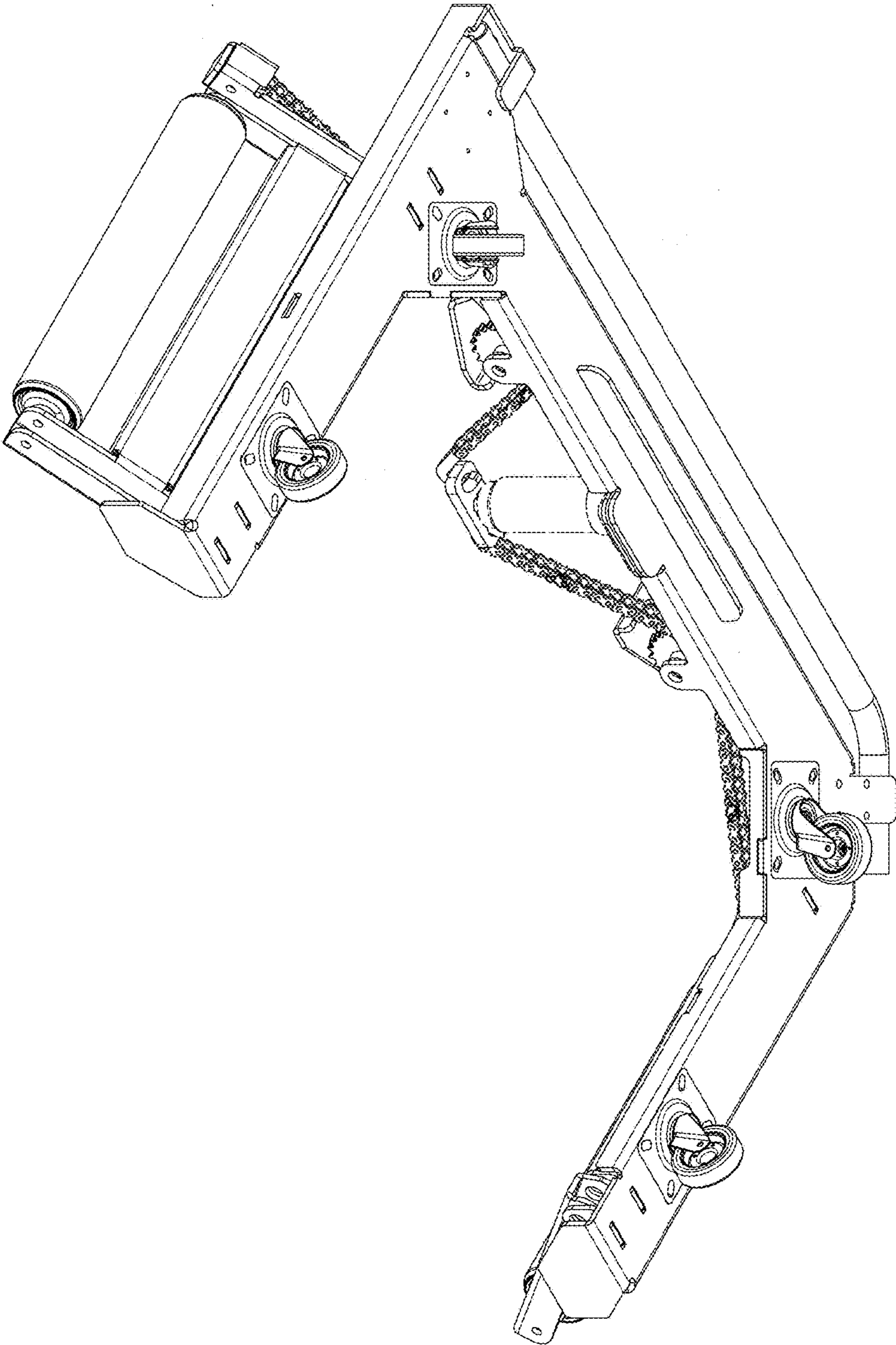


Fig. 4

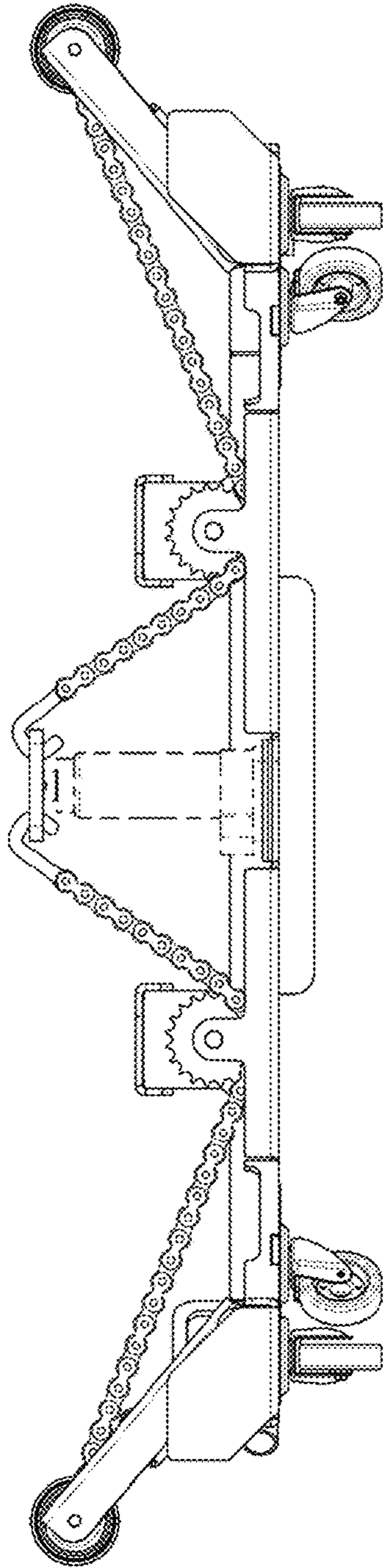


Fig. 5

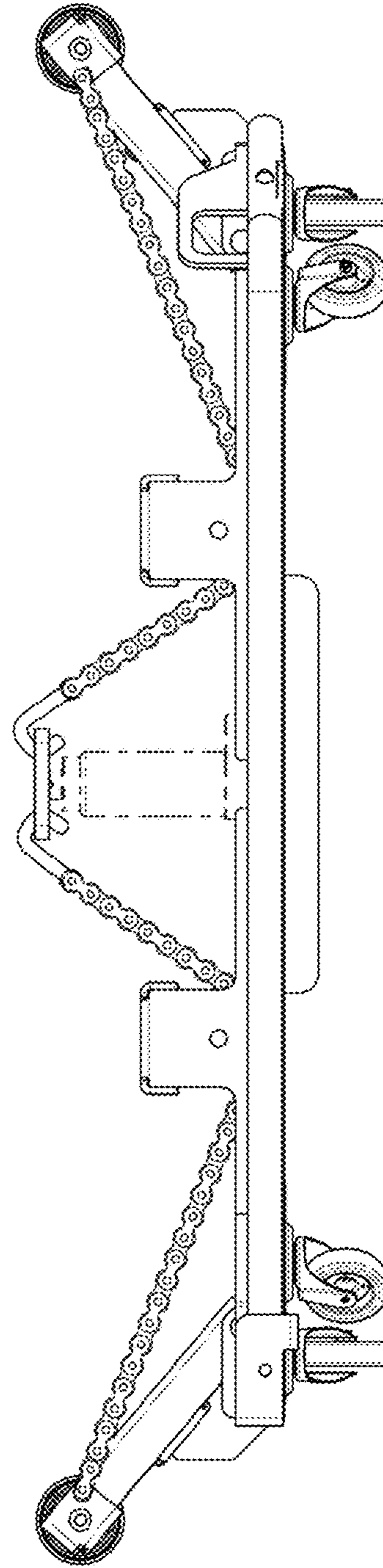


Fig. 6

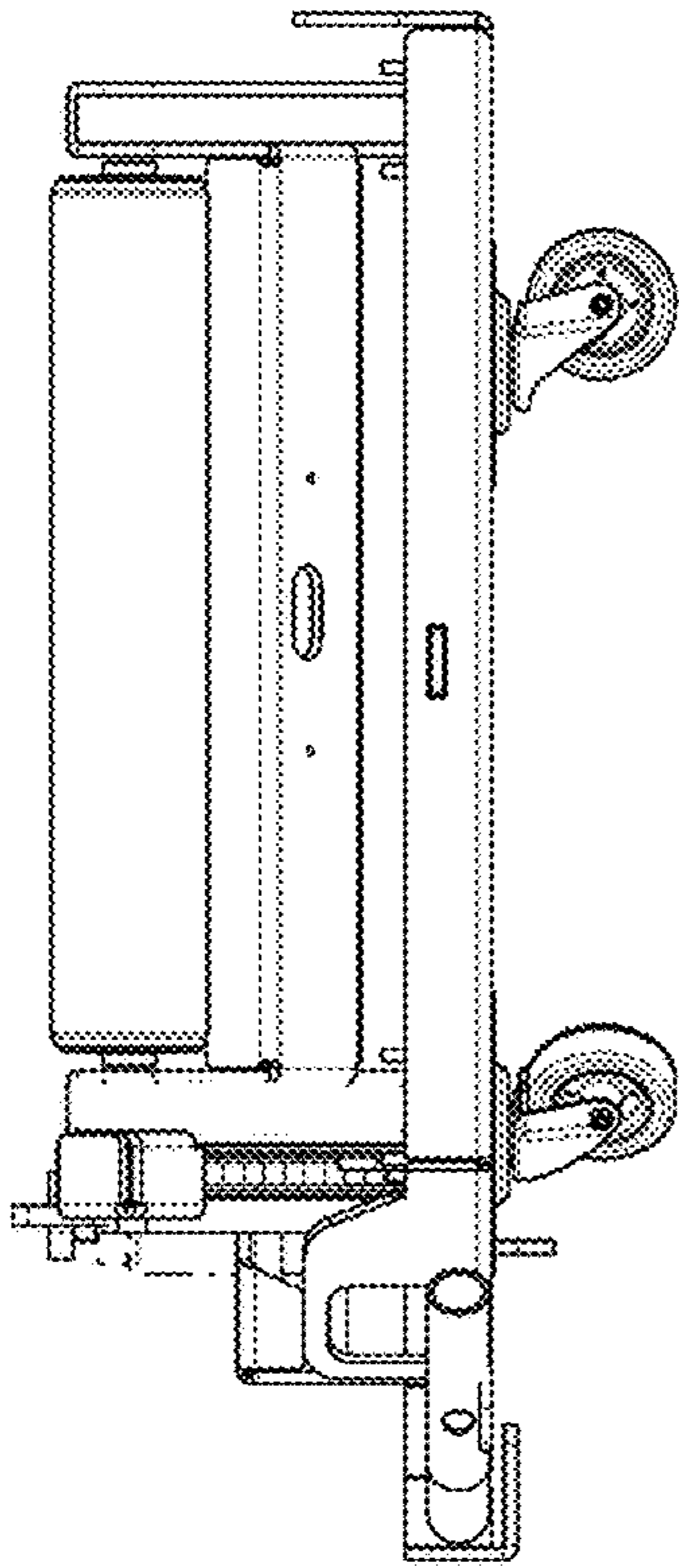


Fig. 7

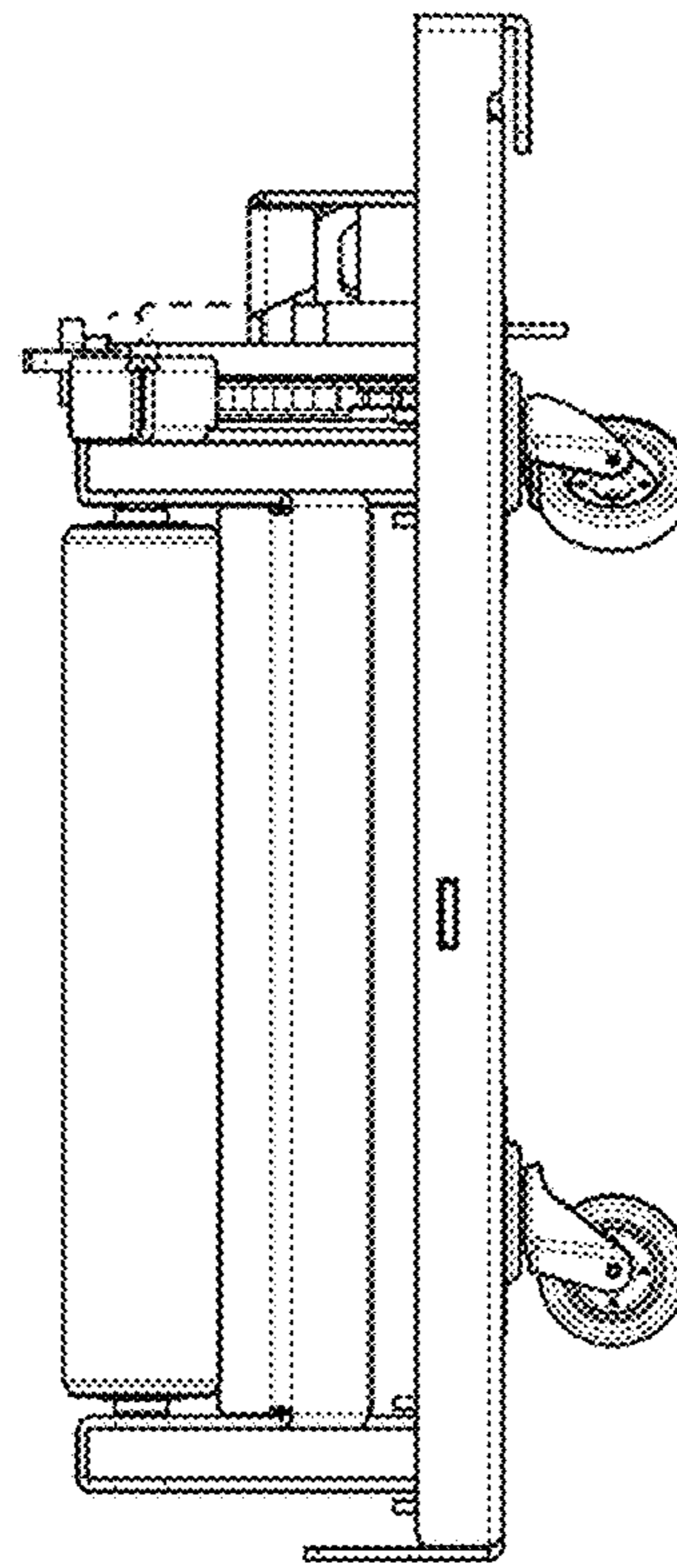


Fig. 8

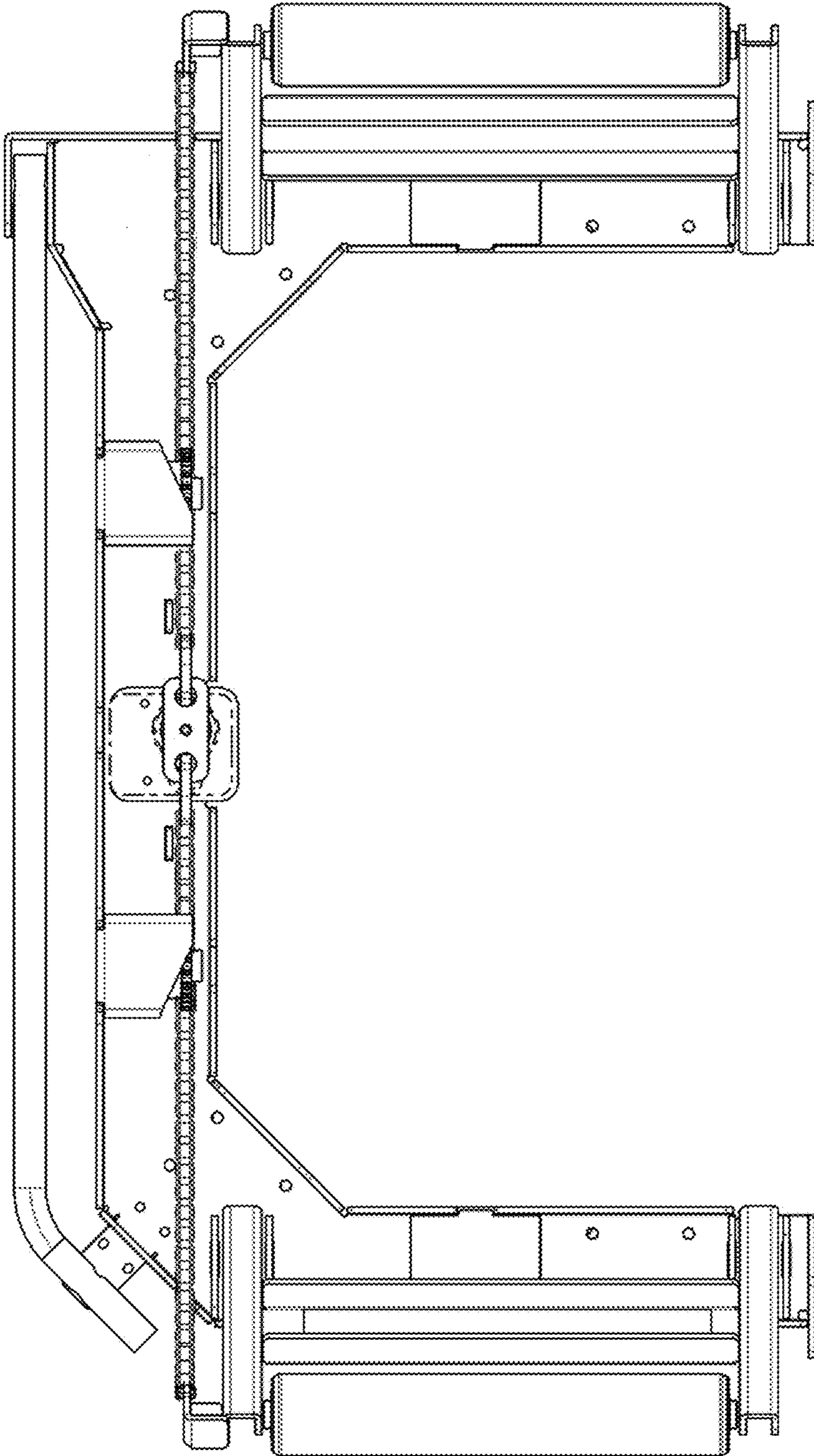


Fig. 9

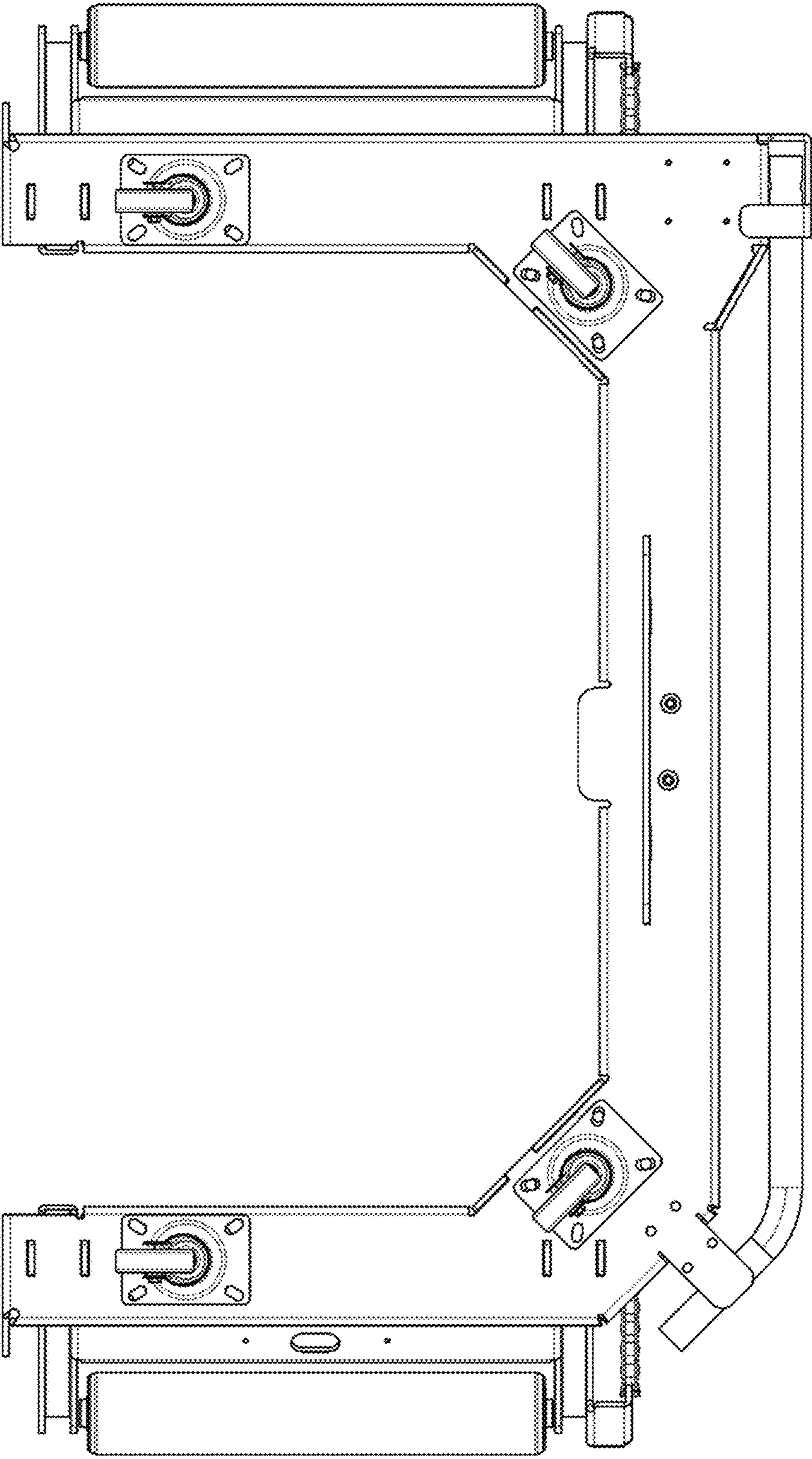


Fig. 10