



US00D817585S

(12) **United States Design Patent**
Thuma et al.

(10) **Patent No.:** **US D817,585 S**

(45) **Date of Patent:** **** May 8, 2018**

(54) **HOUSEKEEPING CART**

(71) Applicant: **Suncast Technologies, LLC**, Palm Beach Gardens, FL (US)

(72) Inventors: **Michael Thuma**, La Grange, IL (US);
Michael R. Vogler, Oswego, IL (US)

(73) Assignee: **Suncast Technologies, LLC**, Palm Beach Gardens, FL (US)

(**) Term: **15 Years**

(21) Appl. No.: **29/592,545**

(22) Filed: **Jan. 31, 2017**

(51) **LOC (11) Cl.** **12-02**

(52) **U.S. Cl.**
USPC **D34/21**

(58) **Field of Classification Search**
USPC D34/12, 14, 16, 17, 19, 20, 21, 23, 25,
D34/26, 27; 280/651, 47.34, 47.19,
280/47.35, 47.17, 654
CPC B62B 3/02; B62B 3/005; B62B 3/04
See application file for complete search history.

(56) **References Cited**

U.S. PATENT DOCUMENTS

D302,064 S * 7/1989 Delmerico D34/20
D425,279 S * 5/2000 Houry D34/20

D464,185 S * 10/2002 Olson D34/20
D474,570 S * 5/2003 Presnell D34/17
D485,037 S * 1/2004 Presnell D34/17
D572,424 S * 7/2008 Presnell D34/14
D575,473 S * 8/2008 Presnell D34/17
D697,284 S * 1/2014 Ho D34/12

* cited by examiner

Primary Examiner — Cynthia Ramirez

Assistant Examiner — Gino Colan

(74) *Attorney, Agent, or Firm* — McHale & Slavin, P.A.

(57) **CLAIM**

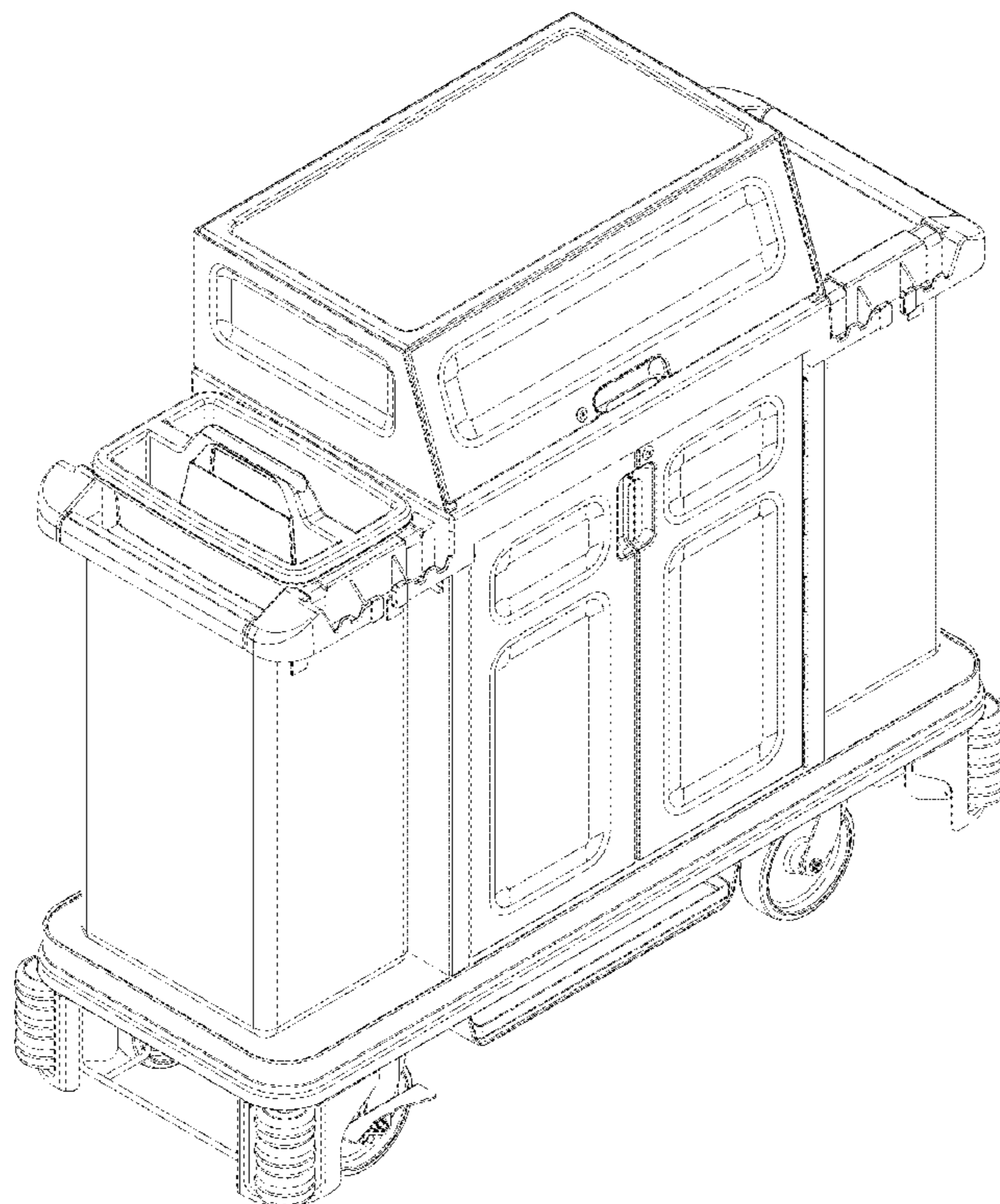
The ornamental design for a housekeeping cart, as shown and described.

DESCRIPTION

FIG. 1 is a top left isometric view of a housekeeping cart showing our new design;
FIG. 2 is a top right isometric view thereof;
FIG. 3 is a top view thereof, shown in a larger scale;
FIG. 4 is a left side view thereof, shown in a larger scale;
FIG. 5 is a right side view thereof, shown in a larger scale;
FIG. 6 is a front view thereof; and,
FIG. 7 is a rear view thereof.

The broken lines shown in the figures are included for the purpose of illustrating portions of the housekeeping cart and form no part of the claimed design.

1 Claim, 7 Drawing Sheets



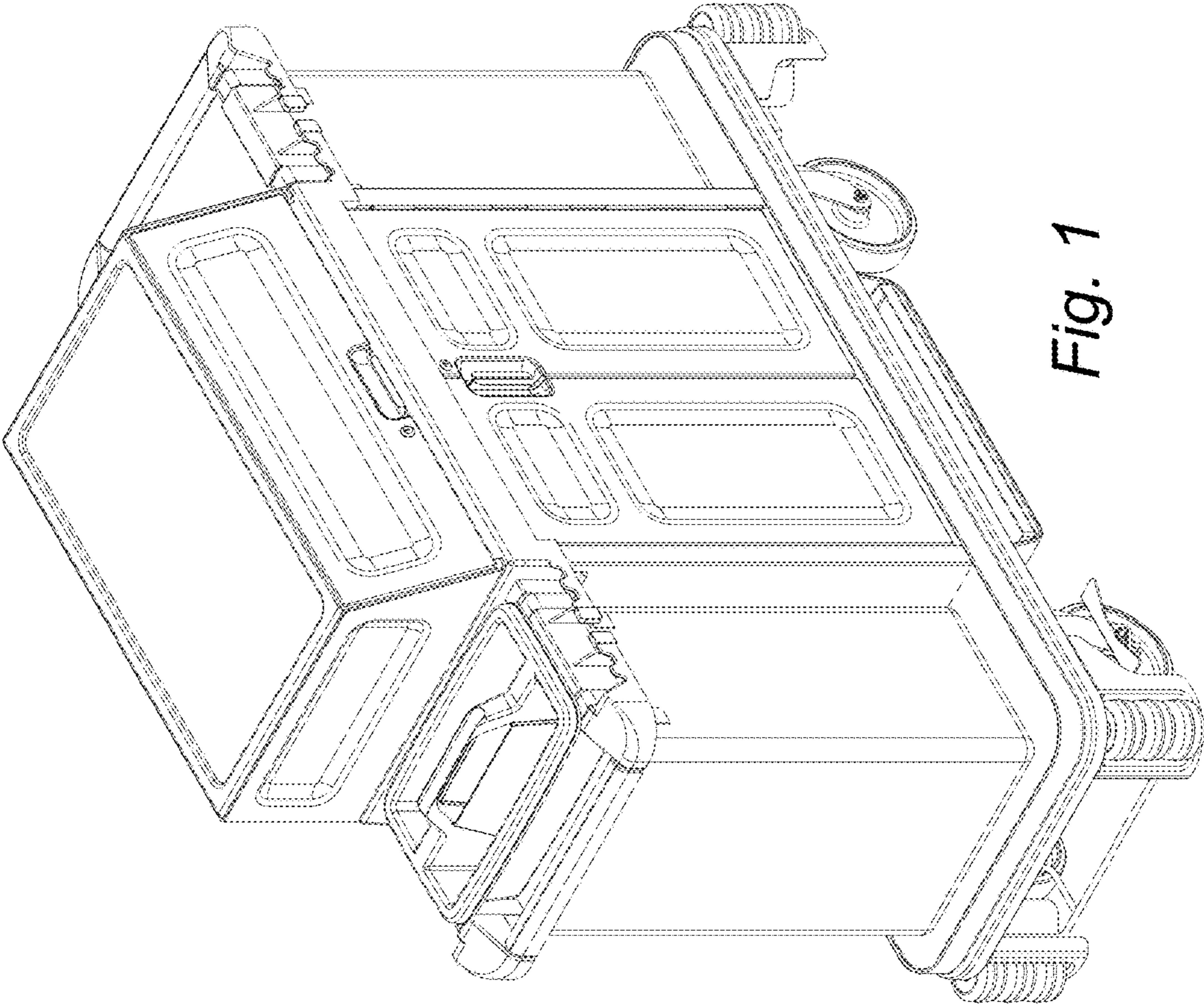


Fig. 1

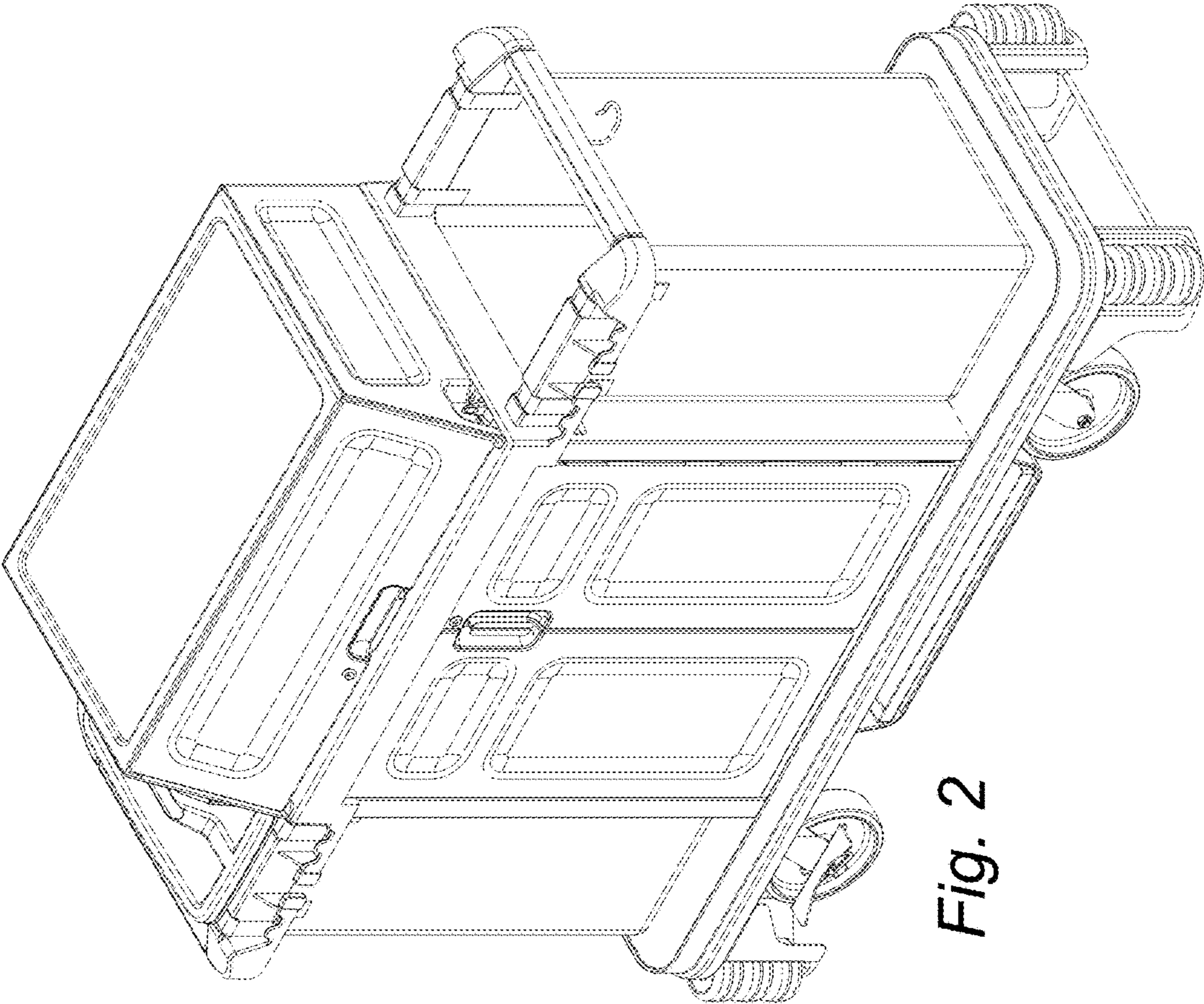


Fig. 2

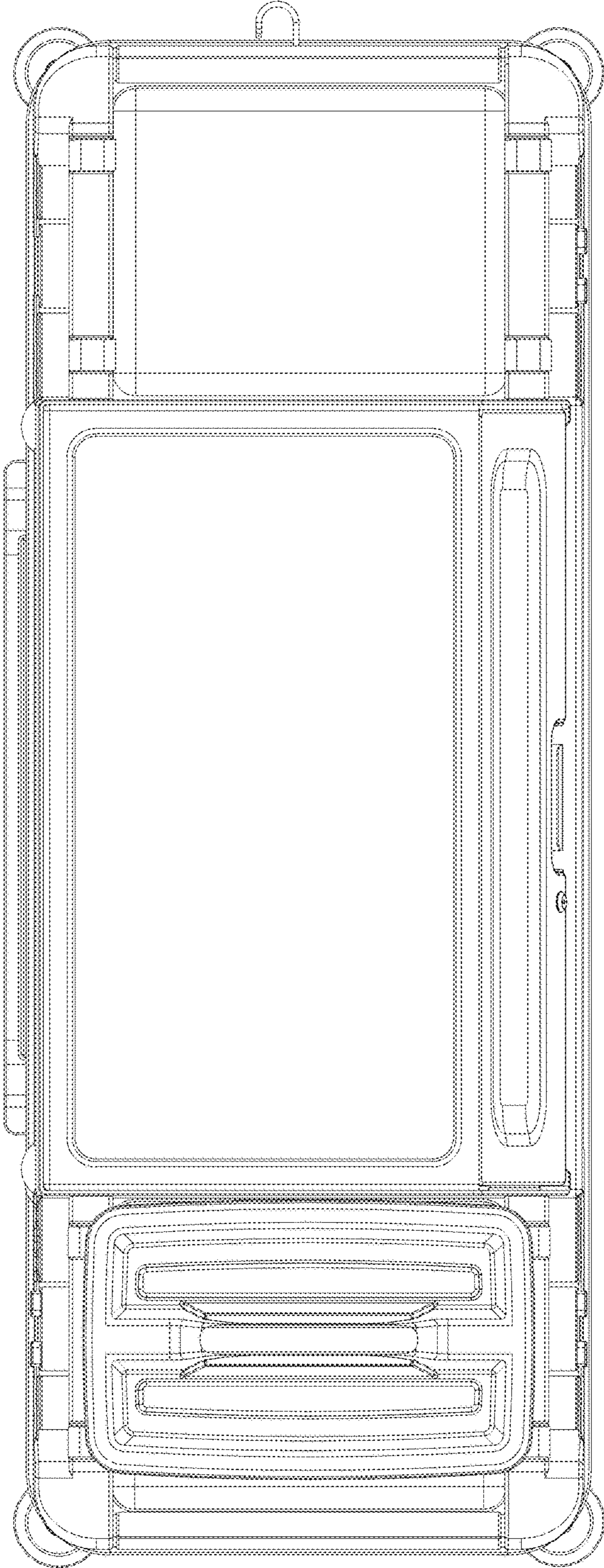


Fig. 3

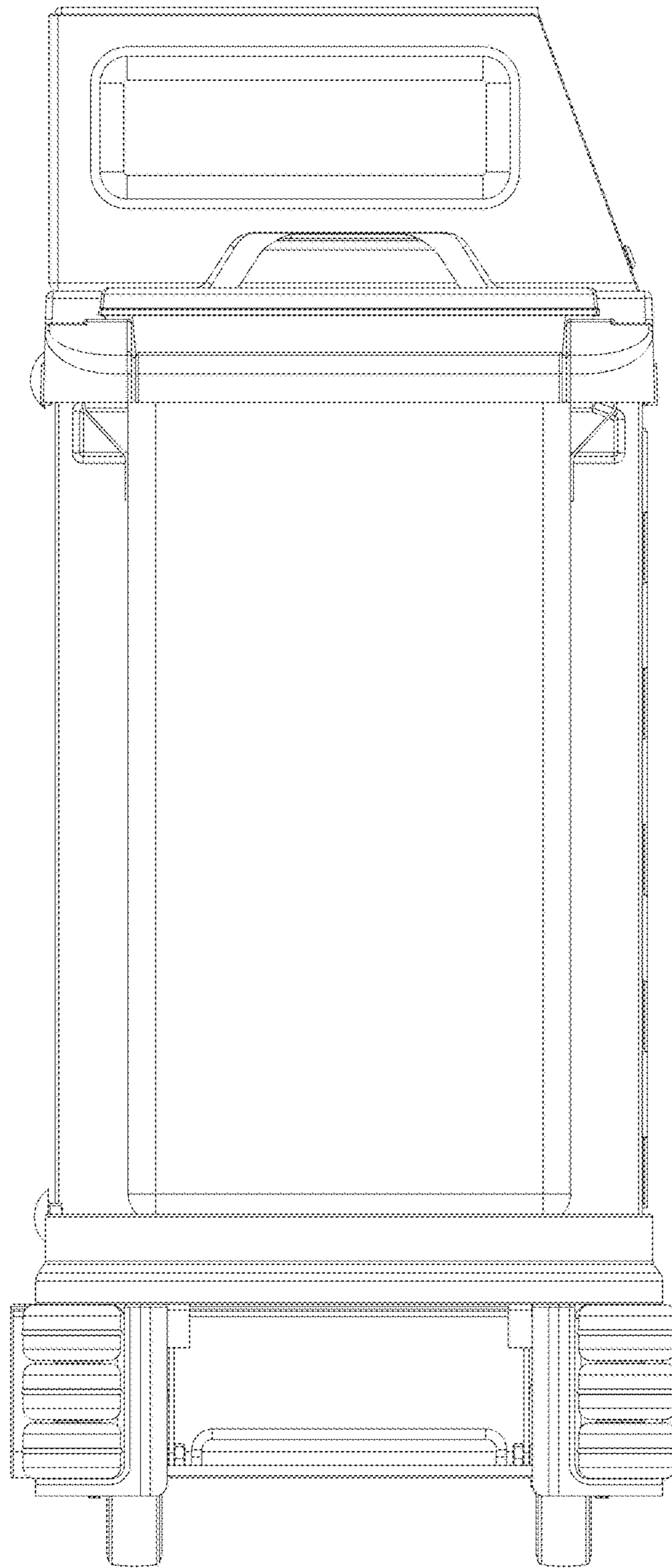


Fig. 4

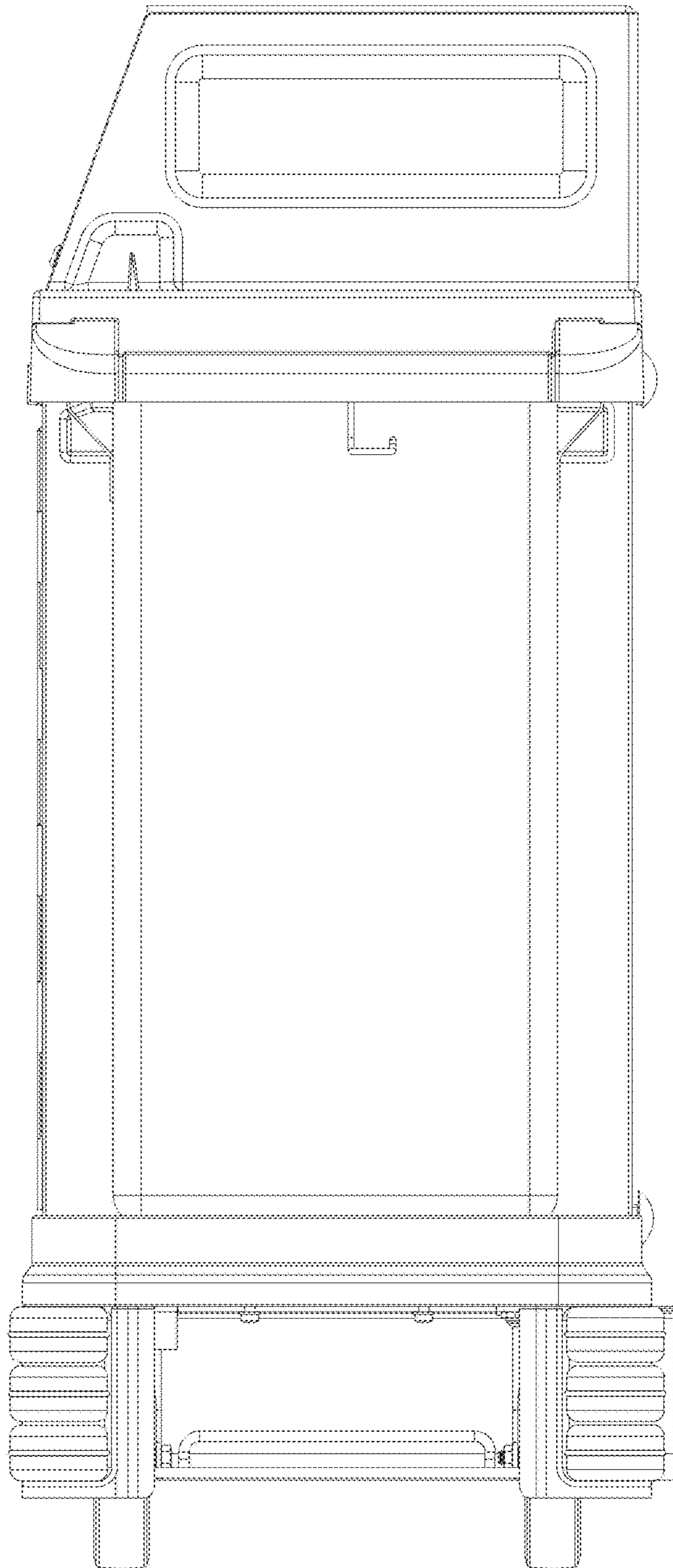


Fig. 5

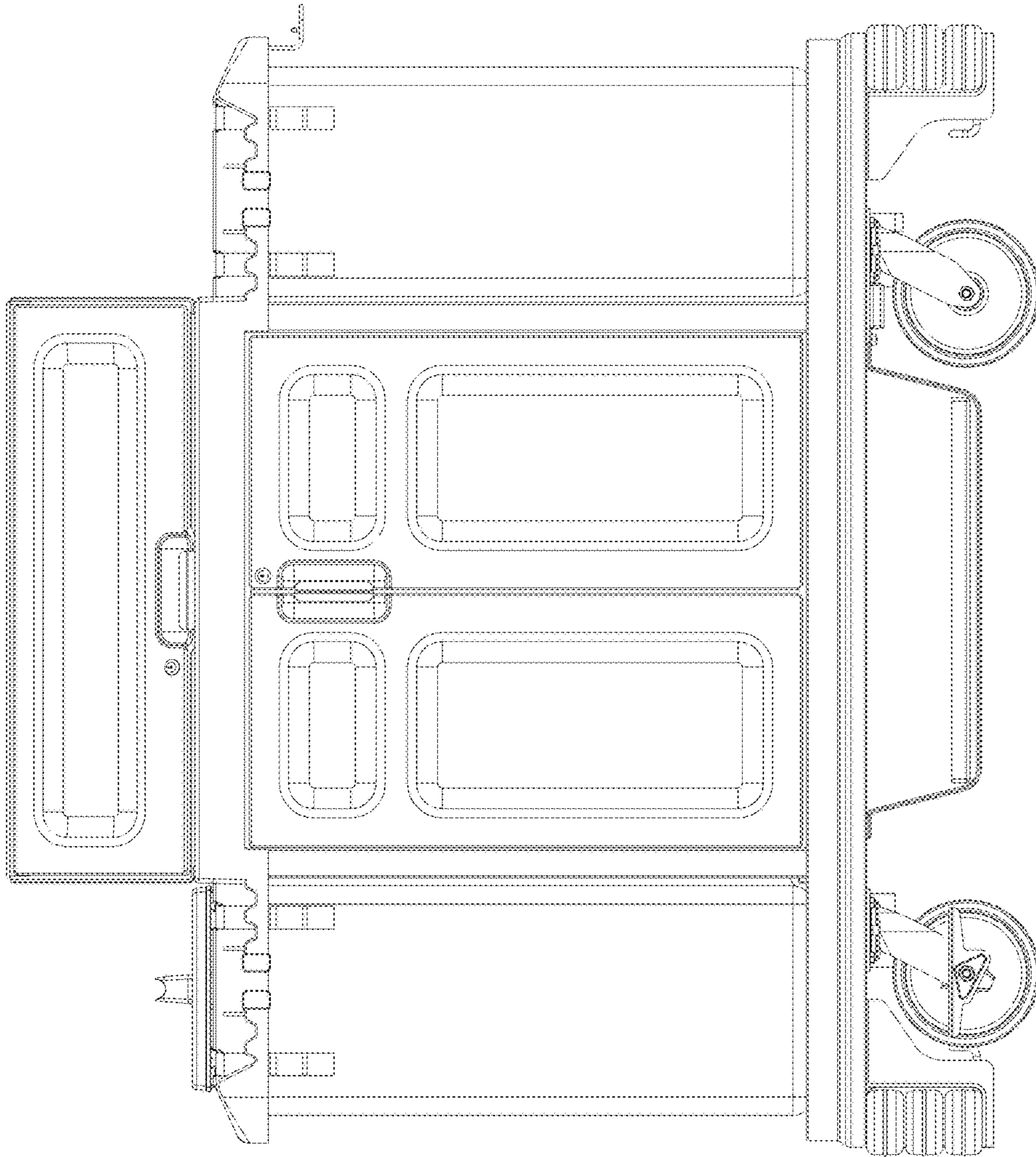


Fig. 6

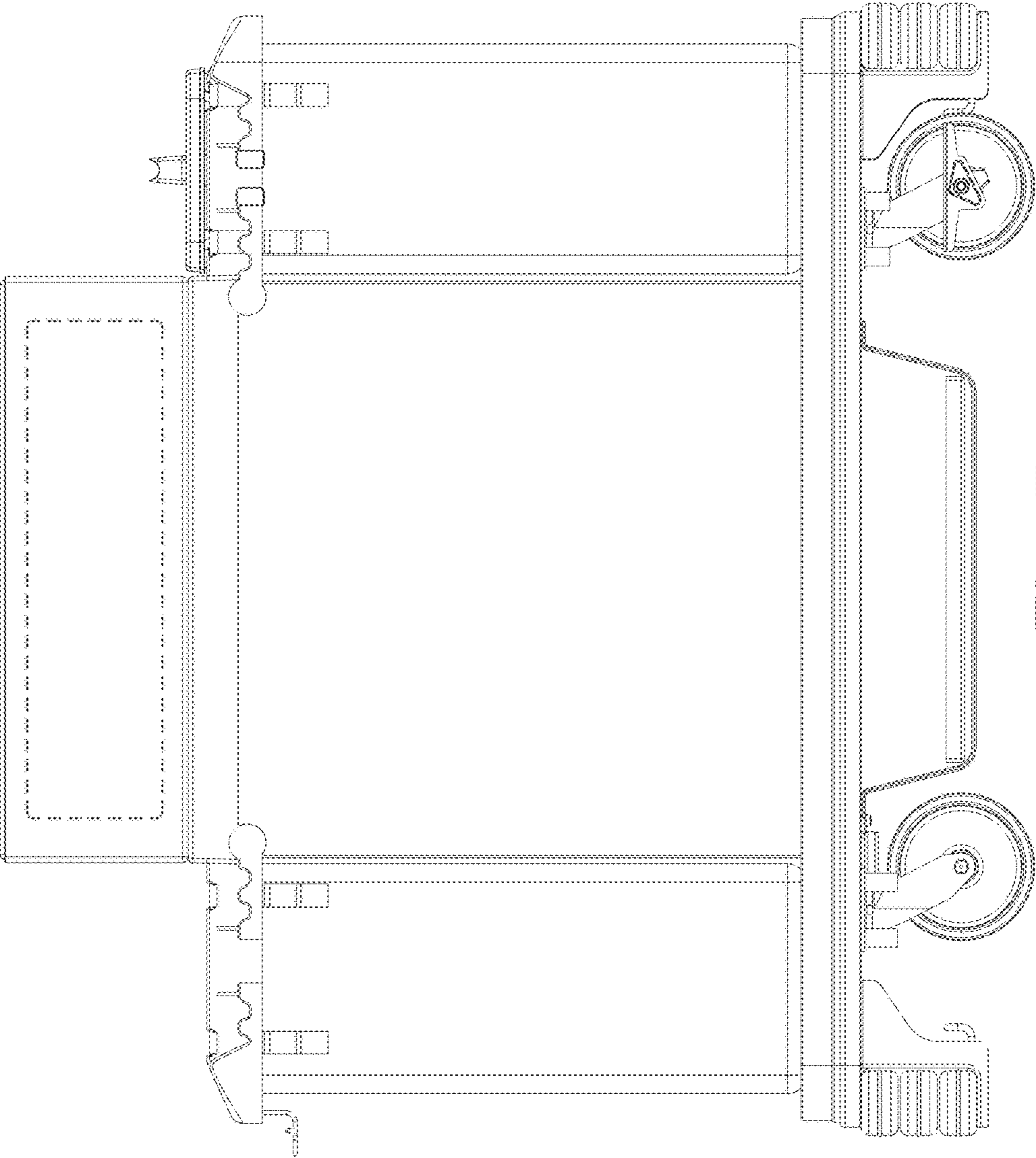


Fig. 7