



US00D817584S

(12) **United States Design Patent**
Phillips et al.

(10) **Patent No.:** **US D817,584 S**
(45) **Date of Patent:** **** May 8, 2018**

(54) **UTILITY CART**

D618,418 S * 6/2010 Catron D34/12
D618,419 S * 6/2010 Catron D34/12
2004/0227315 A1* 11/2004 Van LANDINGHAM,
Jr. A47B 31/00
280/47.35

(71) Applicant: **Suncast Technologies, LLC**, Palm
Beach Gardens, FL (US)

(72) Inventors: **William J. Phillips**, Batavia, IL (US);
Michael R. Vogler, Oswego, IL (US)

* cited by examiner

Primary Examiner — Cynthia Ramirez

(73) Assignee: **Suncast Technologies, LLC**, Palm
Beach Gardens, FL (US)

(74) *Attorney, Agent, or Firm* — McHale & Slavin, P.A.

(**) Term: **15 Years**

(57) **CLAIM**

(21) Appl. No.: **29/584,024**

The ornamental design for a utility cart, as shown and described.

(22) Filed: **Nov. 10, 2016**

DESCRIPTION

(51) **LOC (11) Cl.** **12-02**

(52) **U.S. Cl.**
USPC **D34/21**

(58) **Field of Classification Search**
USPC D34/12-27; 280/641, 47.35, 79.3
CPC B62B 2205/06; B62B 3/02; B62B 3/027;
B62B 3/10; B62B 3/006
See application file for complete search history.

FIG. 1 is a top right front isometric view of the utility cart of the present invention;
FIG. 2 is a top right rear isometric view thereof;
FIG. 3 is a bottom right front isometric view thereof;
FIG. 4 is a bottom right rear isometric view thereof;
FIG. 5 is a top view thereof;
FIG. 6 is a bottom view thereof;
FIG. 7 is a left side view thereof;
FIG. 8 is a right side view thereof;
FIG. 9 is a front view thereof; and,
FIG. 10 is a rear view thereof.

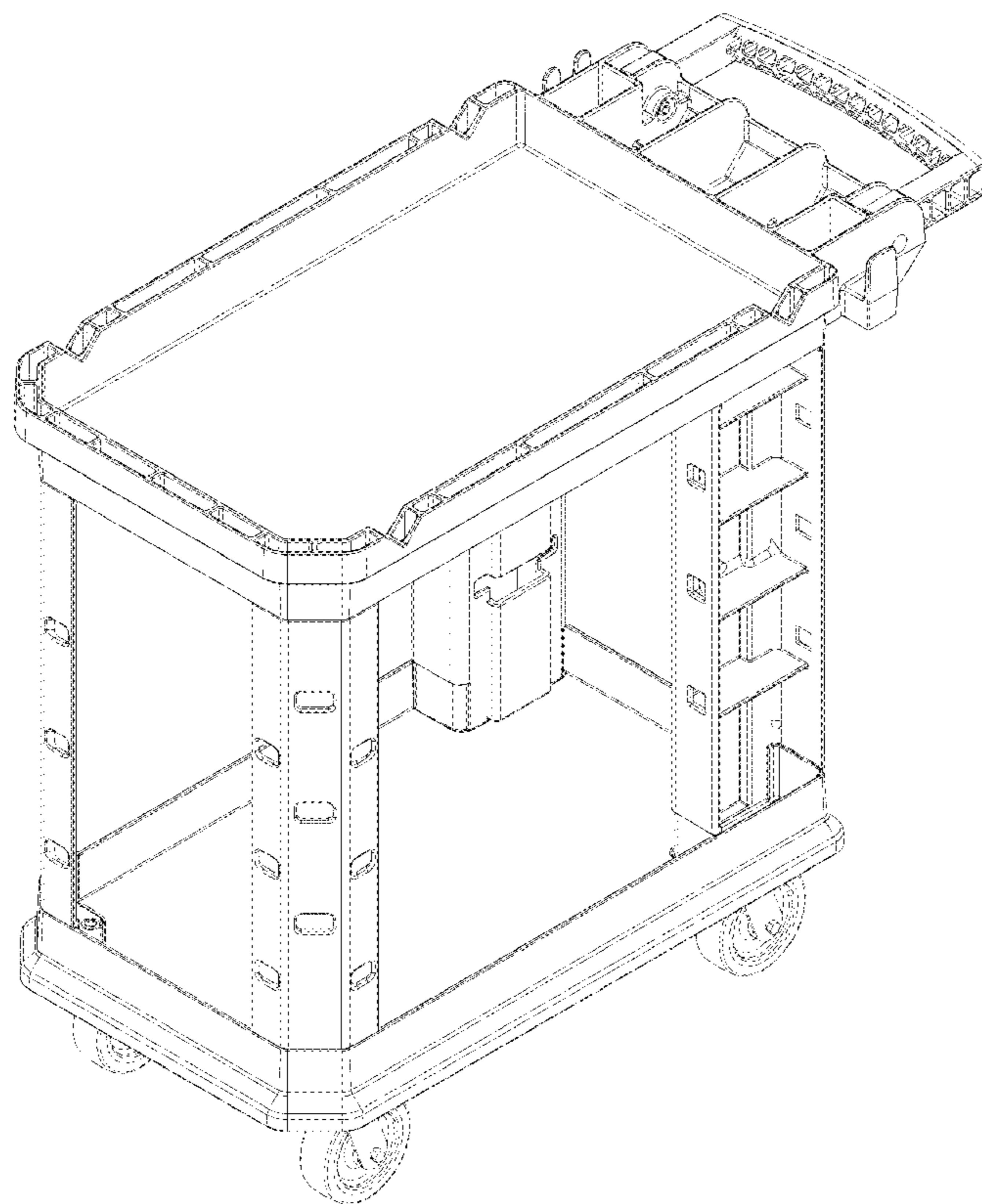
The portions of the utility cart illustrated in broken lines form no part of the claim.

(56) **References Cited**

U.S. PATENT DOCUMENTS

D391,032 S * 2/1998 Delmerico D34/20
D487,604 S * 3/2004 Van LANDINGHAM, Jr. D34/12
D578,269 S * 10/2008 Van LANDINGHAM, Jr. D34/17

1 Claim, 10 Drawing Sheets



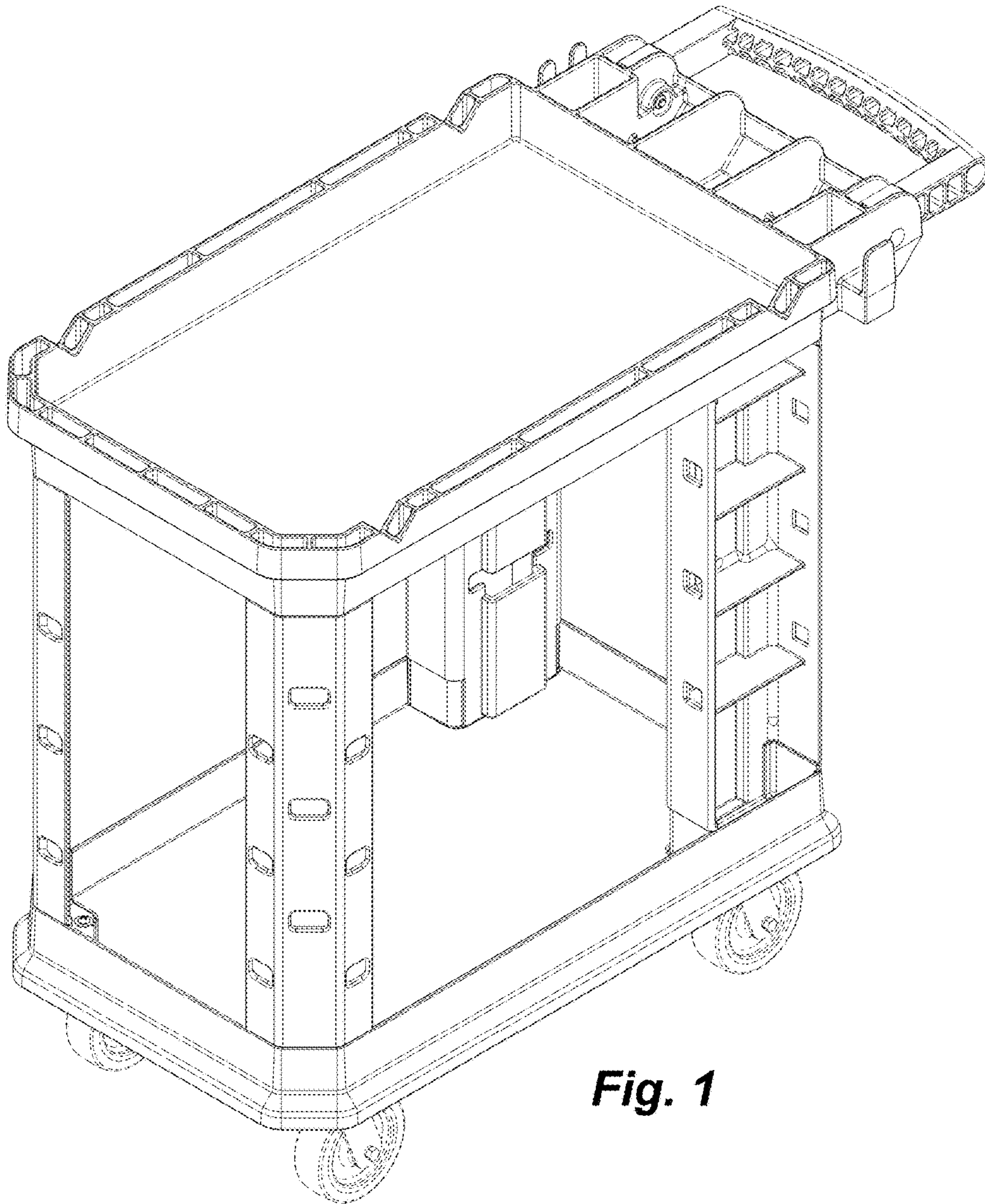


Fig. 1

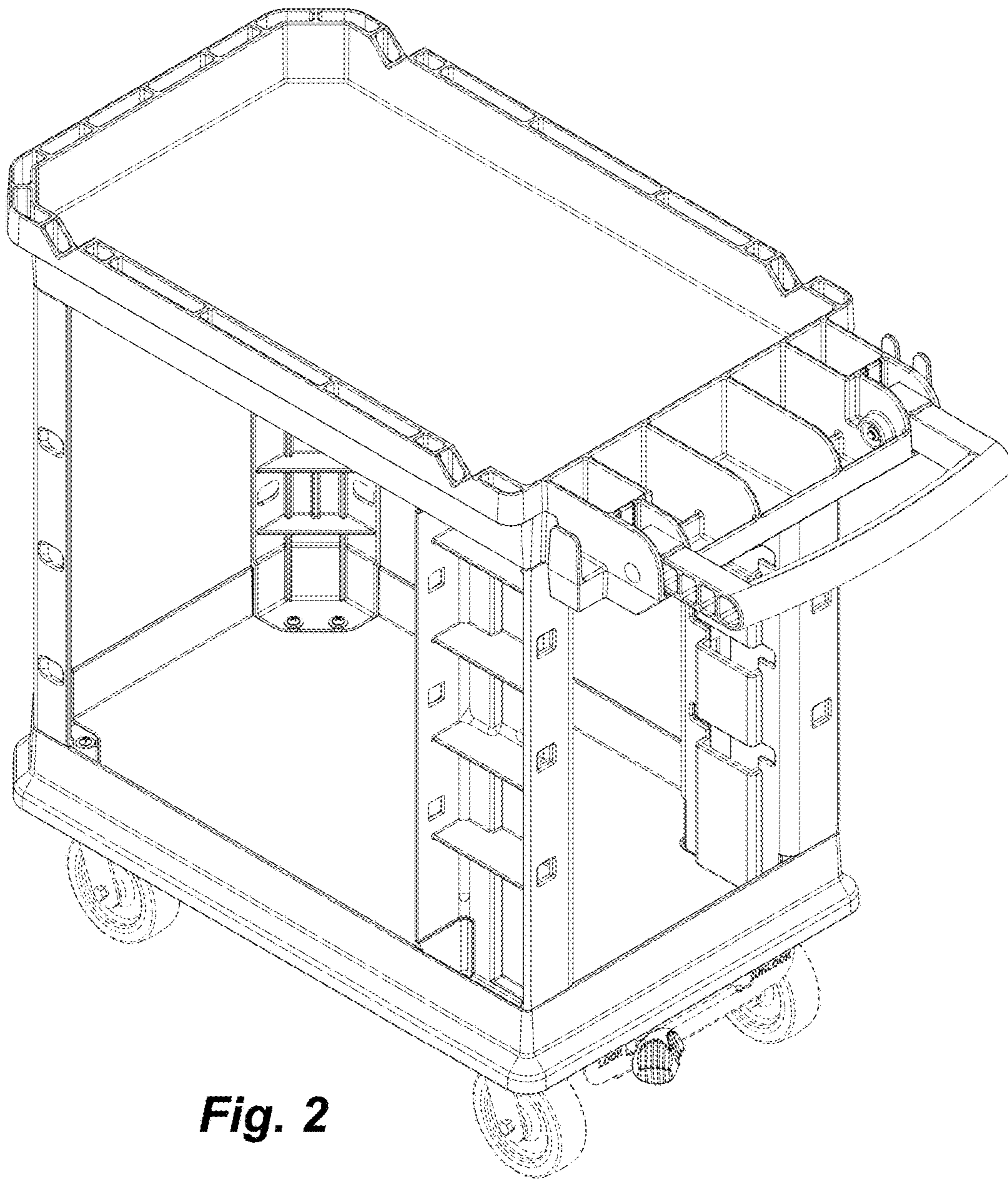


Fig. 2

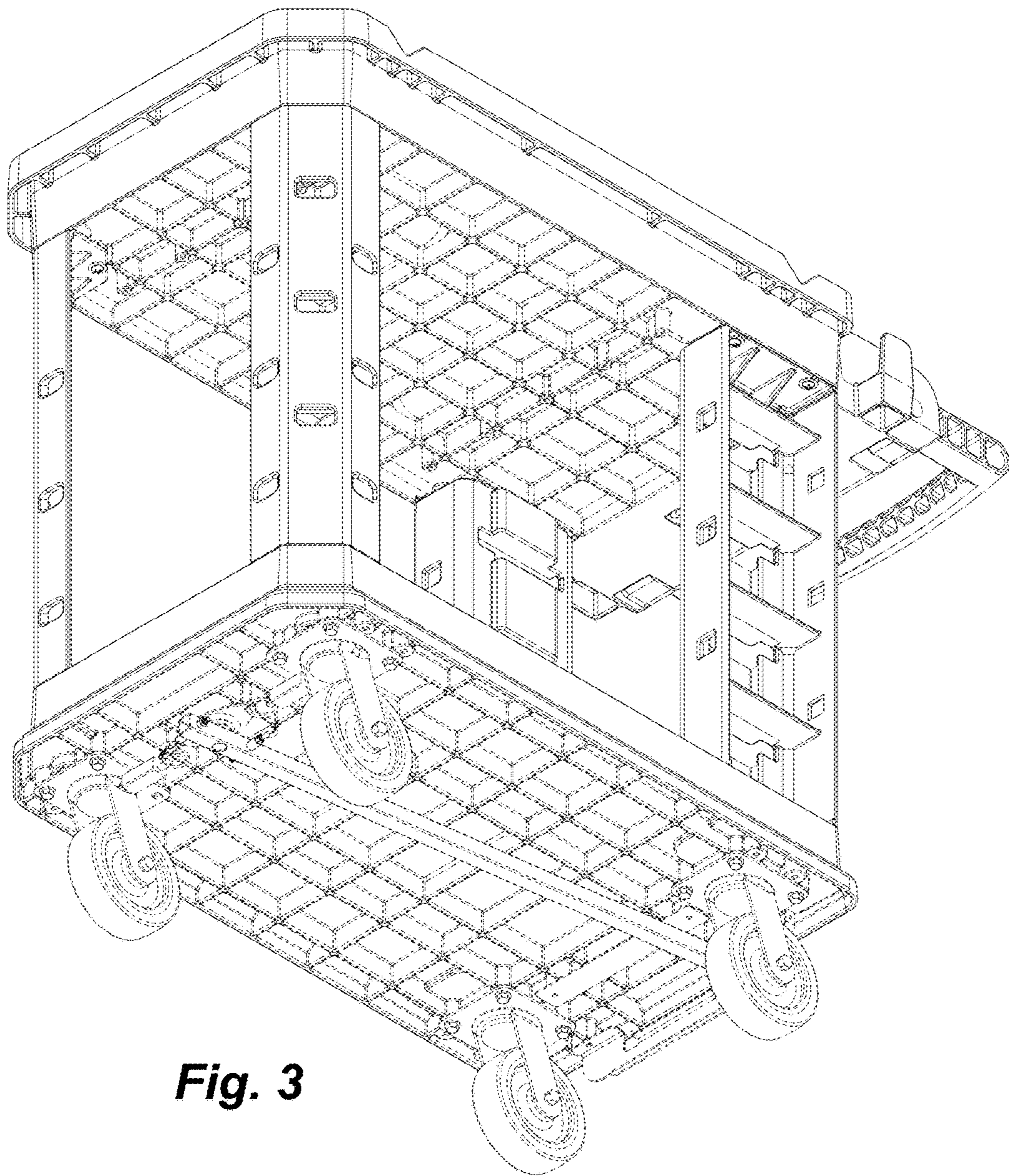


Fig. 3

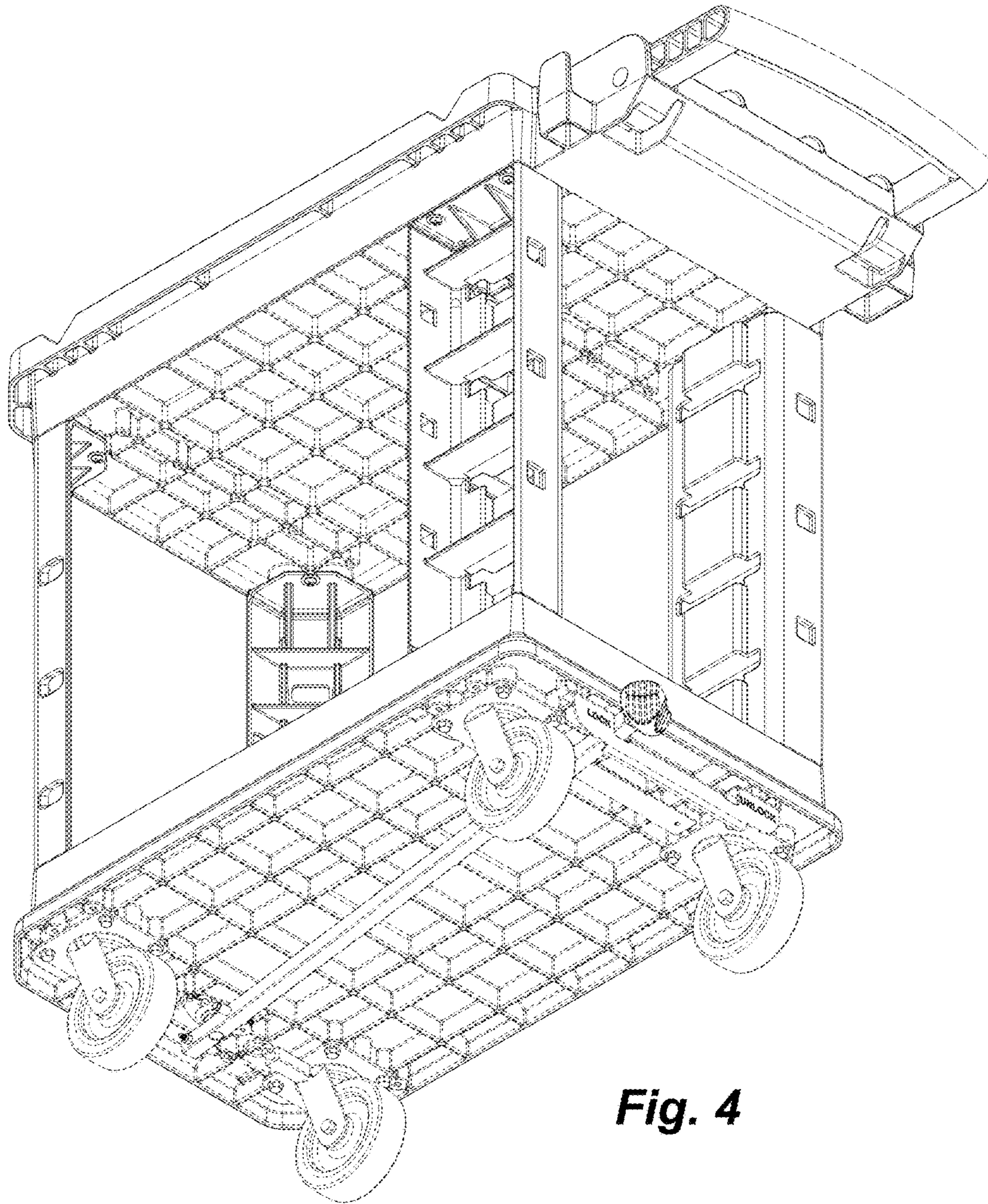


Fig. 4

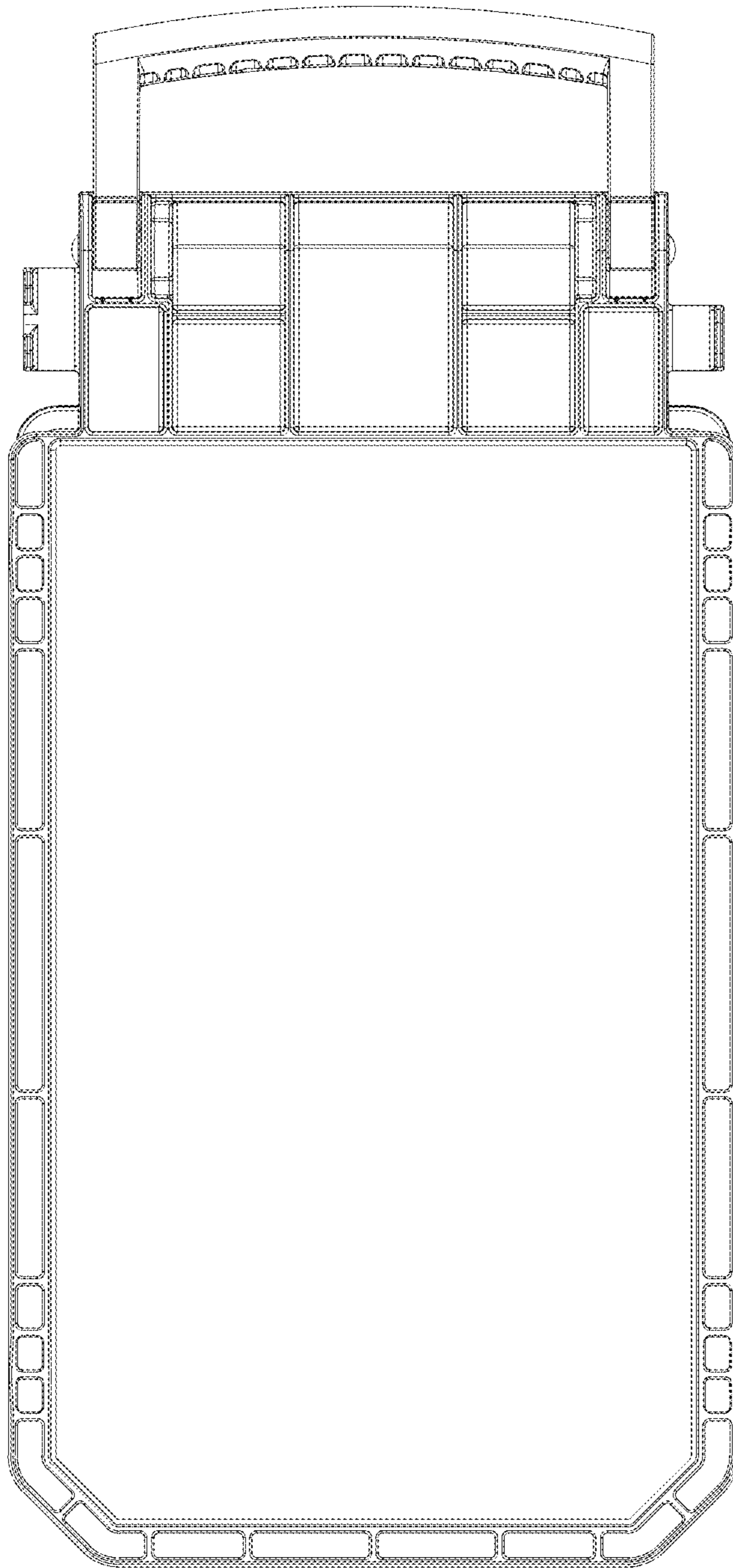


Fig. 5

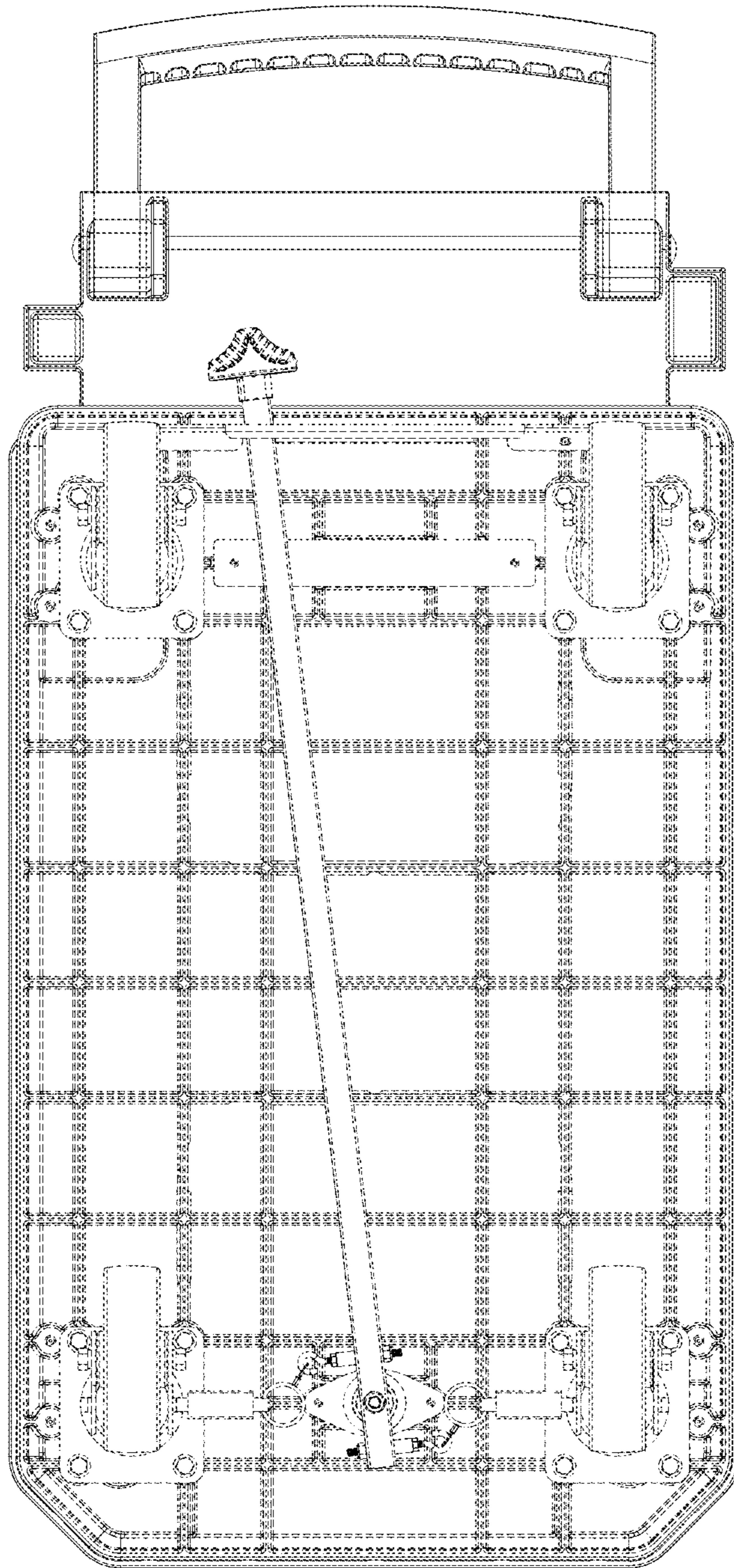


Fig. 6

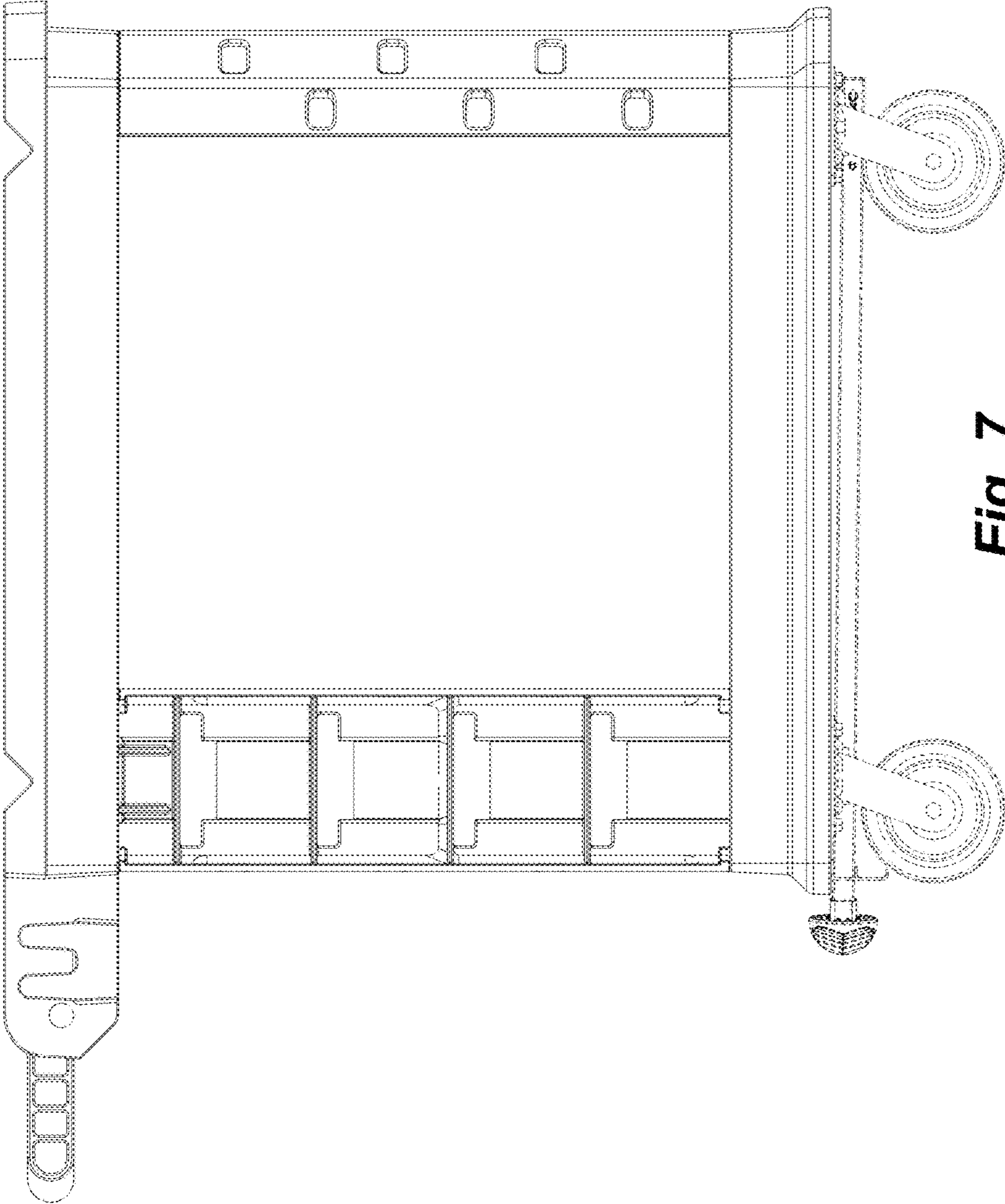


Fig. 7

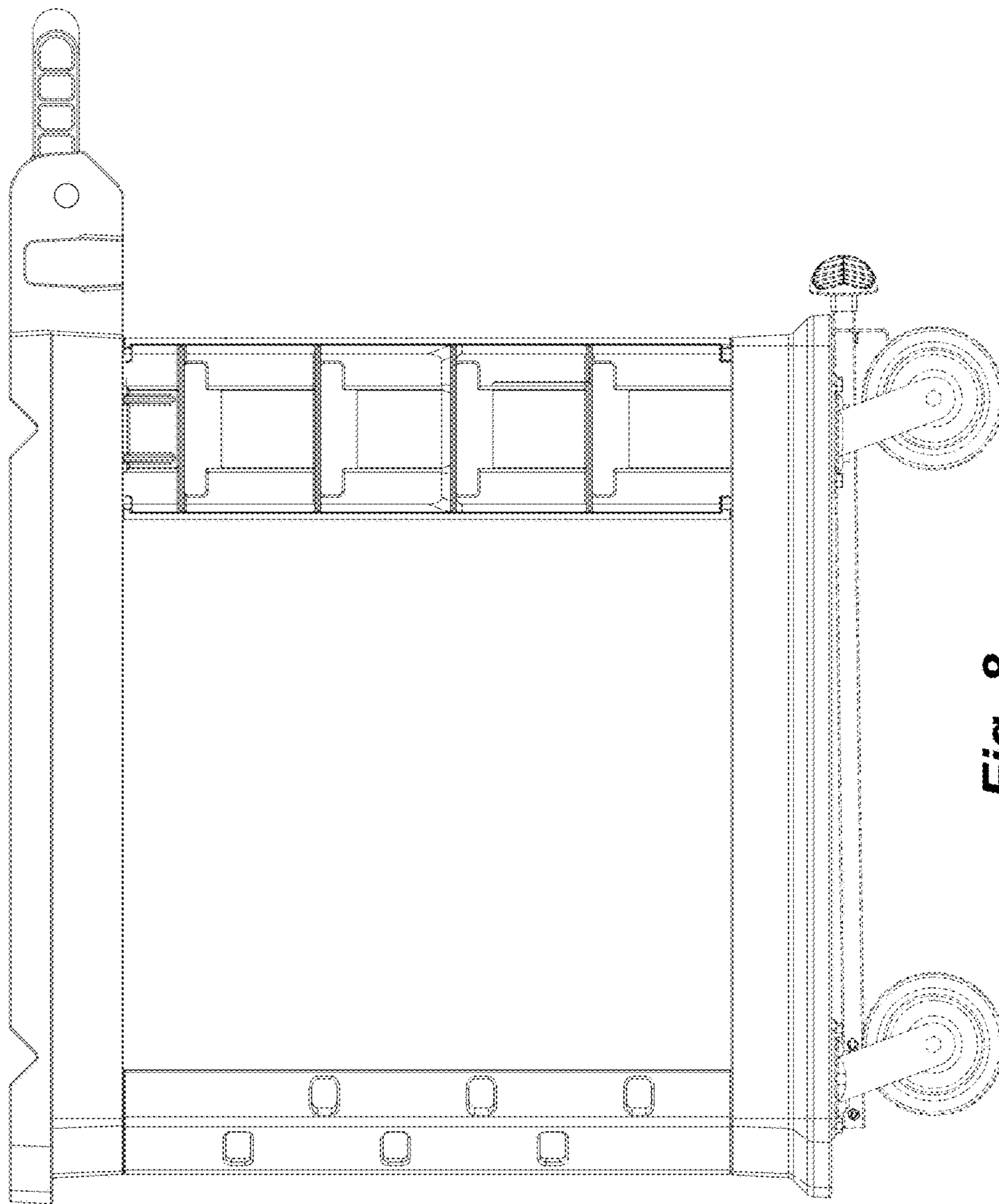


Fig. 8

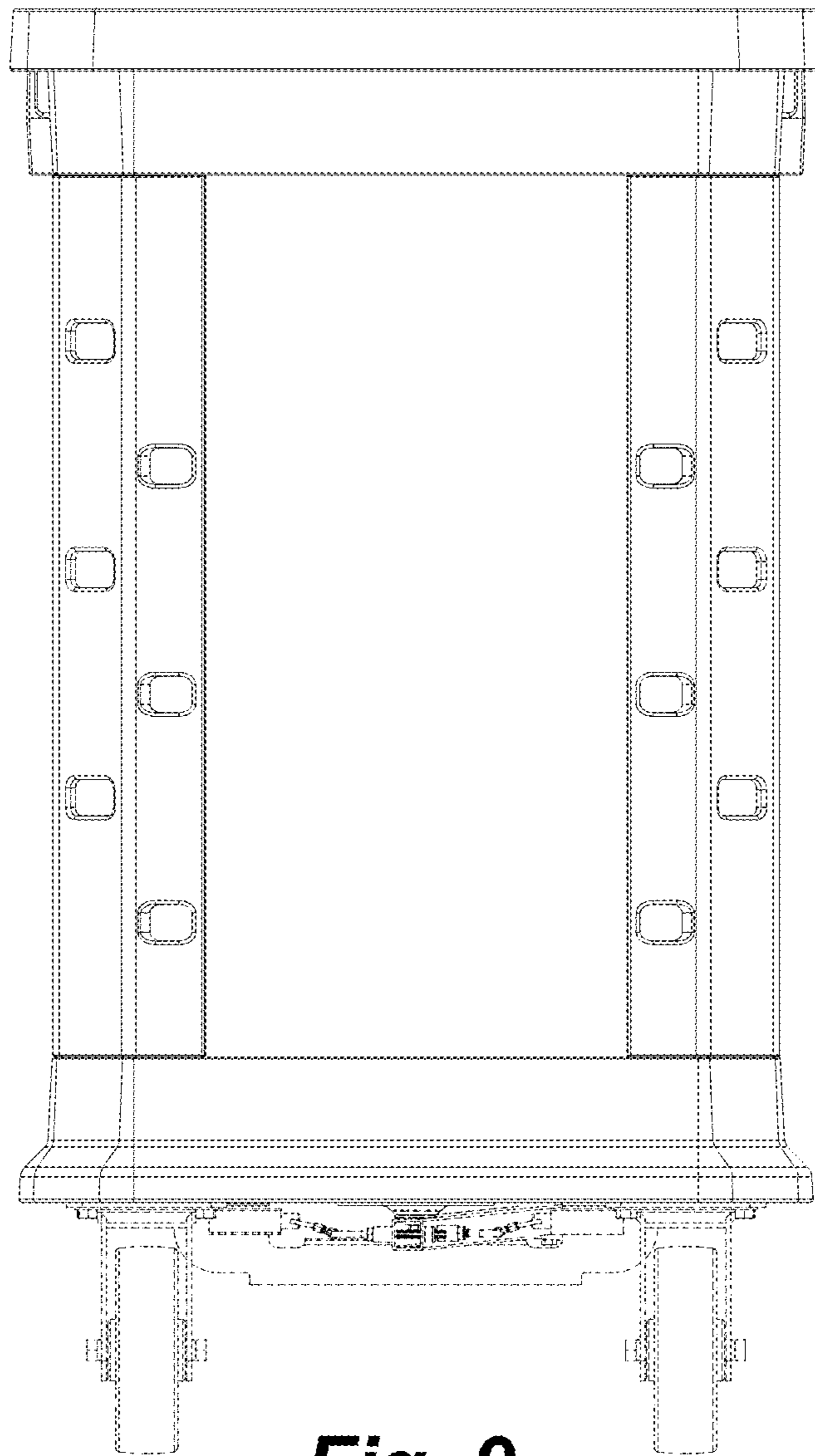


Fig. 9

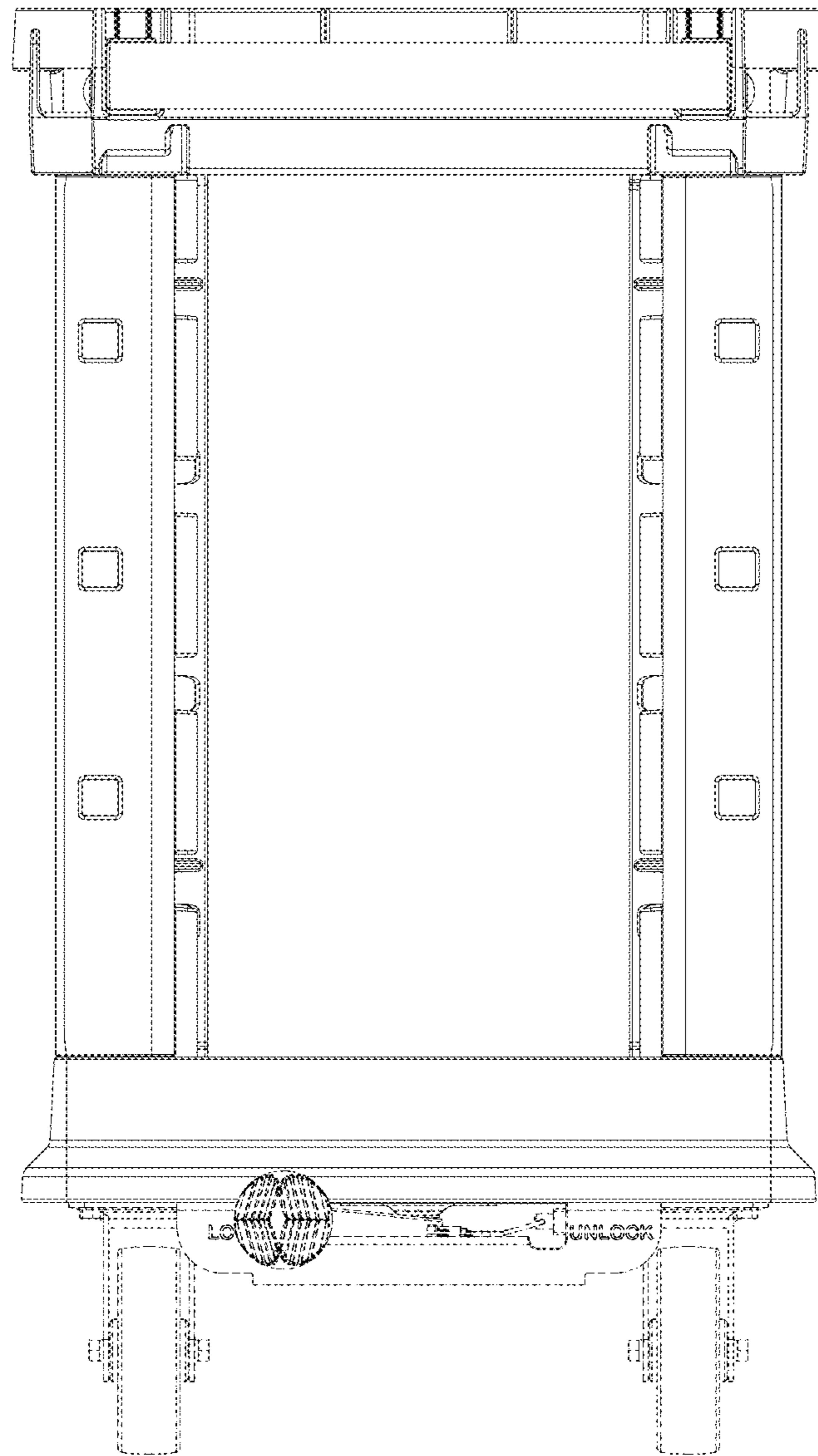


Fig. 10